

# MOC & build instructions by Dorian Bricktron

## dorianbricktron.com

LEGO is a trademark of the LEGO Group of companies which does not sponsor, authorize or endorse my work.





# **CAUTION**

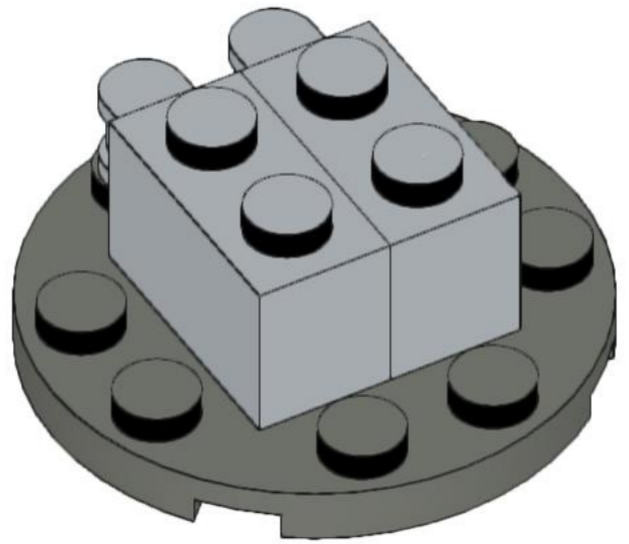
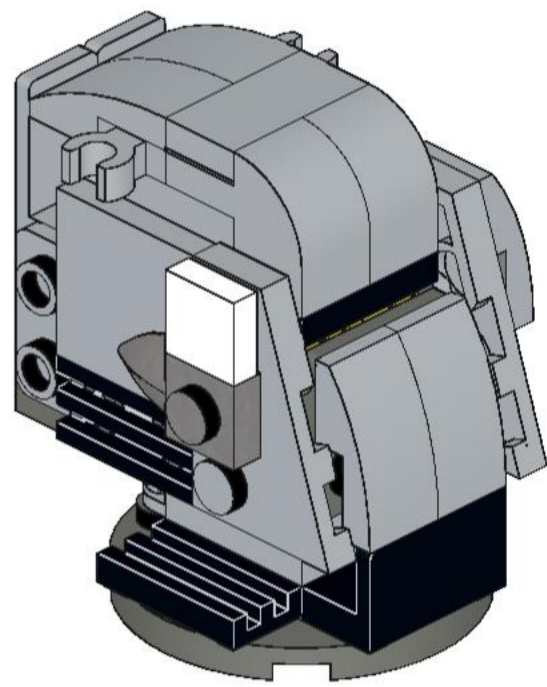
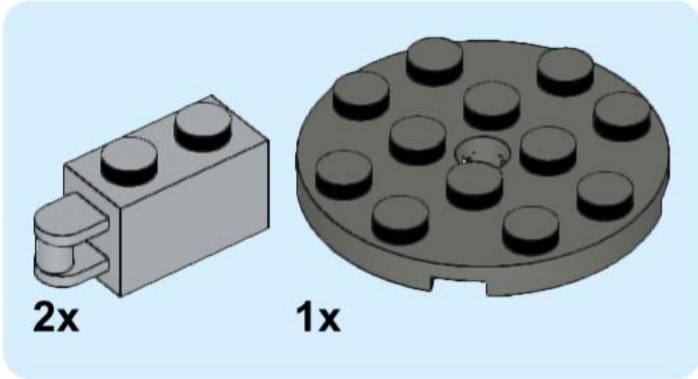
**SPECIFIC DESIGN  
NOT AS STURDY AS A REGULAR SET**

**MIGHT INCLUDE "ILLEGAL BUILDING  
TECHNIQUES" & WEAK CONNECTIONS**

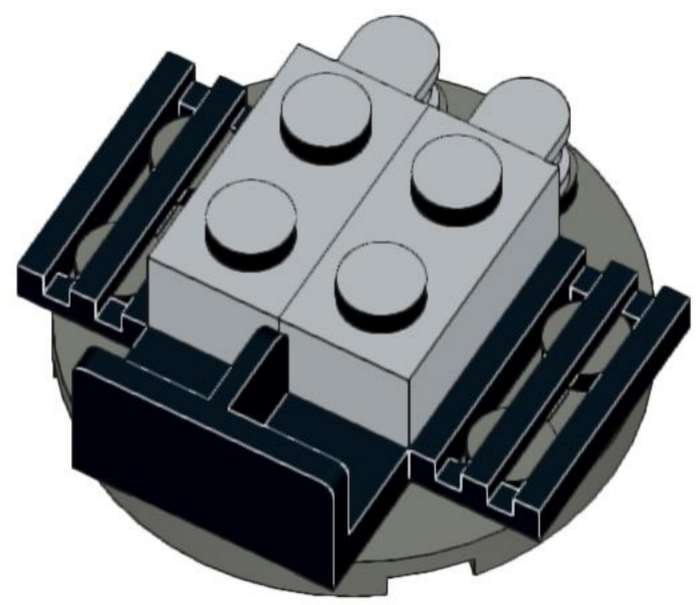
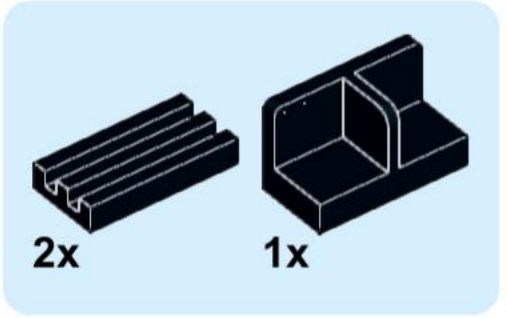
**BENDING OF THE MATERIALS CAN CAUSE  
PERMANENT DAMAGE**



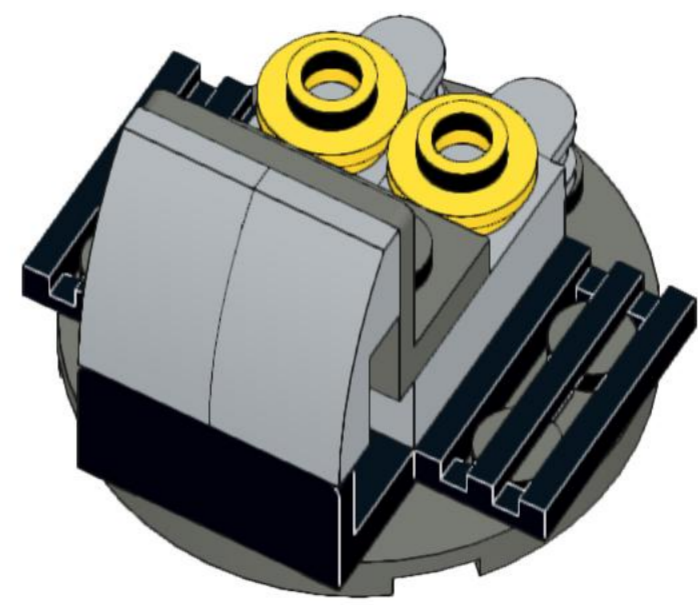
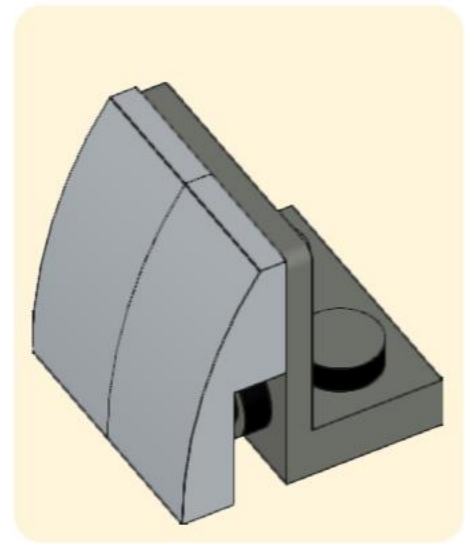
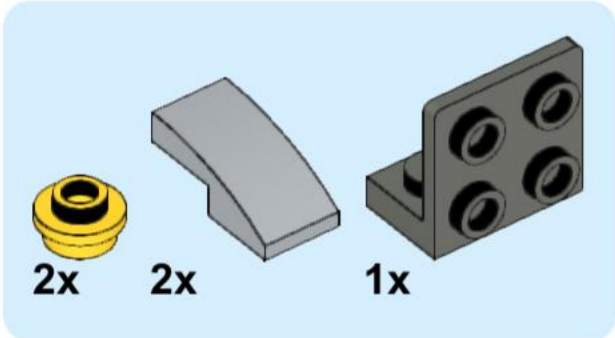
1



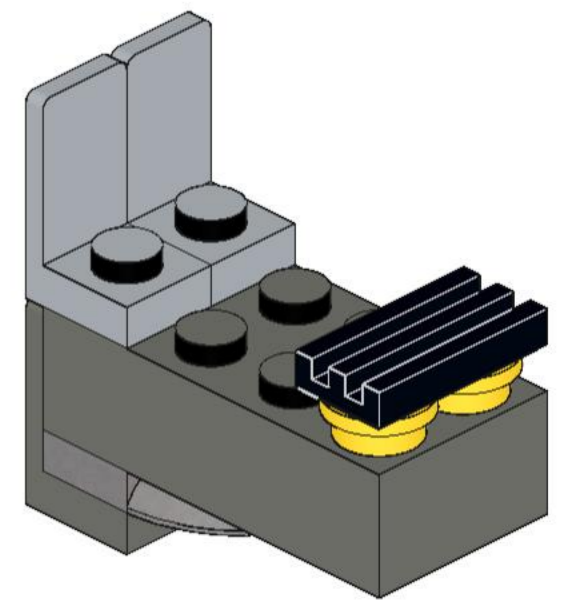
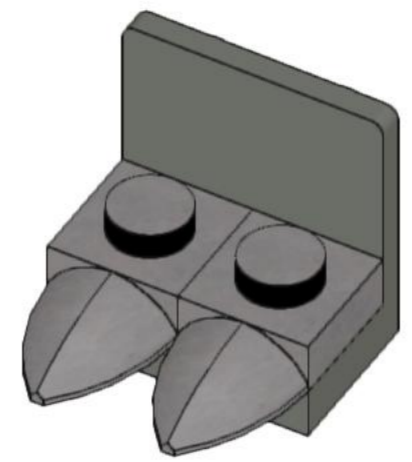
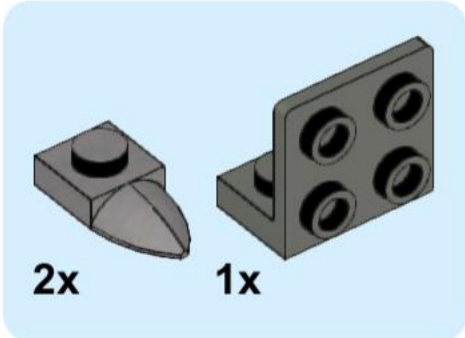
2



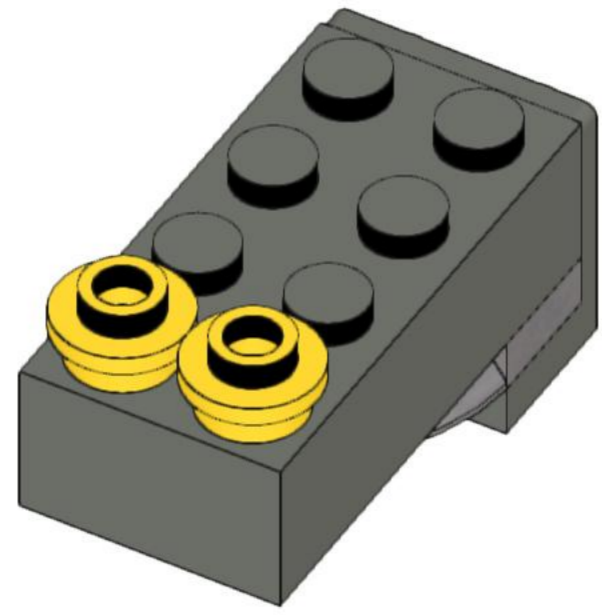
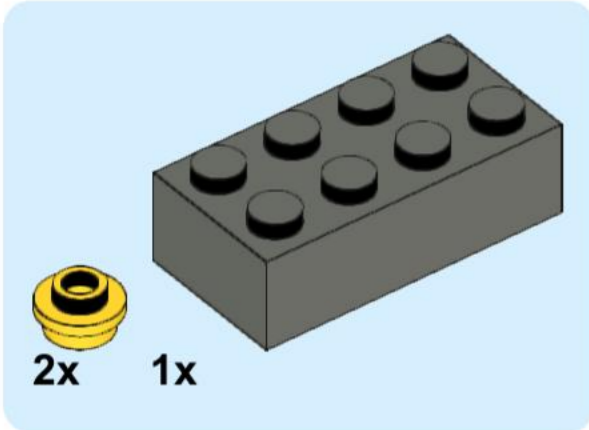
3



4

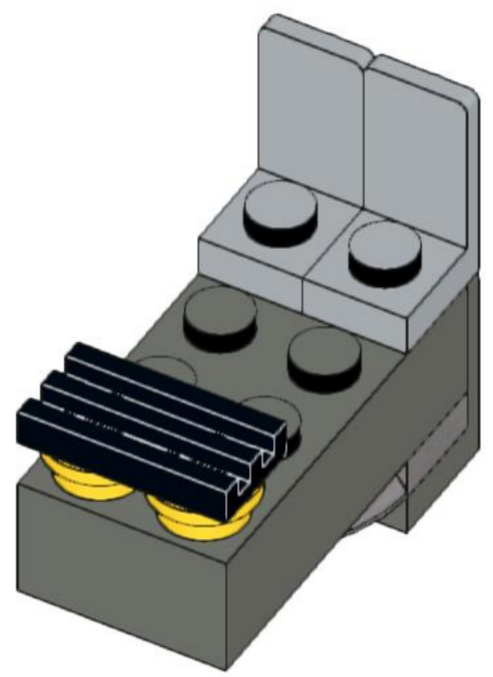
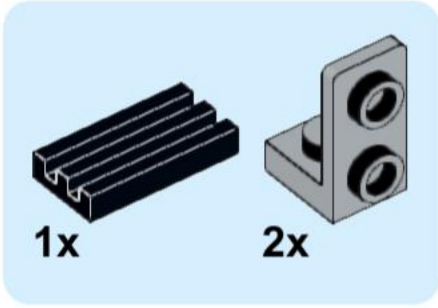


5

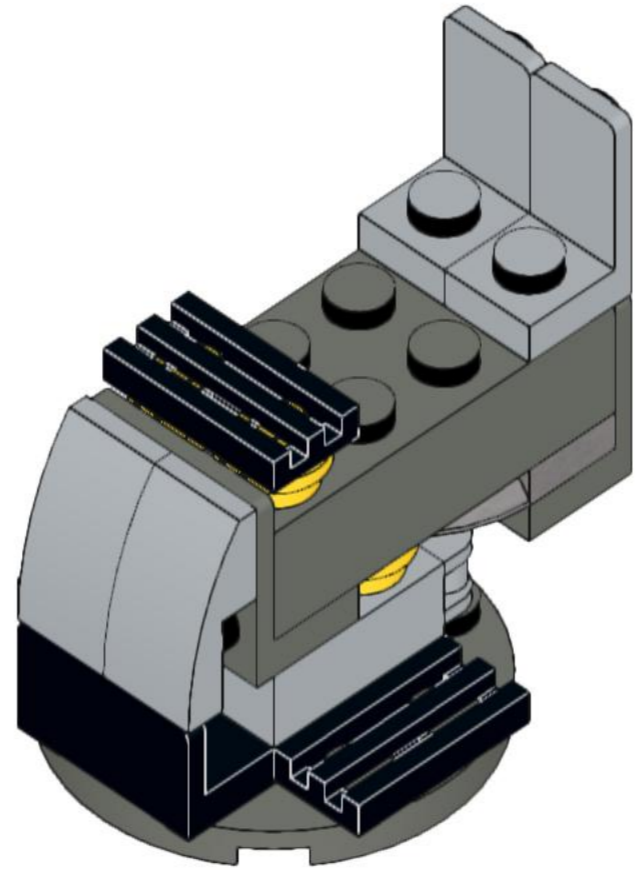




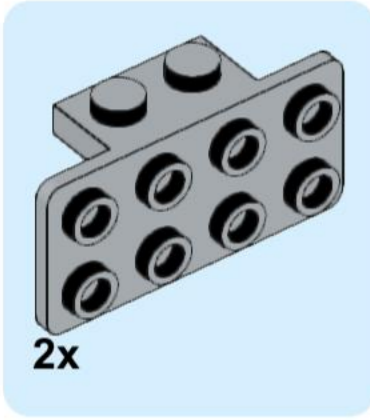
6



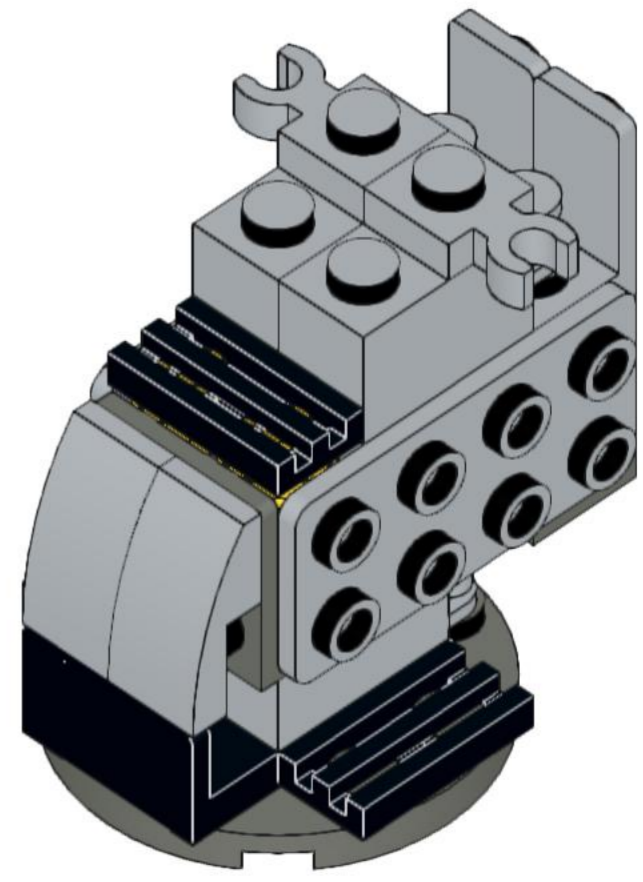
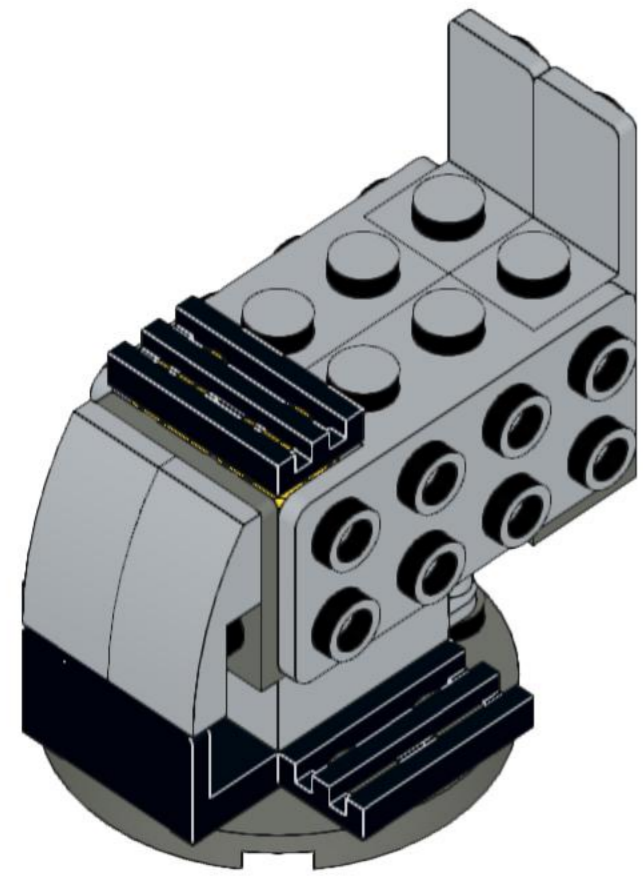
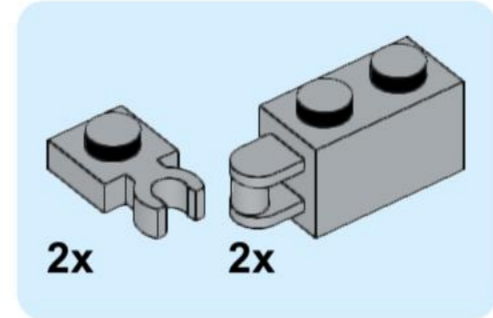
7



8

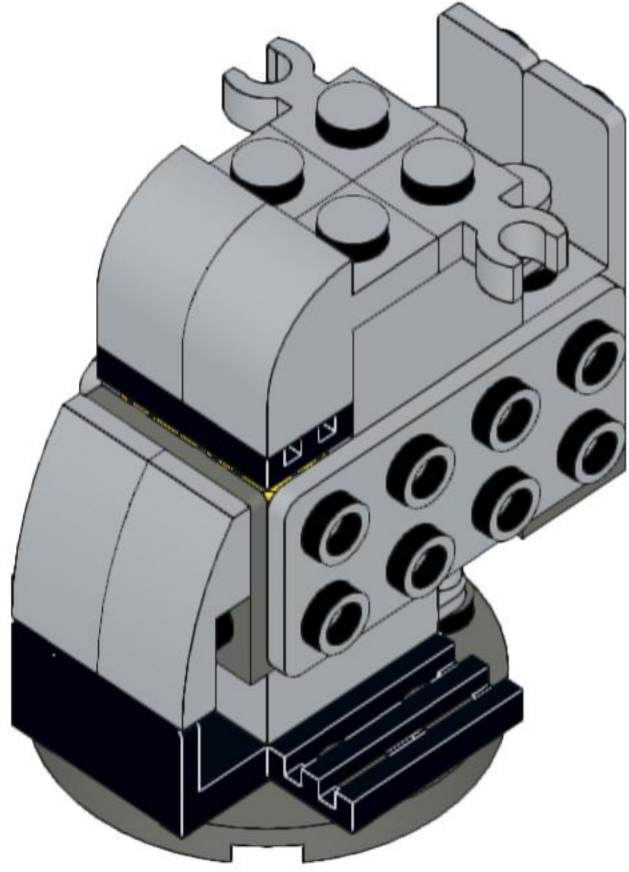
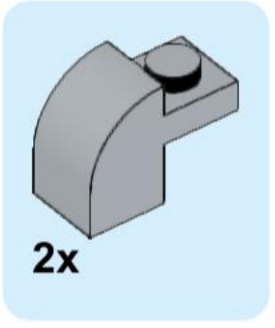


9

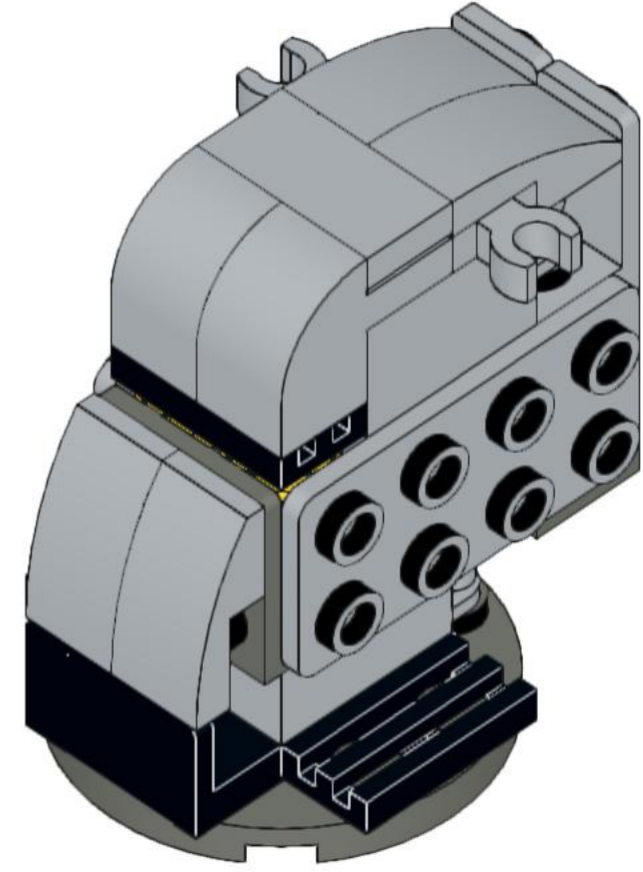
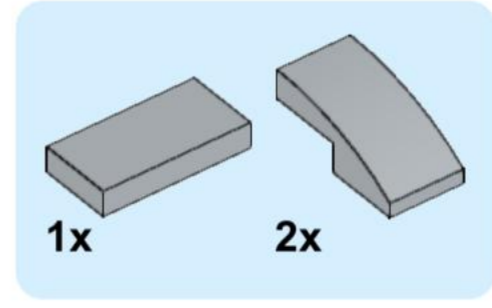




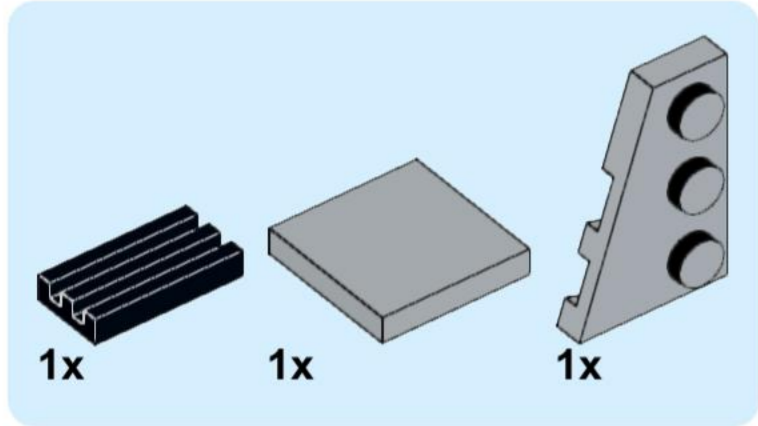
10



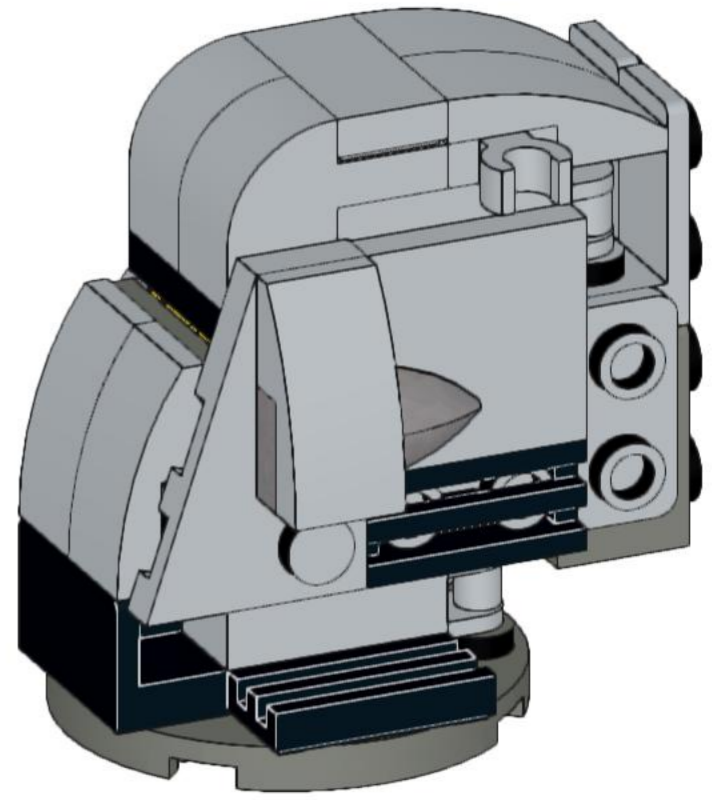
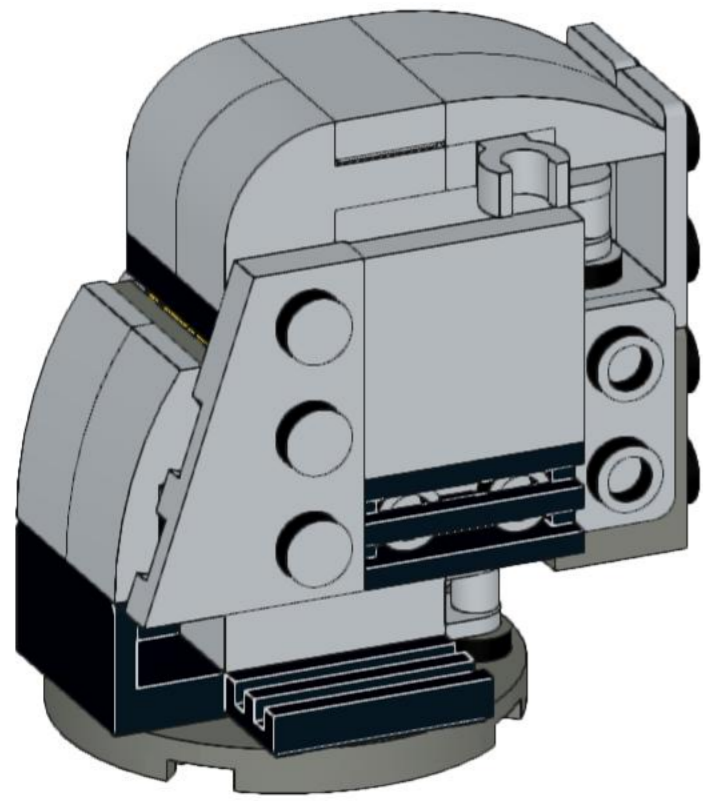
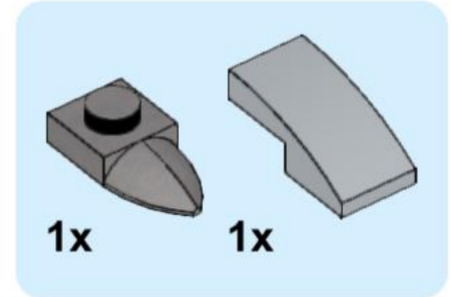
11



12

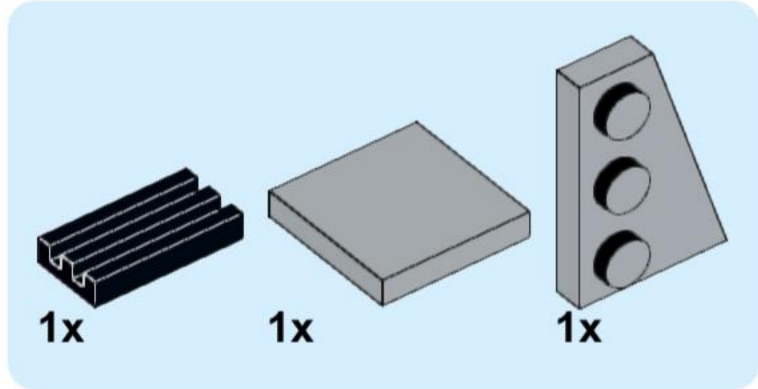


13

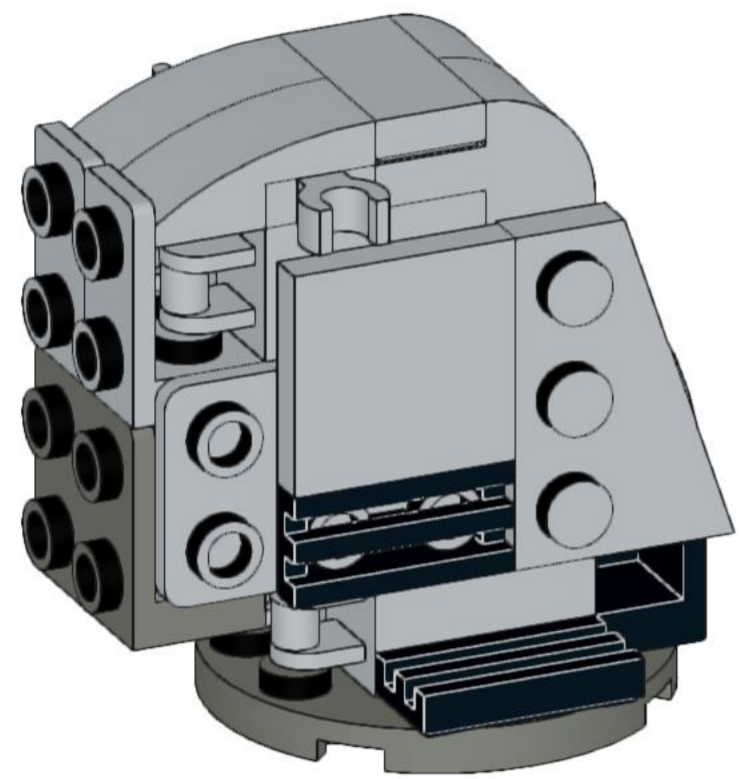
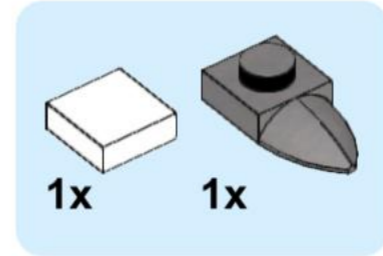




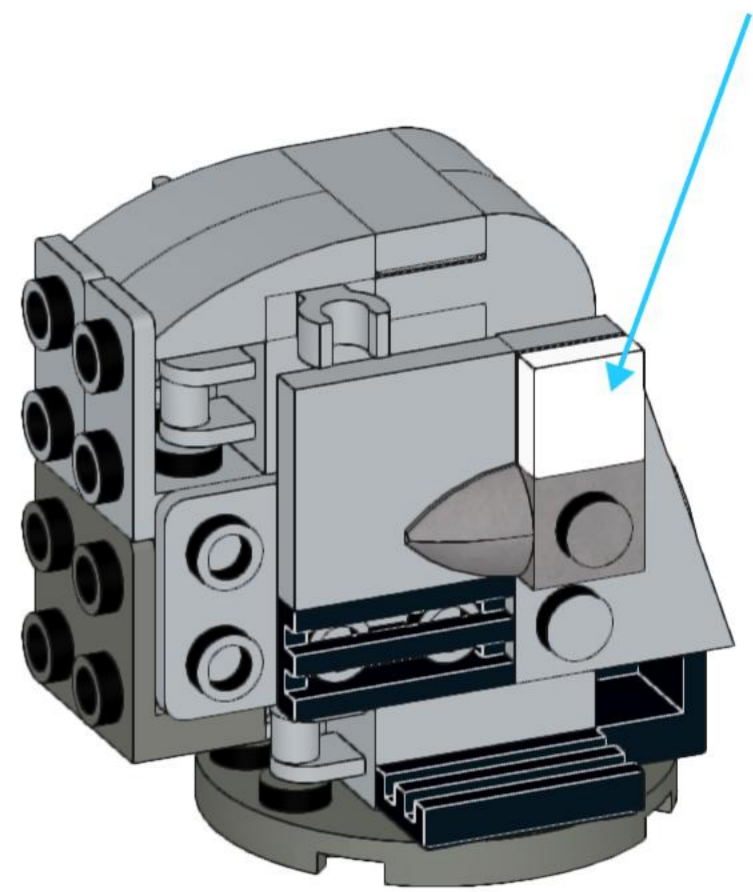
14

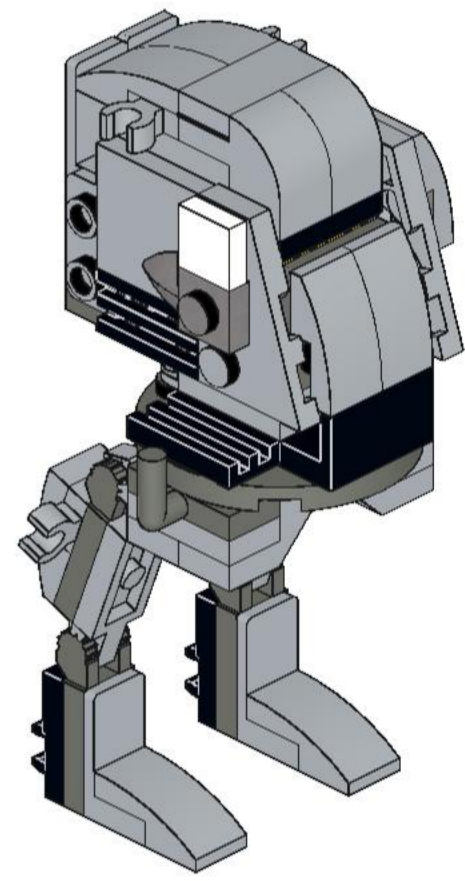
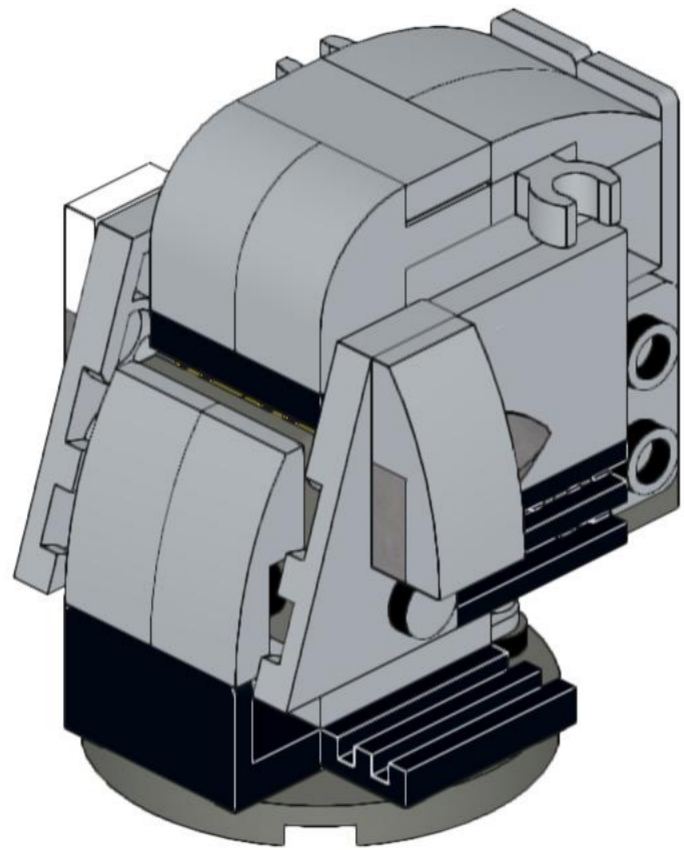


15

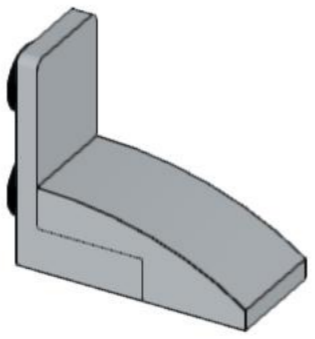
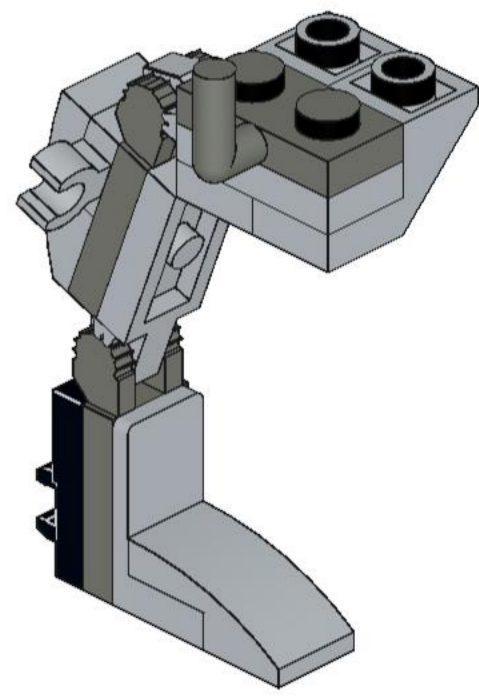
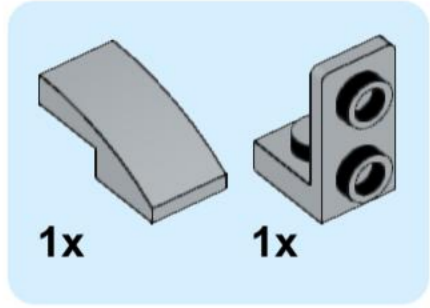


(from the spare parts)

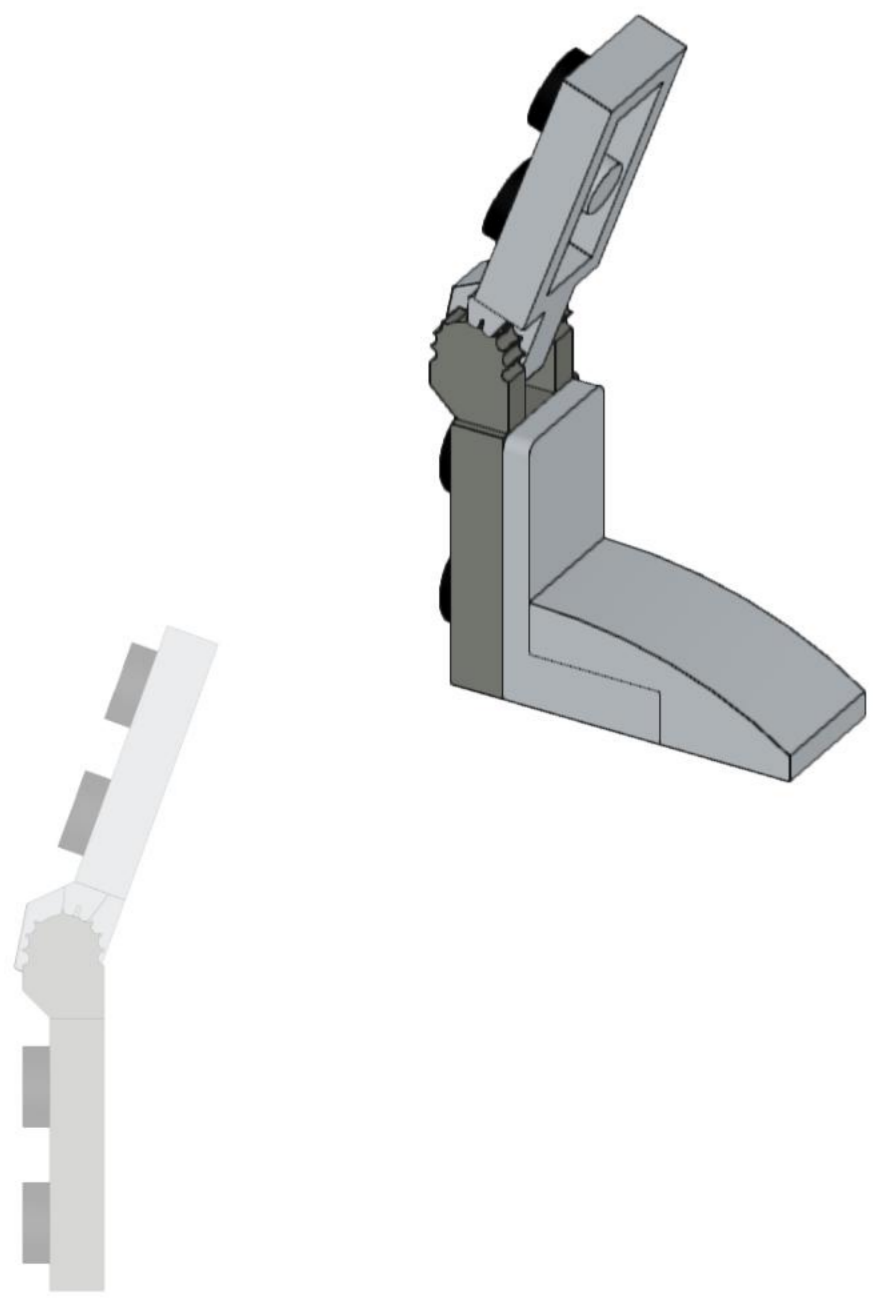
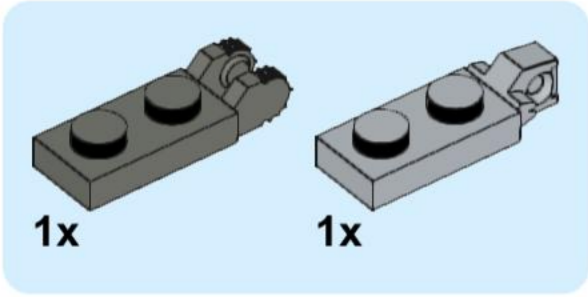




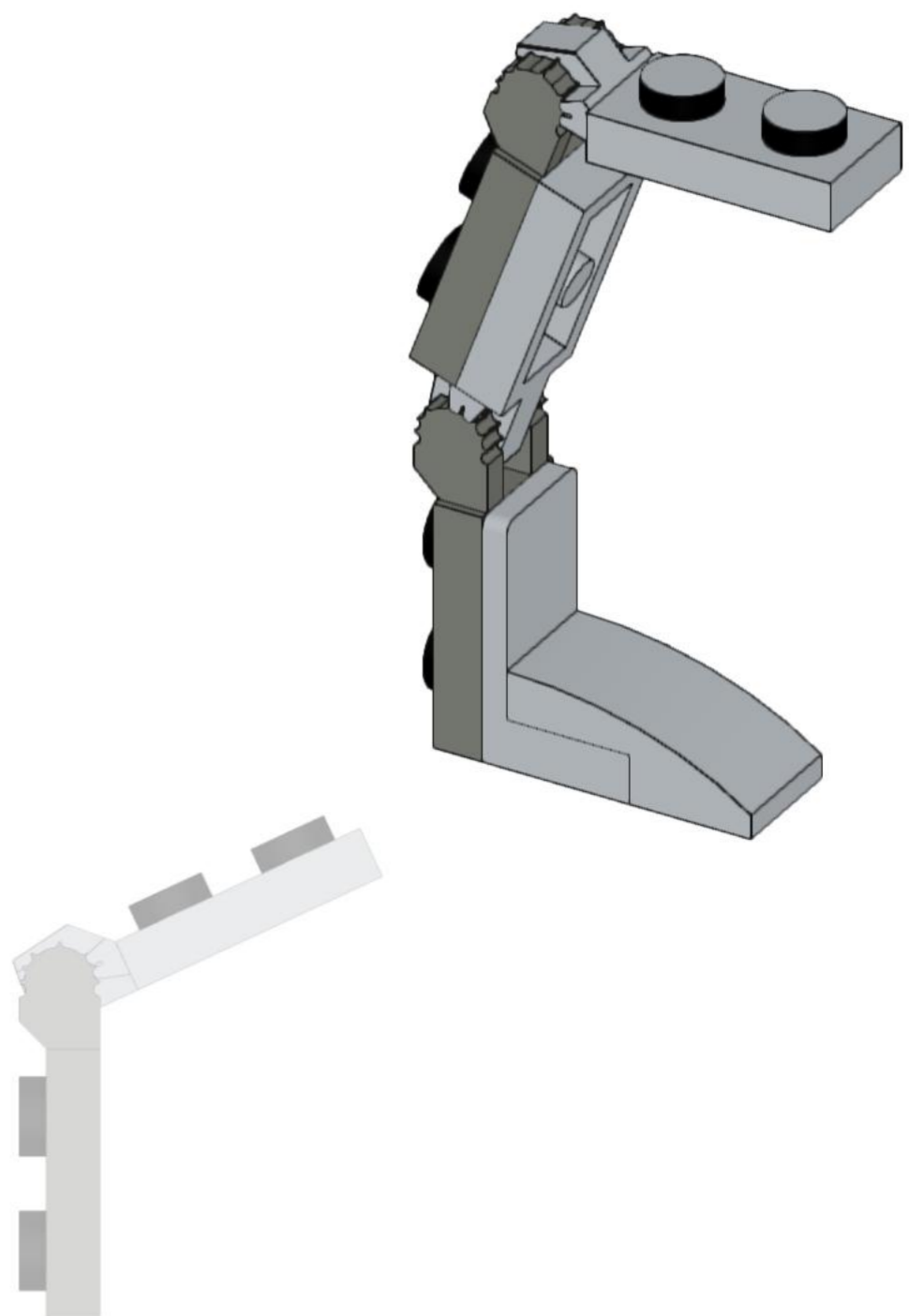
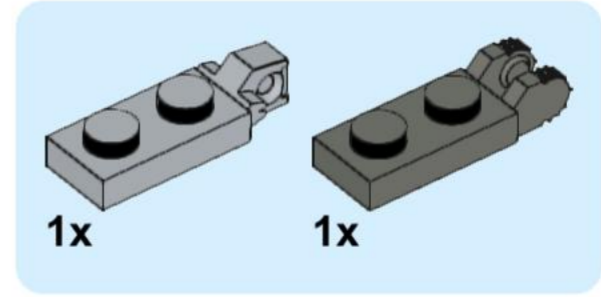




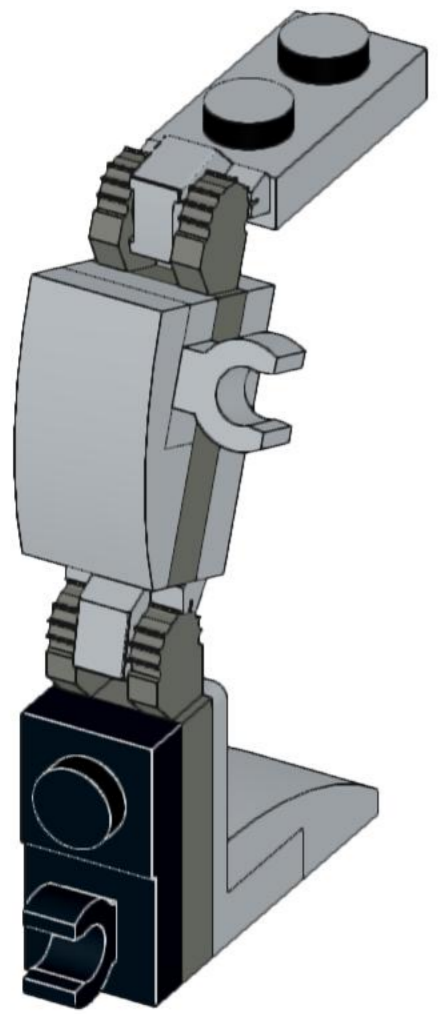
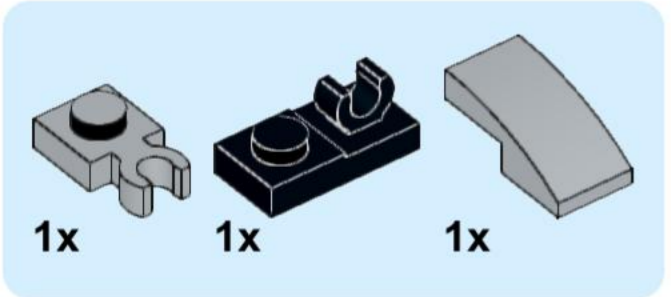
18



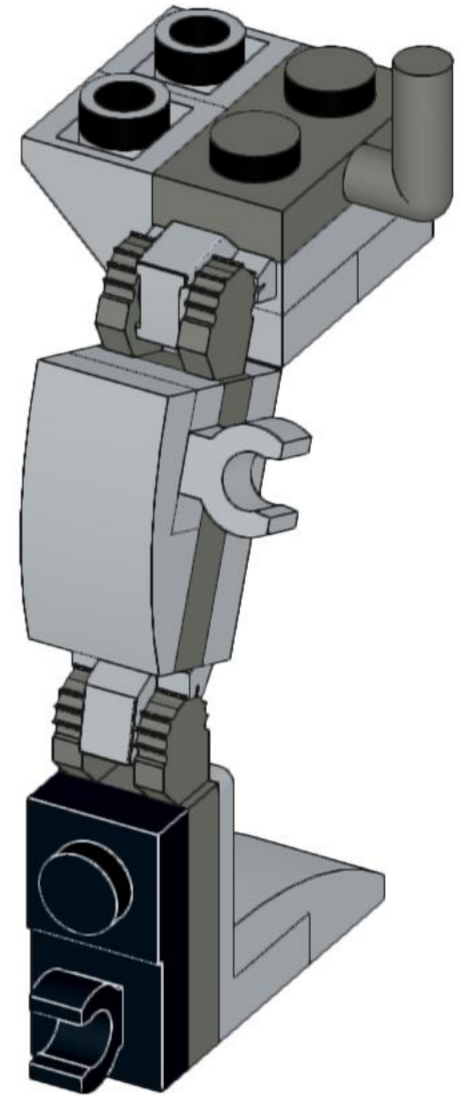
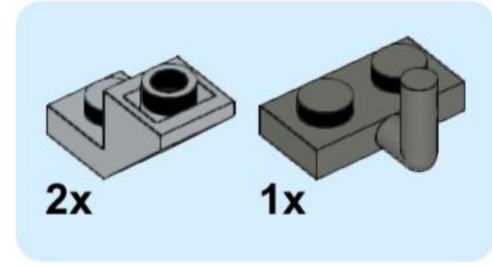
19



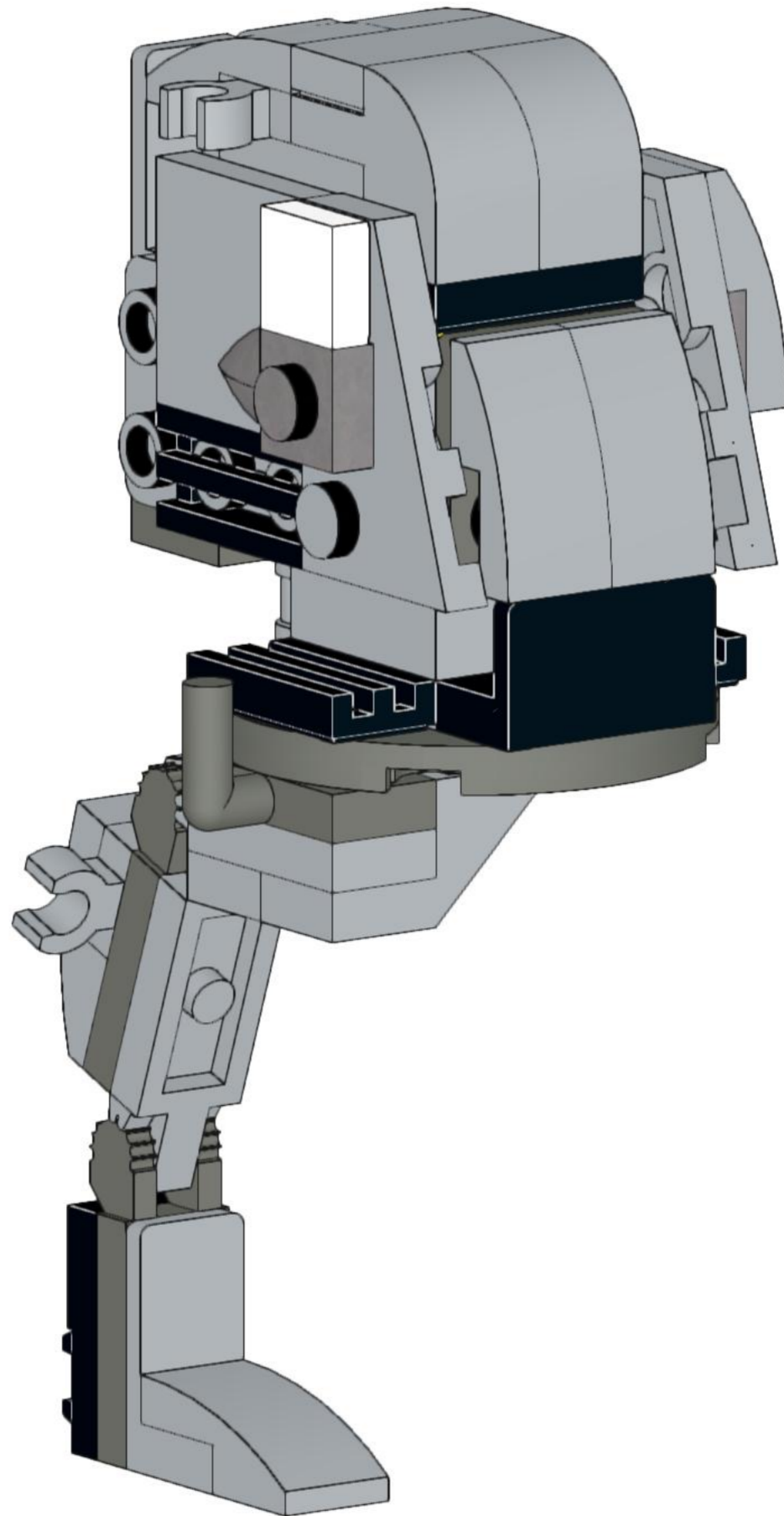
20

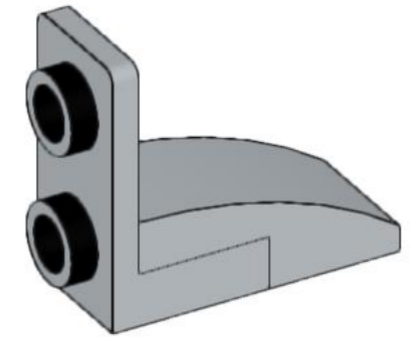
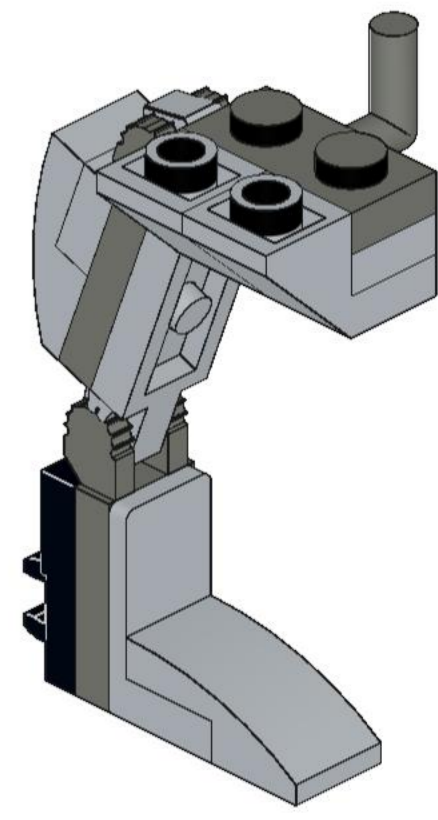
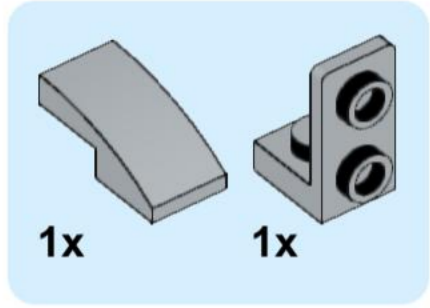


21

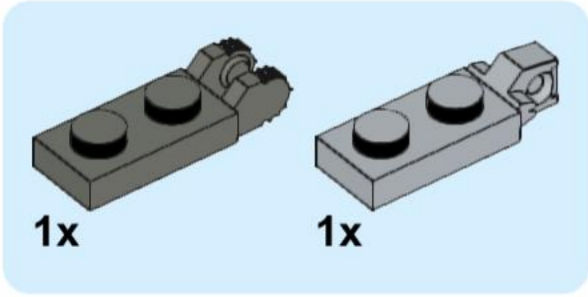




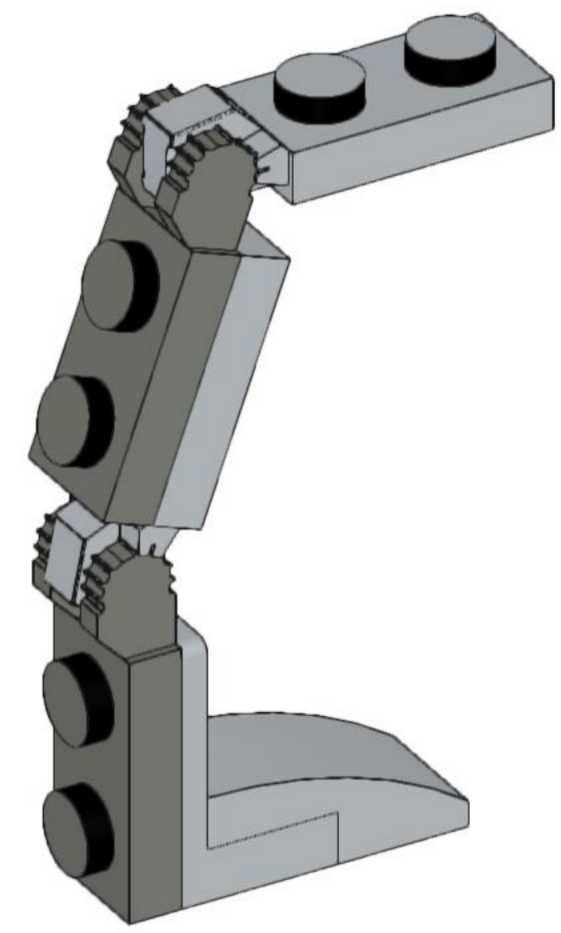
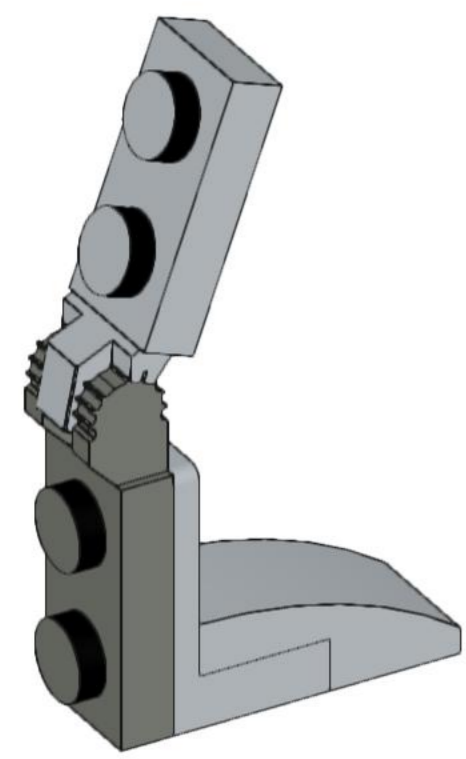
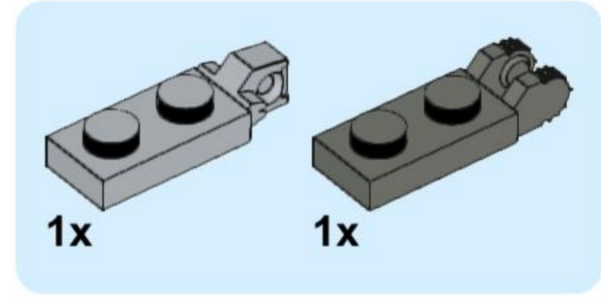




24

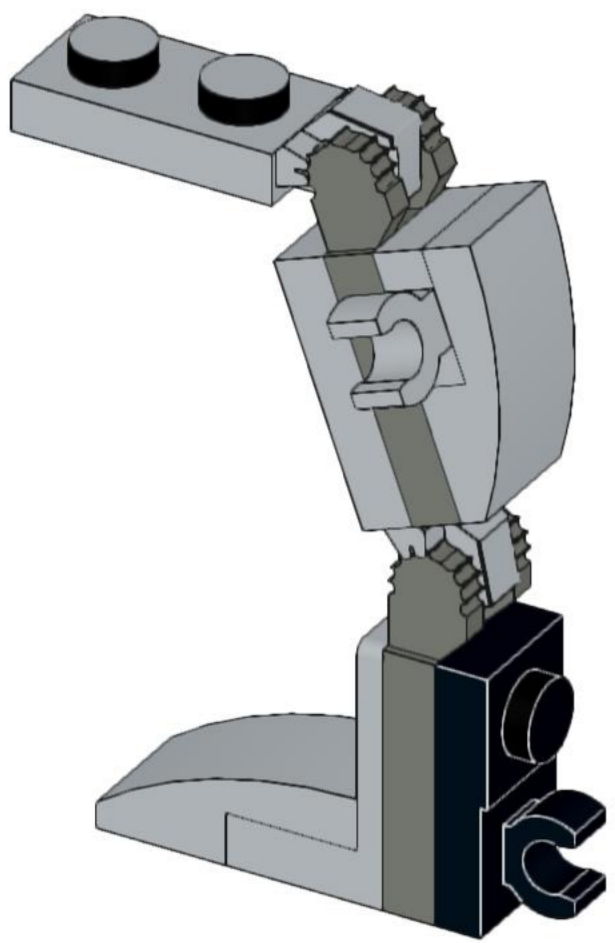
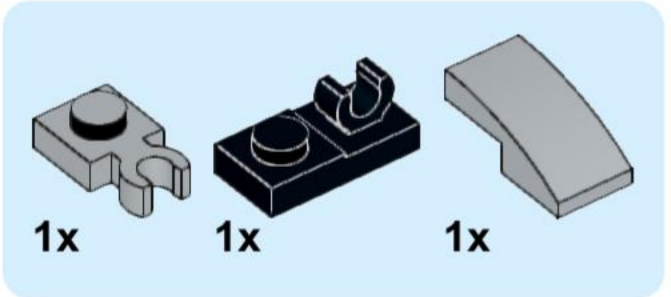


25

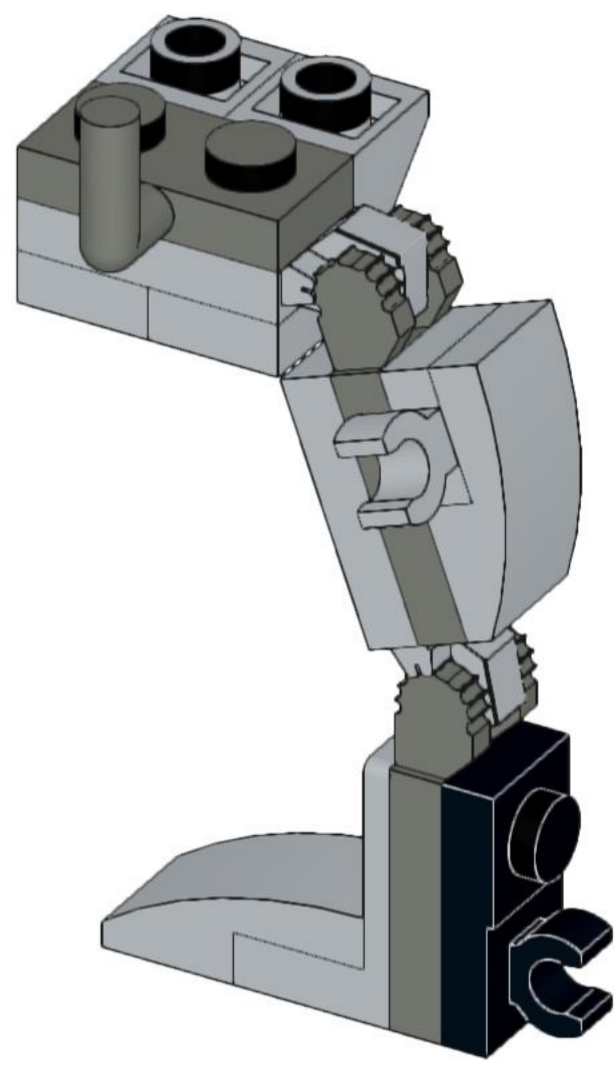
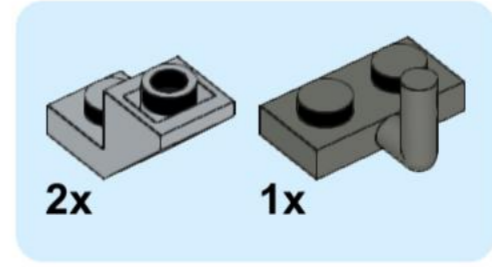


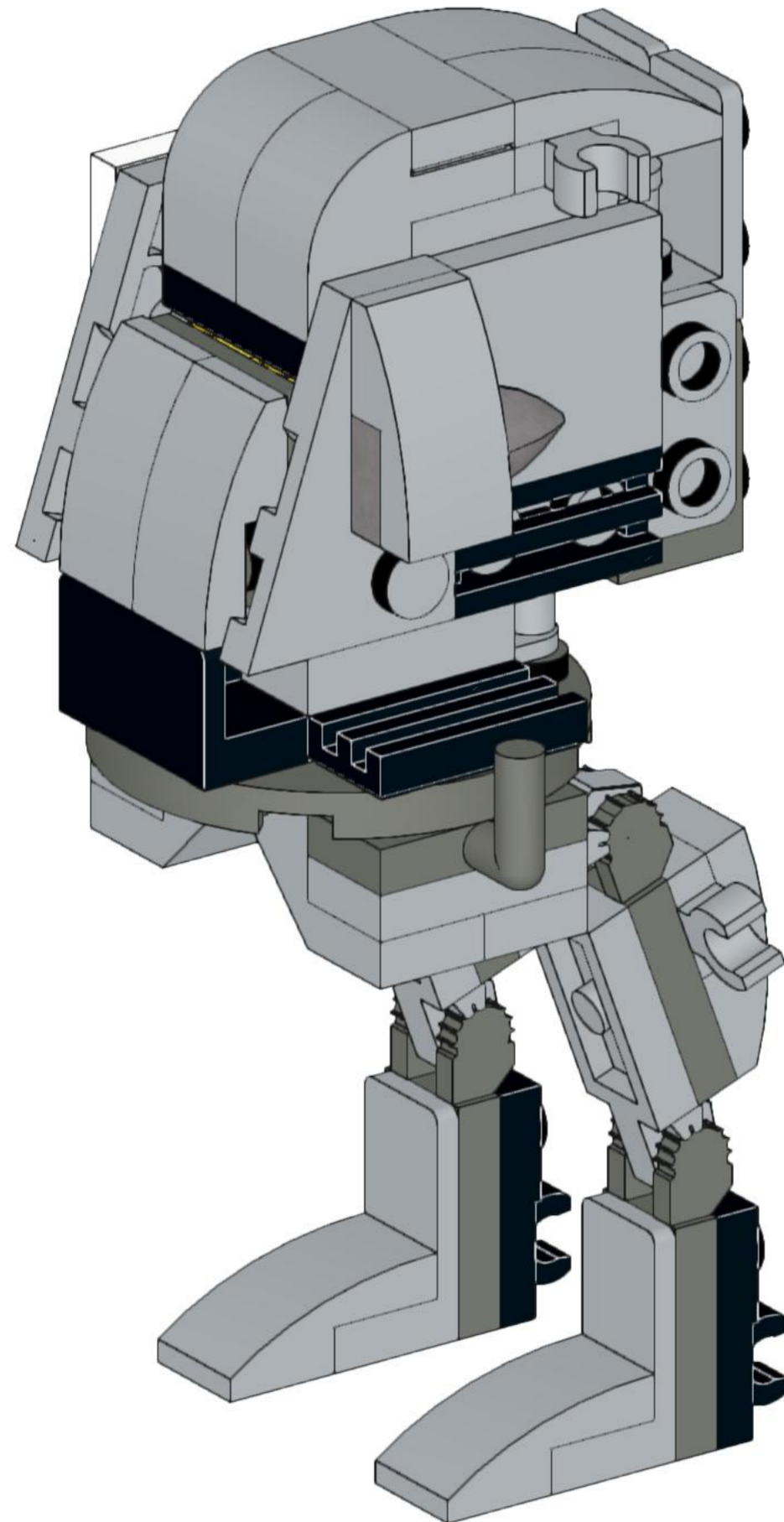


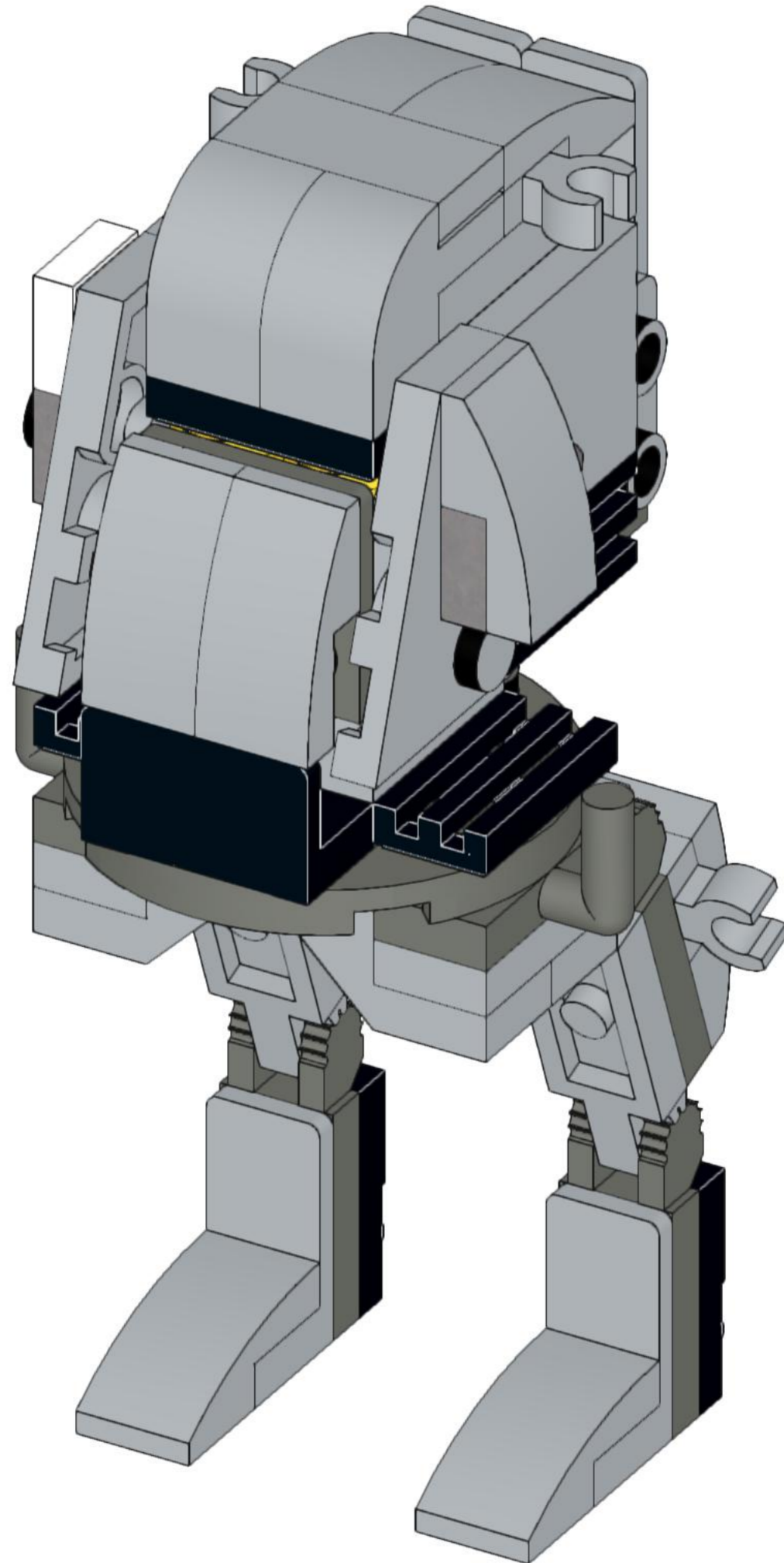
26



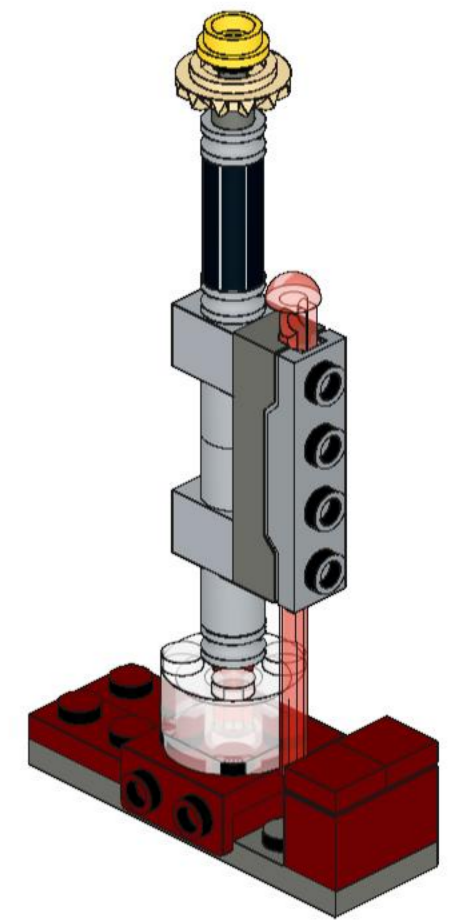
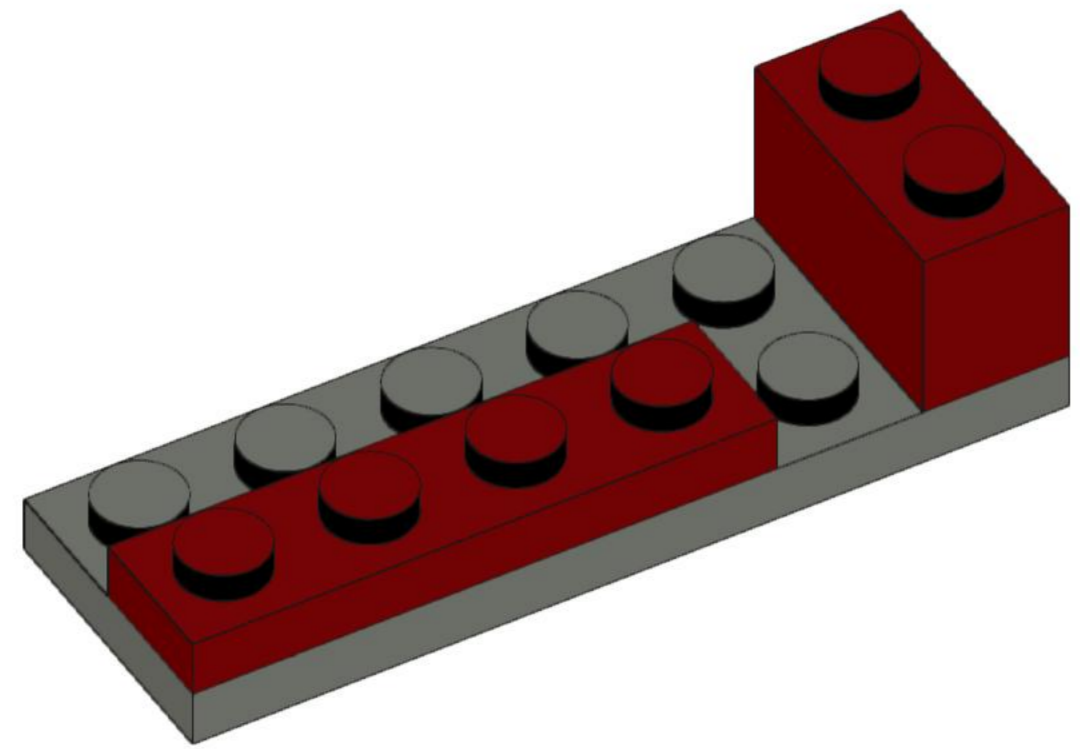
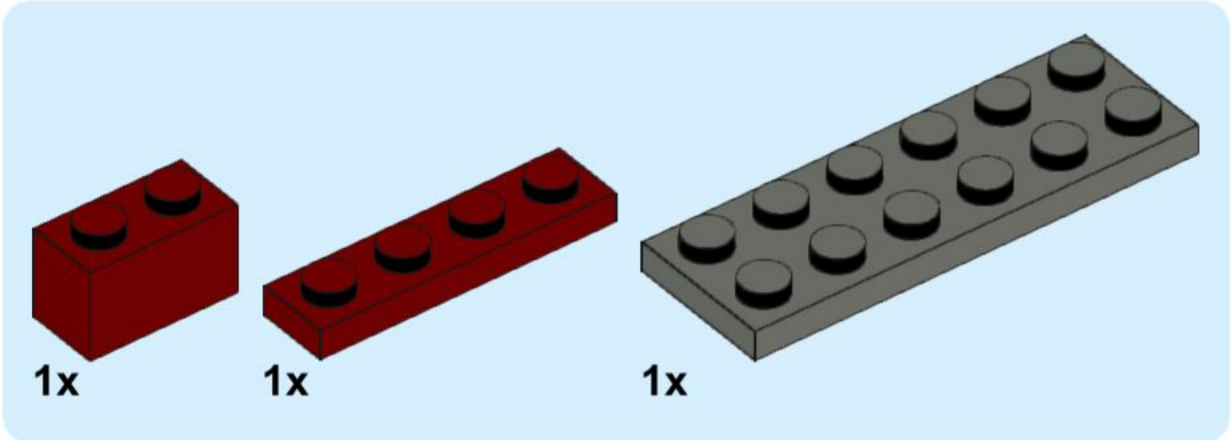
27



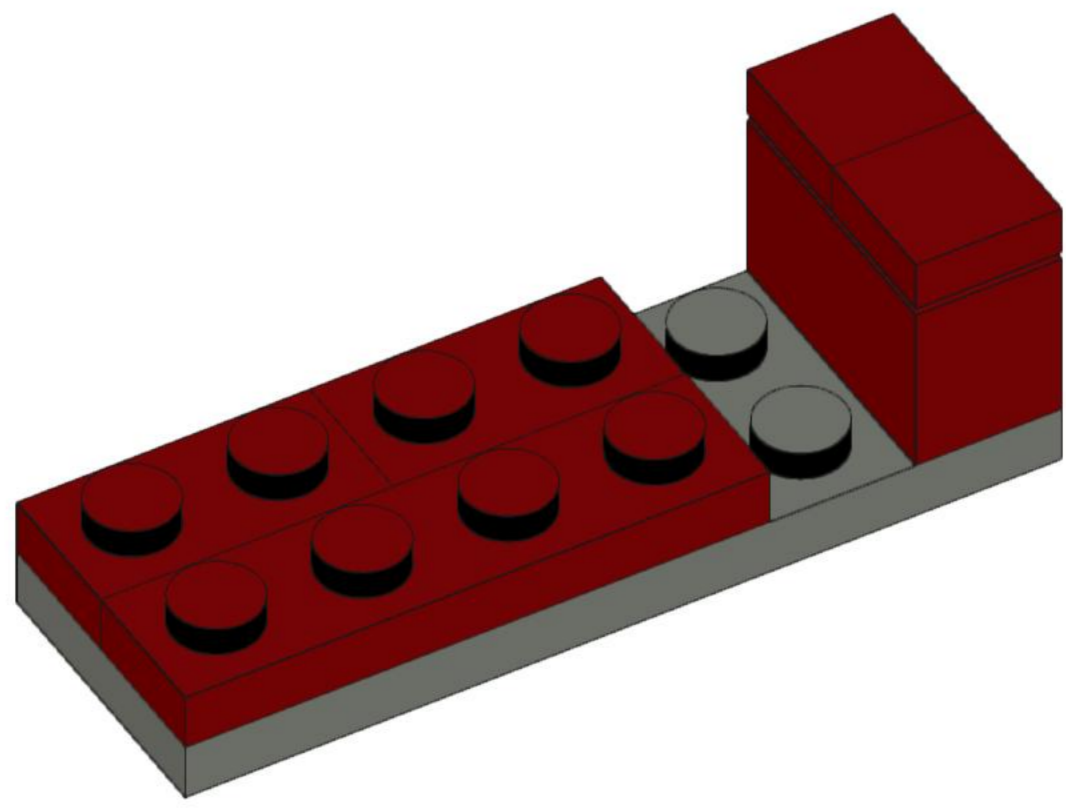
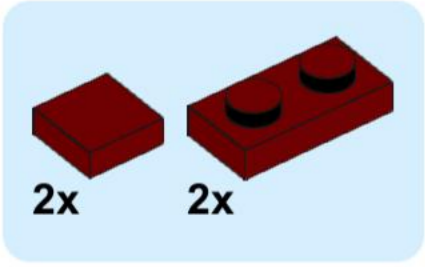




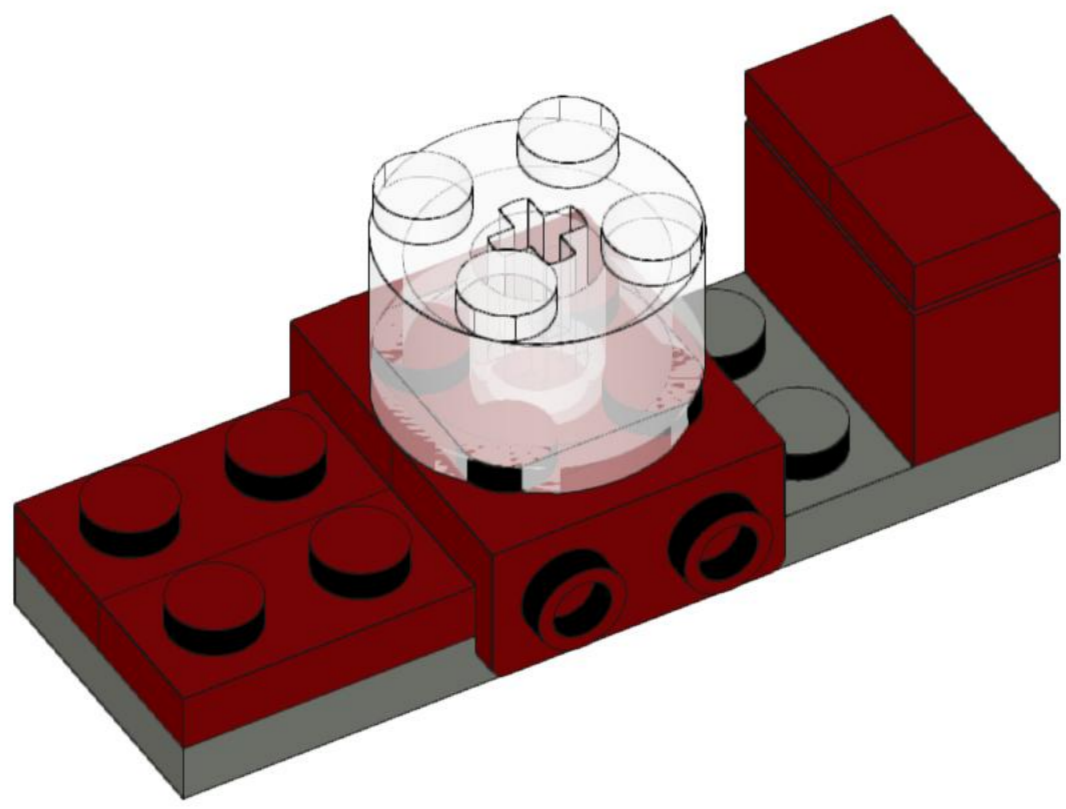
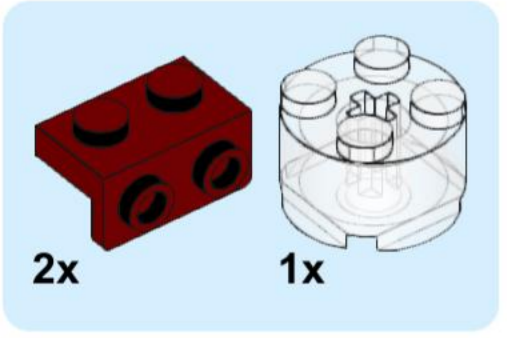


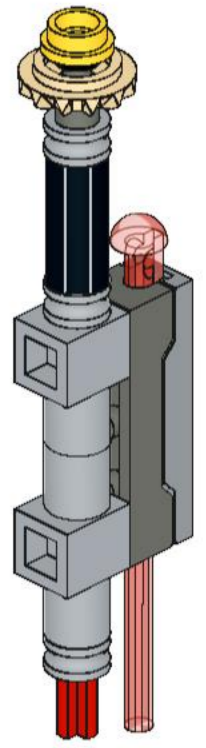
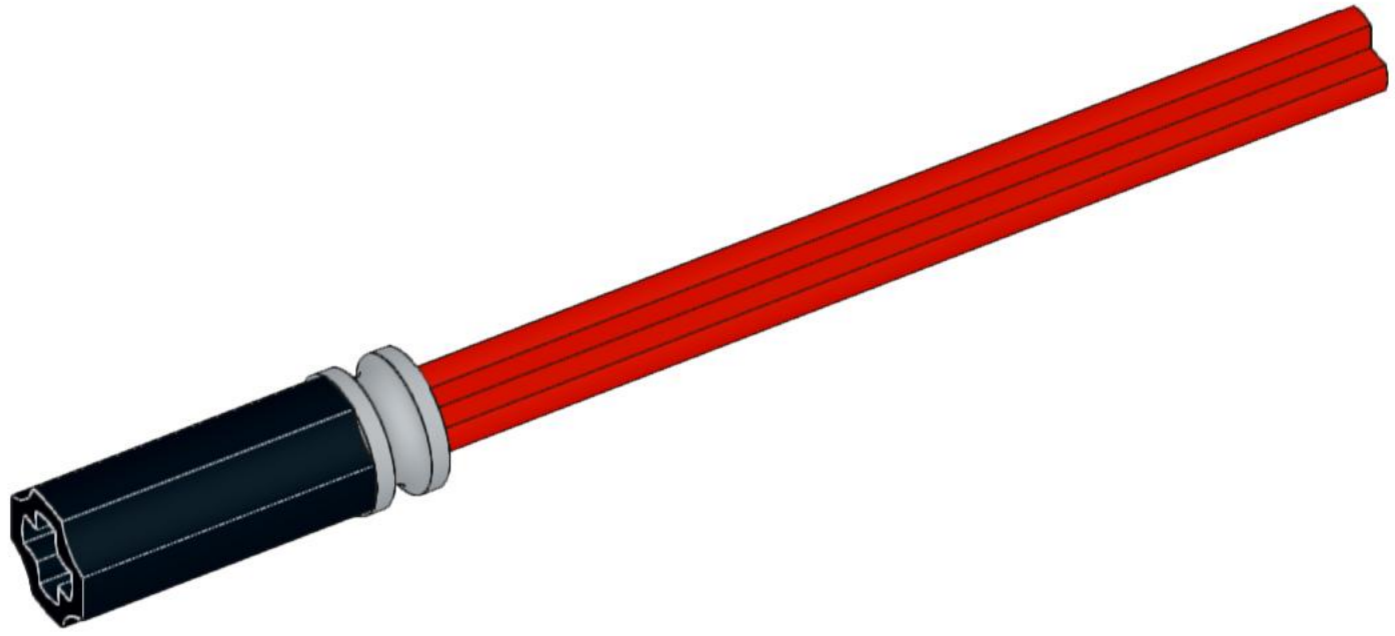
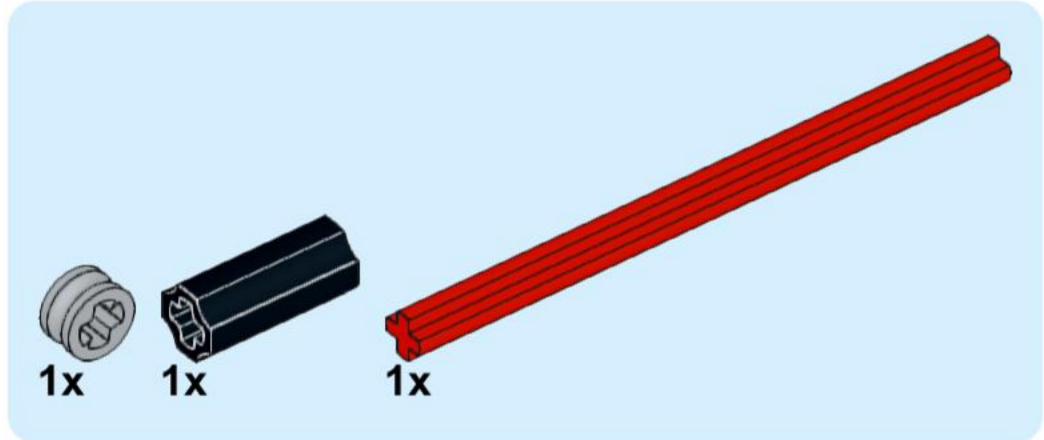


31



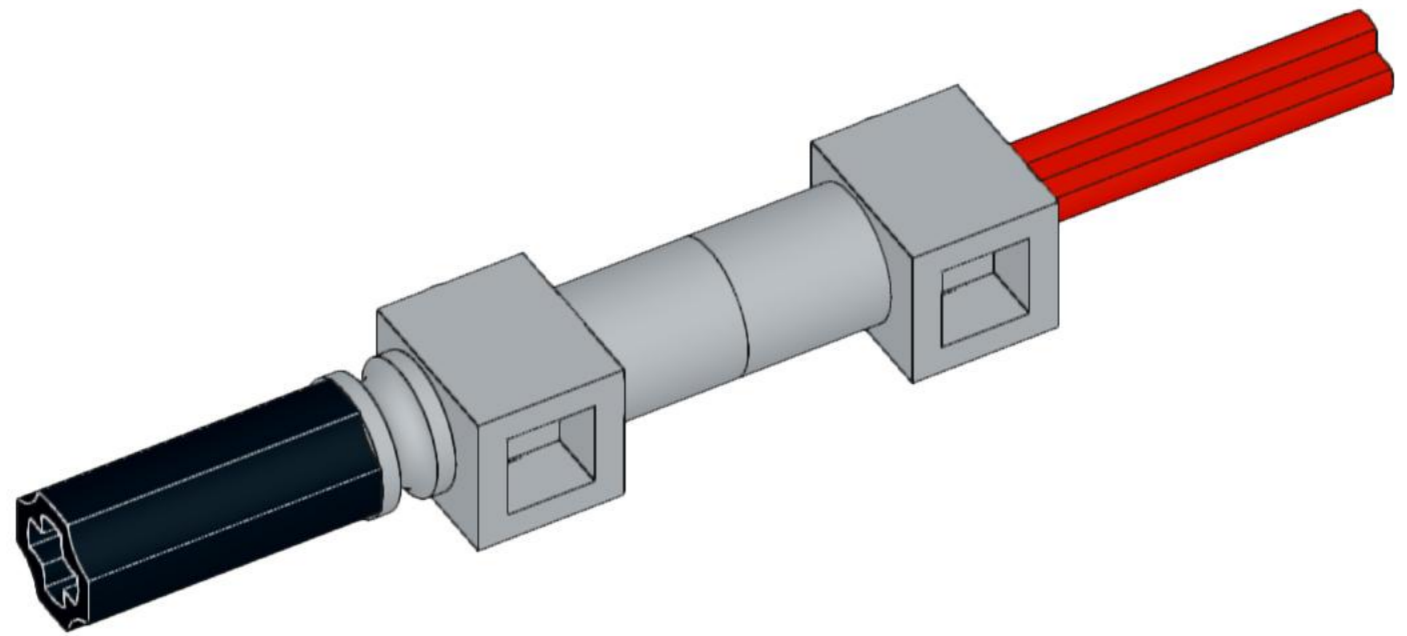
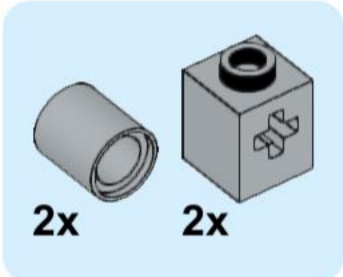
32



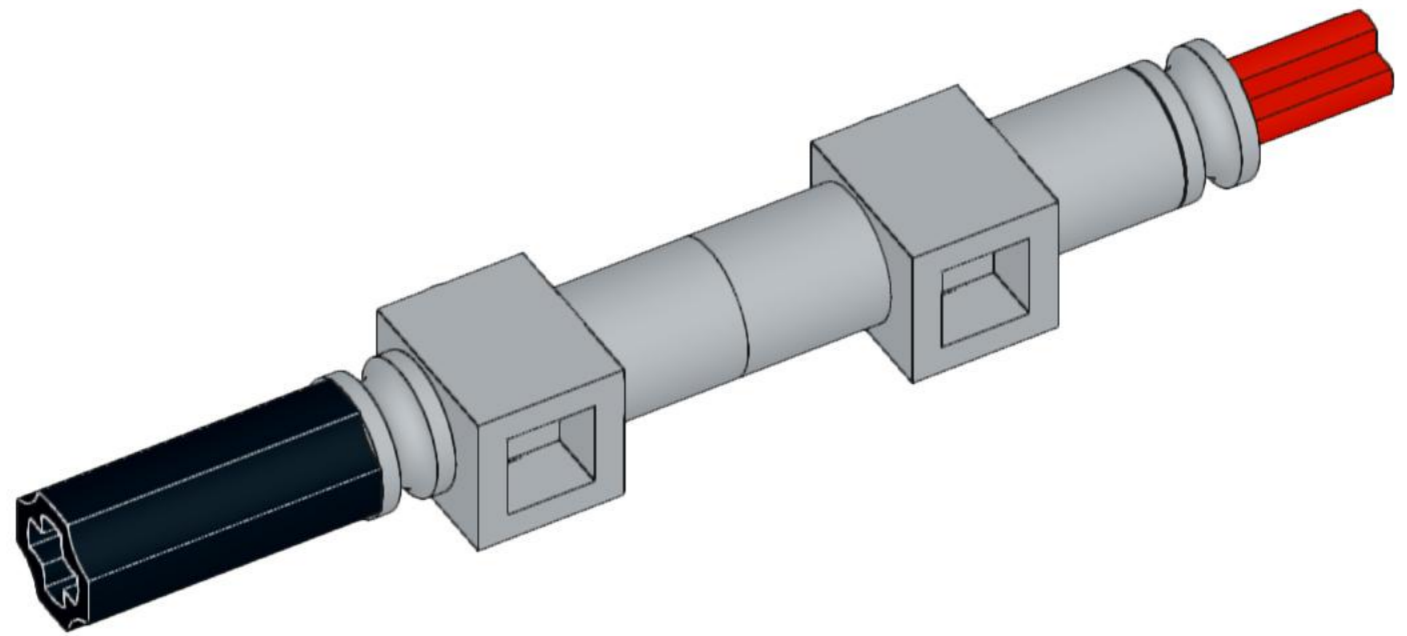
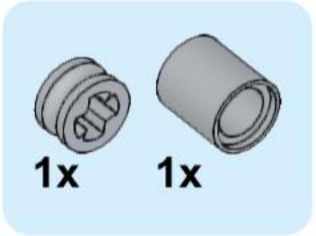




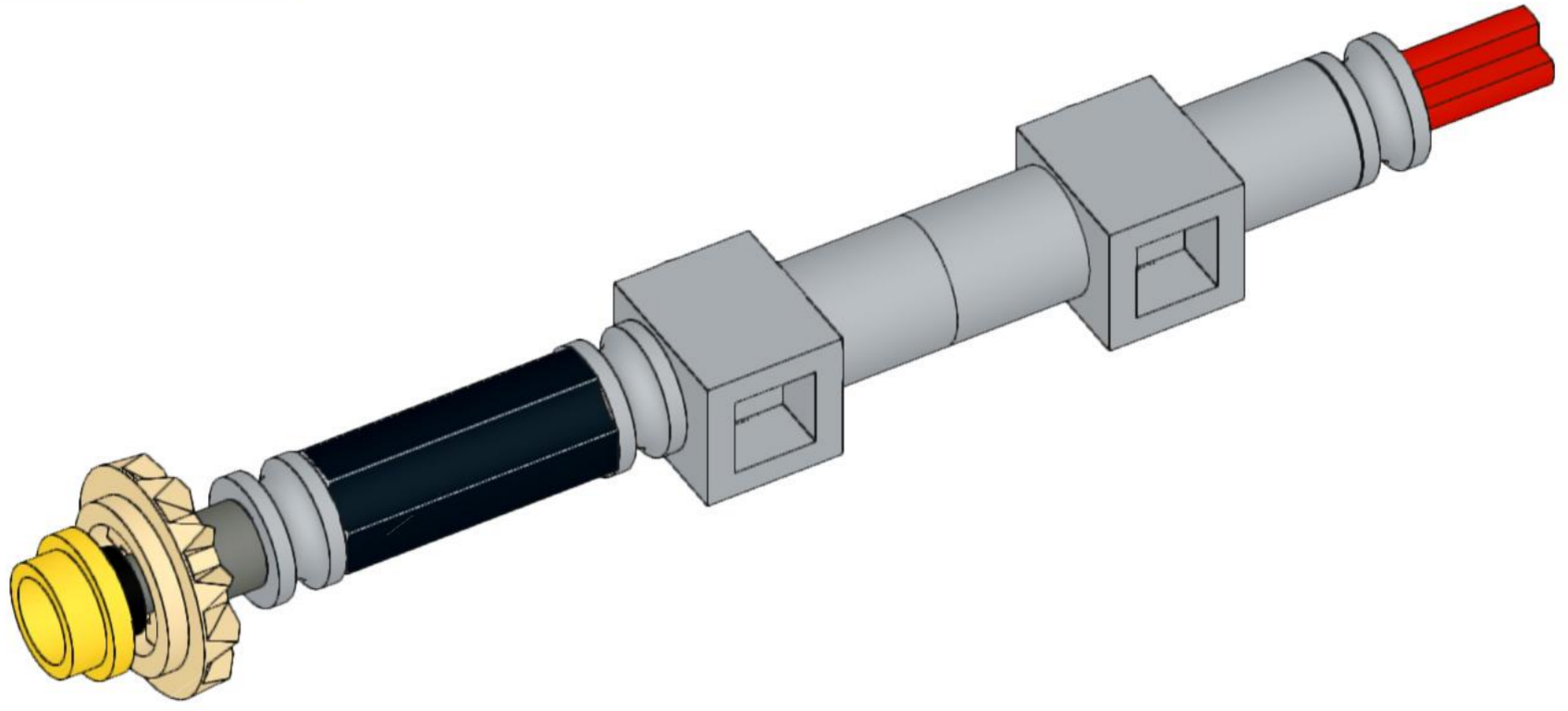
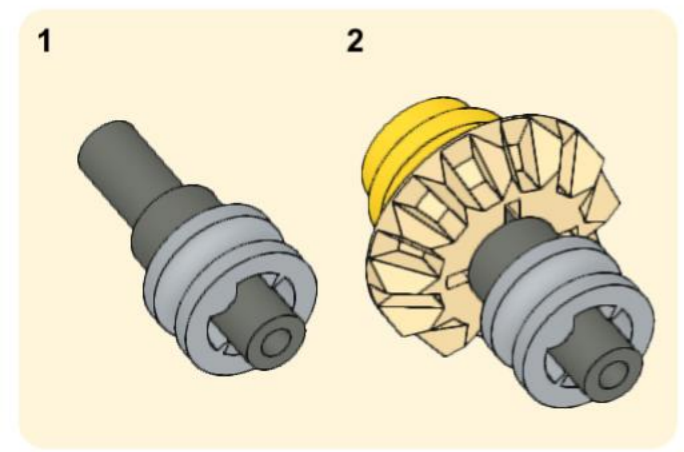
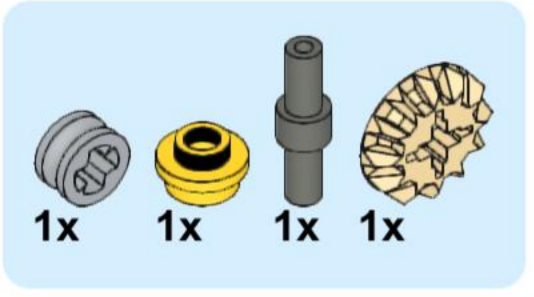
34



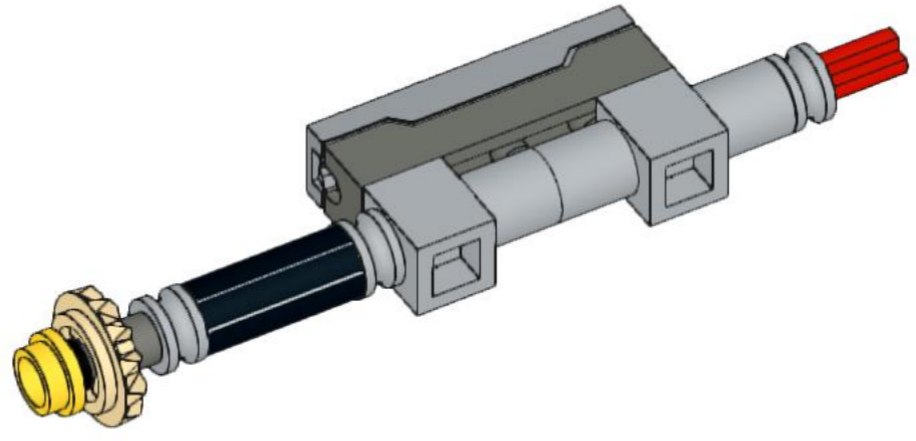
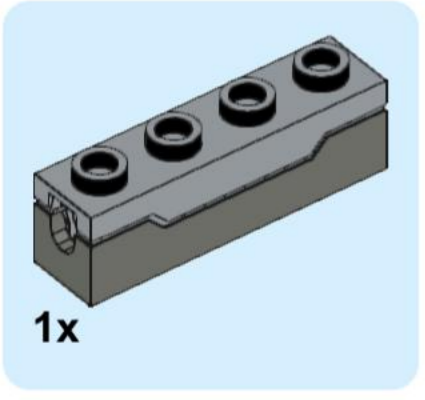
35



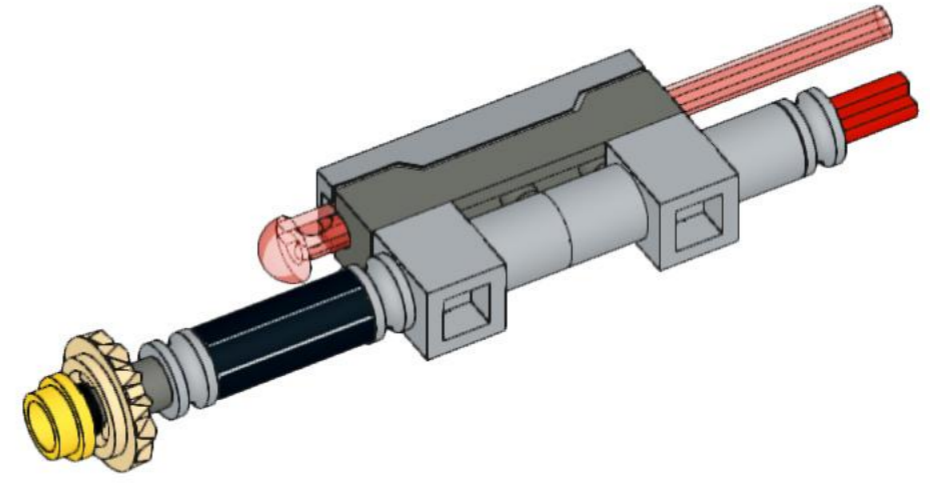
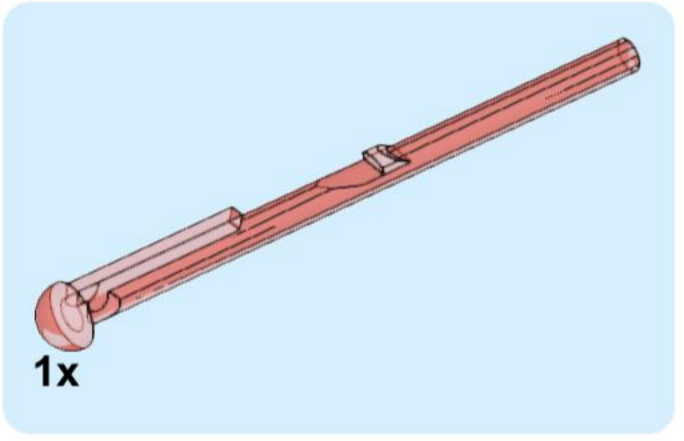
36



37



38



39

