

BRICKS



4x LEGO 75280



+EXTRA PARTS (included in 4x75280)



4x



4x



5x



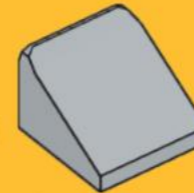
4x



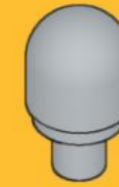
3x



4x



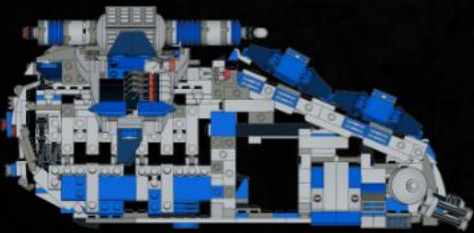
4x



4x



4x



(PARTS LIST AT THE END)

Build instructions by Dorian Bricktron **dorianbricktron.com**

Thank you for checking out my MOC!

I have tried my best to make it as sturdy as possible, but some elements of the design required making compromises. Opening the doors works best when you angle them inwards before pulling to the side. I really hope you like it, enjoy the construction!



Bricks kindly provided by

KRASSE KISTE
RECORDS · TOYS & MORE

krasse-kiste.de

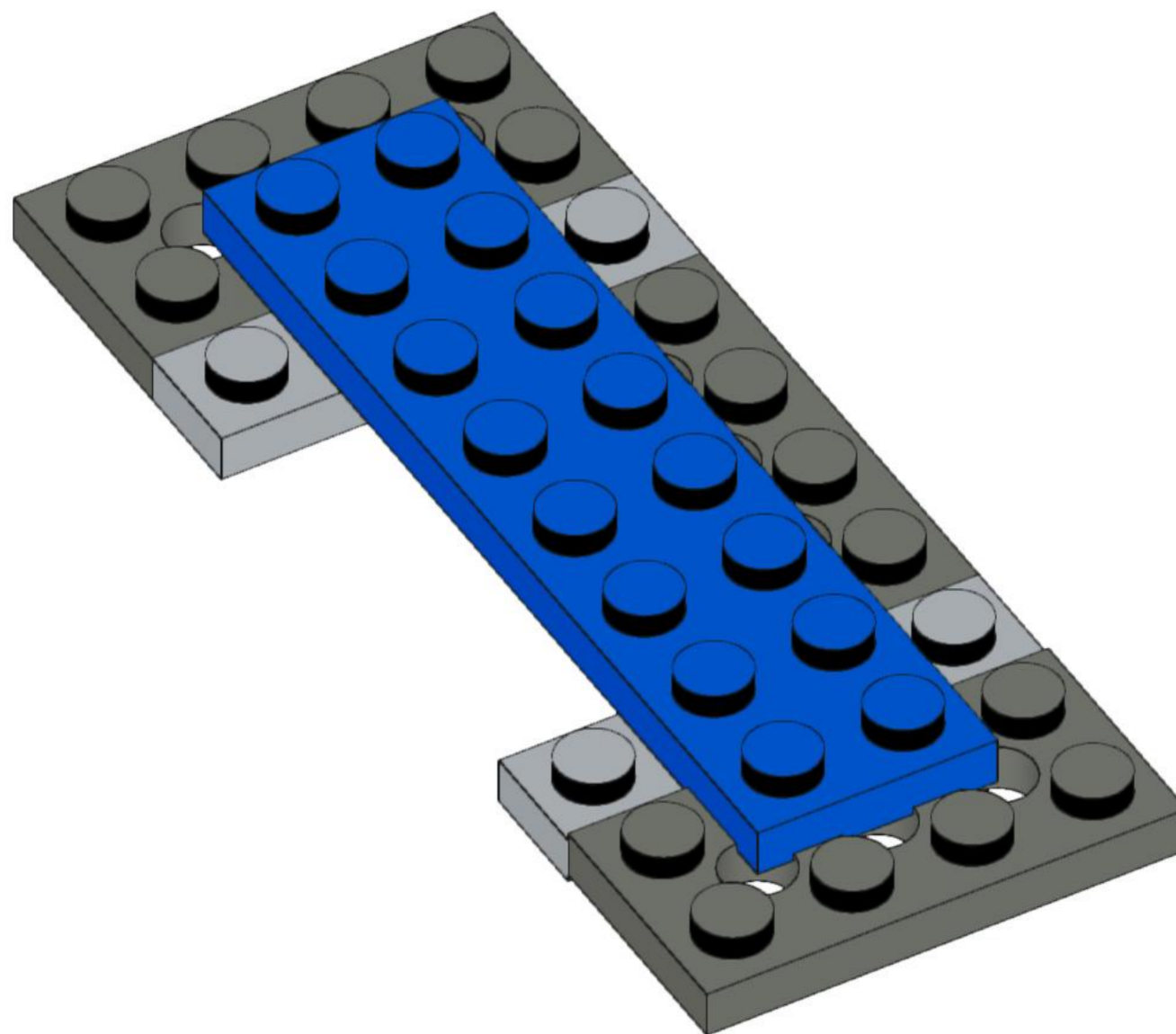
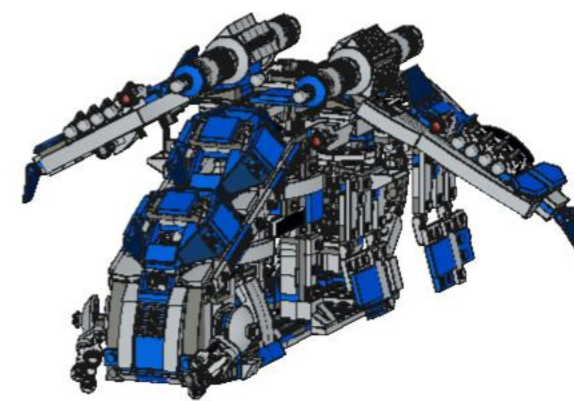
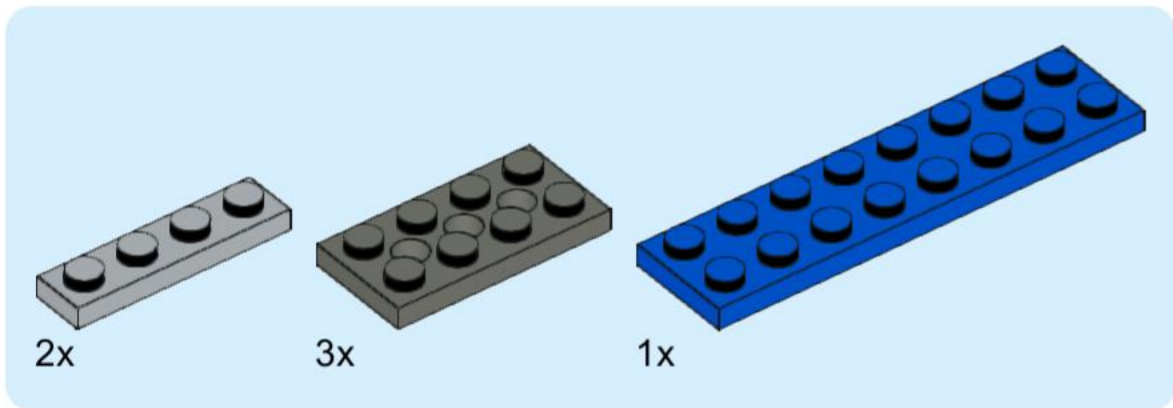
CAUTION

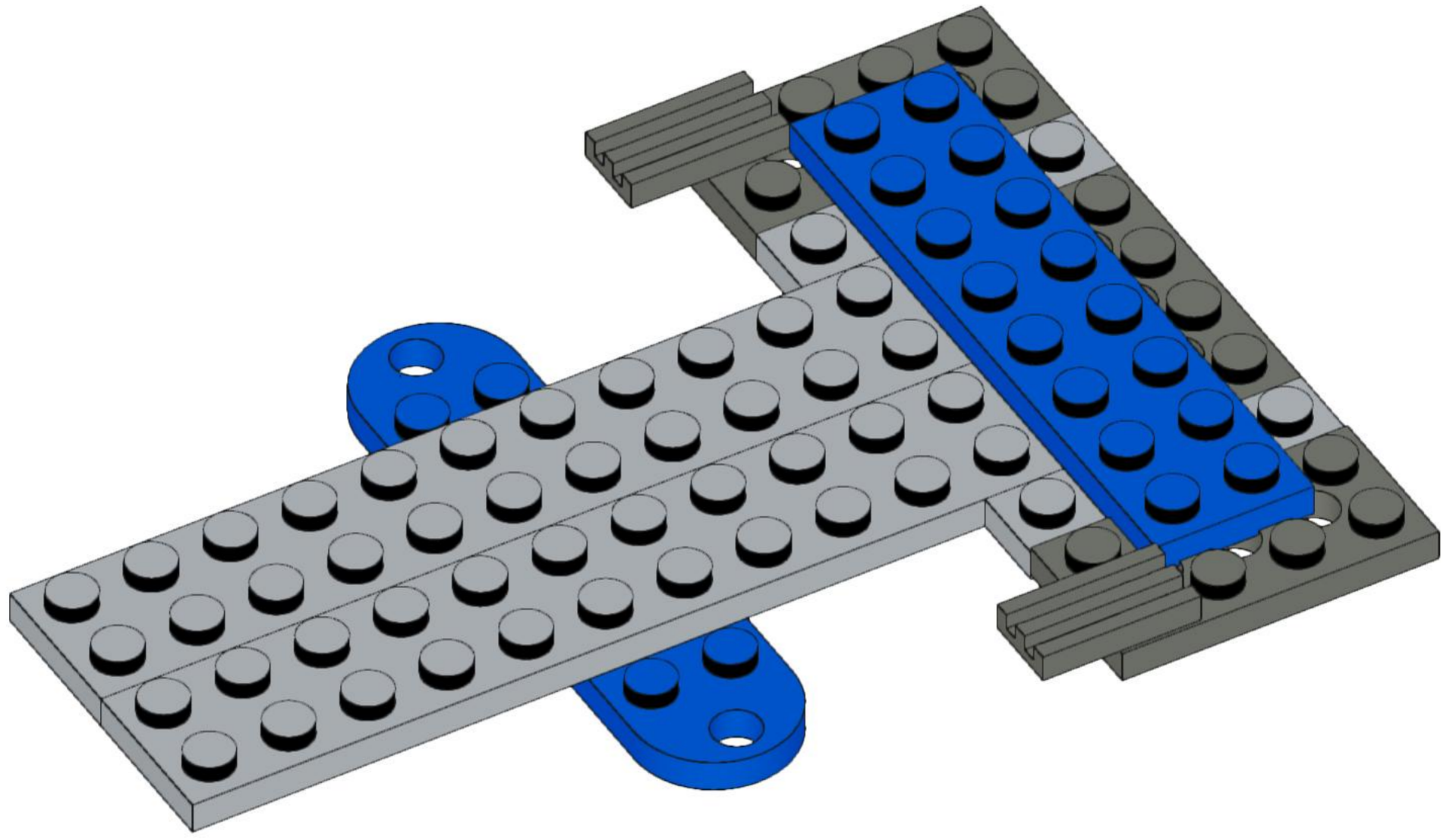
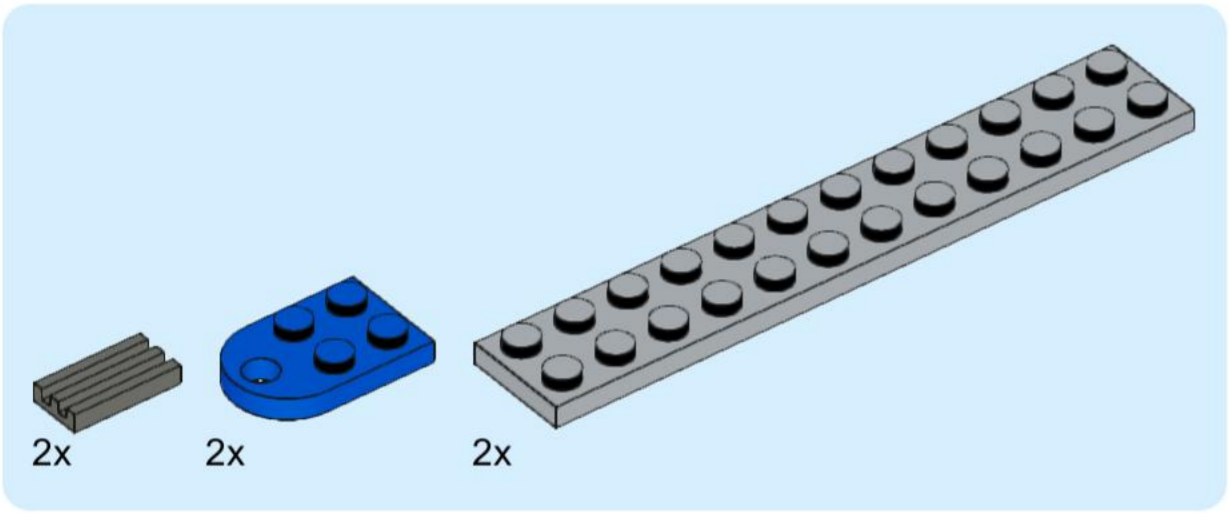
**SPECIFIC DESIGN
NOT AS STURDY AS A REGULAR SET**

**MIGHT INCLUDE "ILLEGAL BUILDING
TECHNIQUES" & WEAK CONNECTIONS**

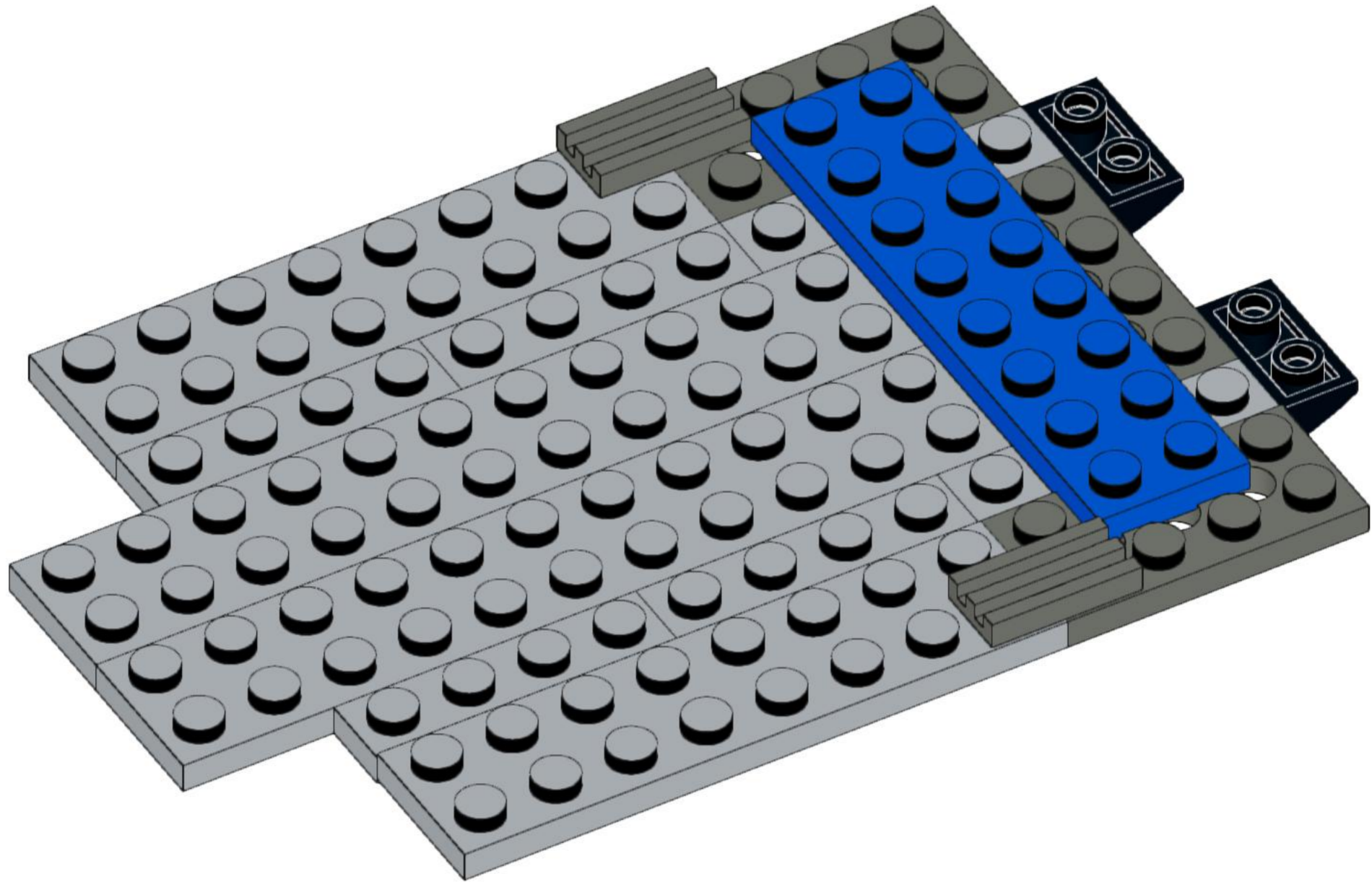
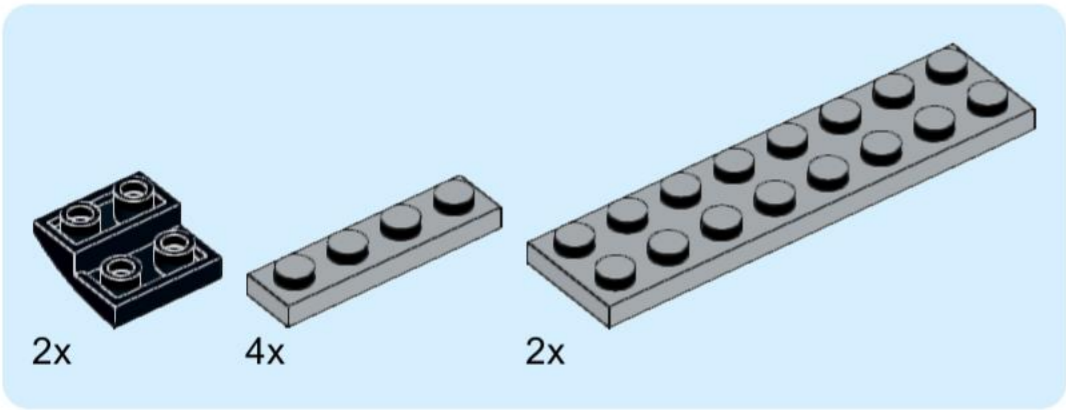
**BENDING OF THE MATERIALS CAN CAUSE
PERMANENT DAMAGE**

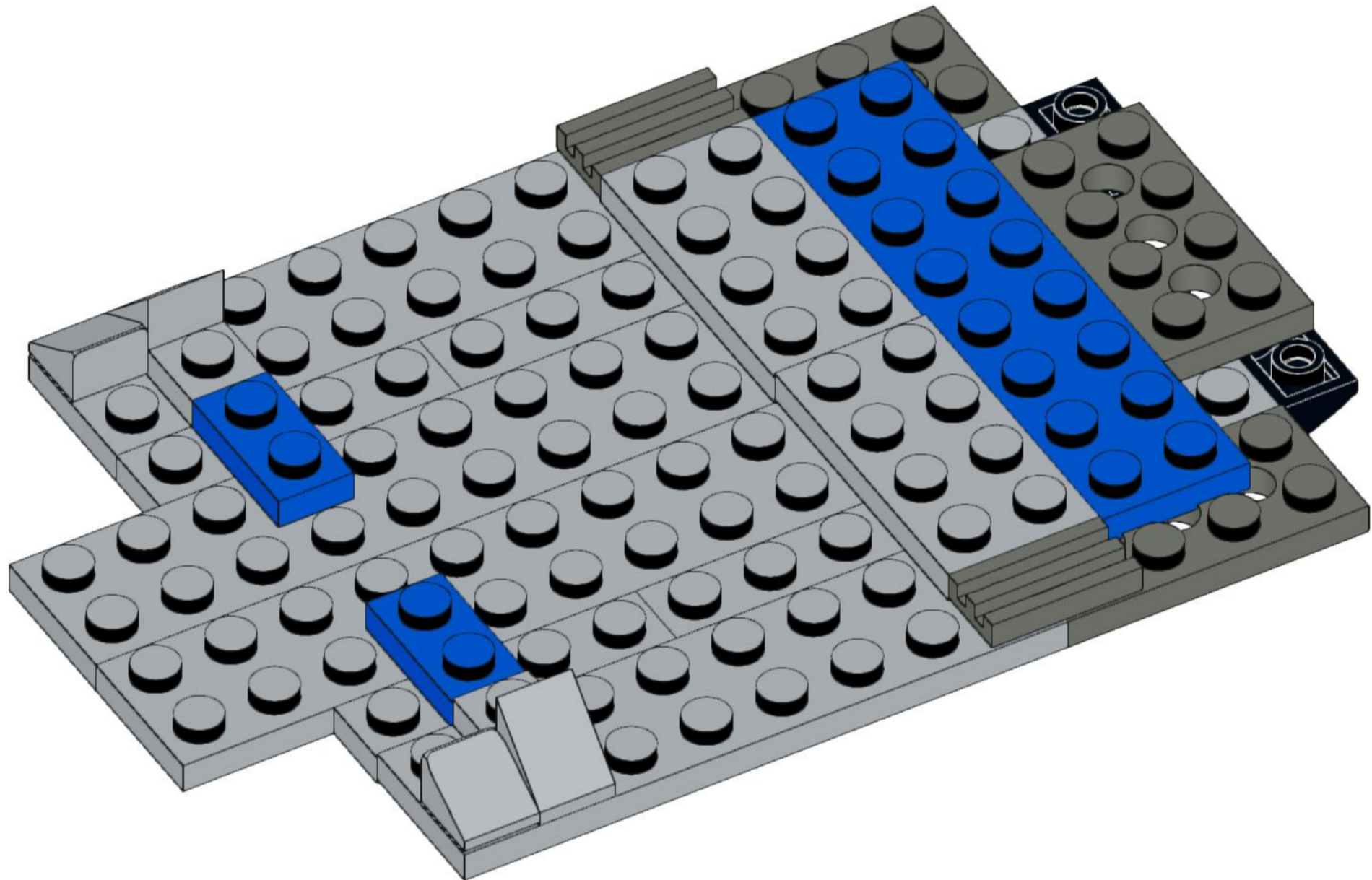
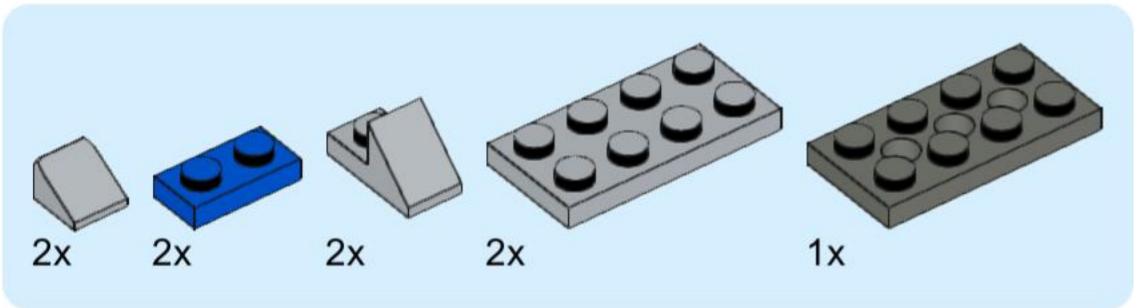
1



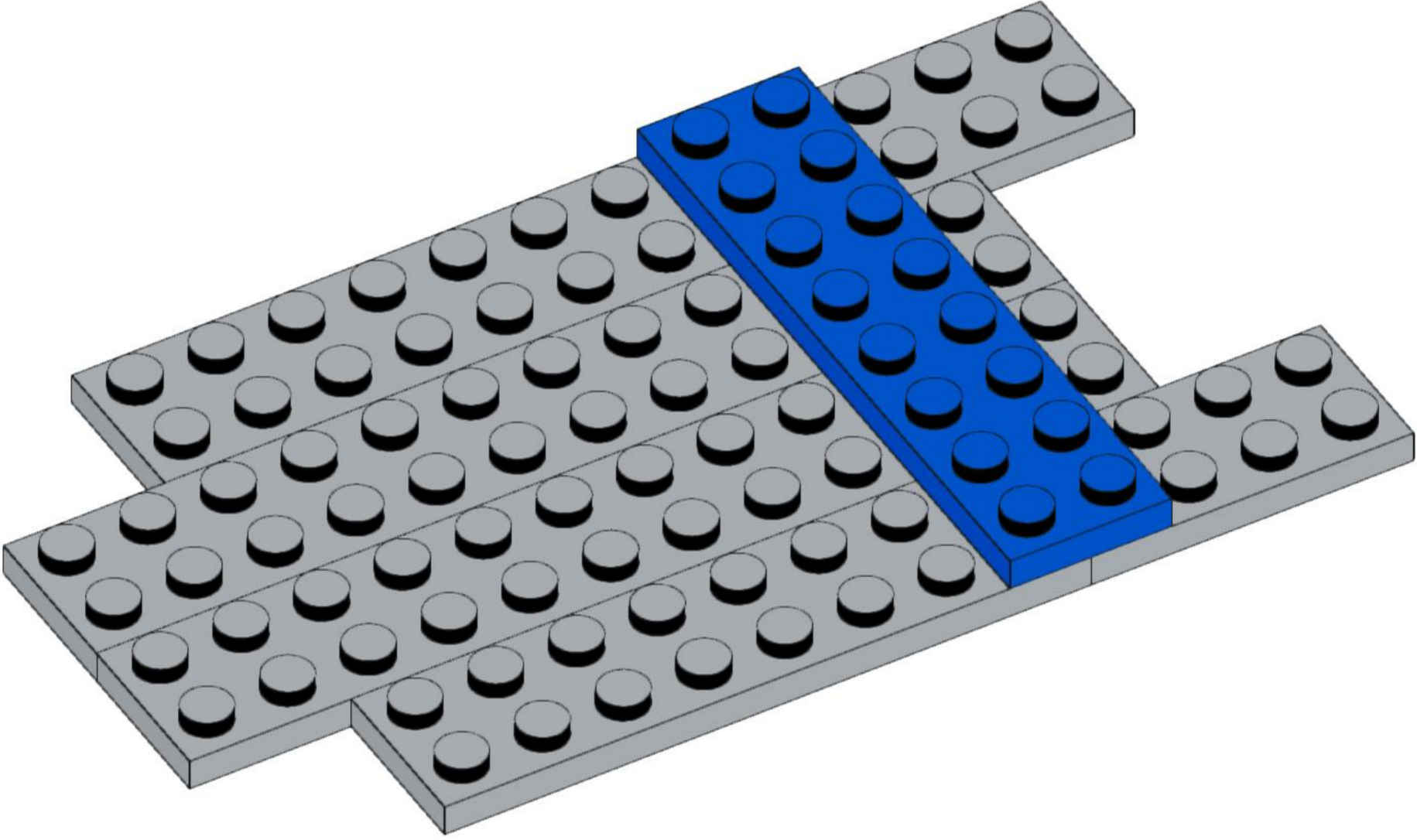
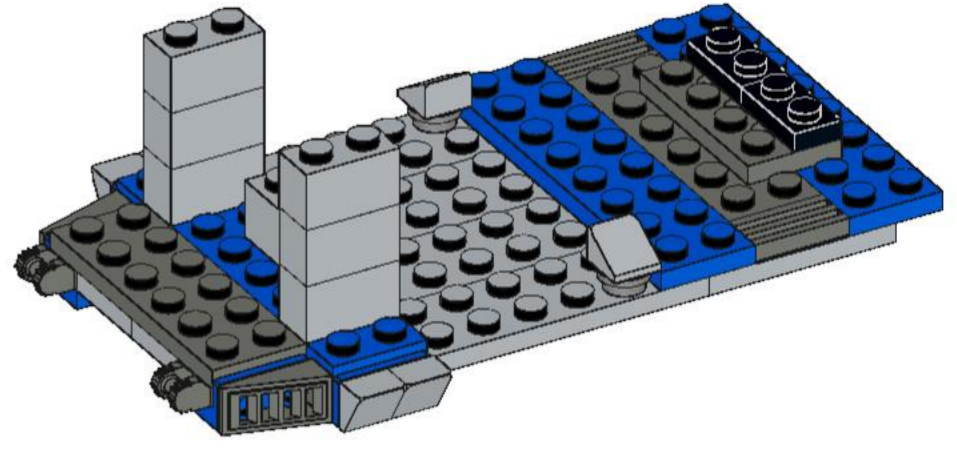
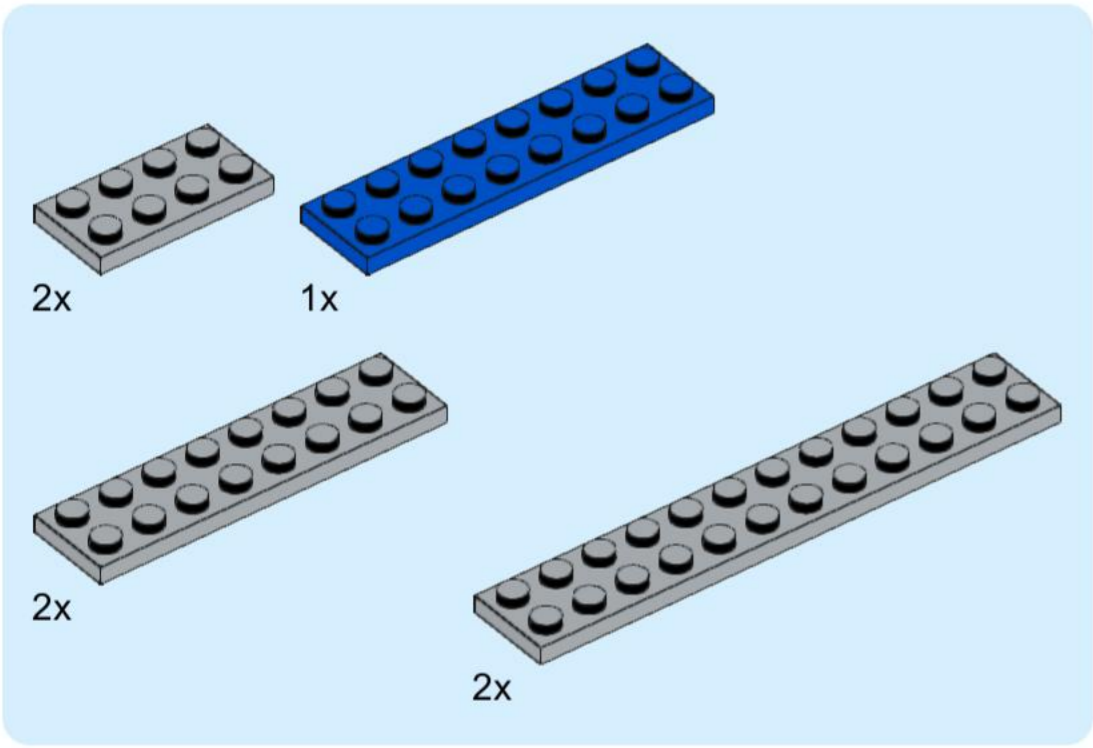


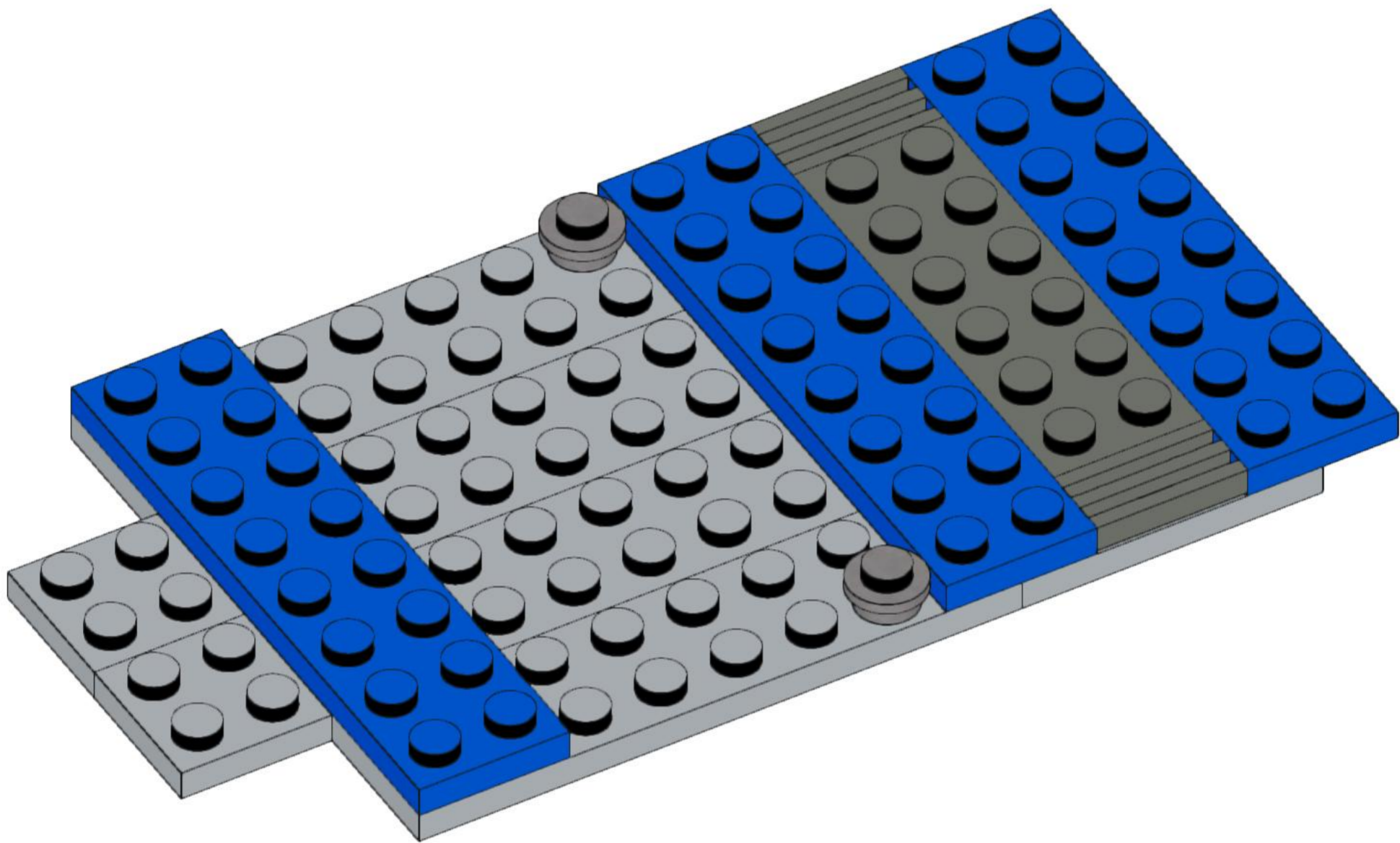
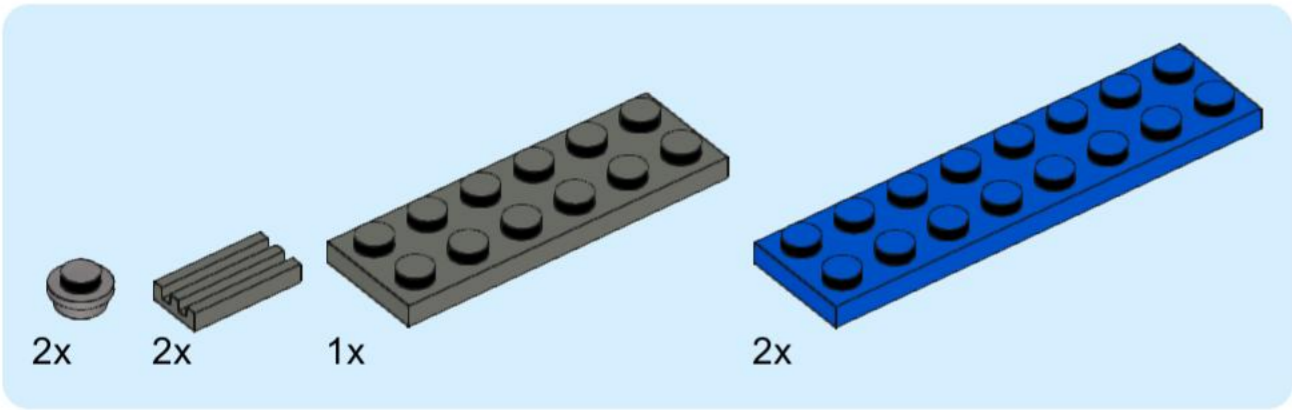
3

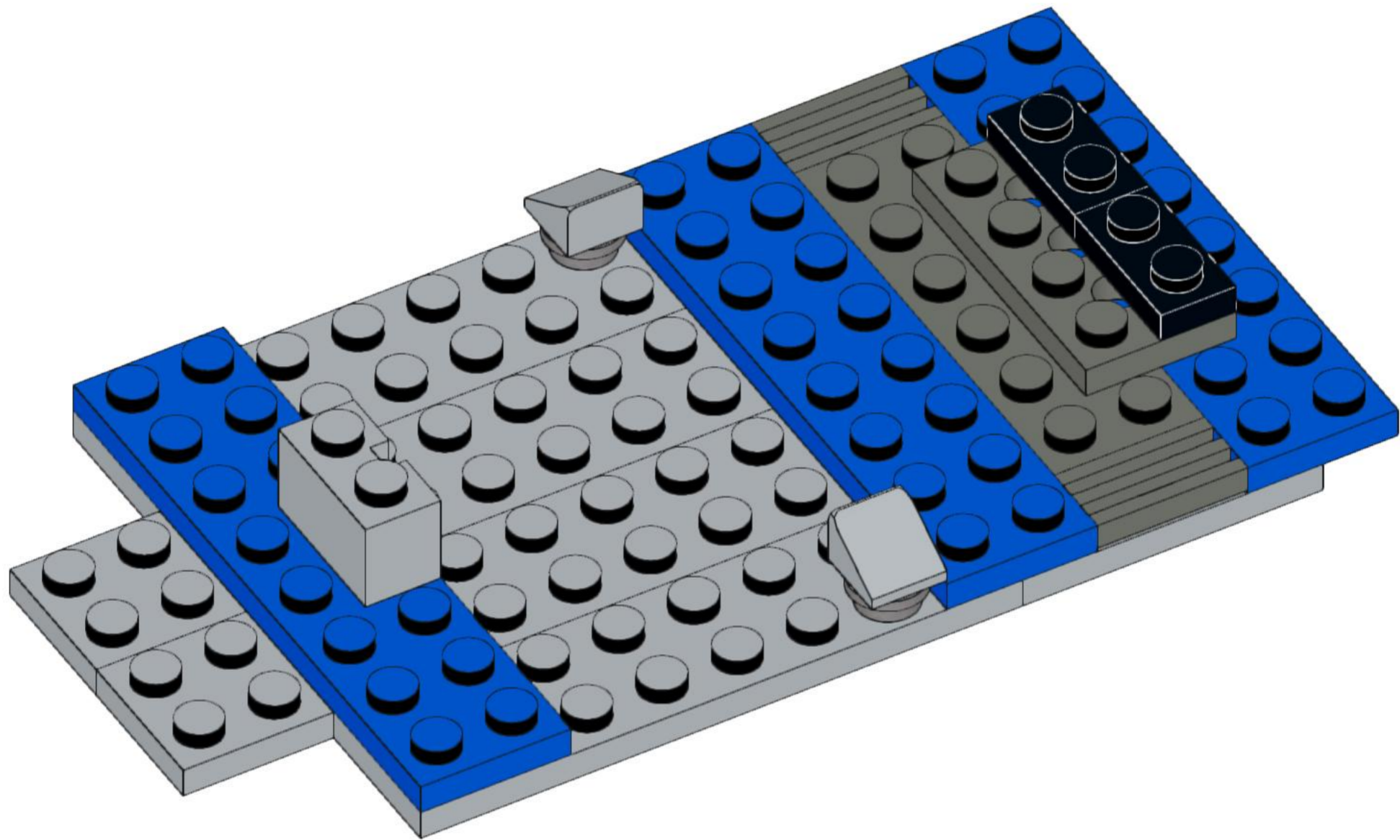
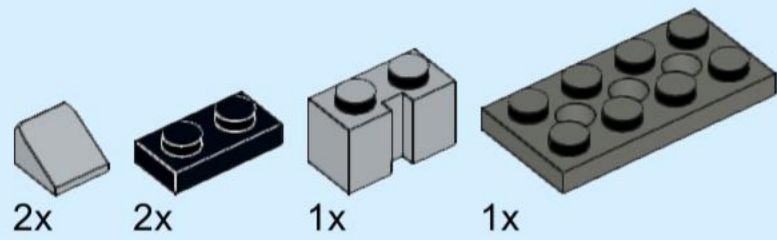




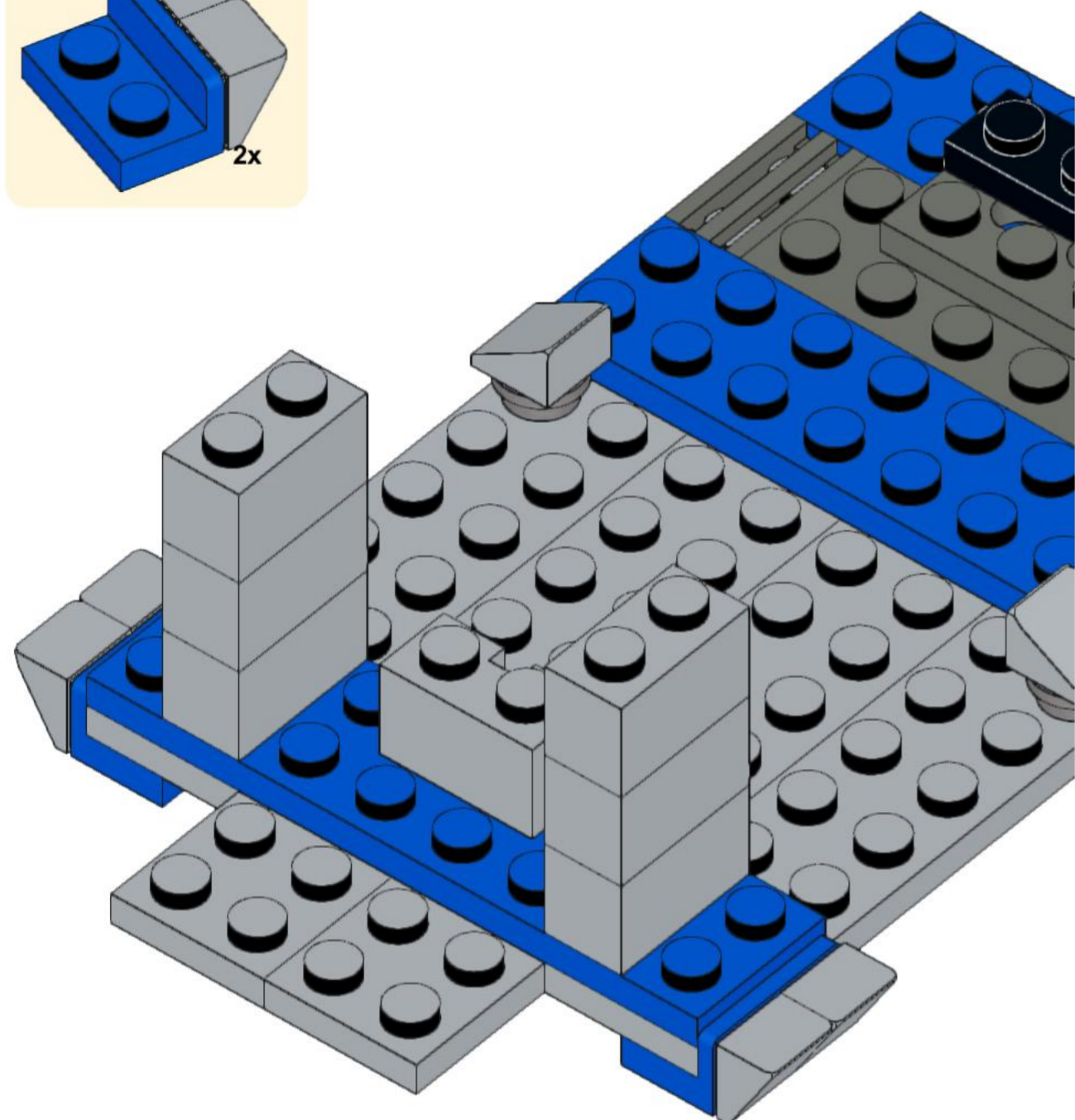
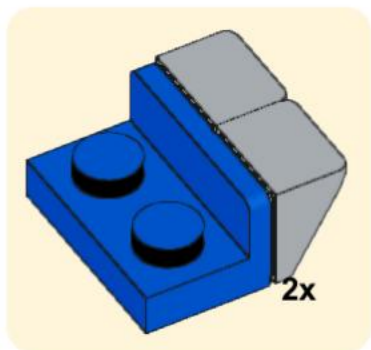
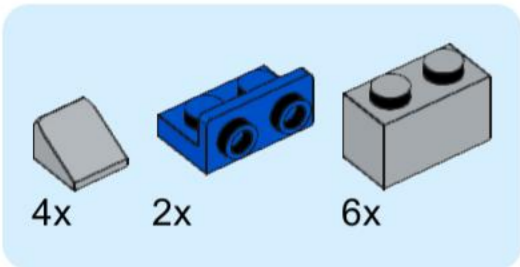
5



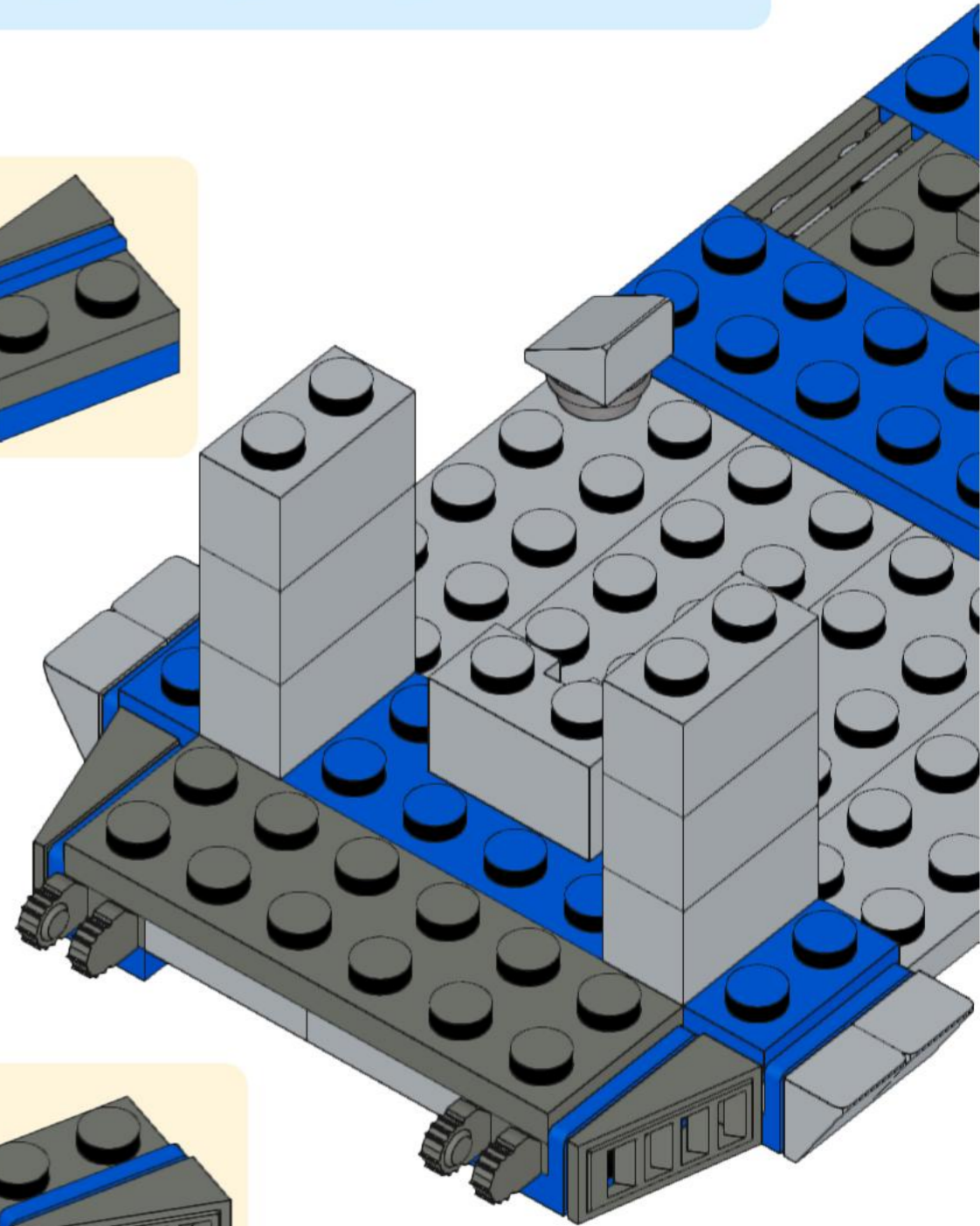
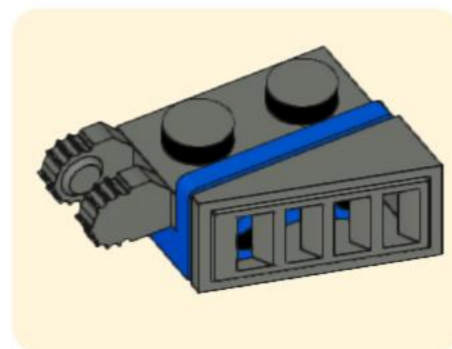
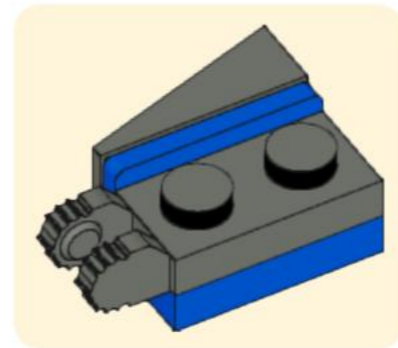
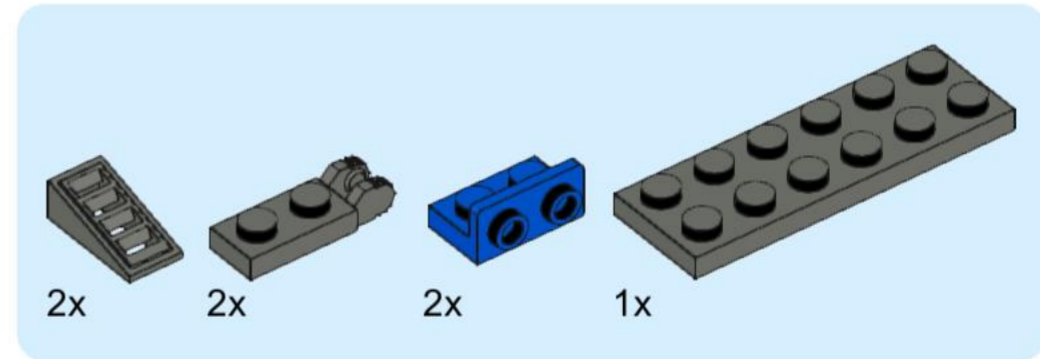


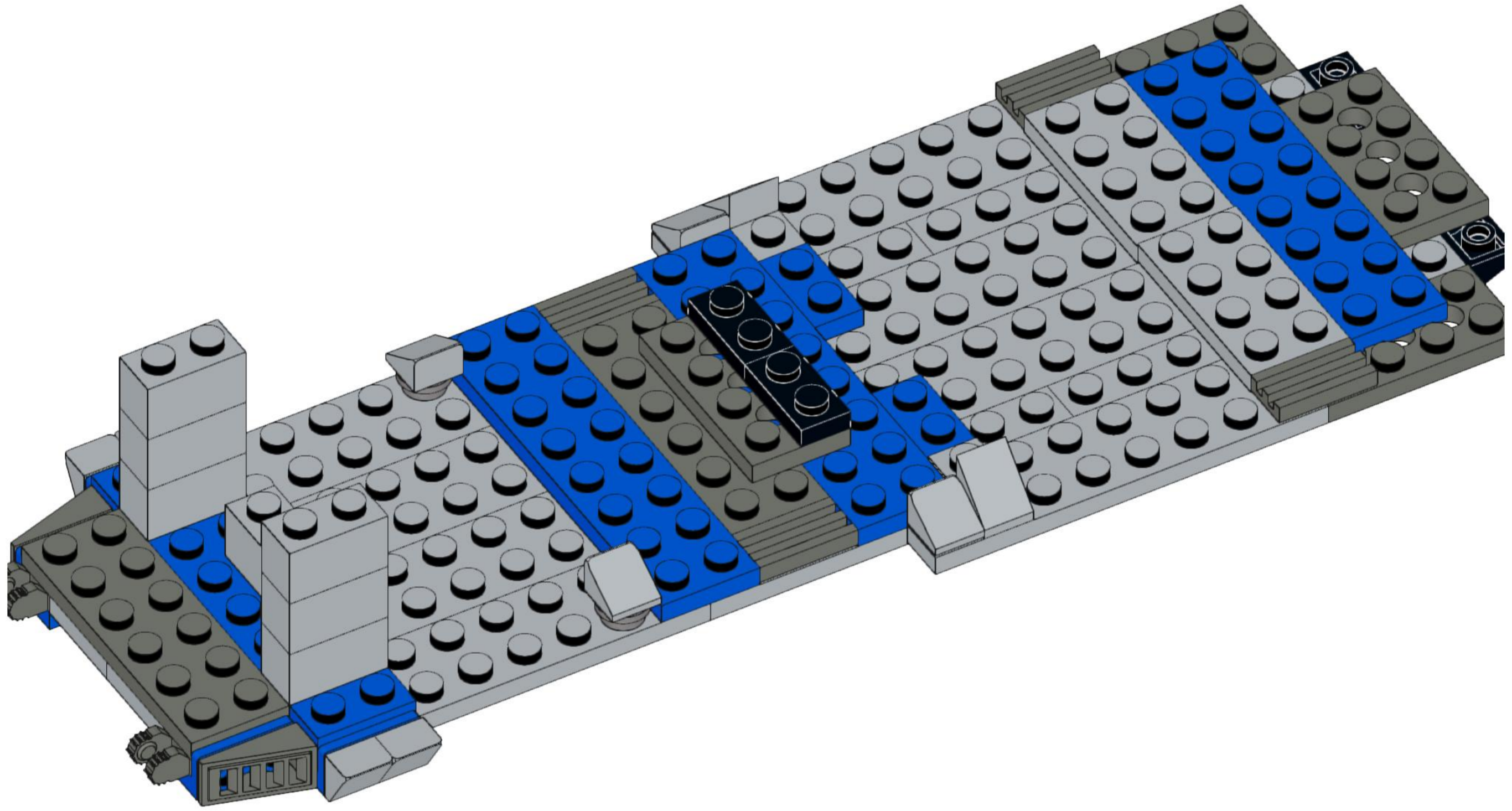


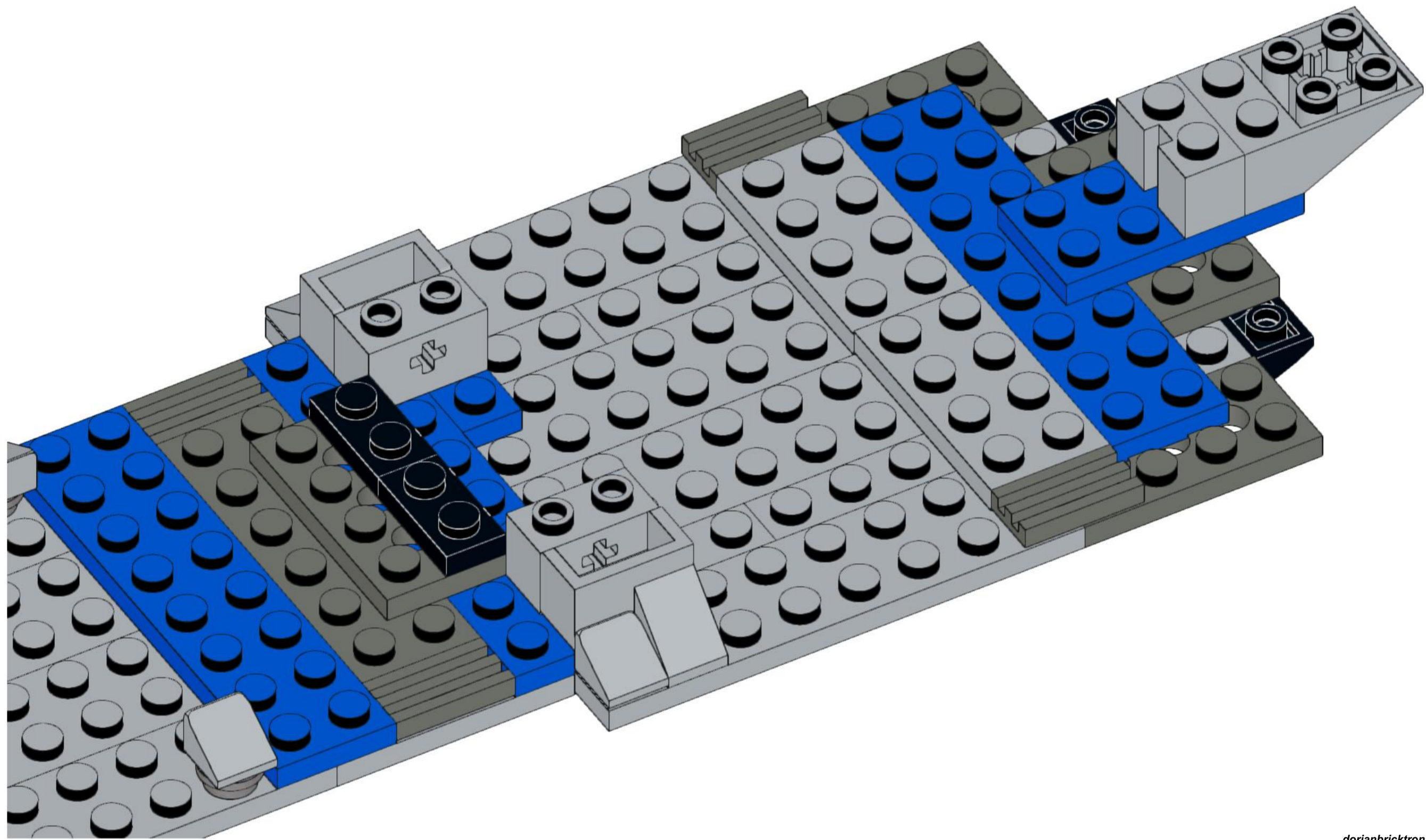
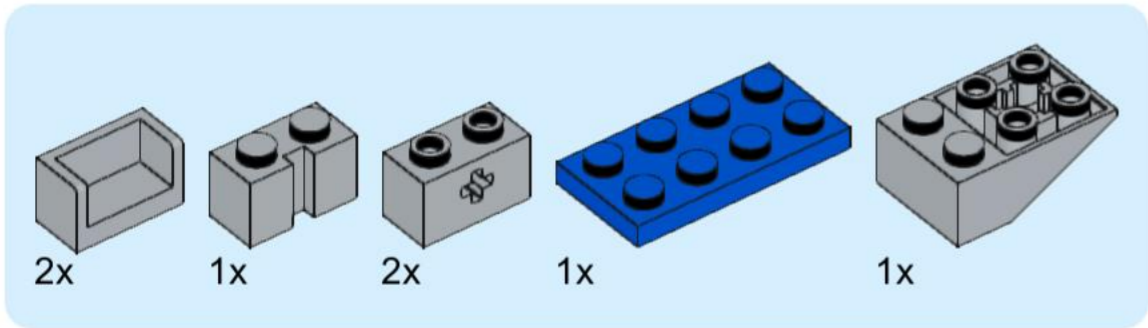
8

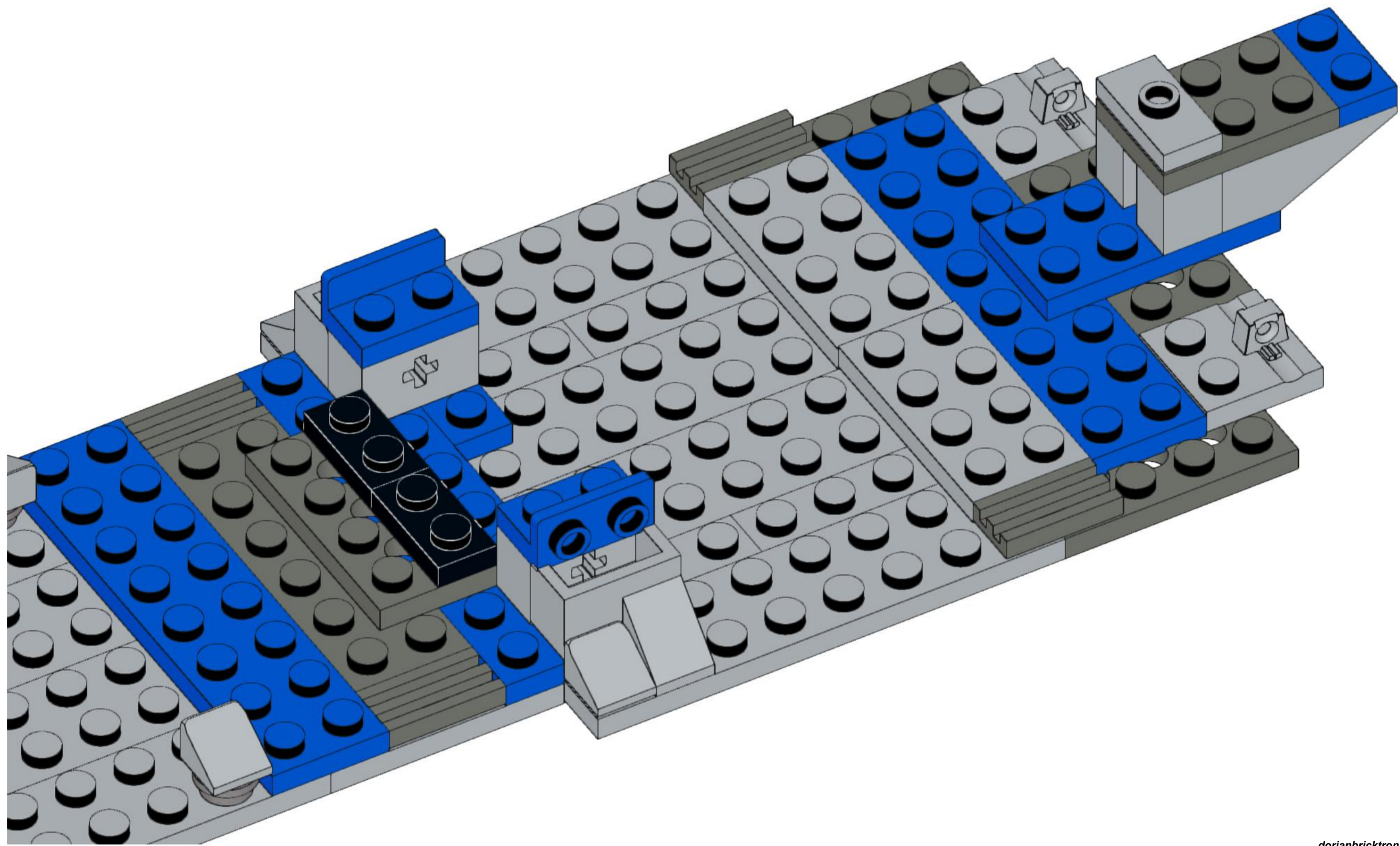
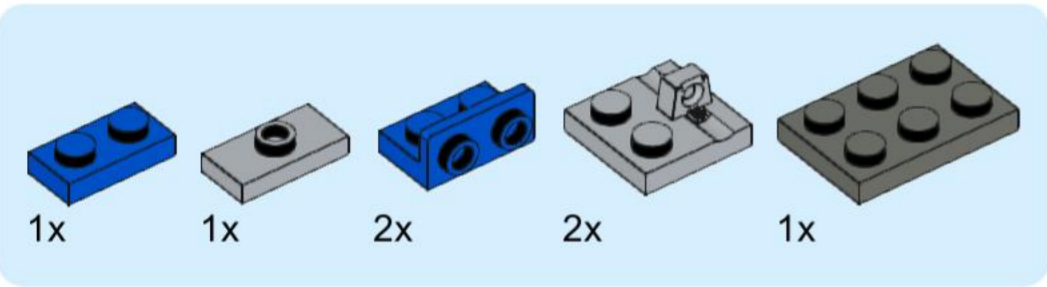


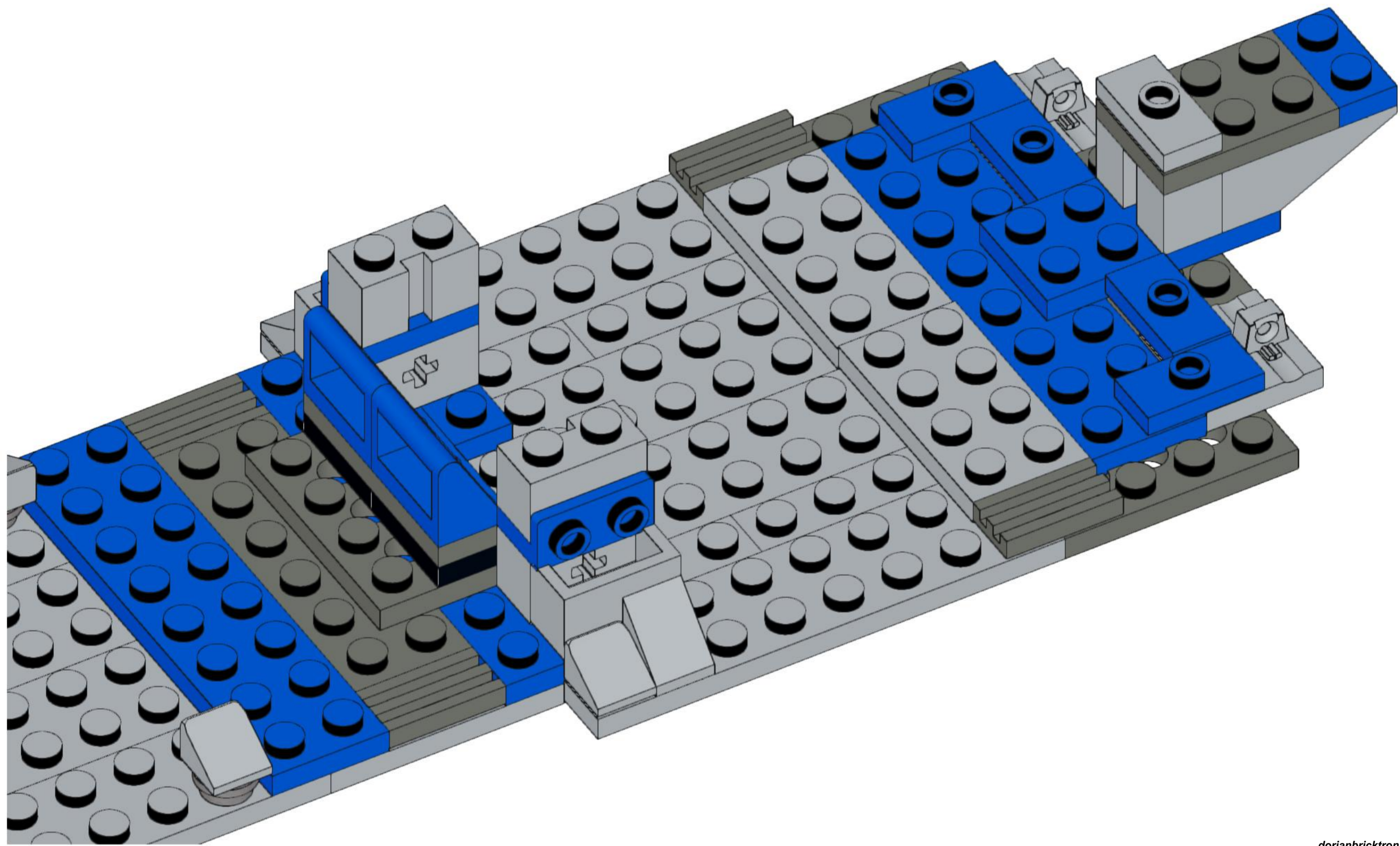
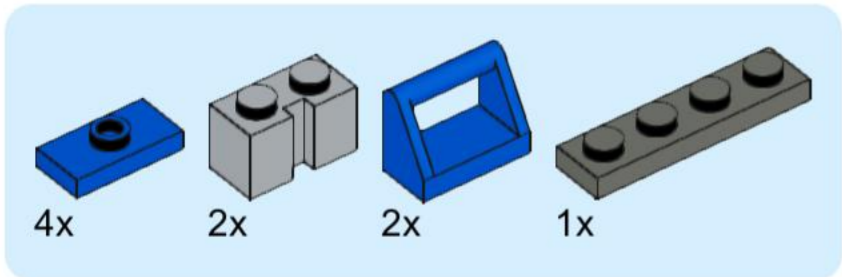
9

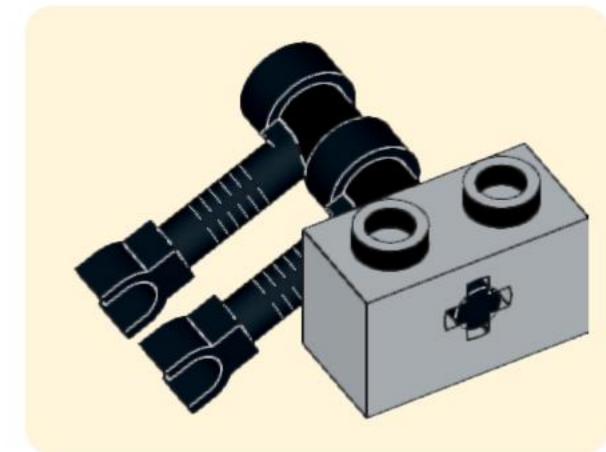
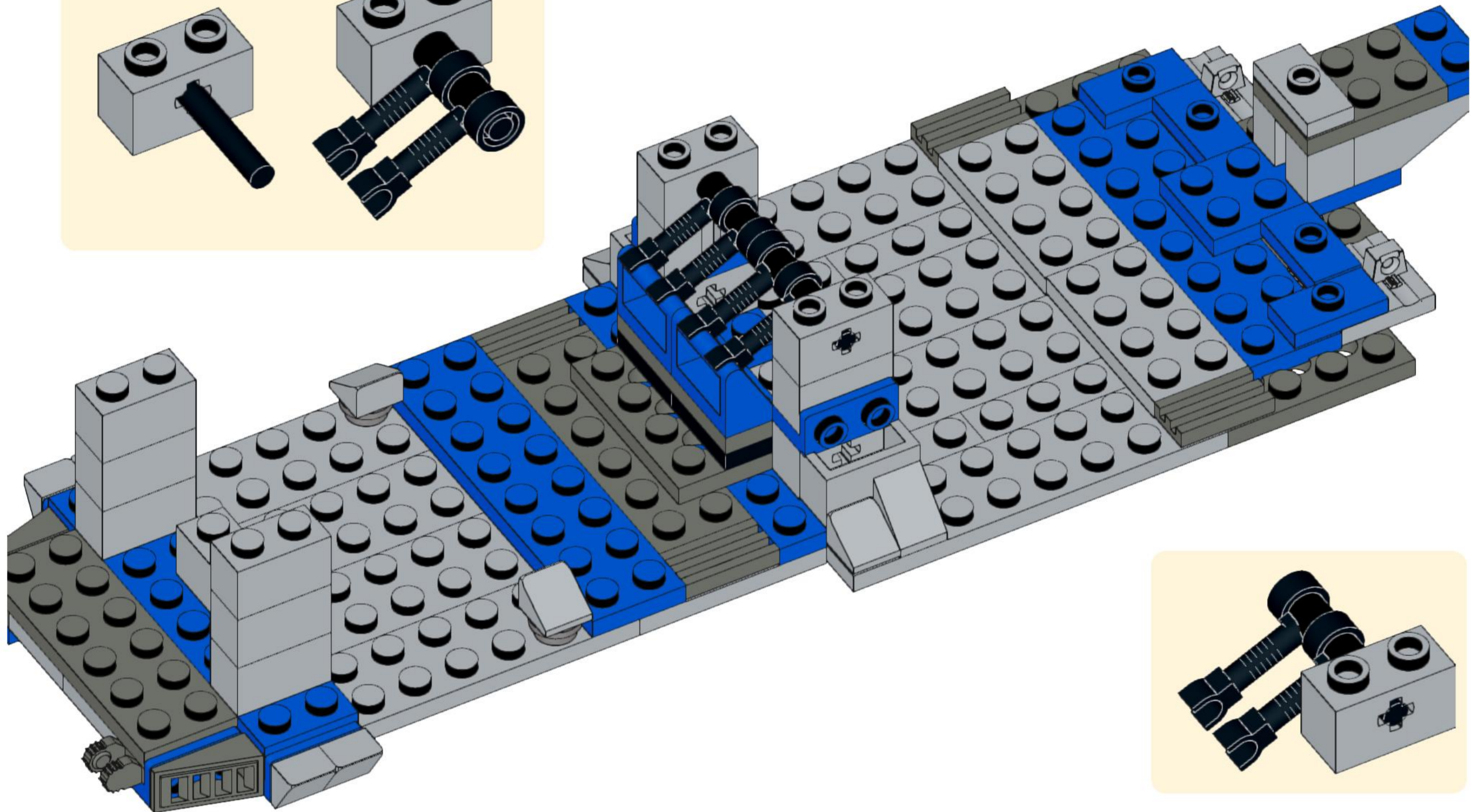
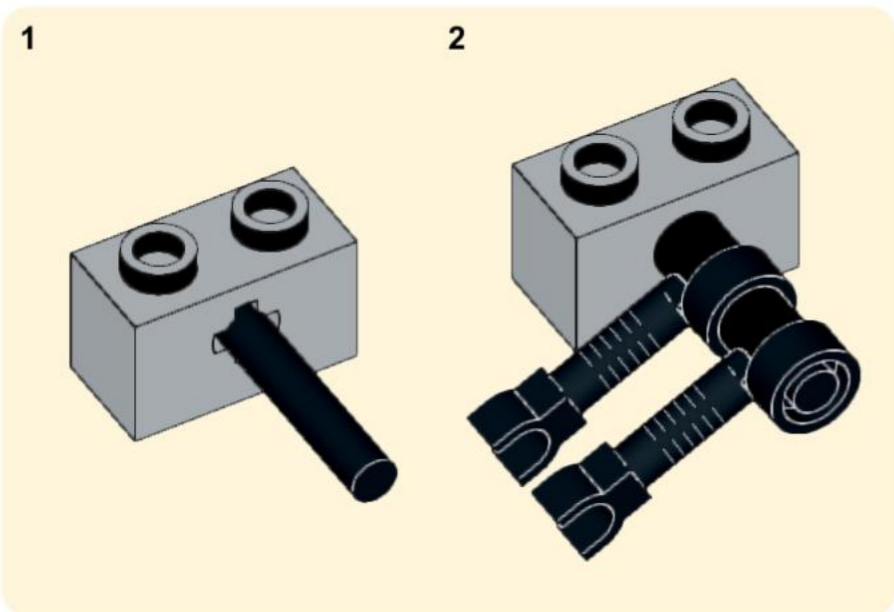
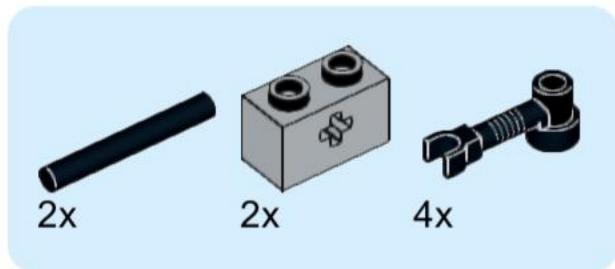


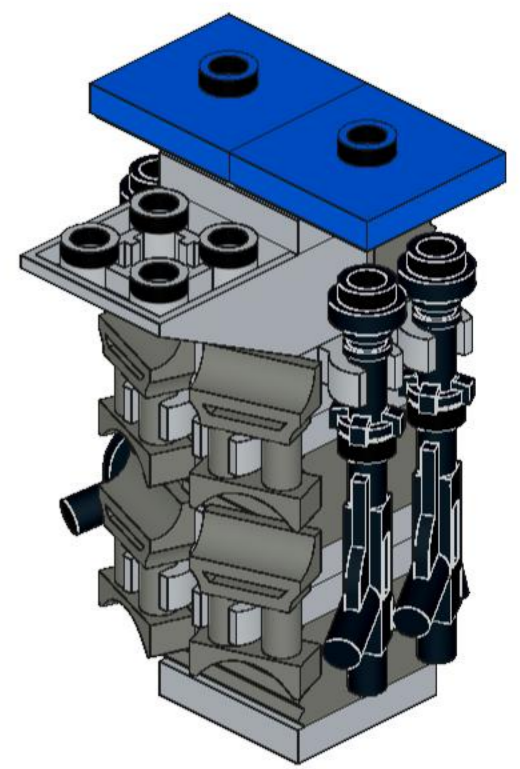
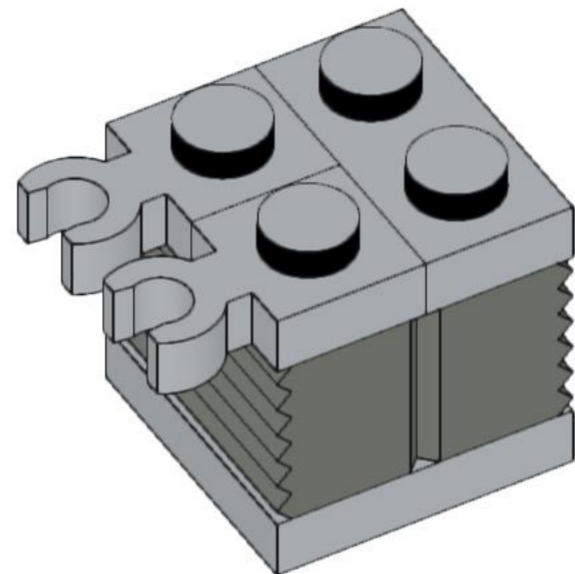
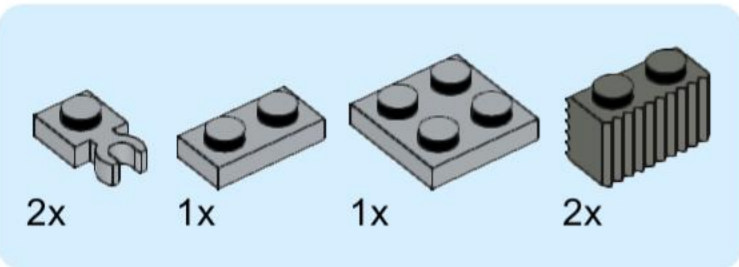




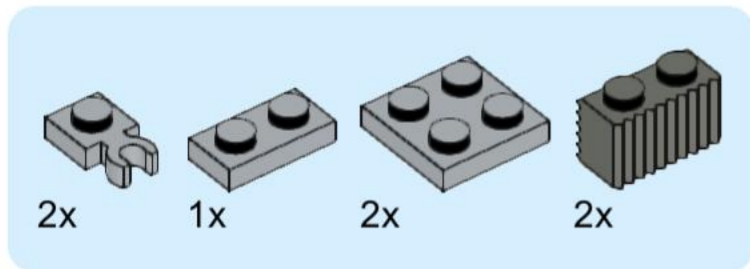




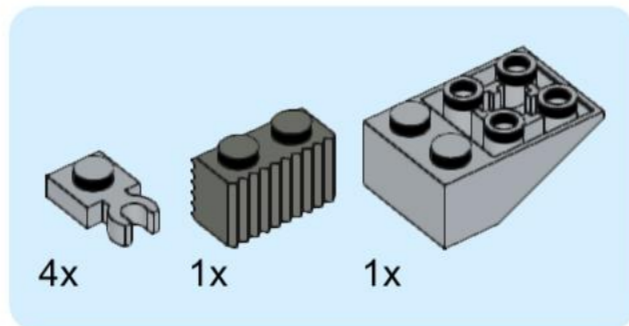




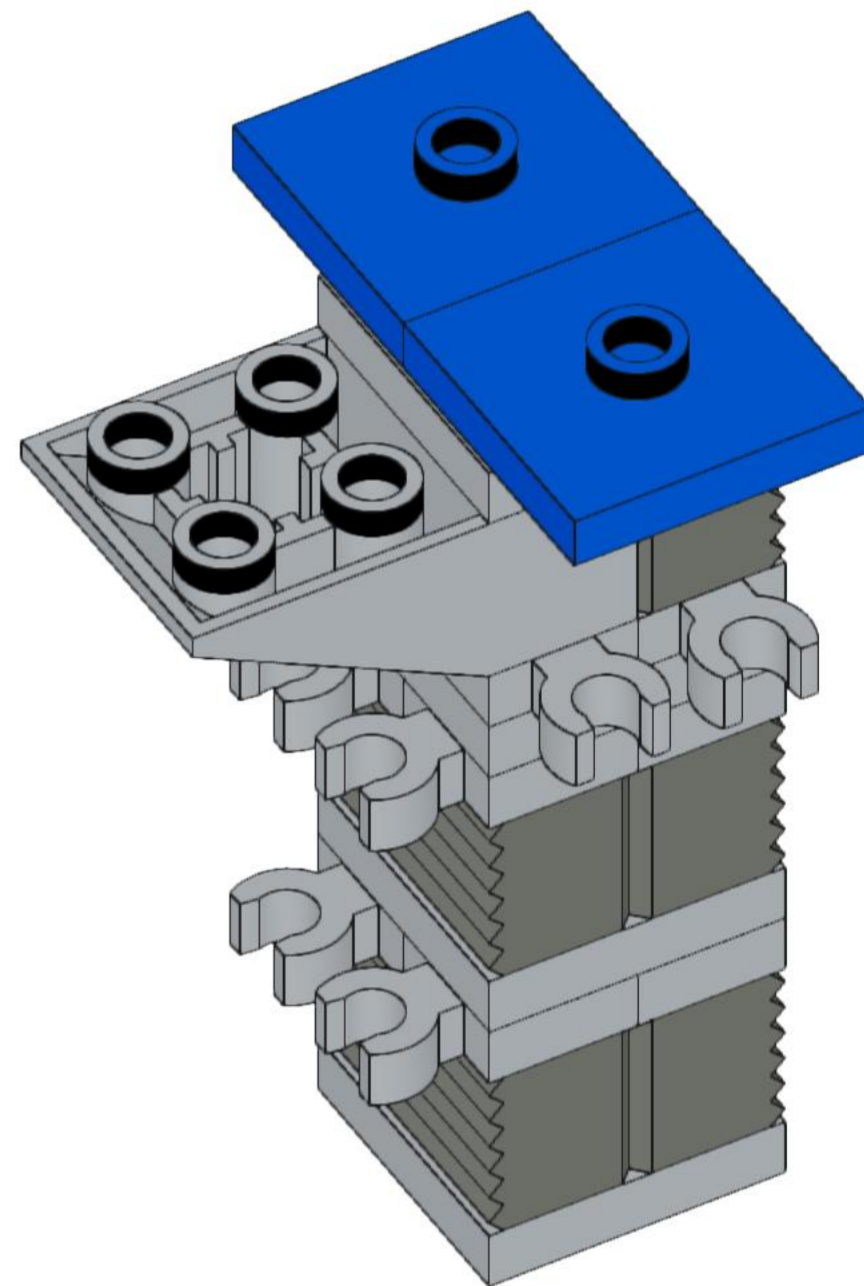
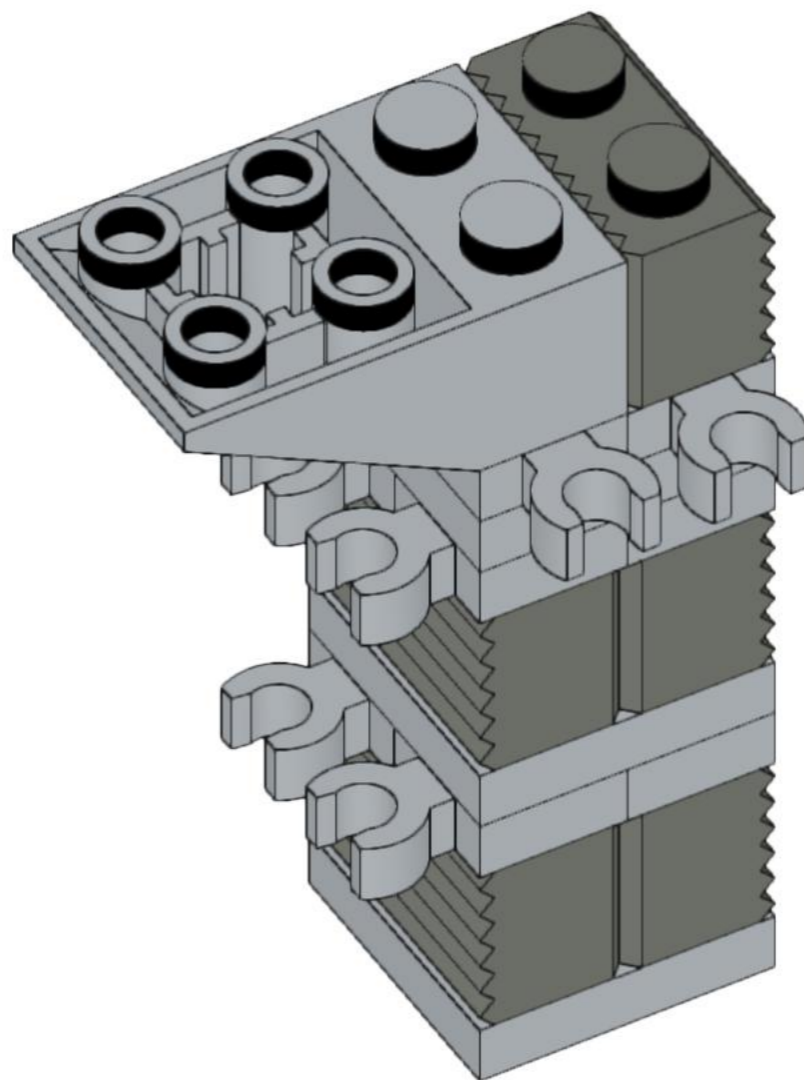
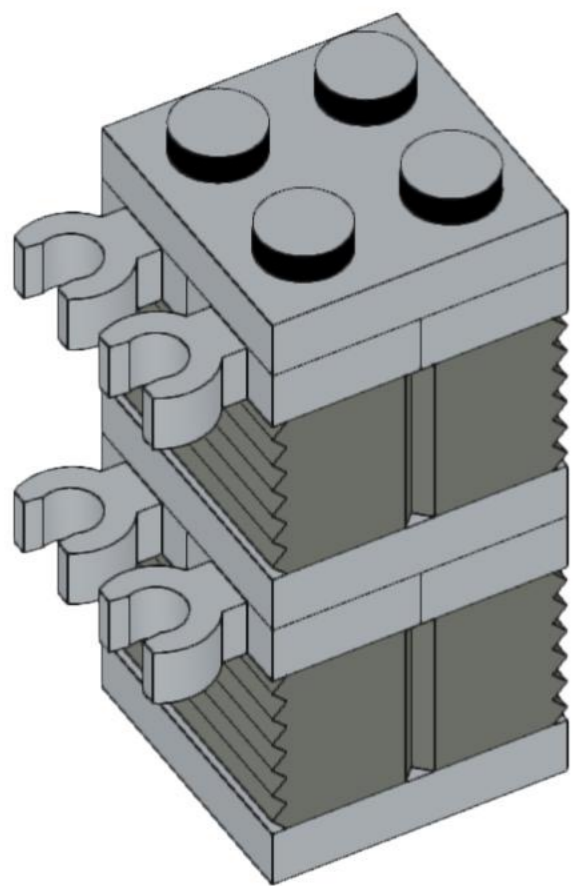
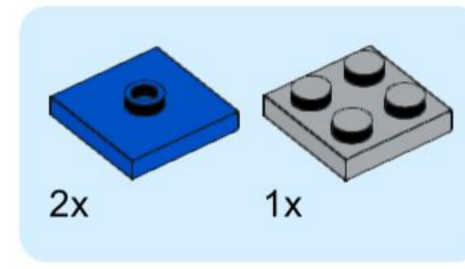
16



17



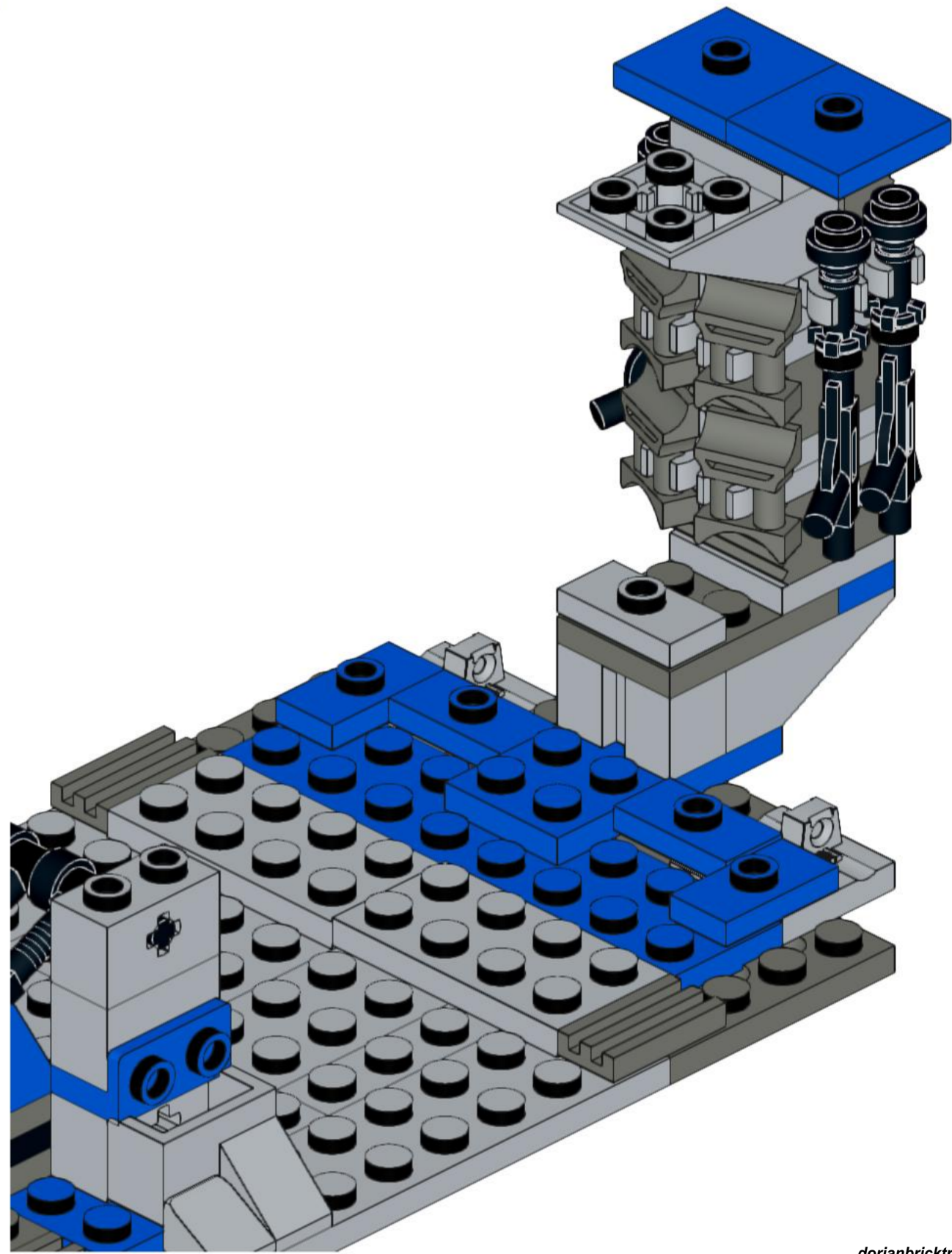
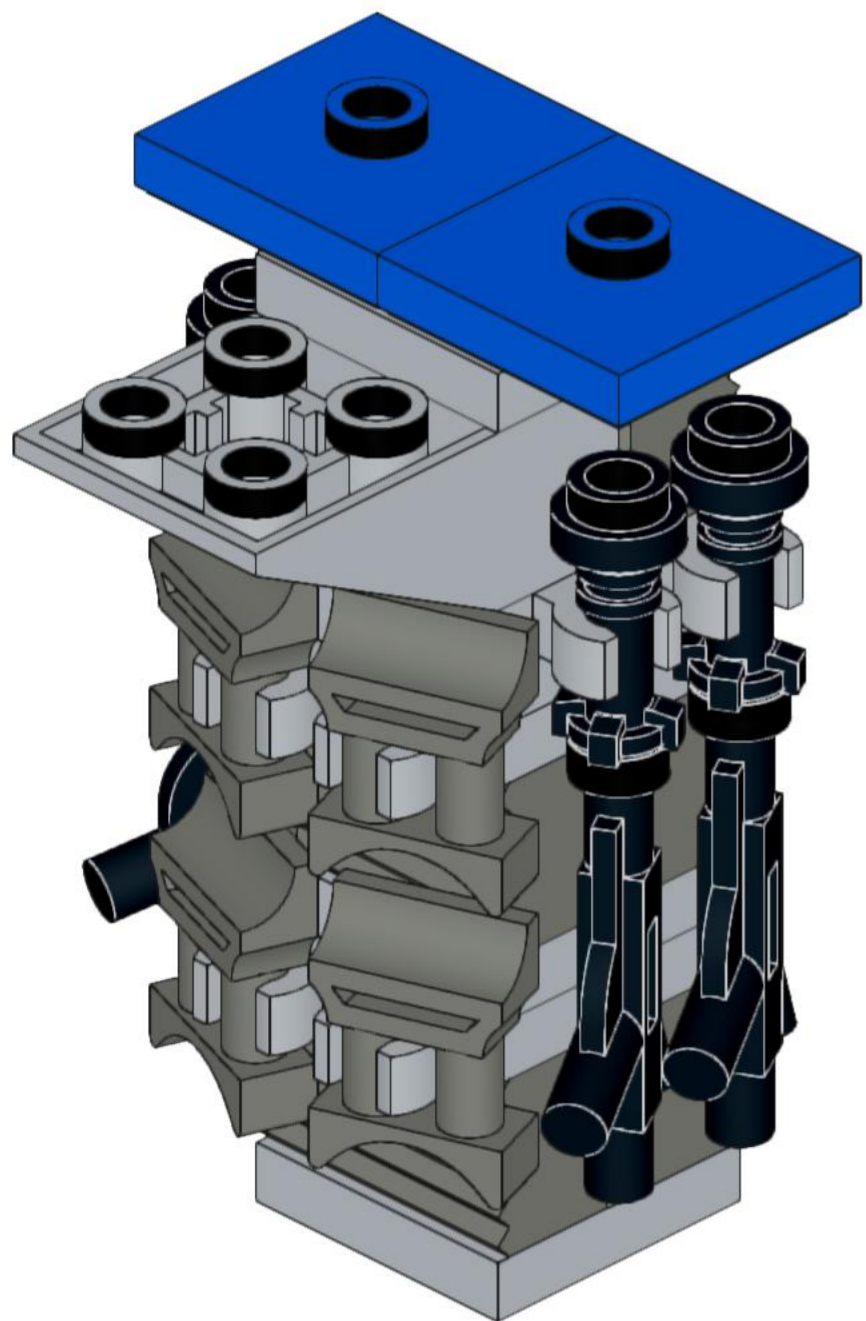
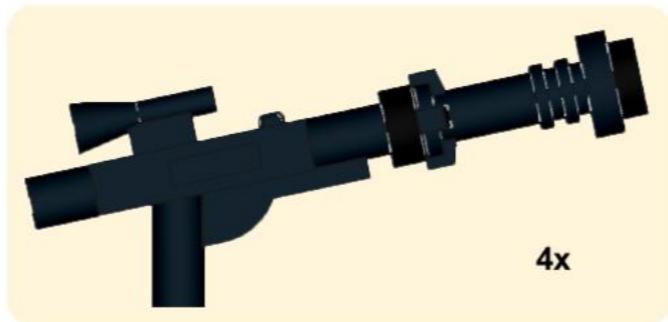
18

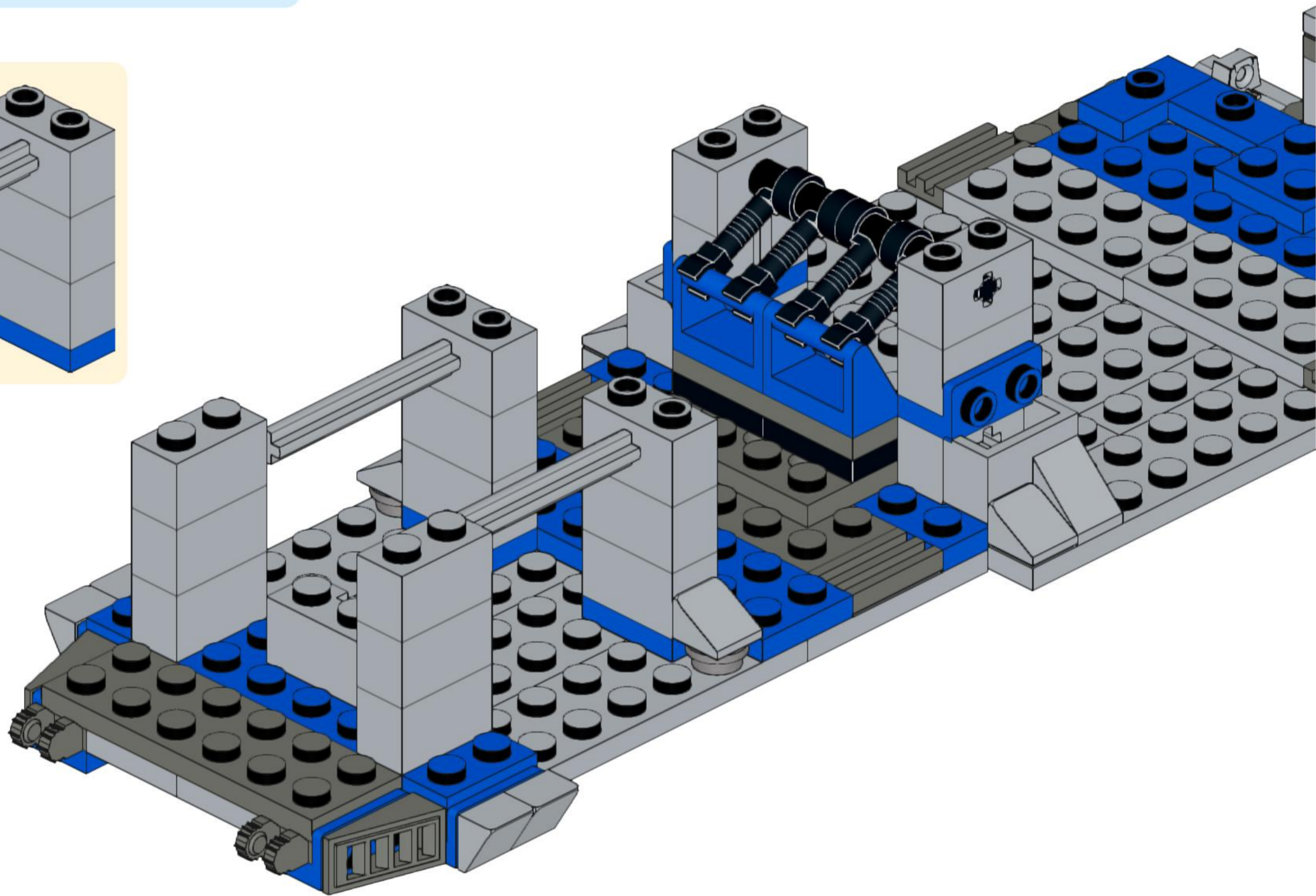
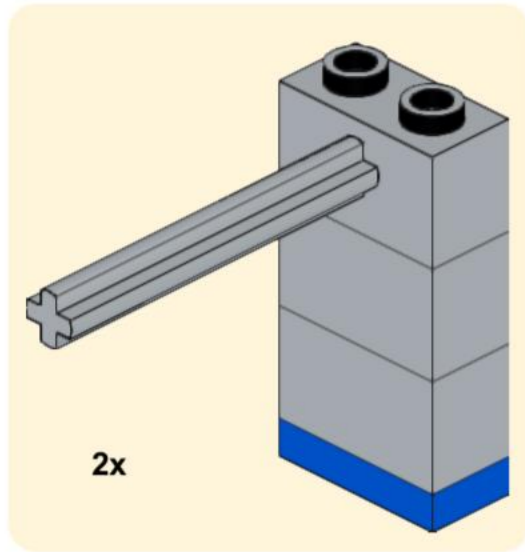
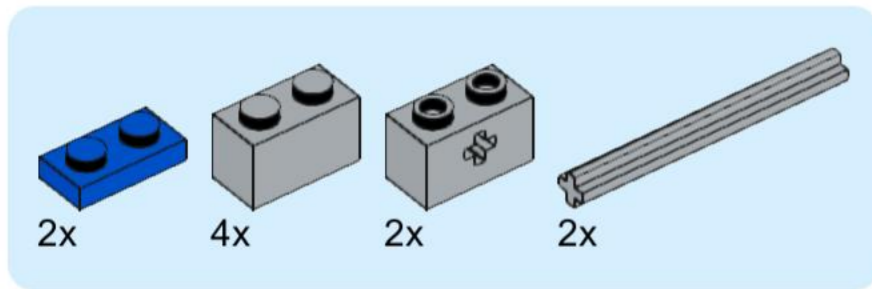


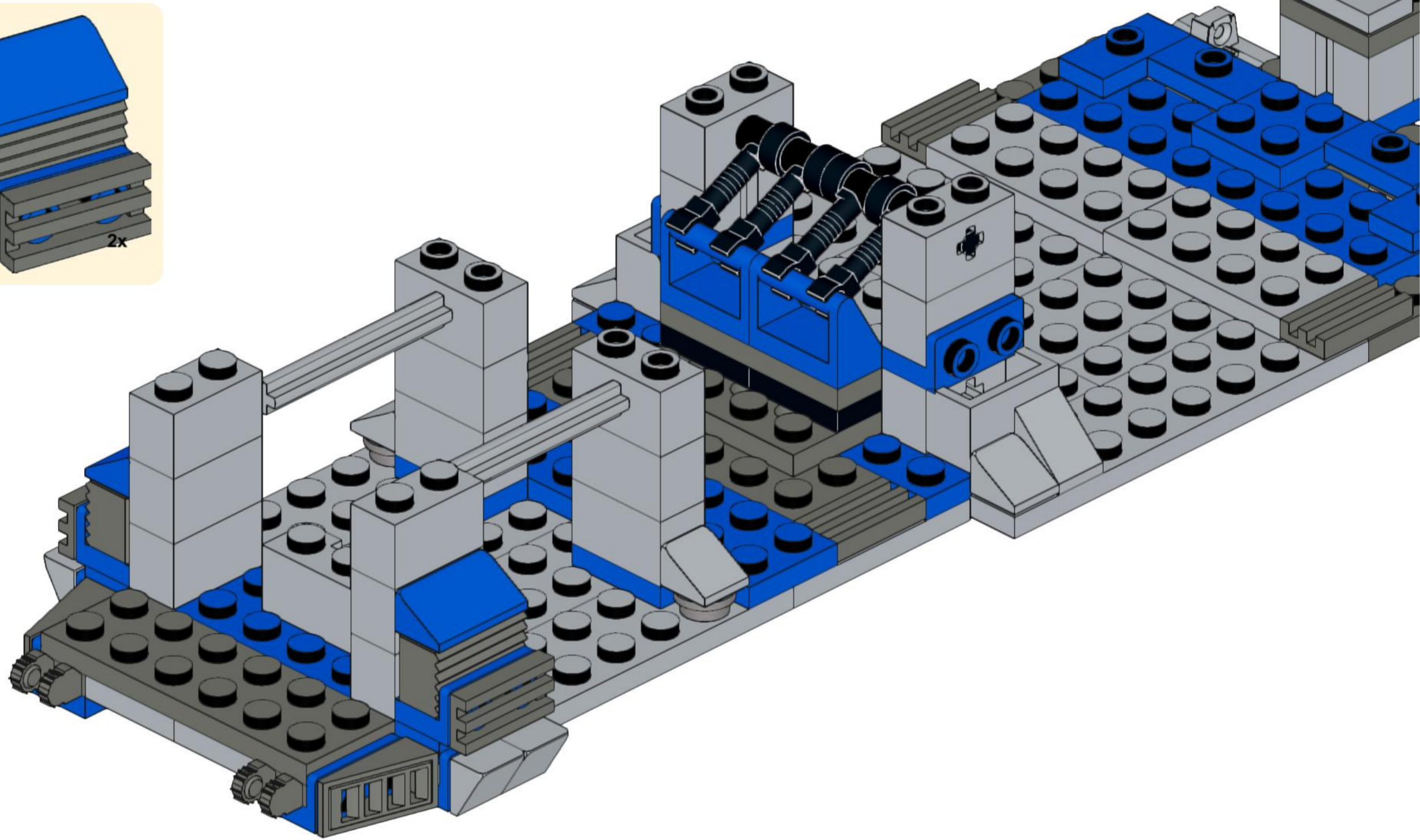
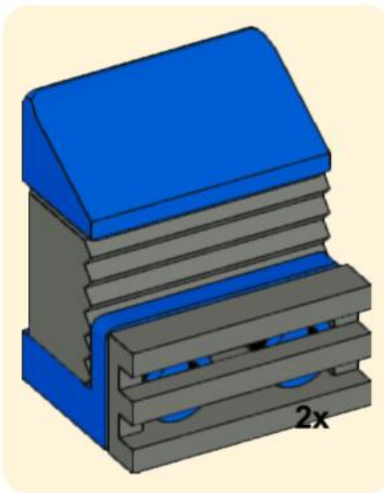
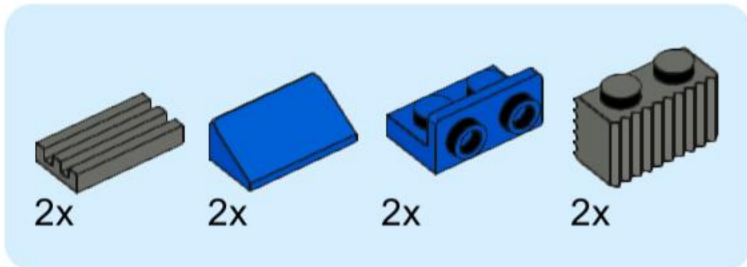
19

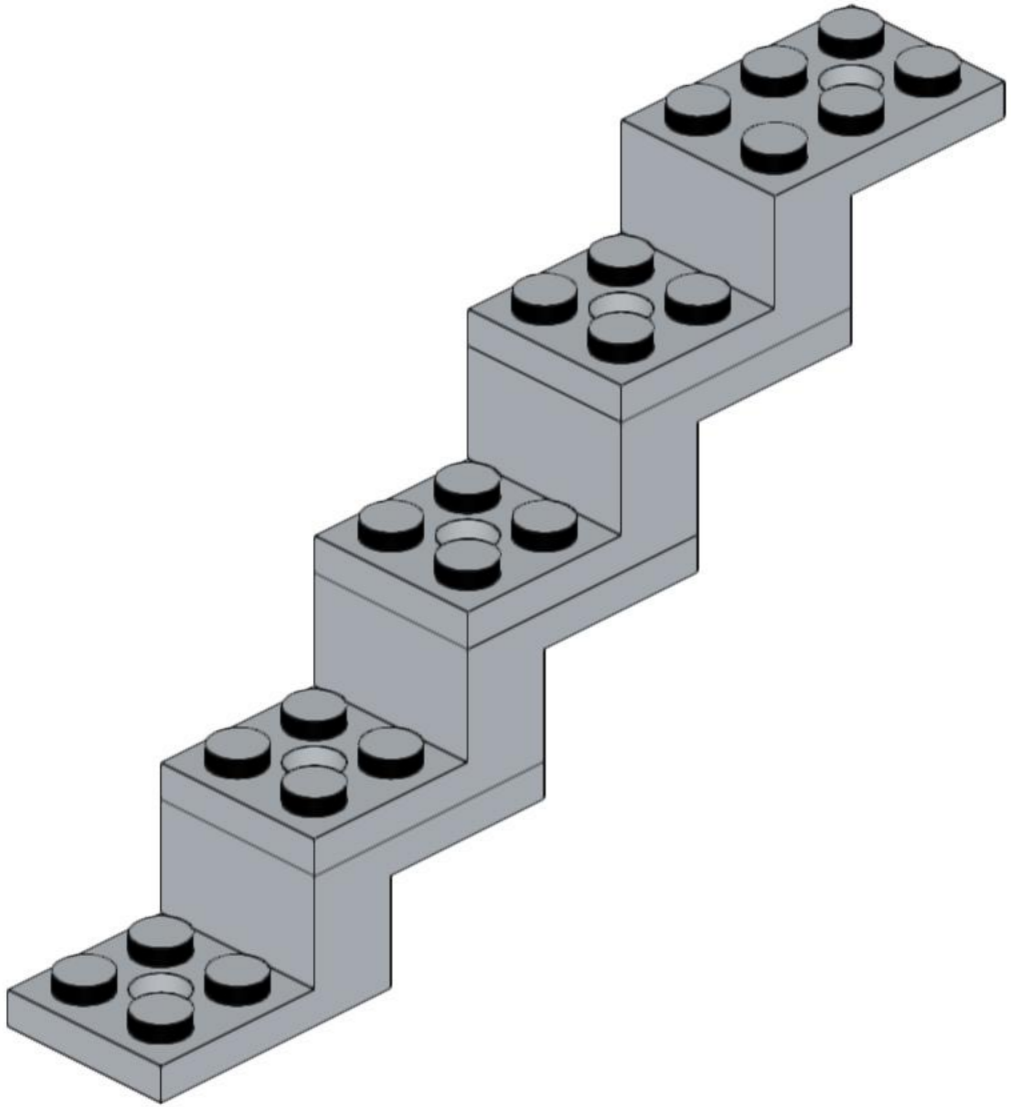
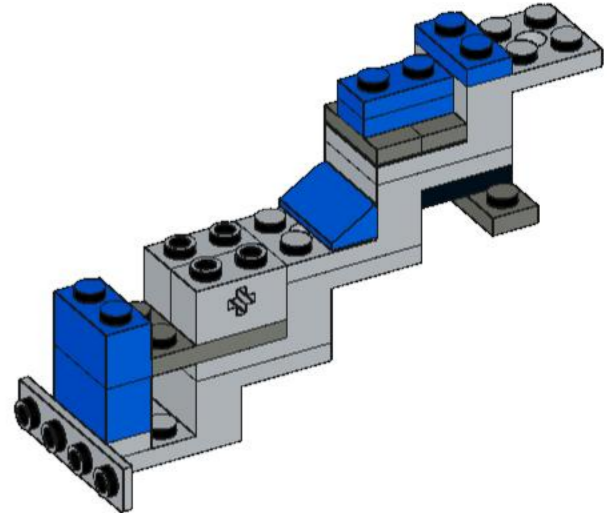
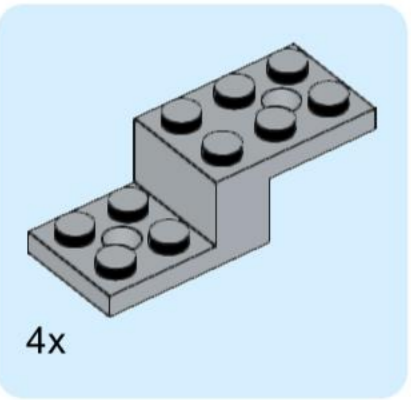


20

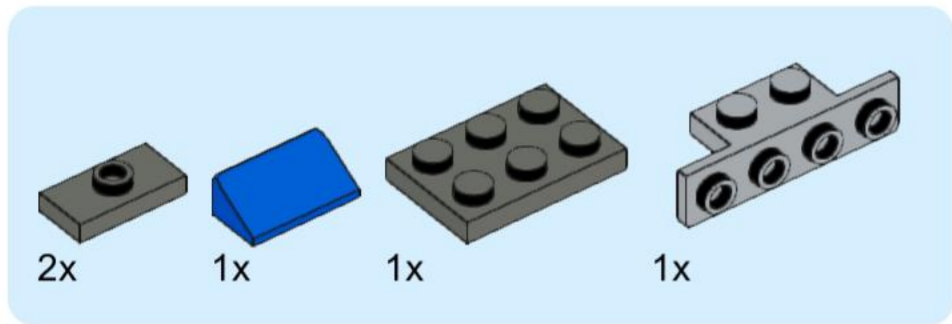




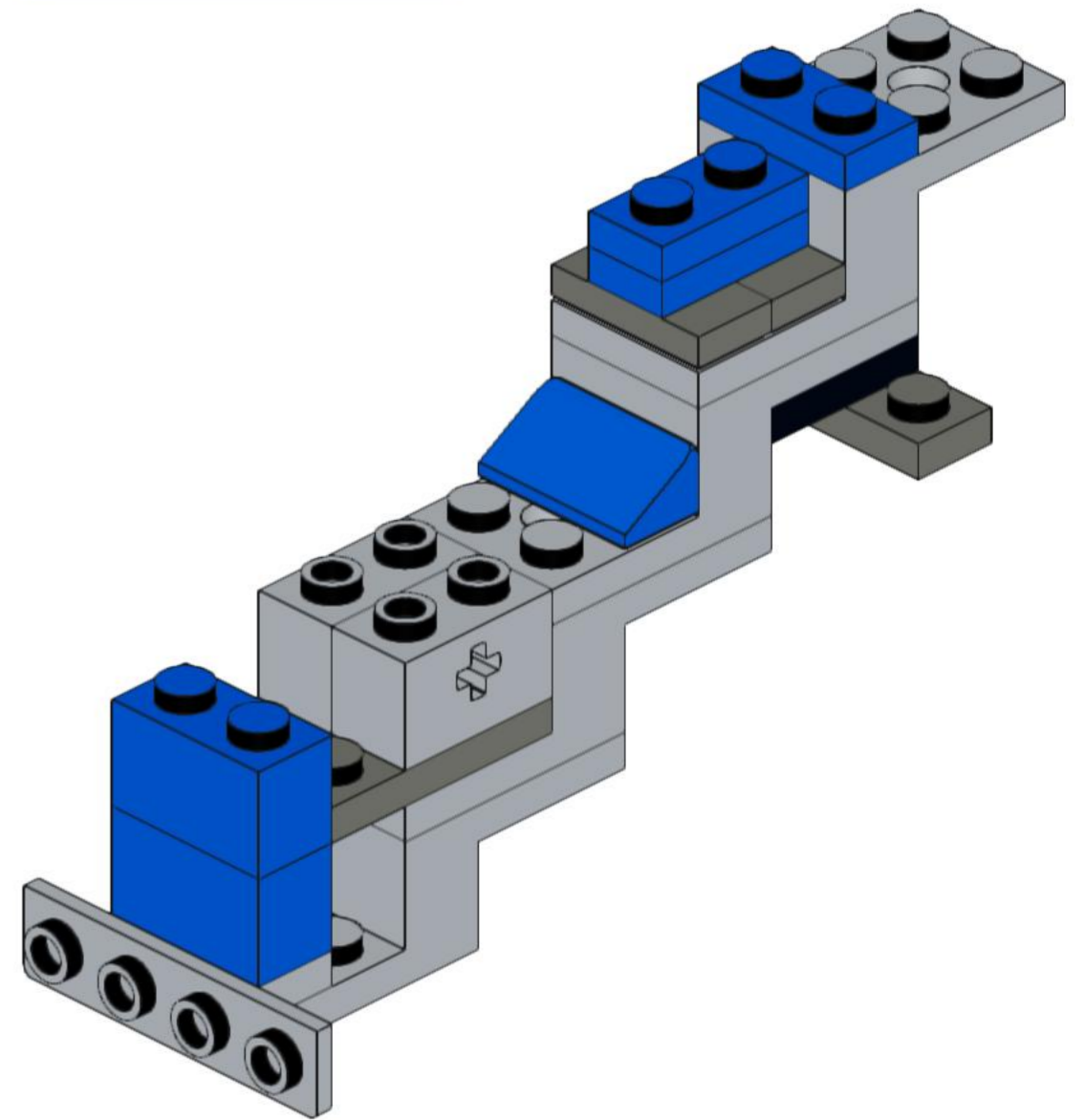
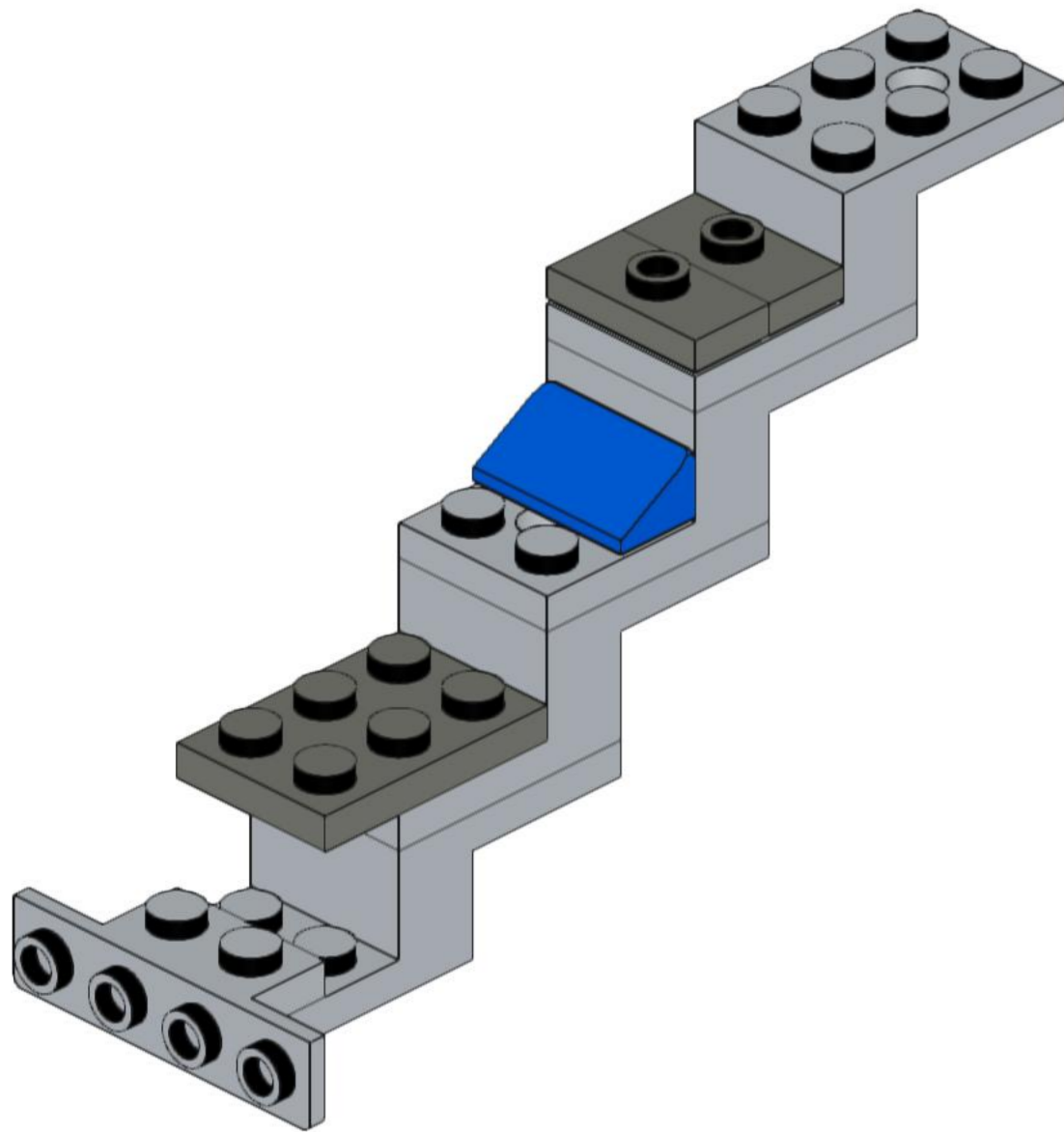
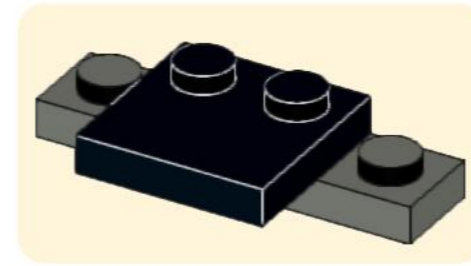
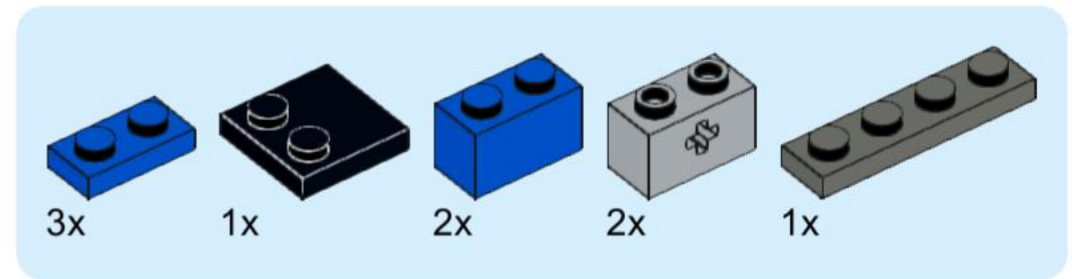


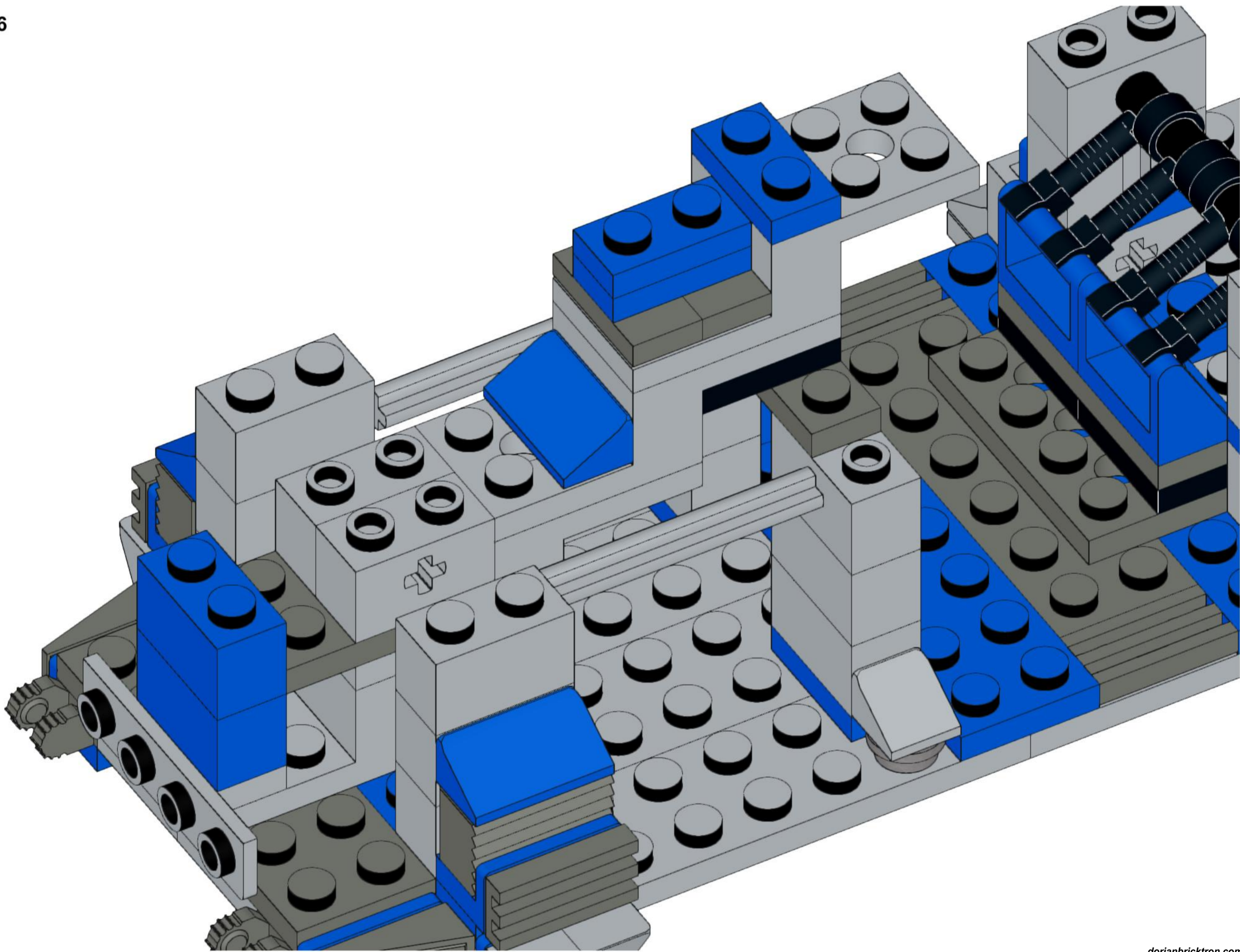


24

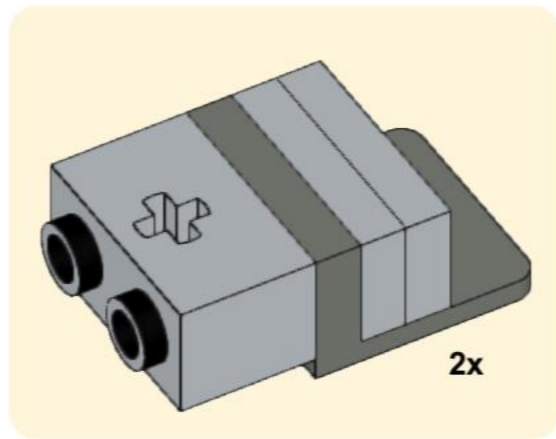
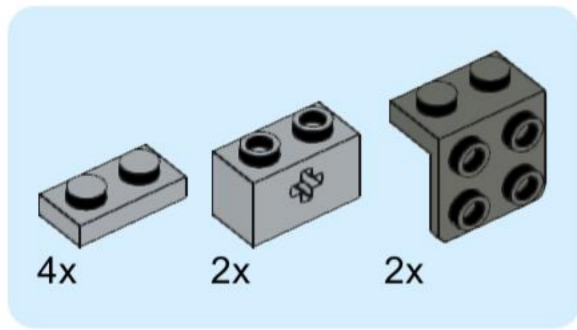


25

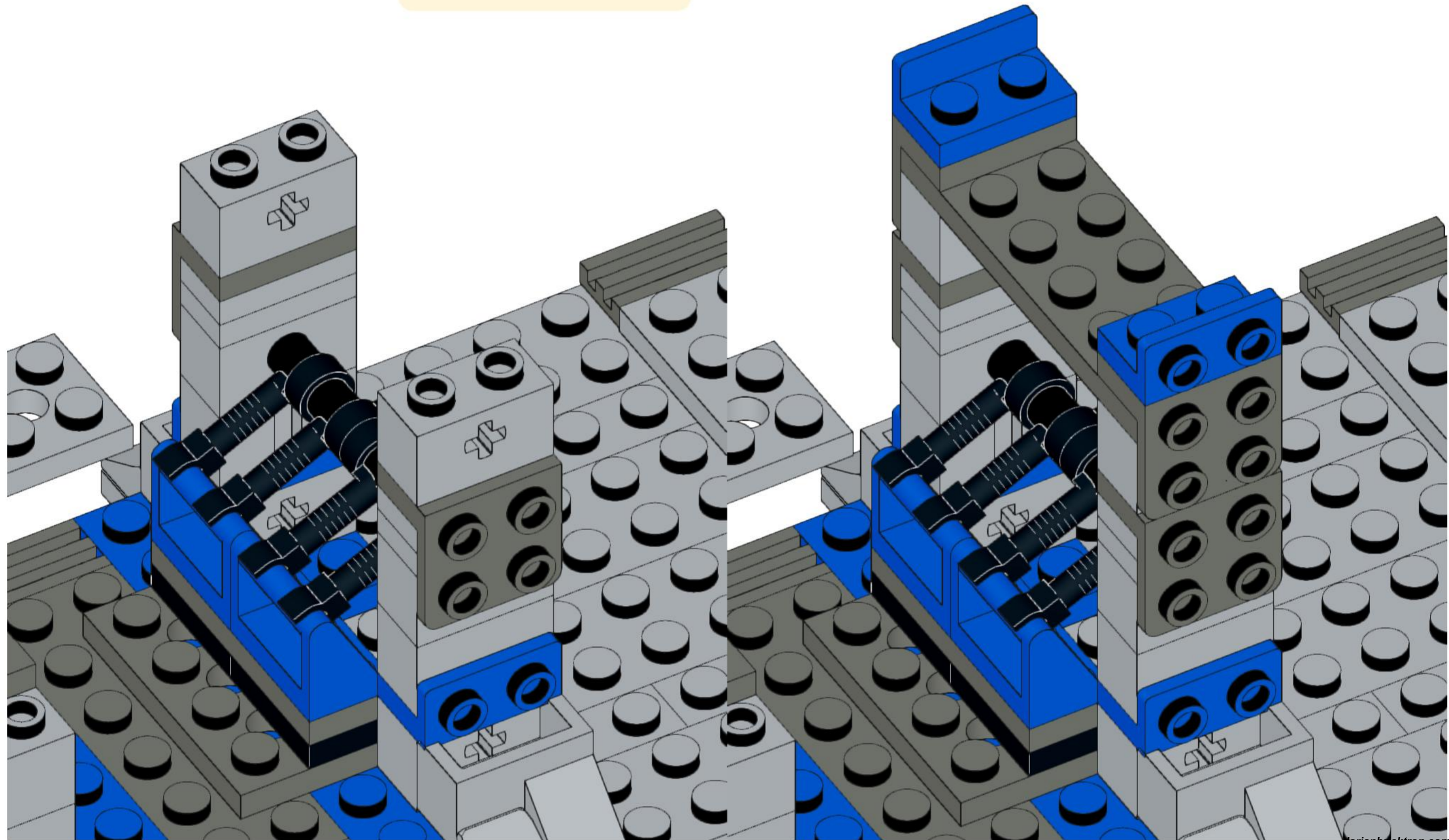
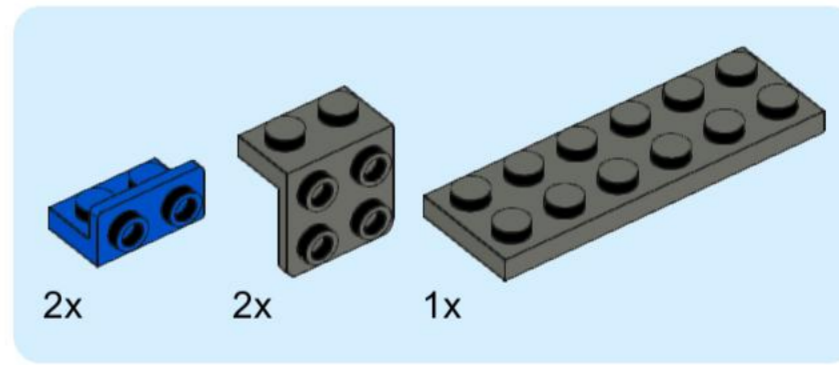




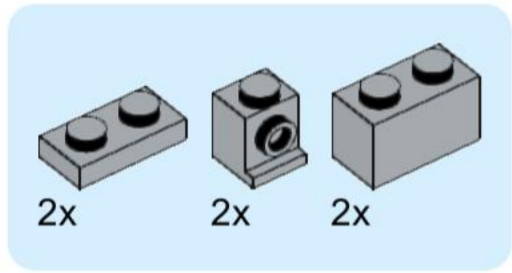
27



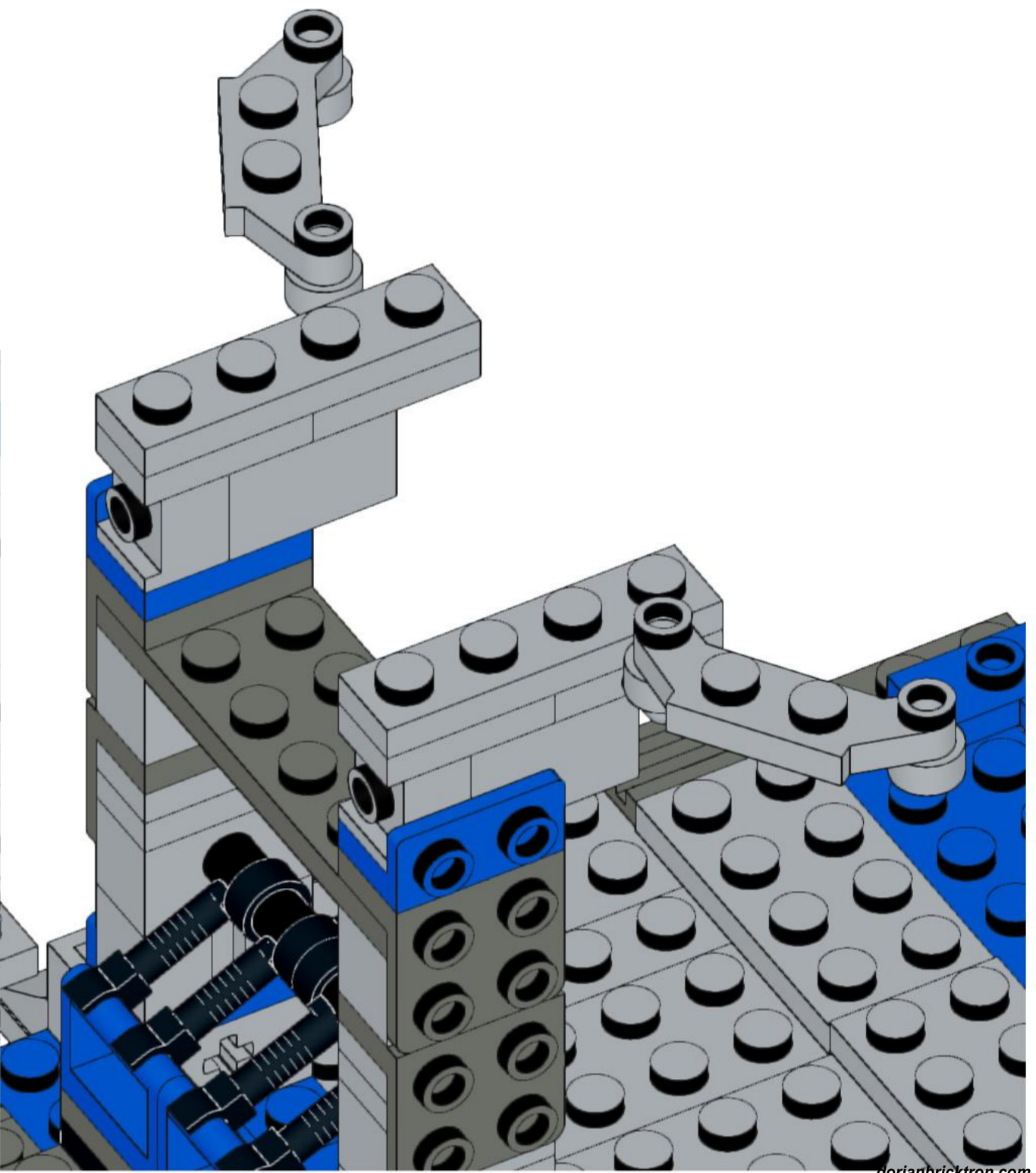
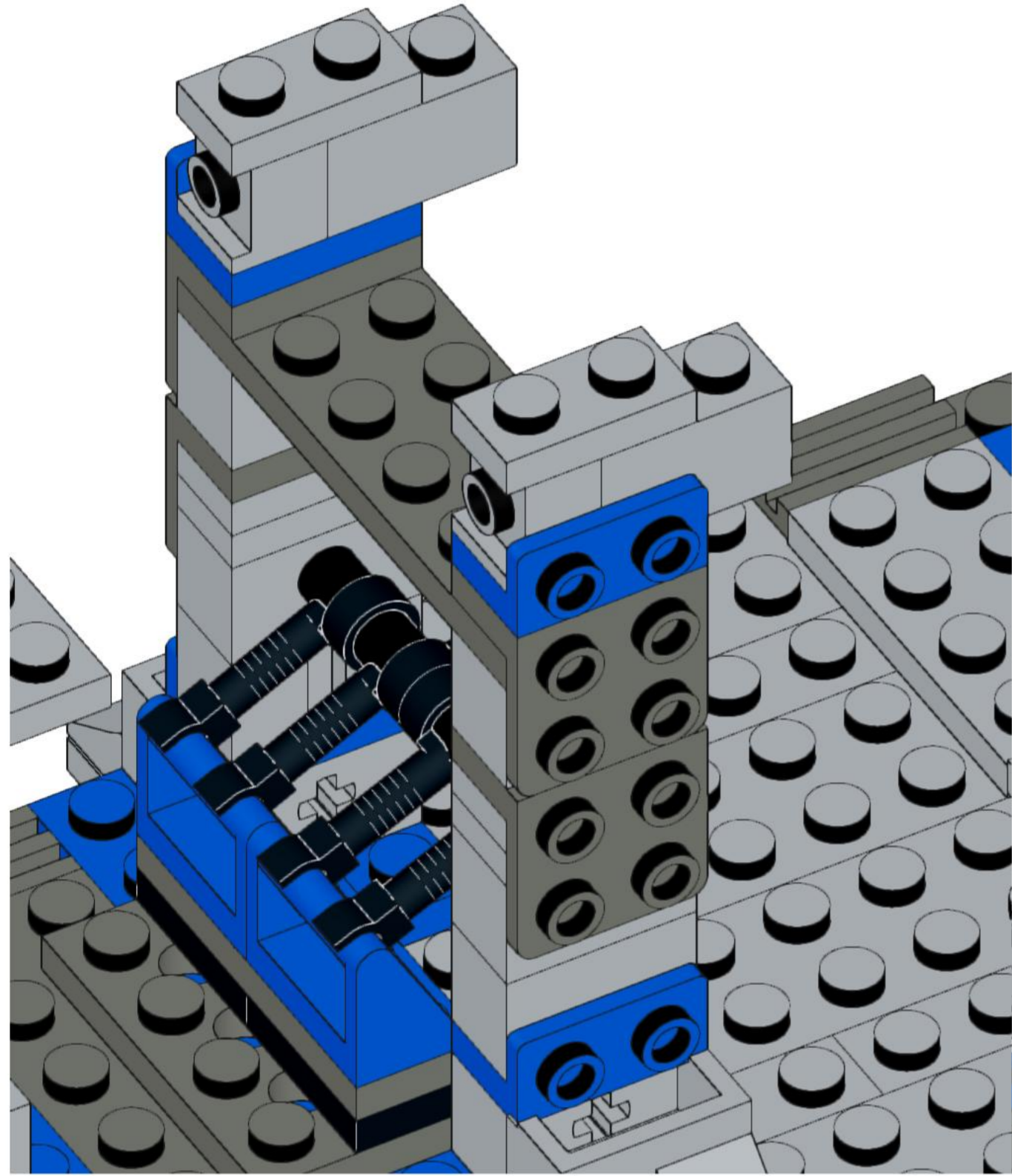
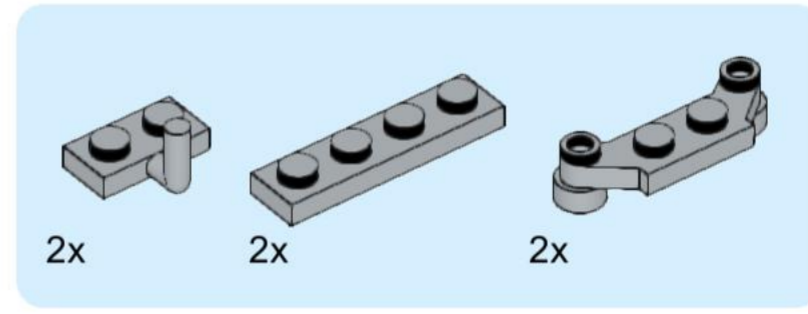
28

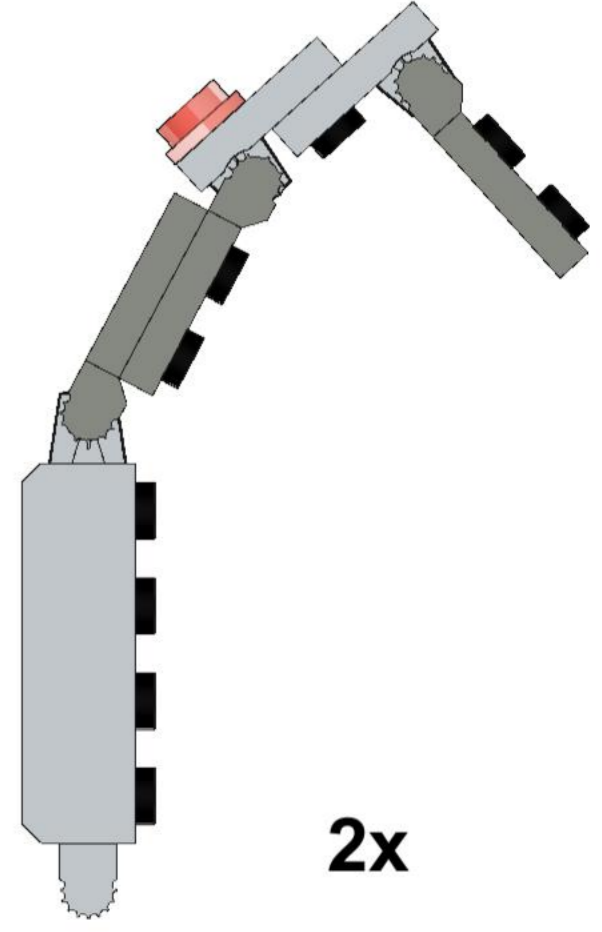
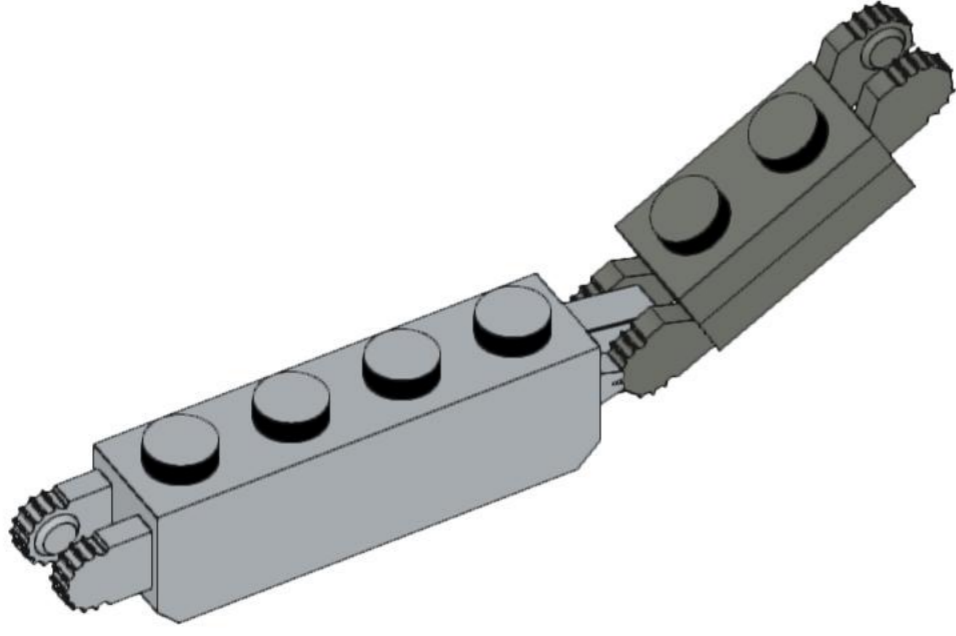
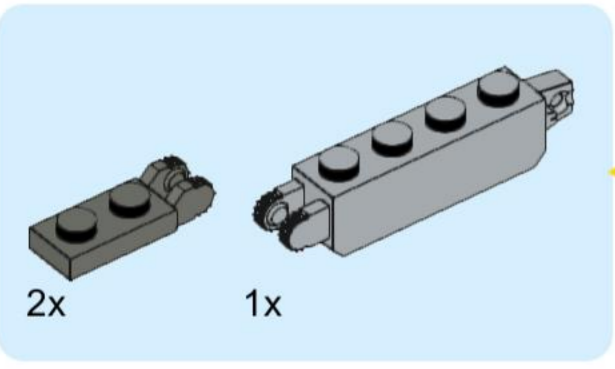


29



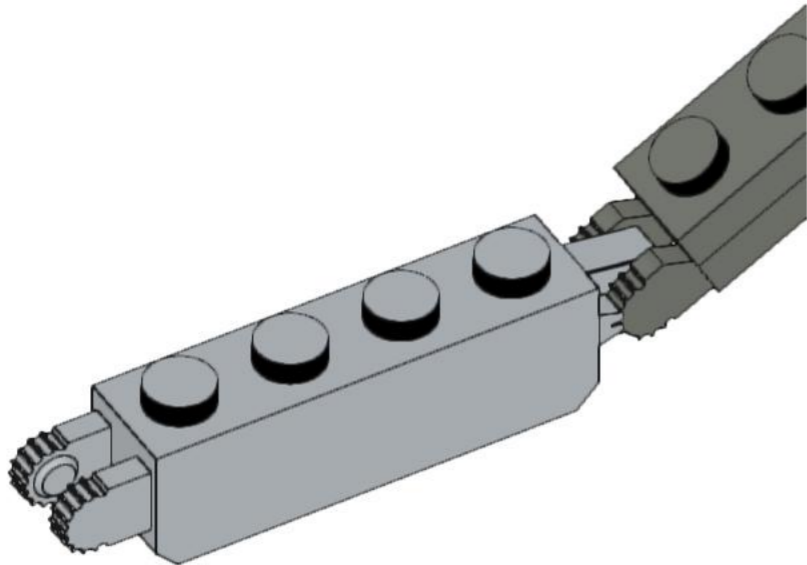
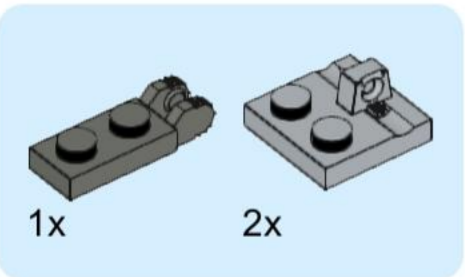
30



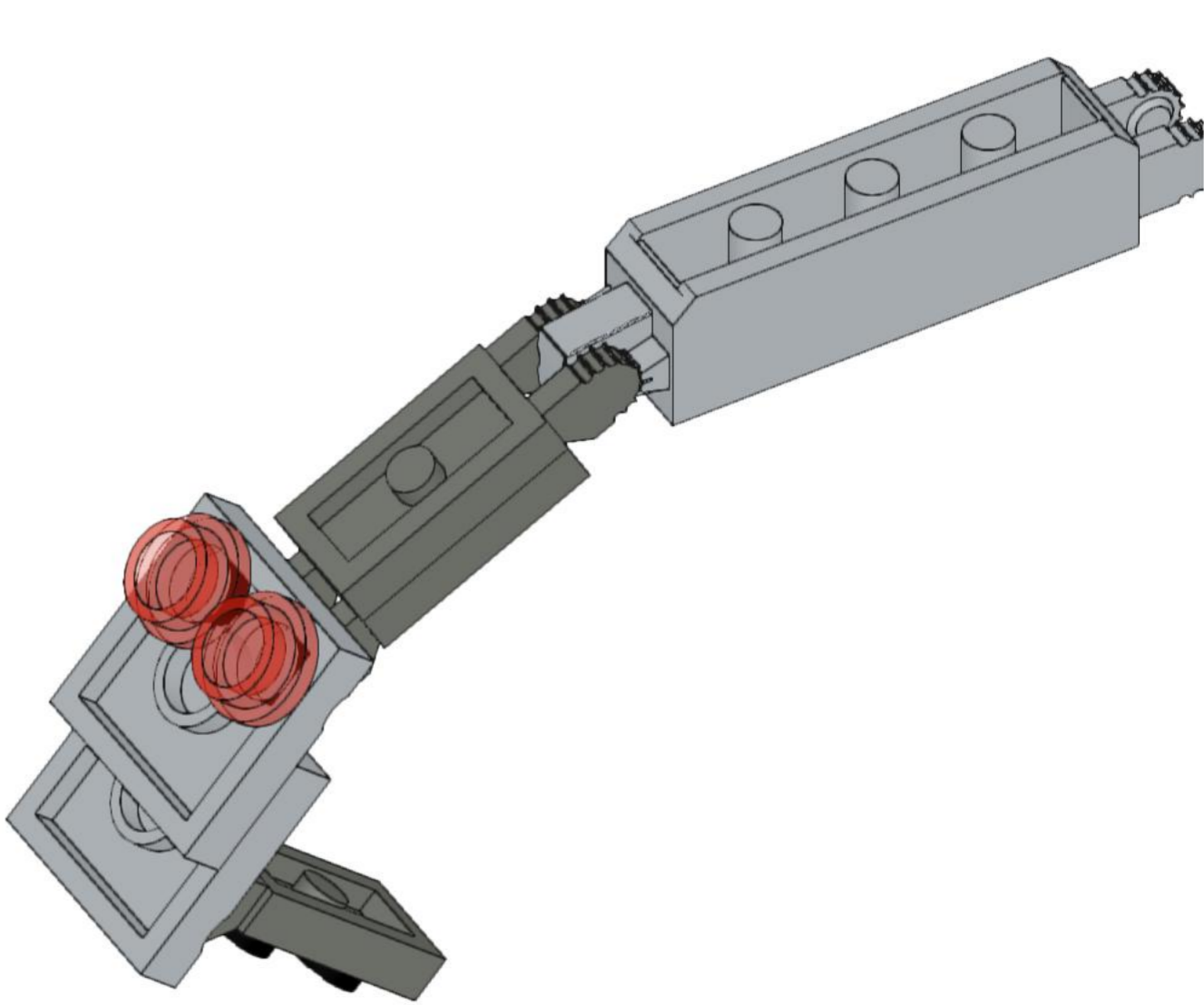


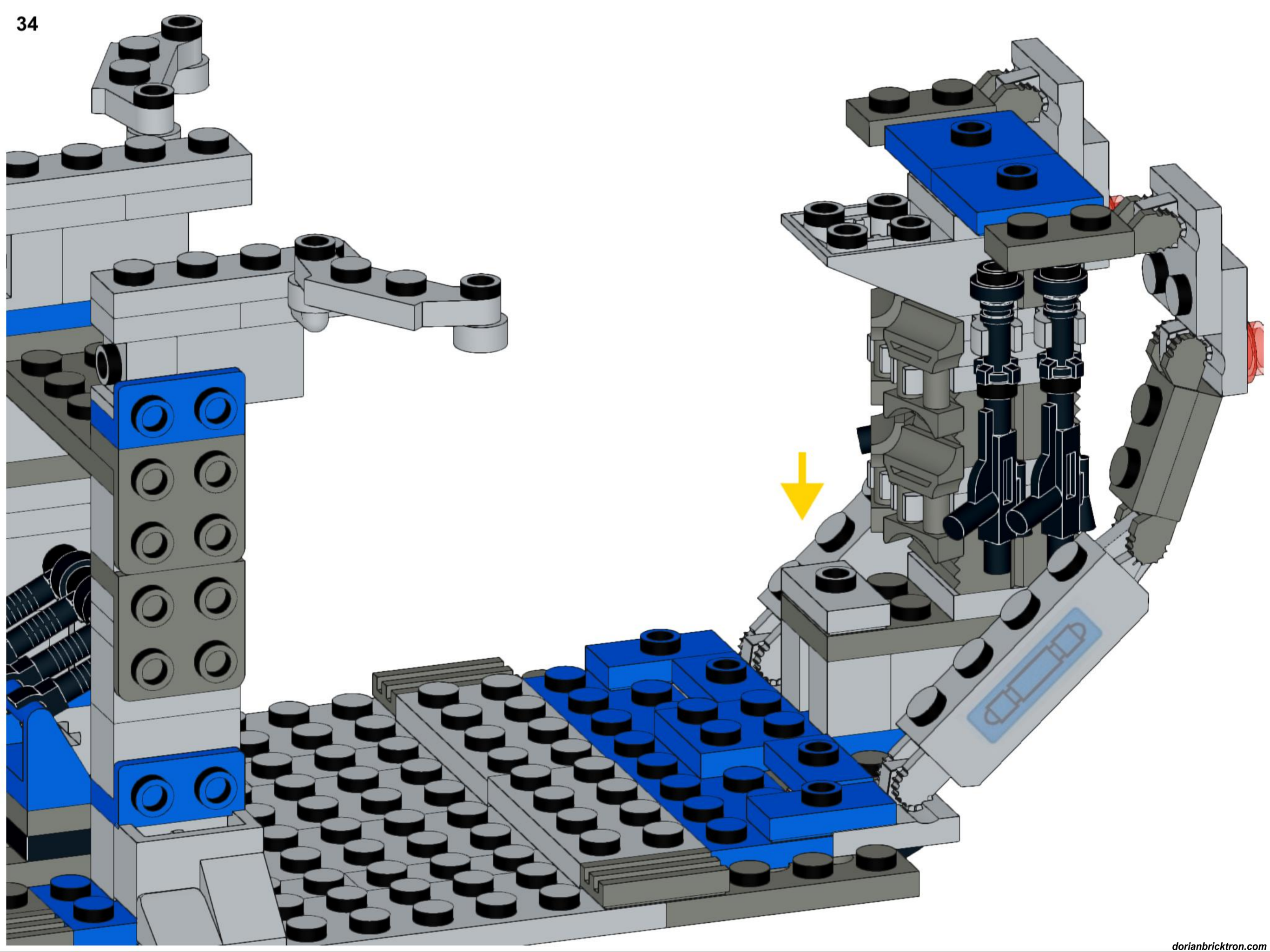
2x

32

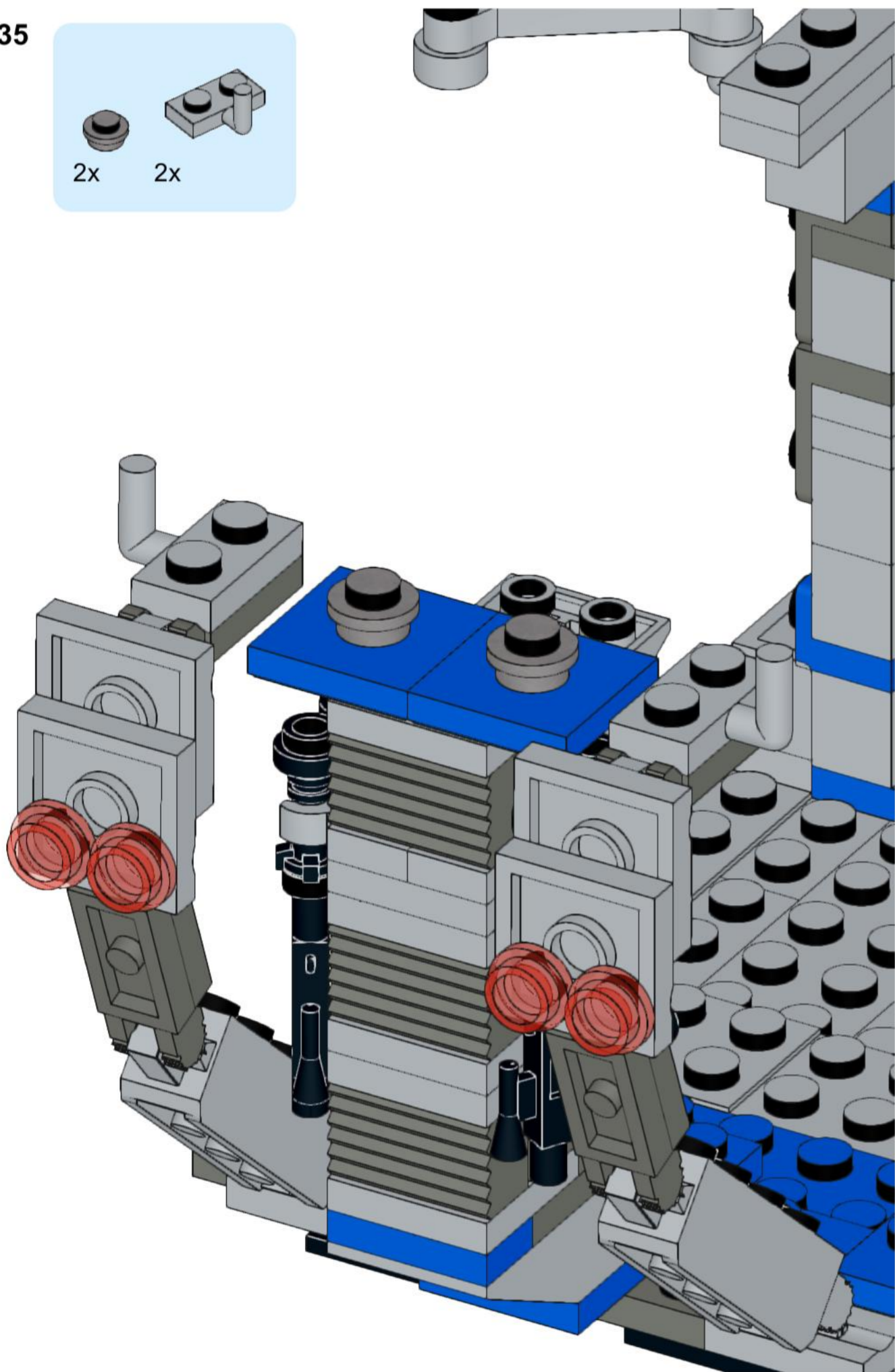
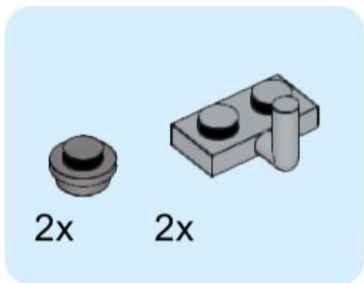


33

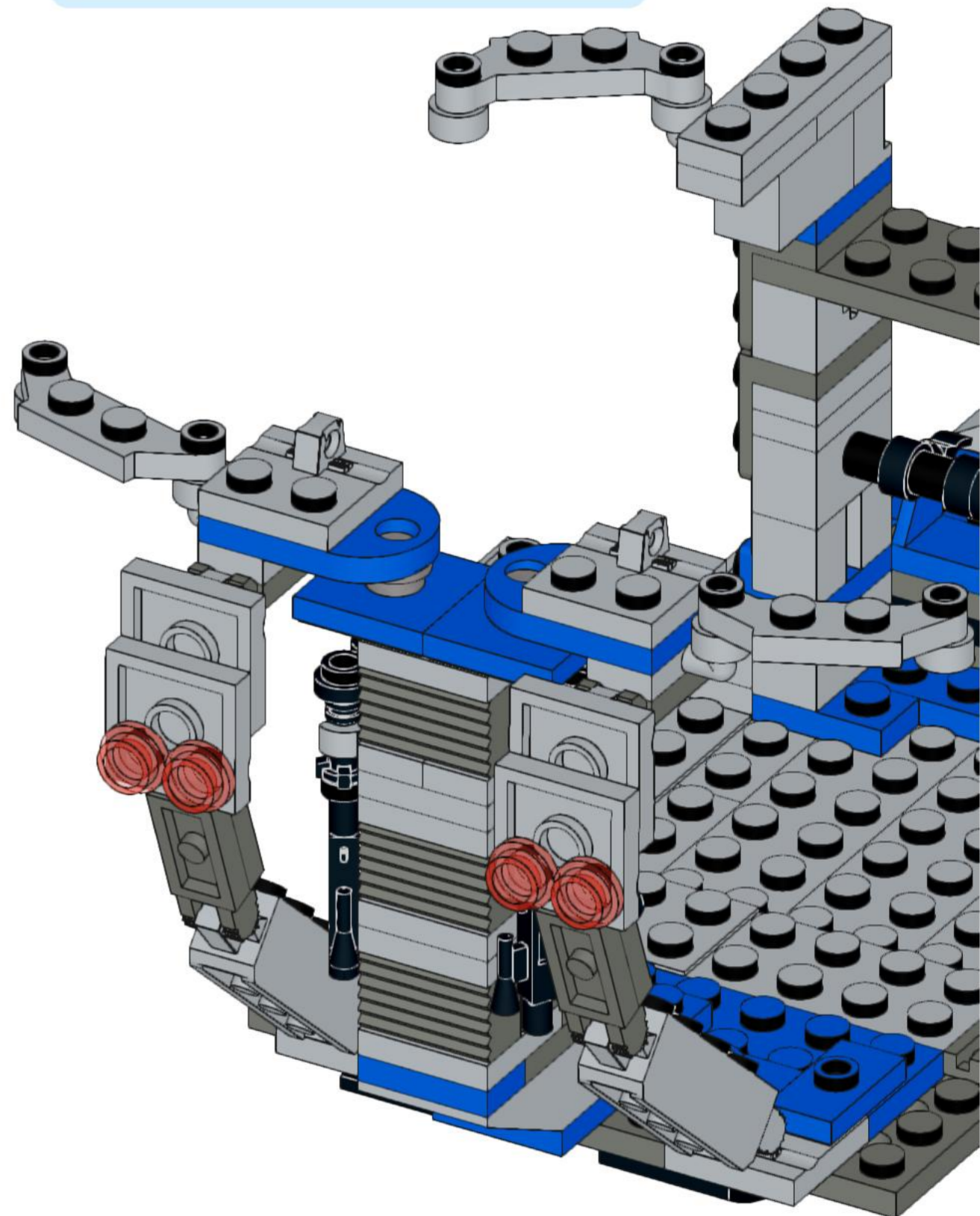
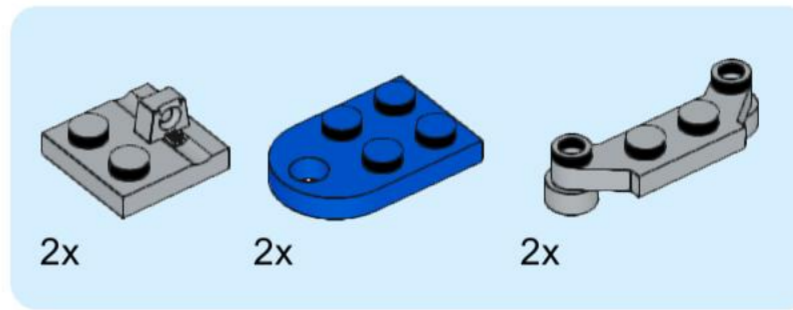




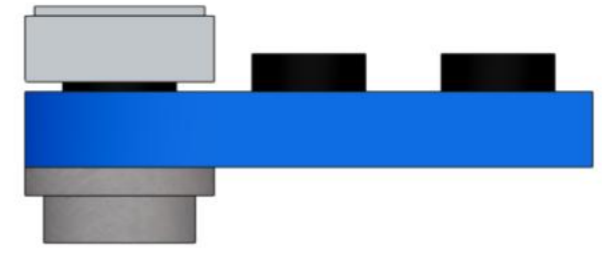
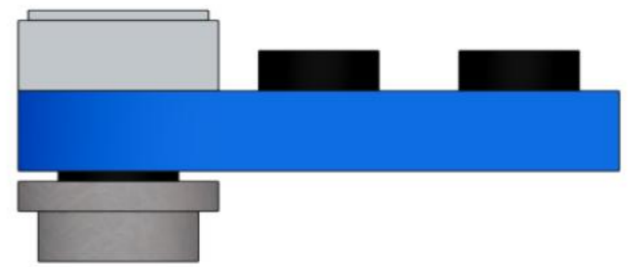
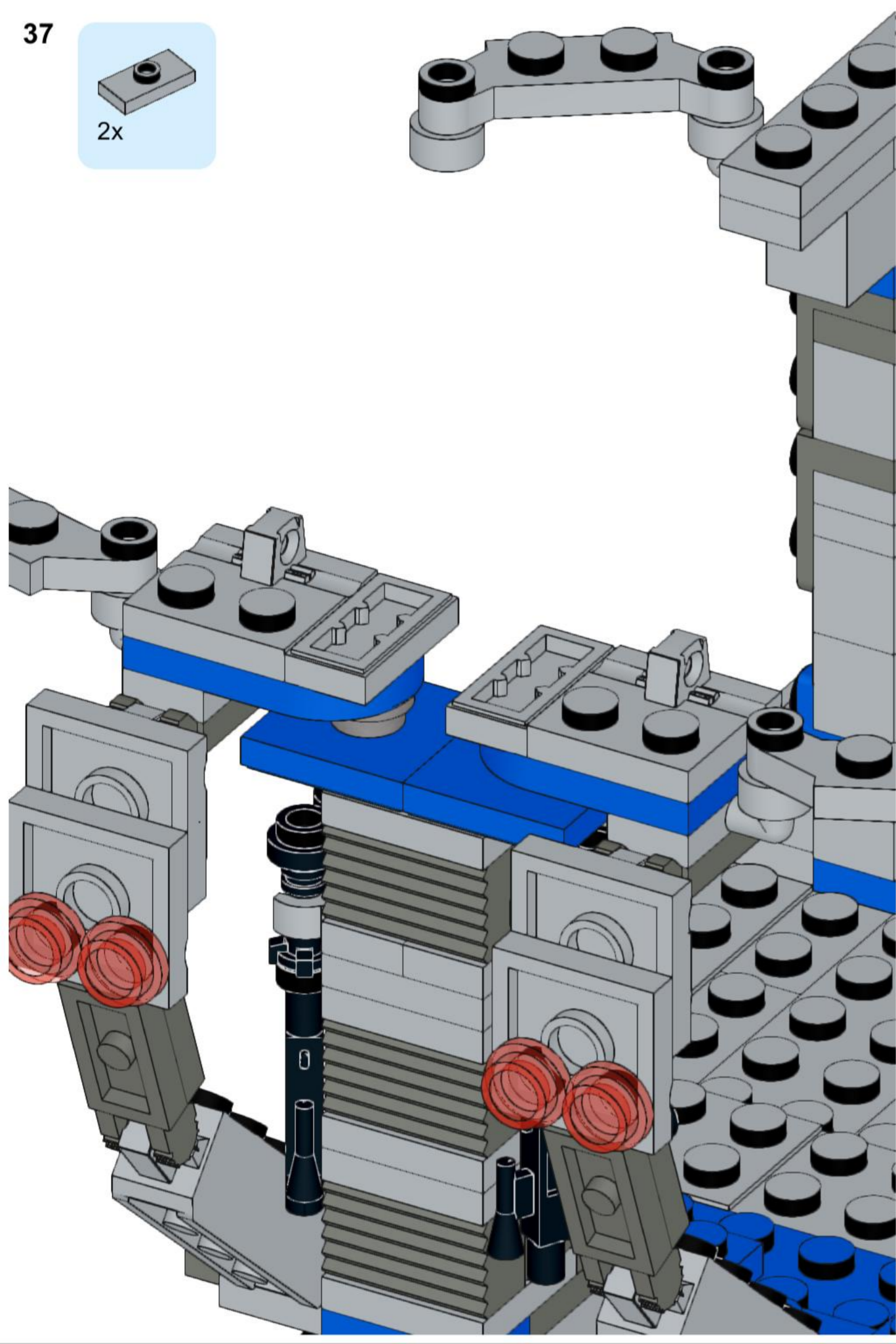
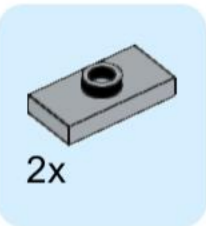
35

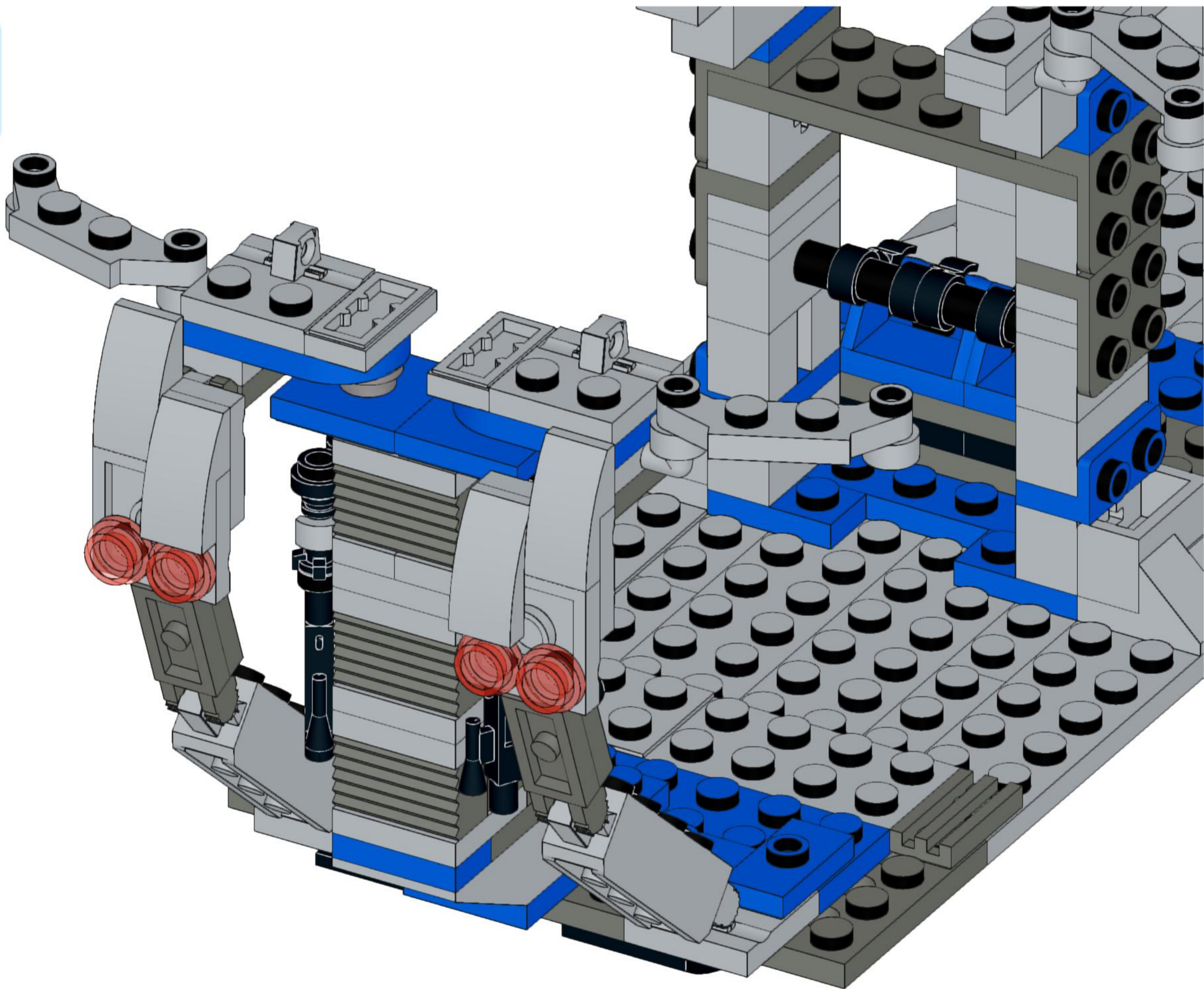
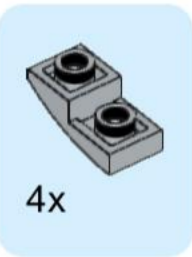


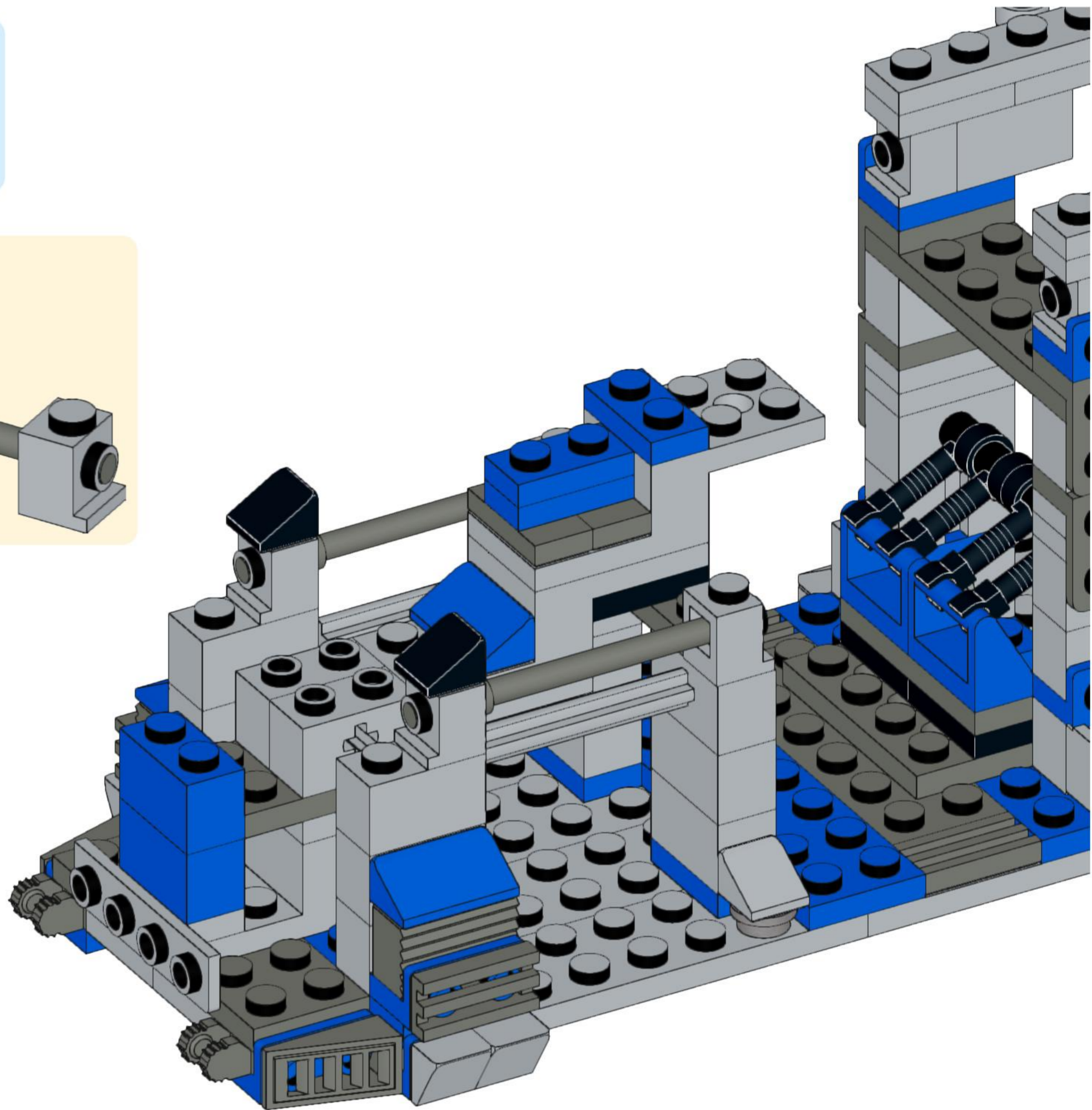
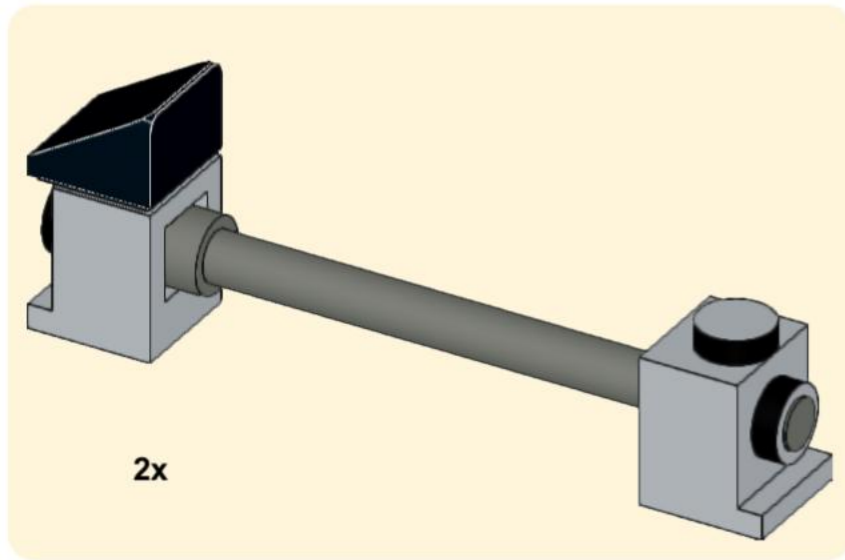
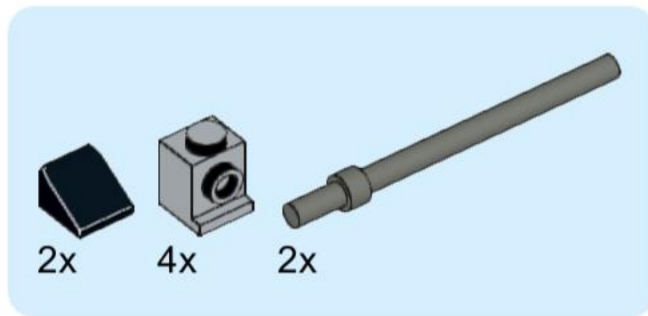
36

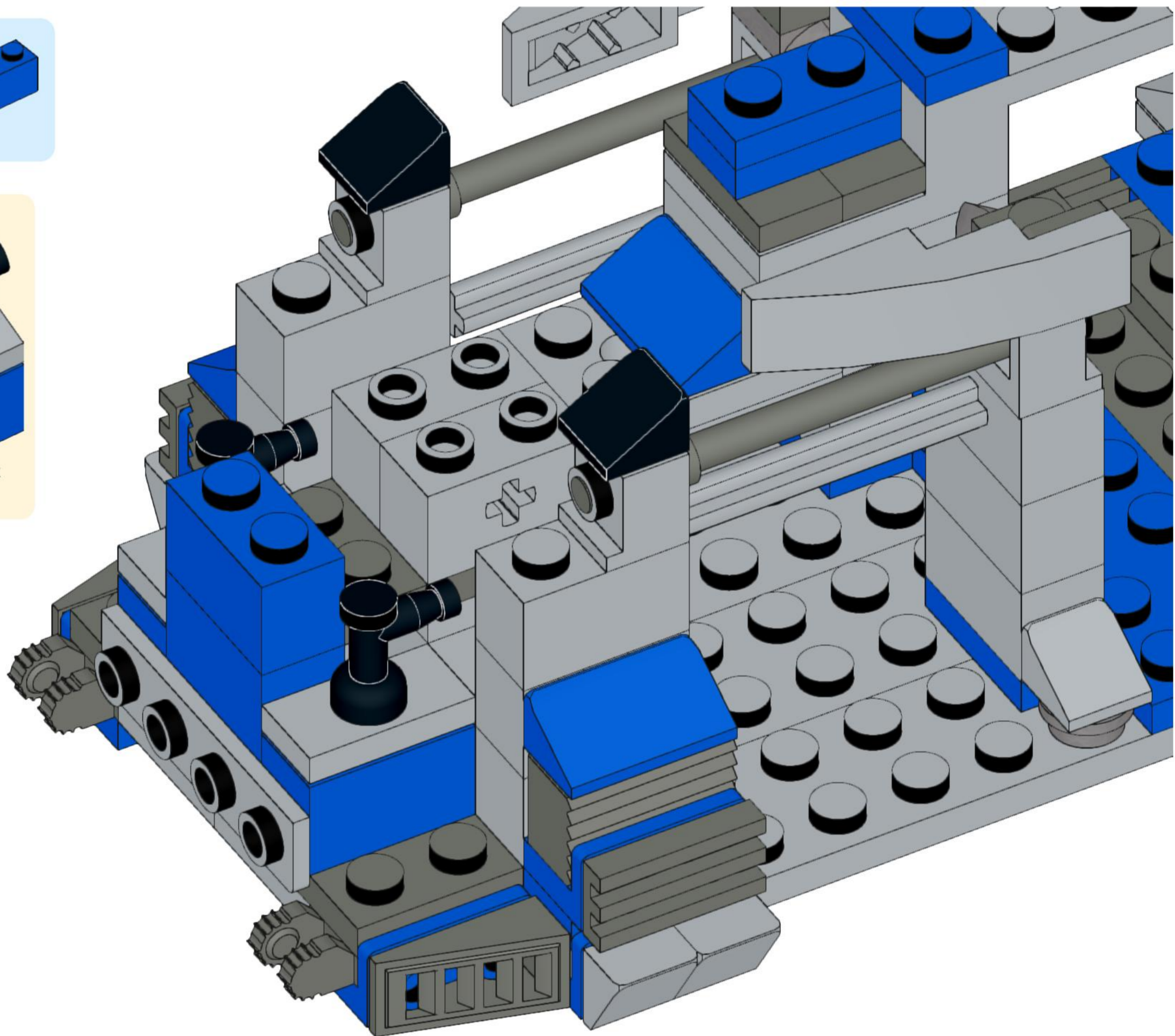
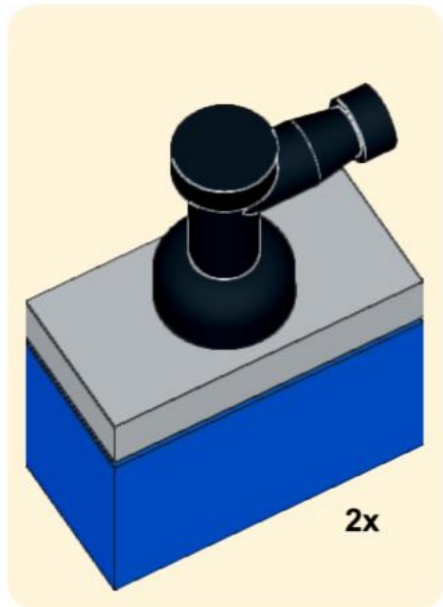
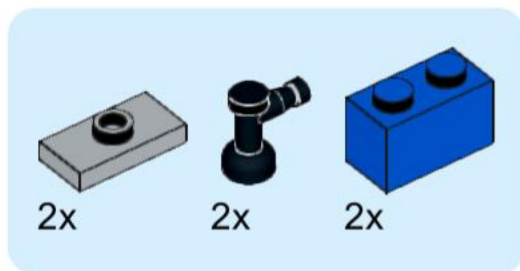


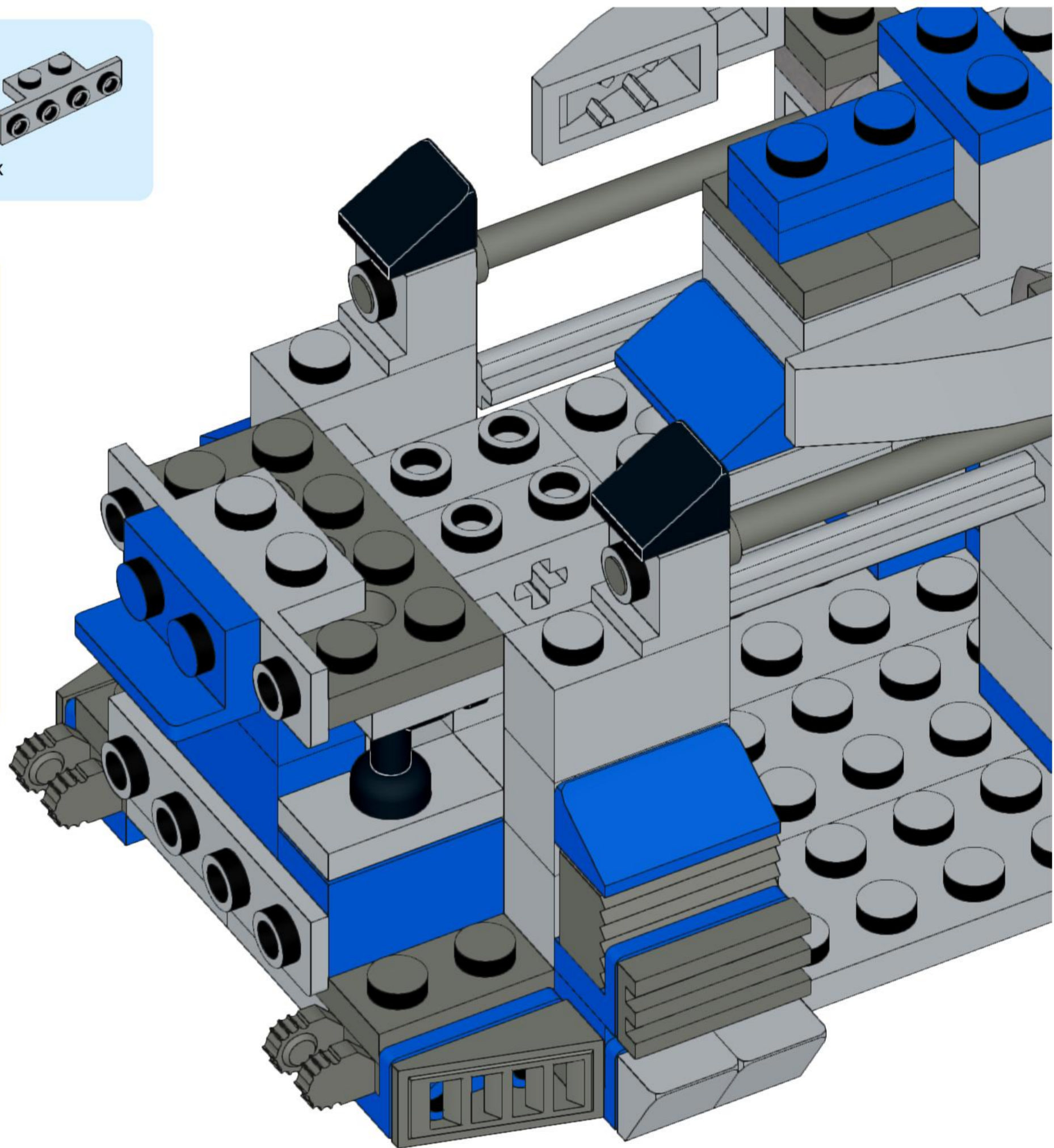
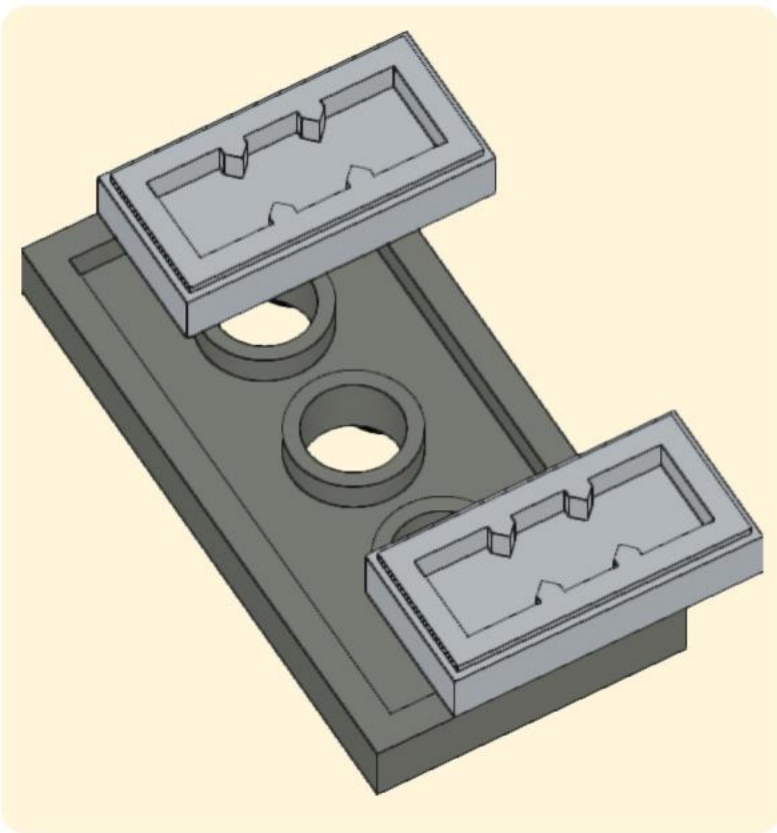
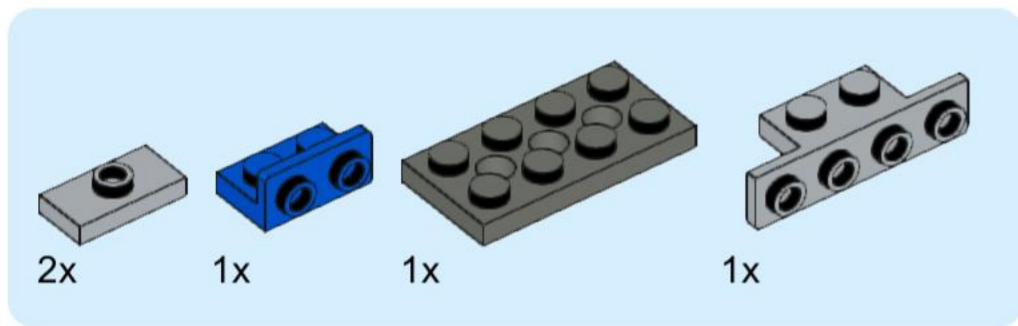
37

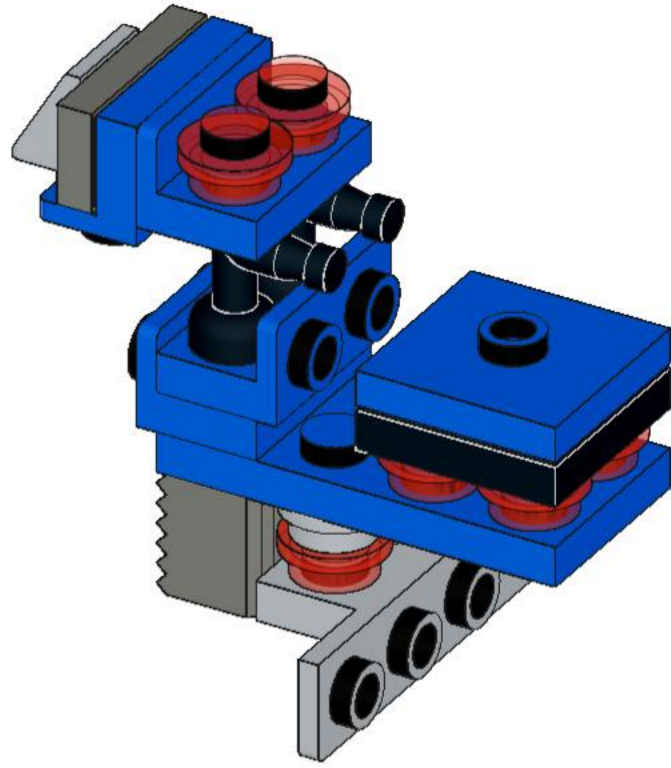
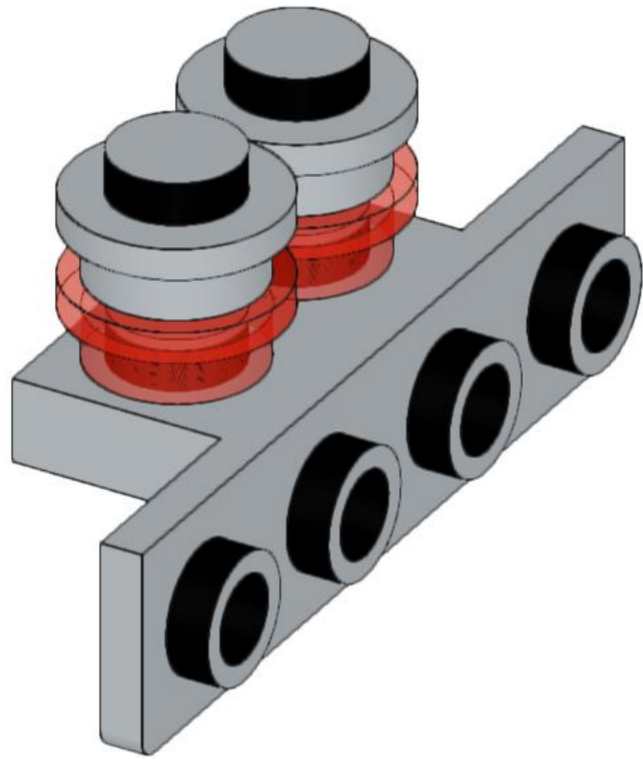
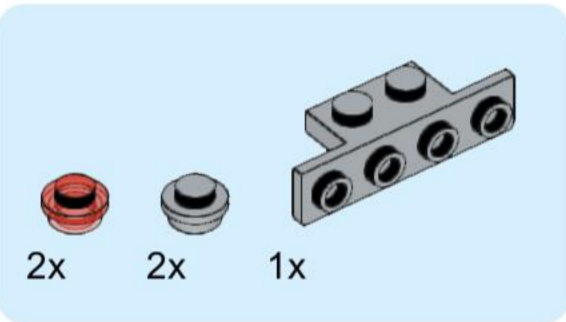




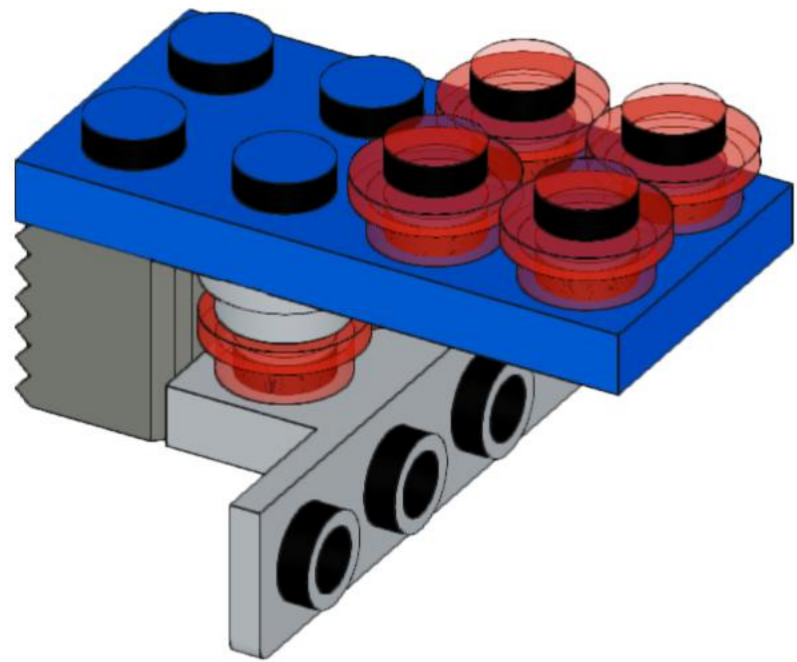
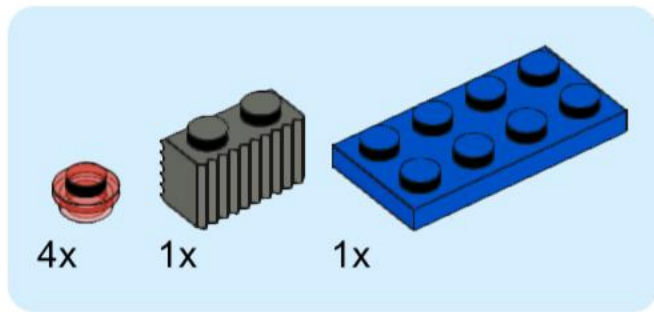




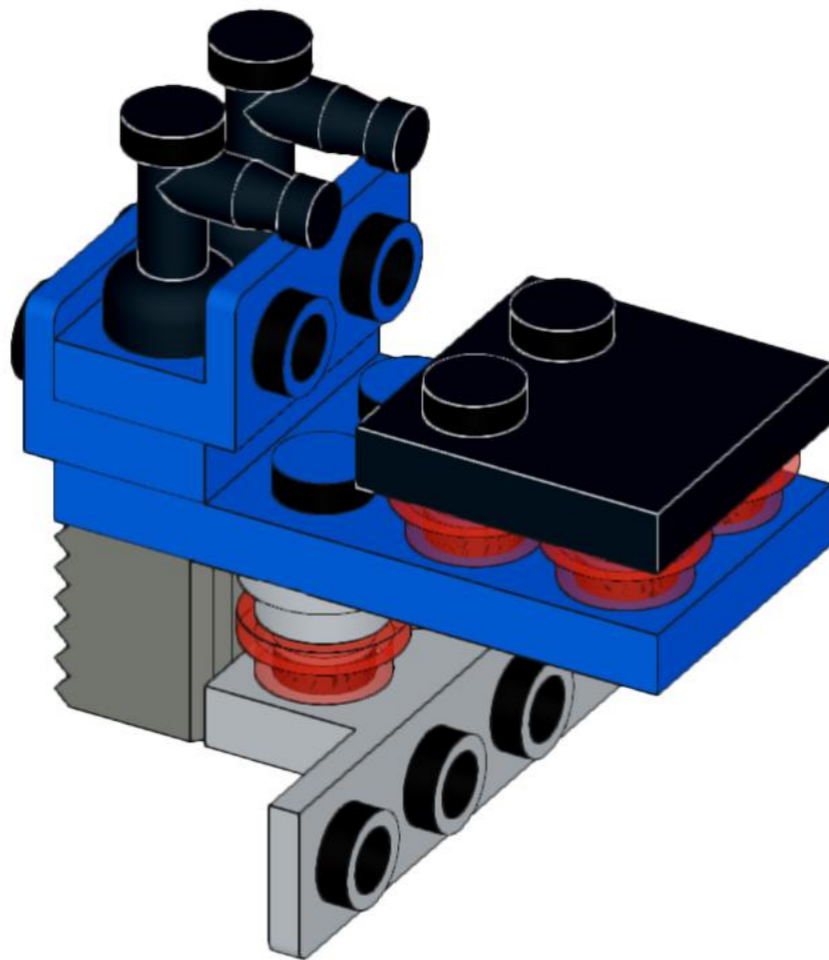
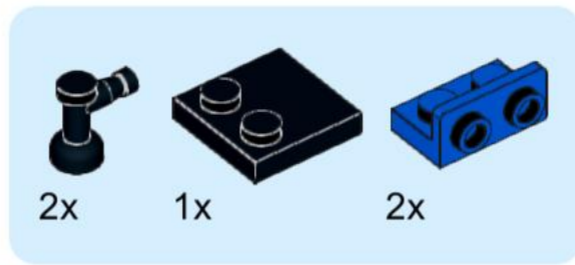




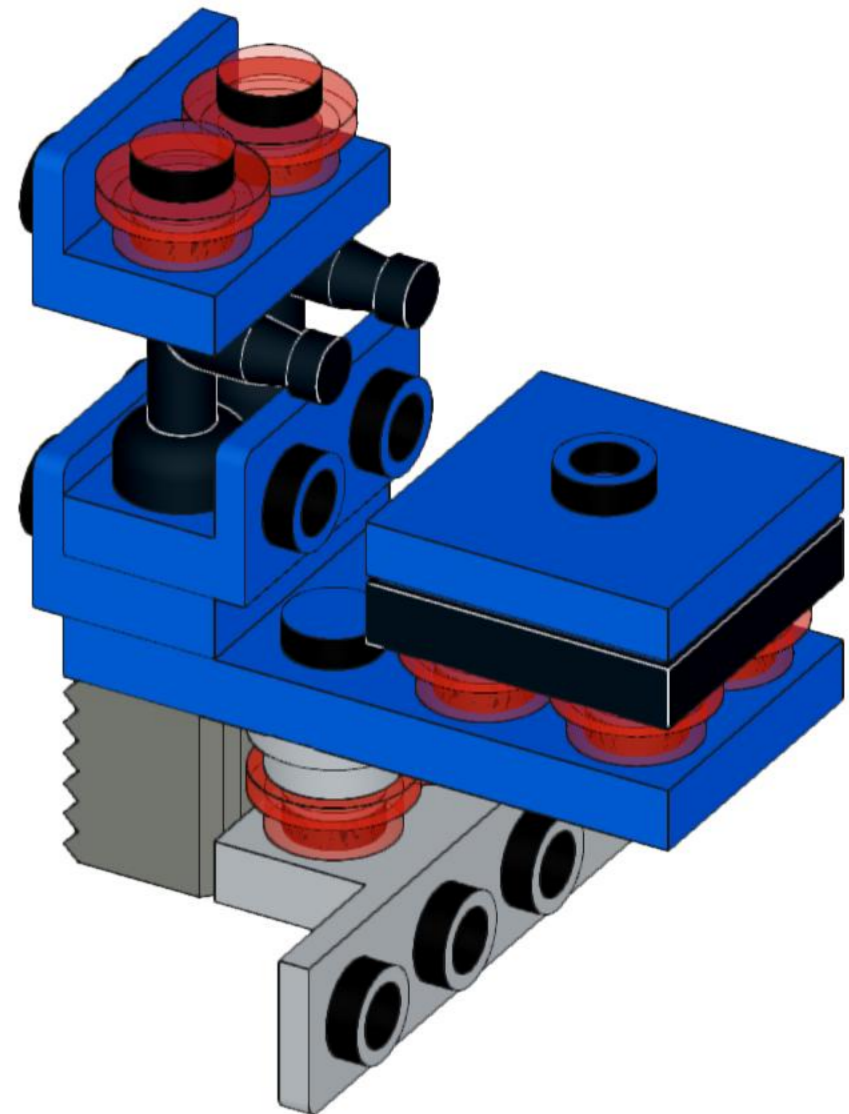
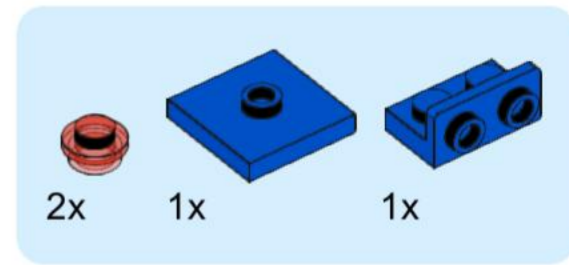
46



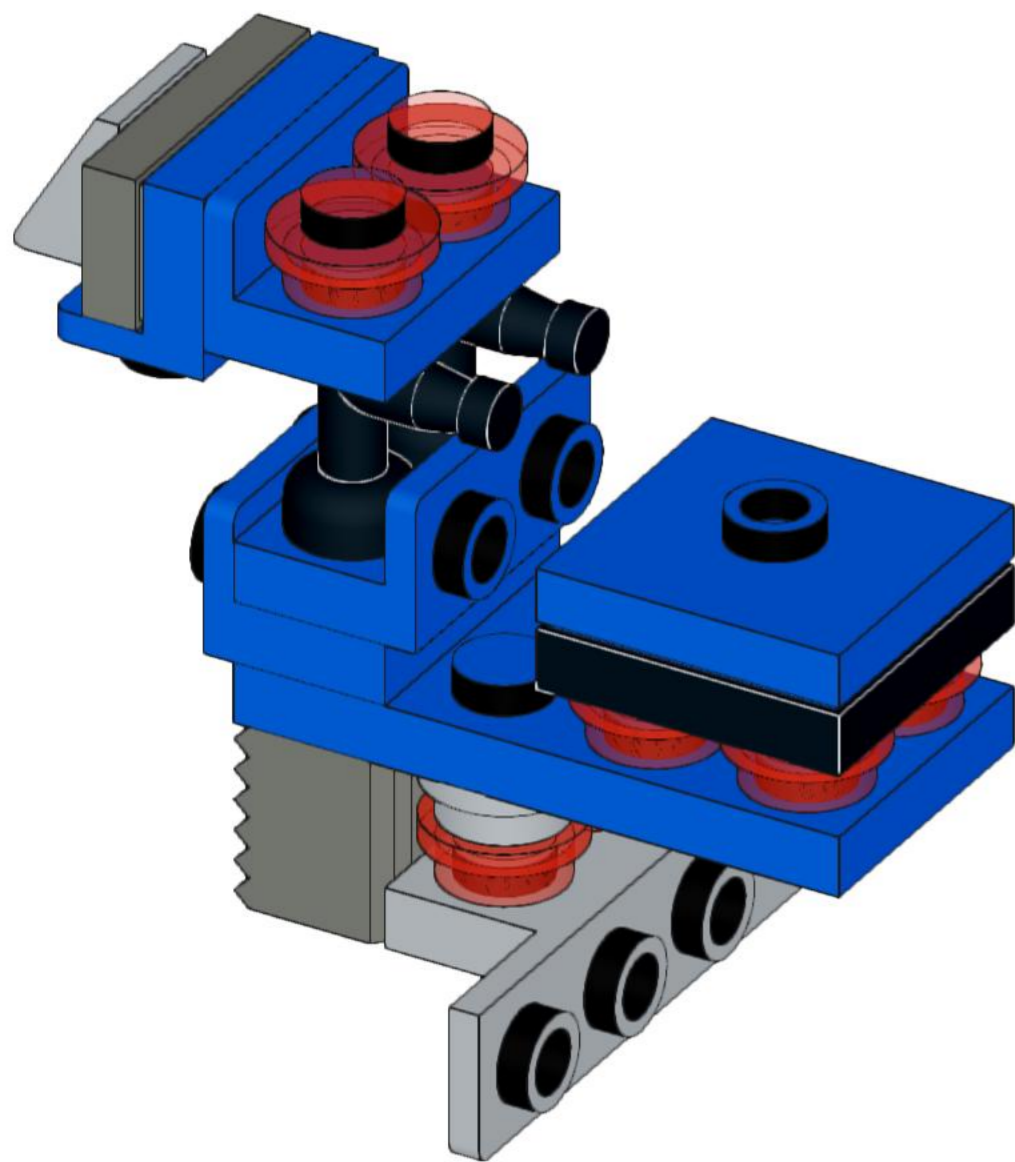
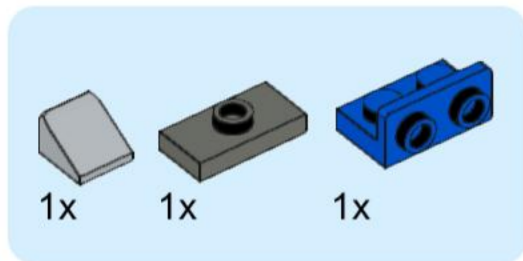
47



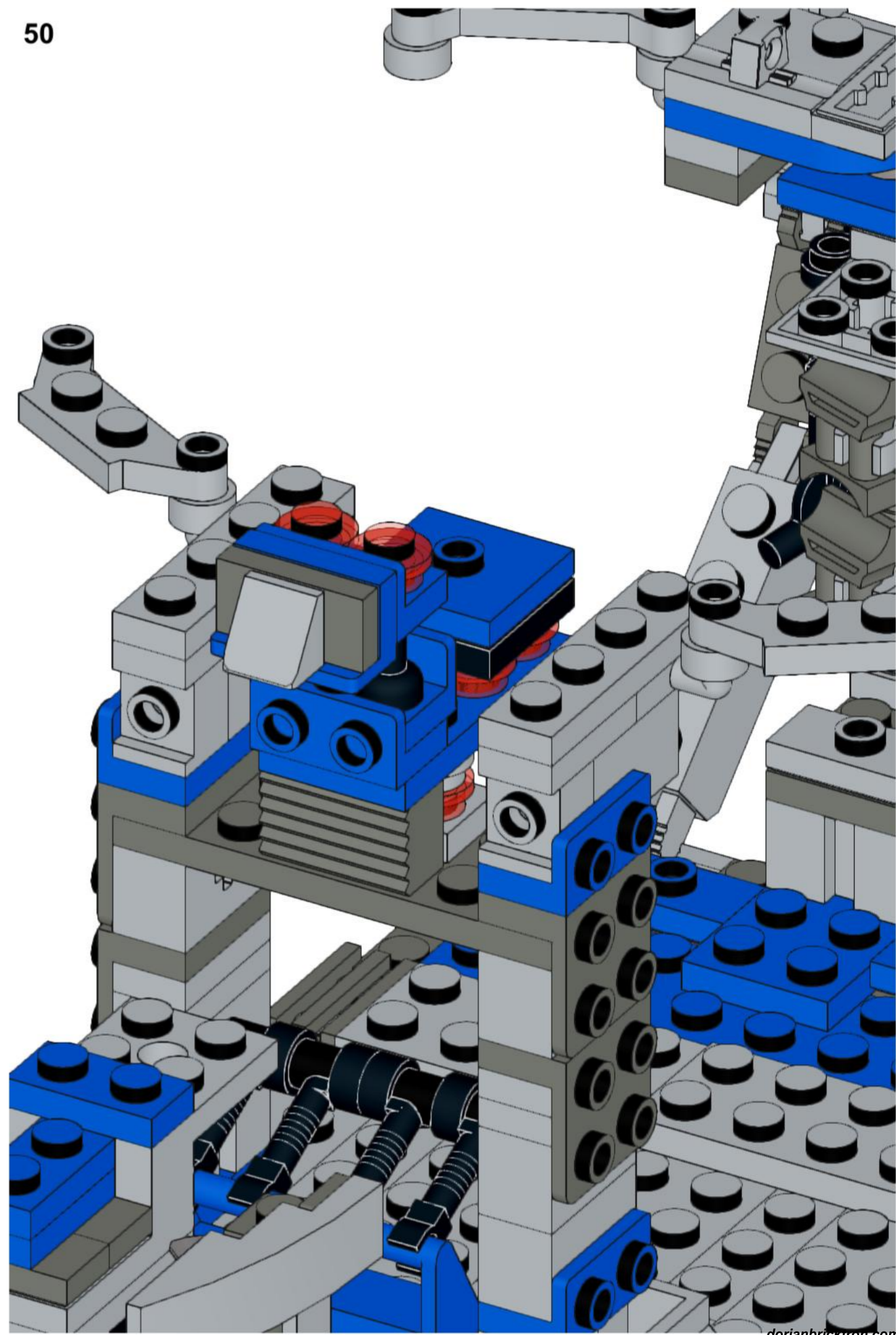
48

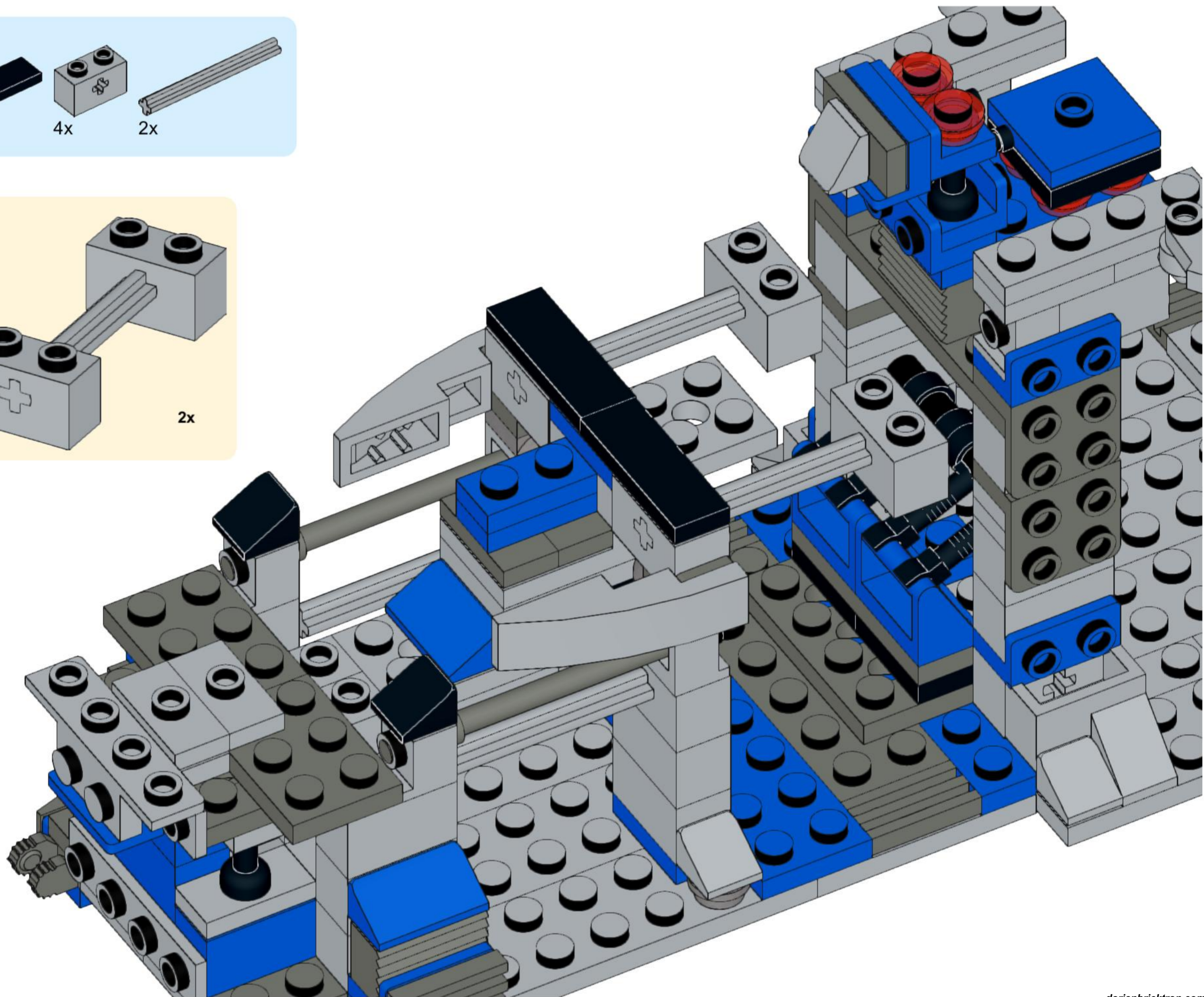
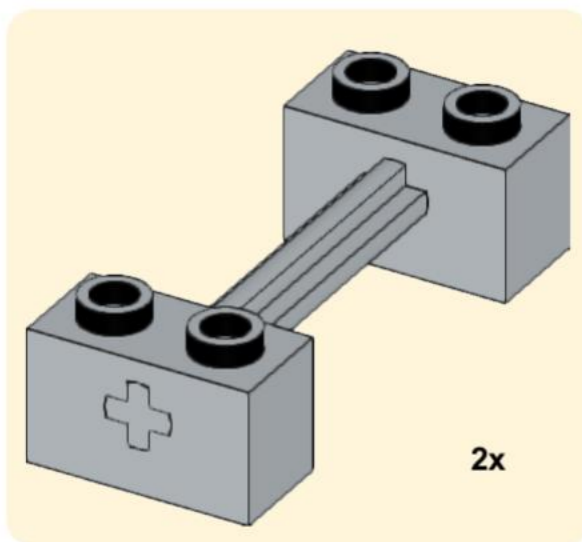
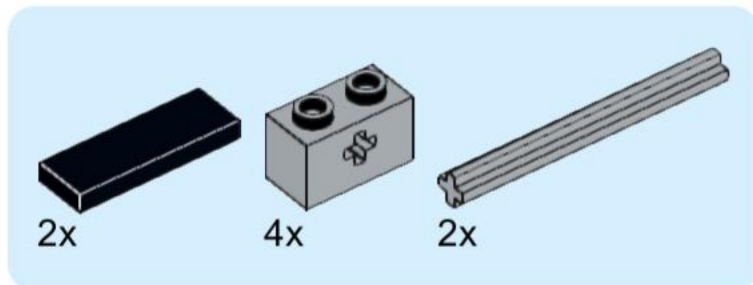


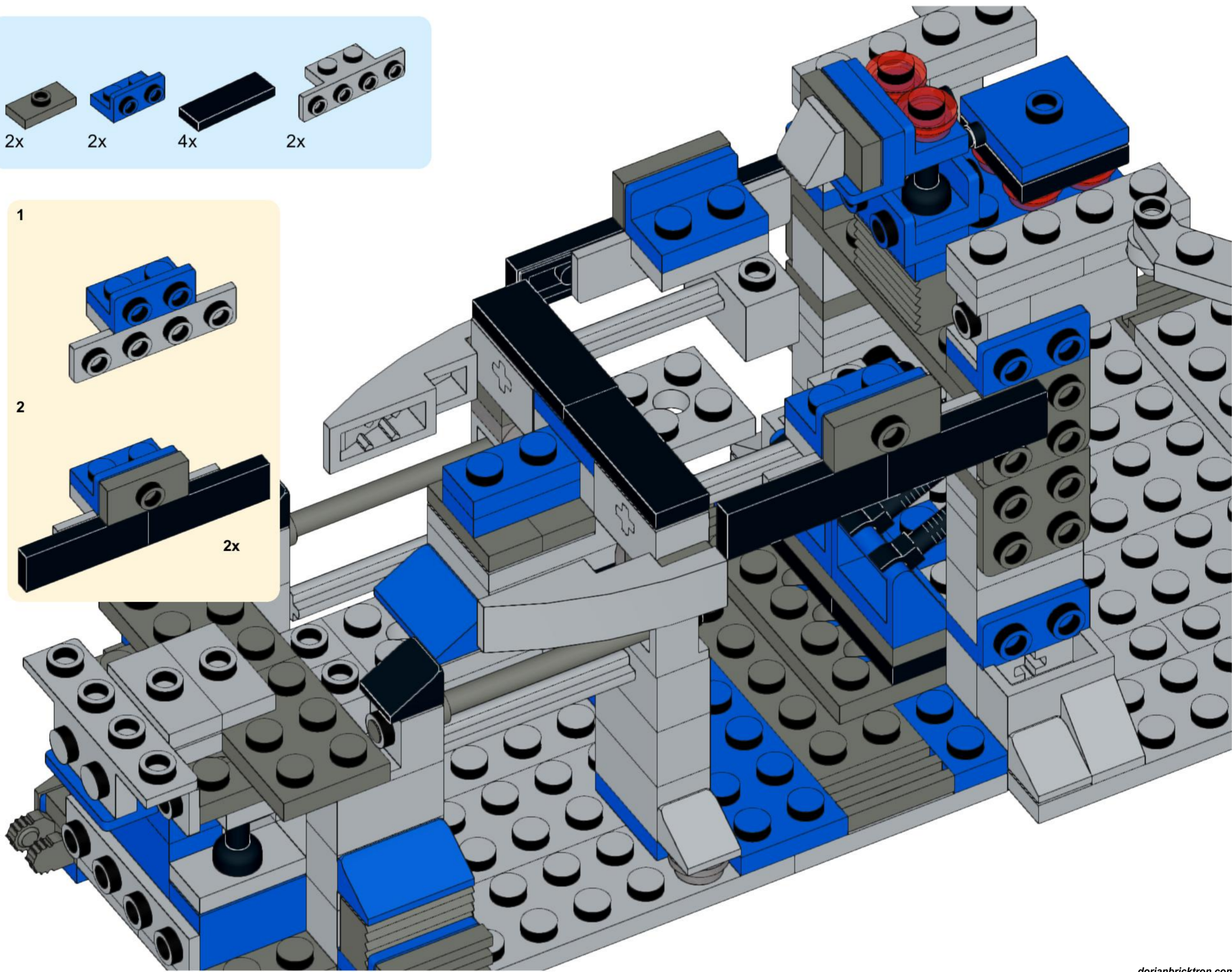
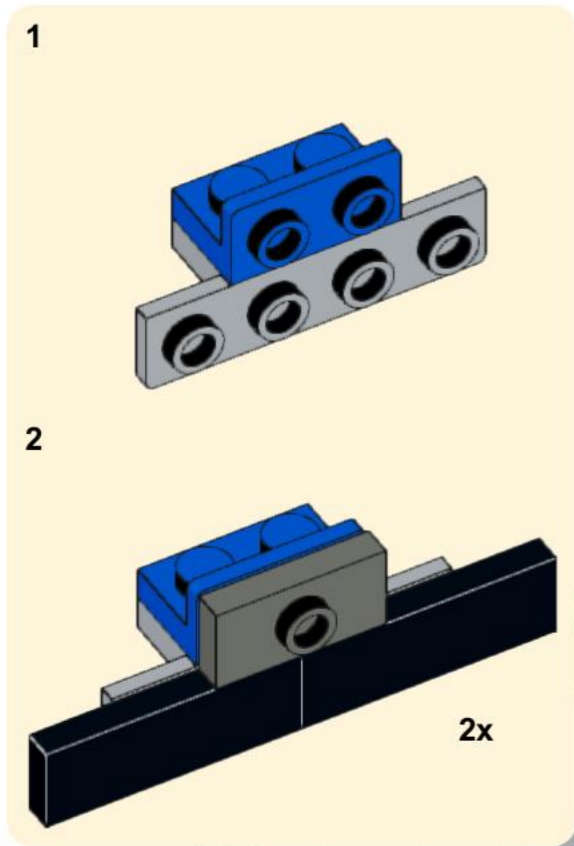
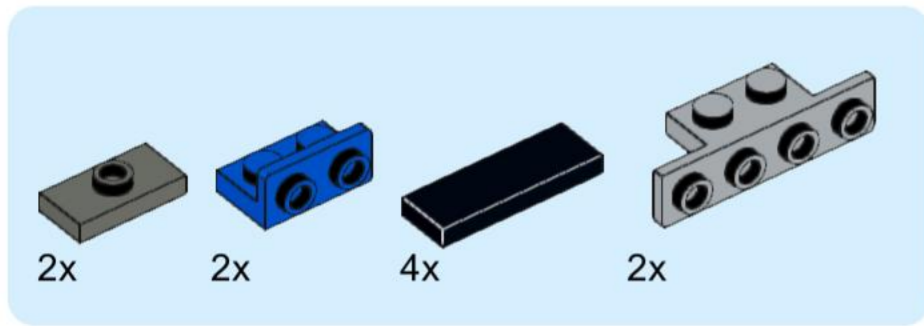
49

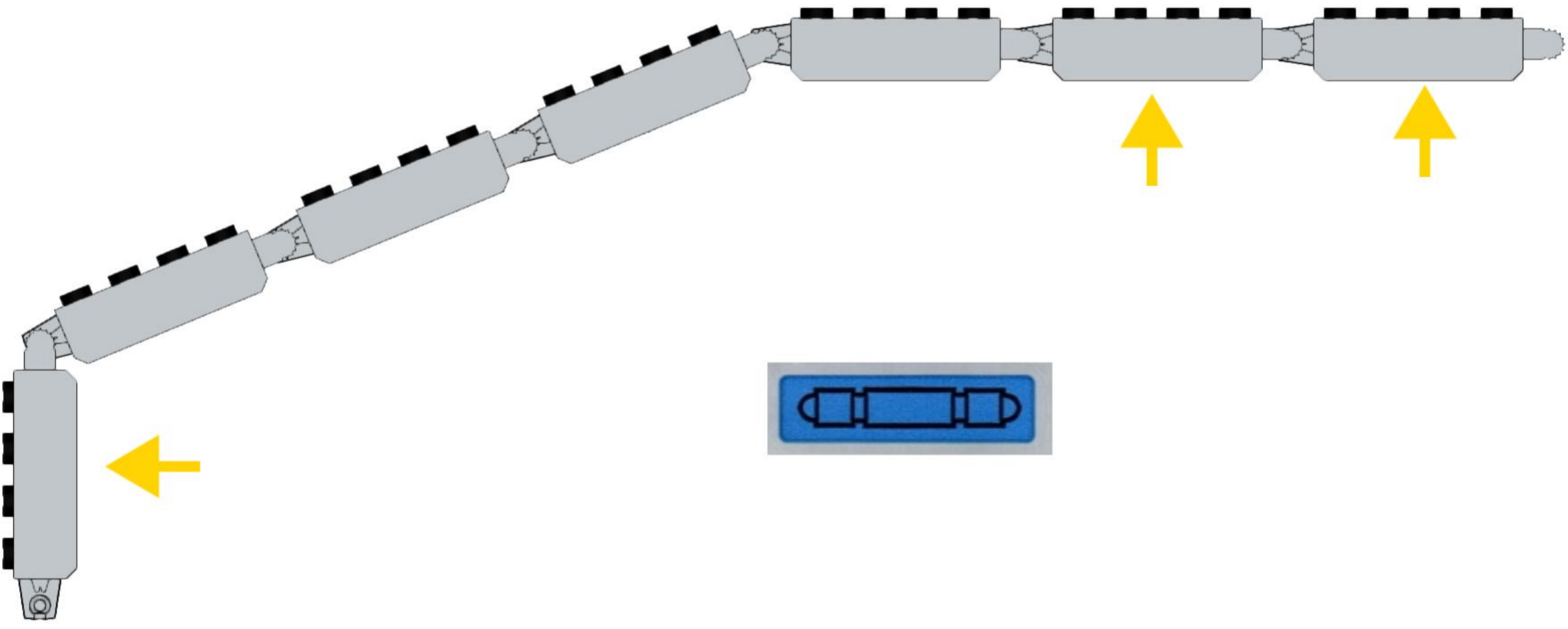
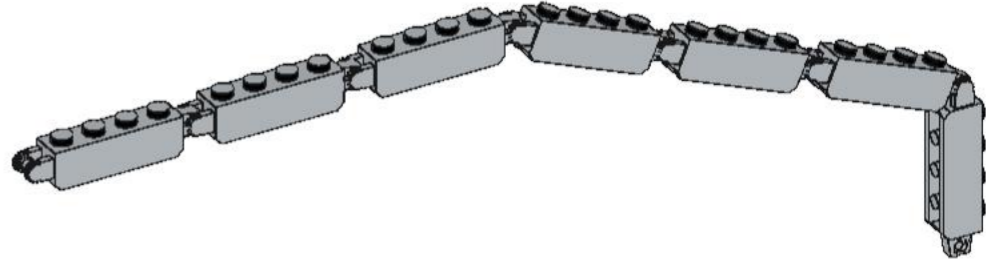
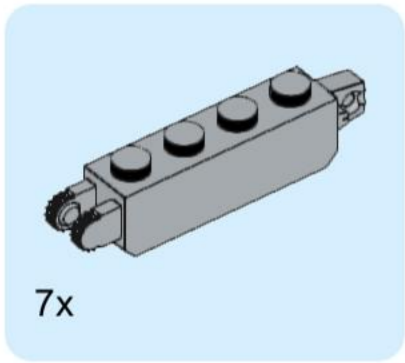


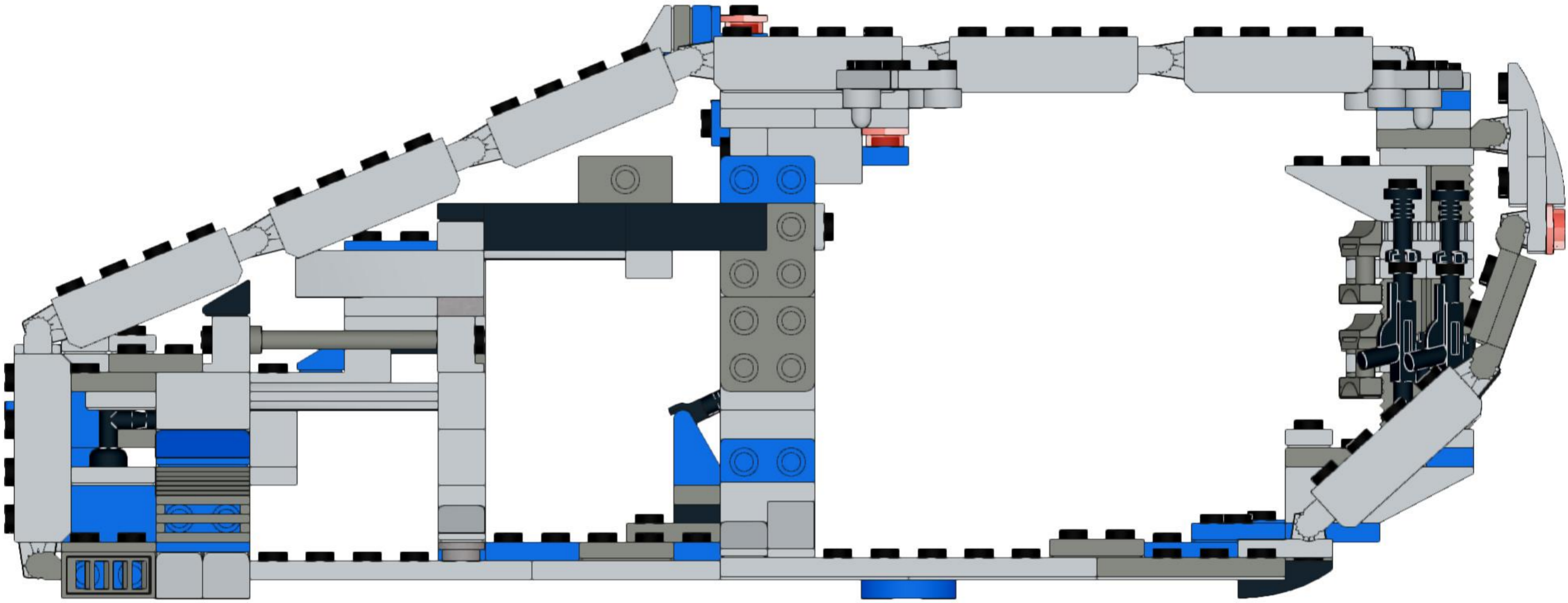
50



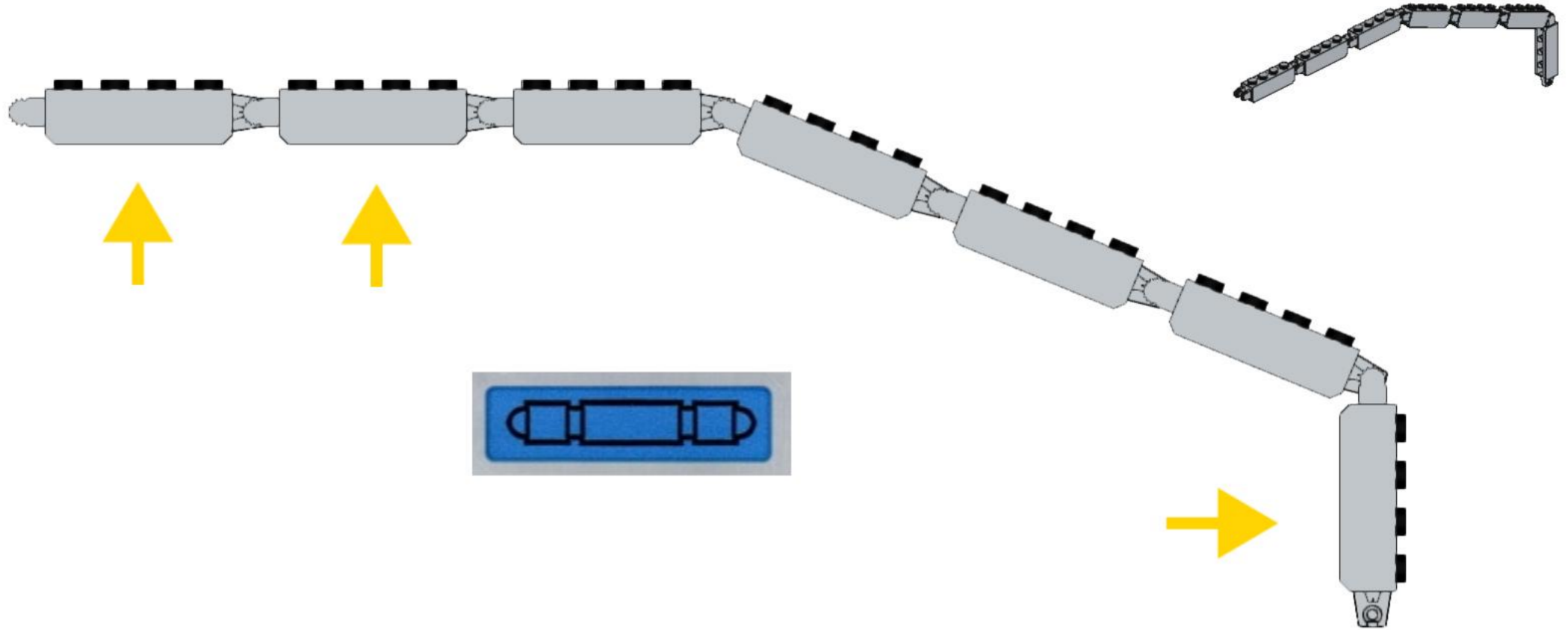
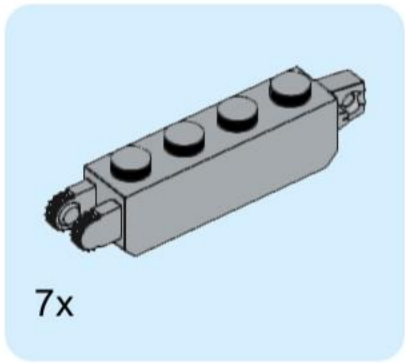




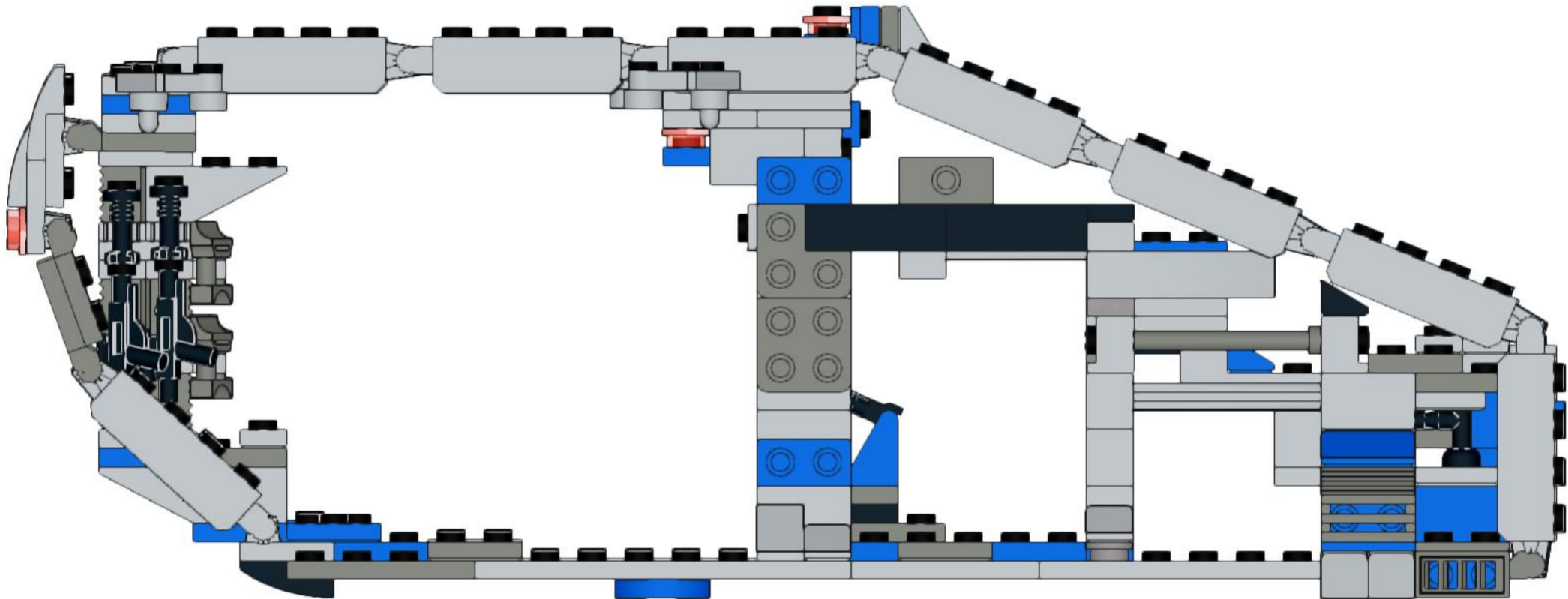




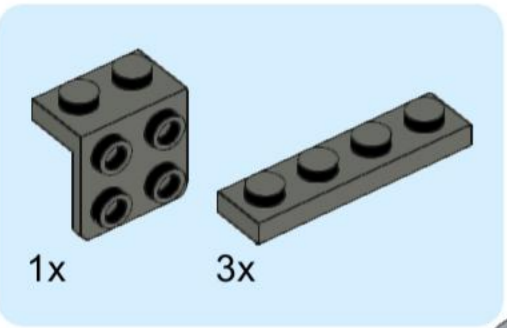
55



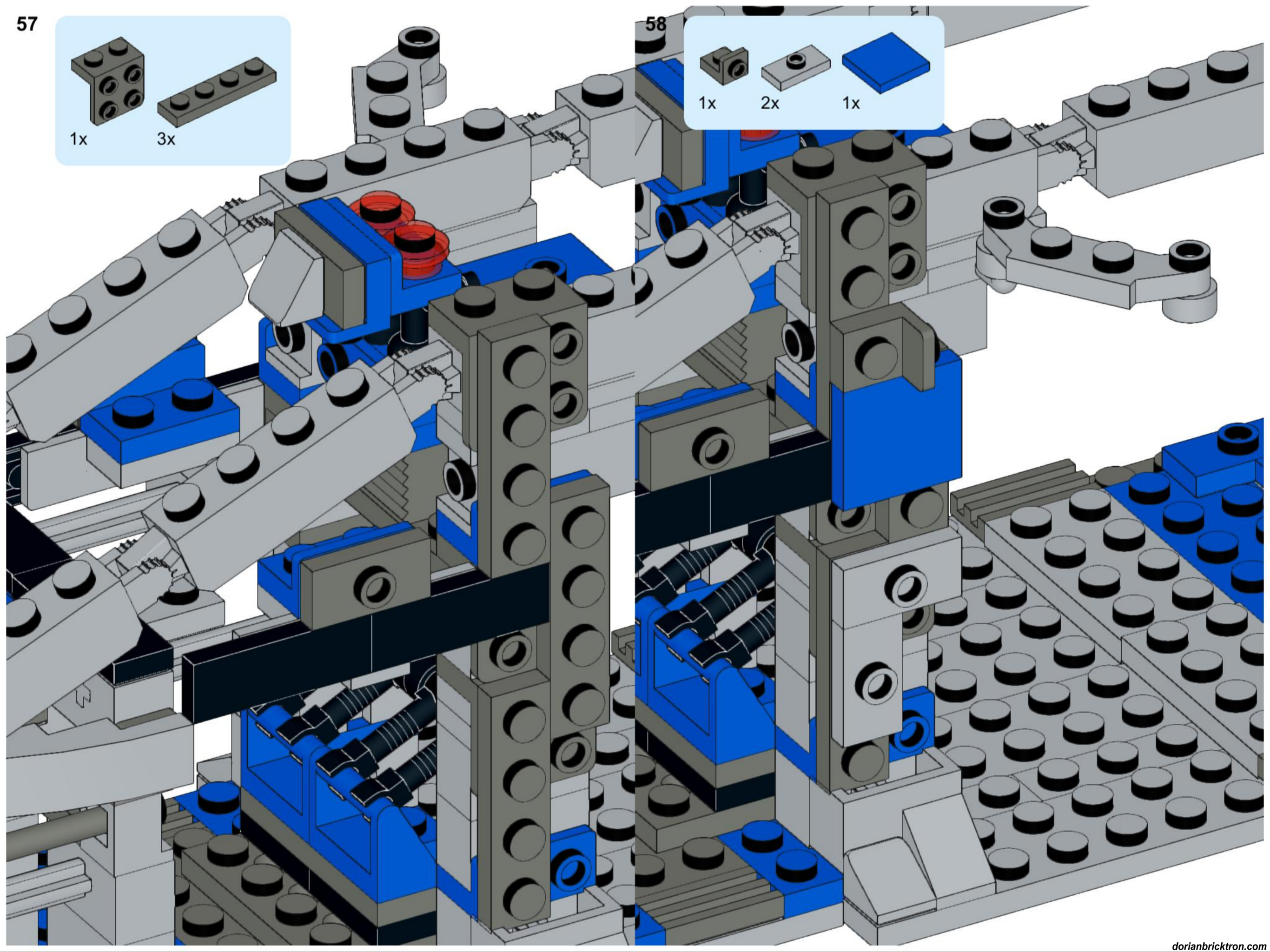
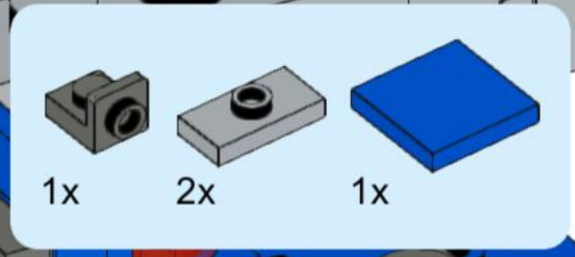
56



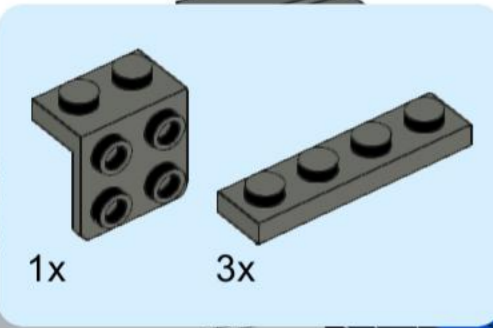
57



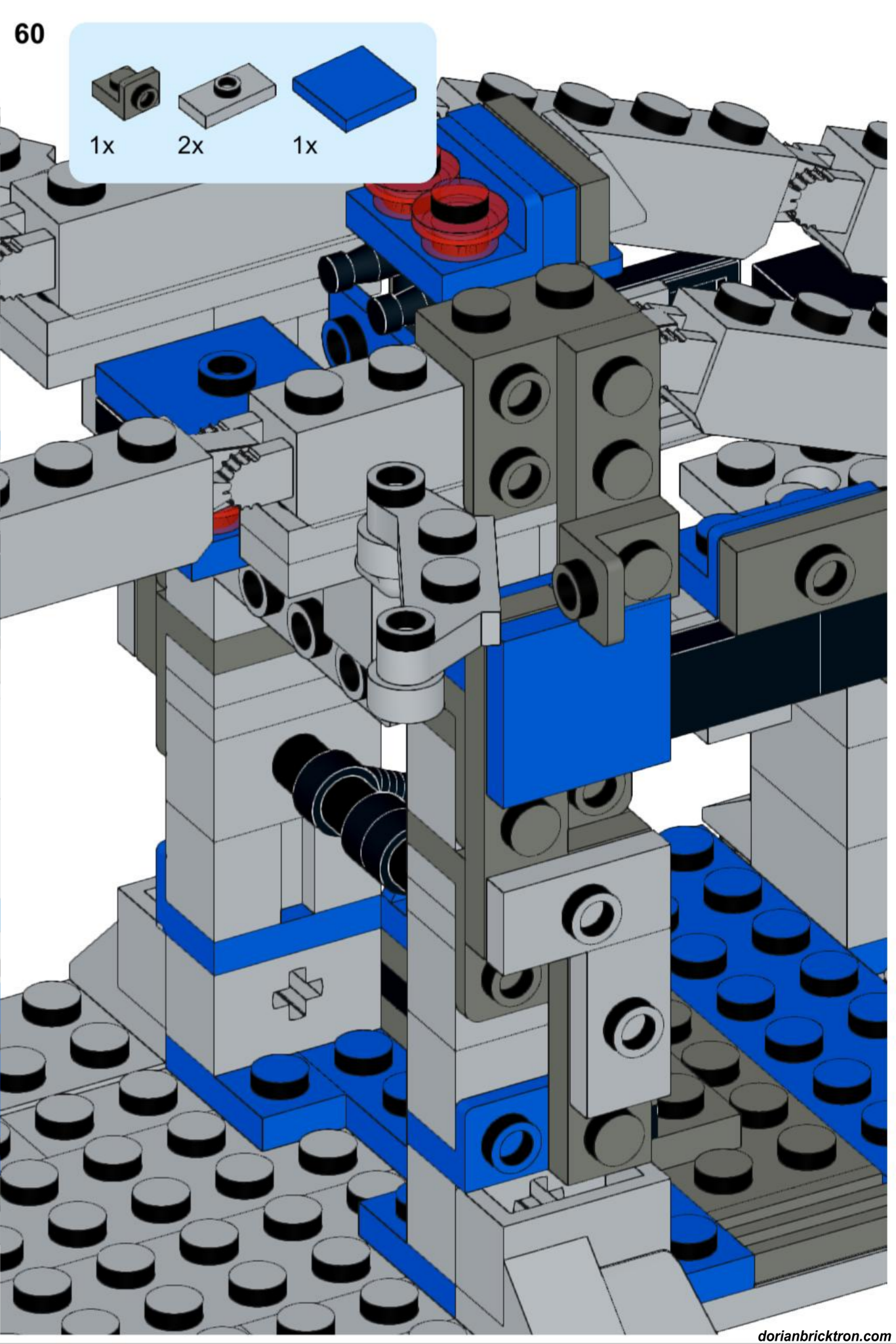
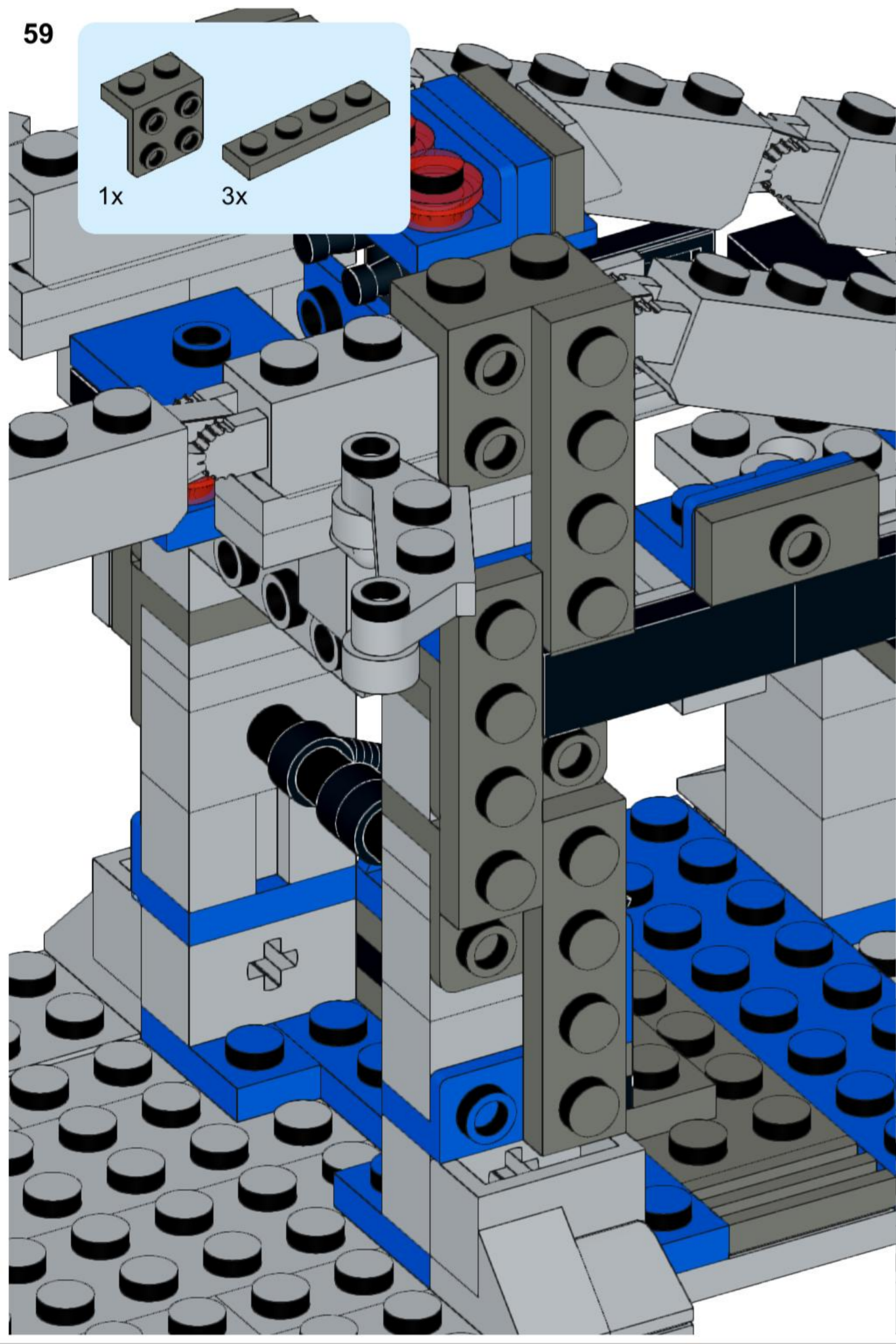
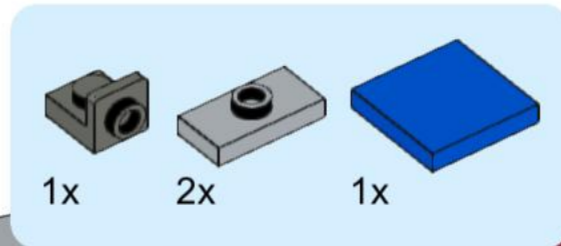
58

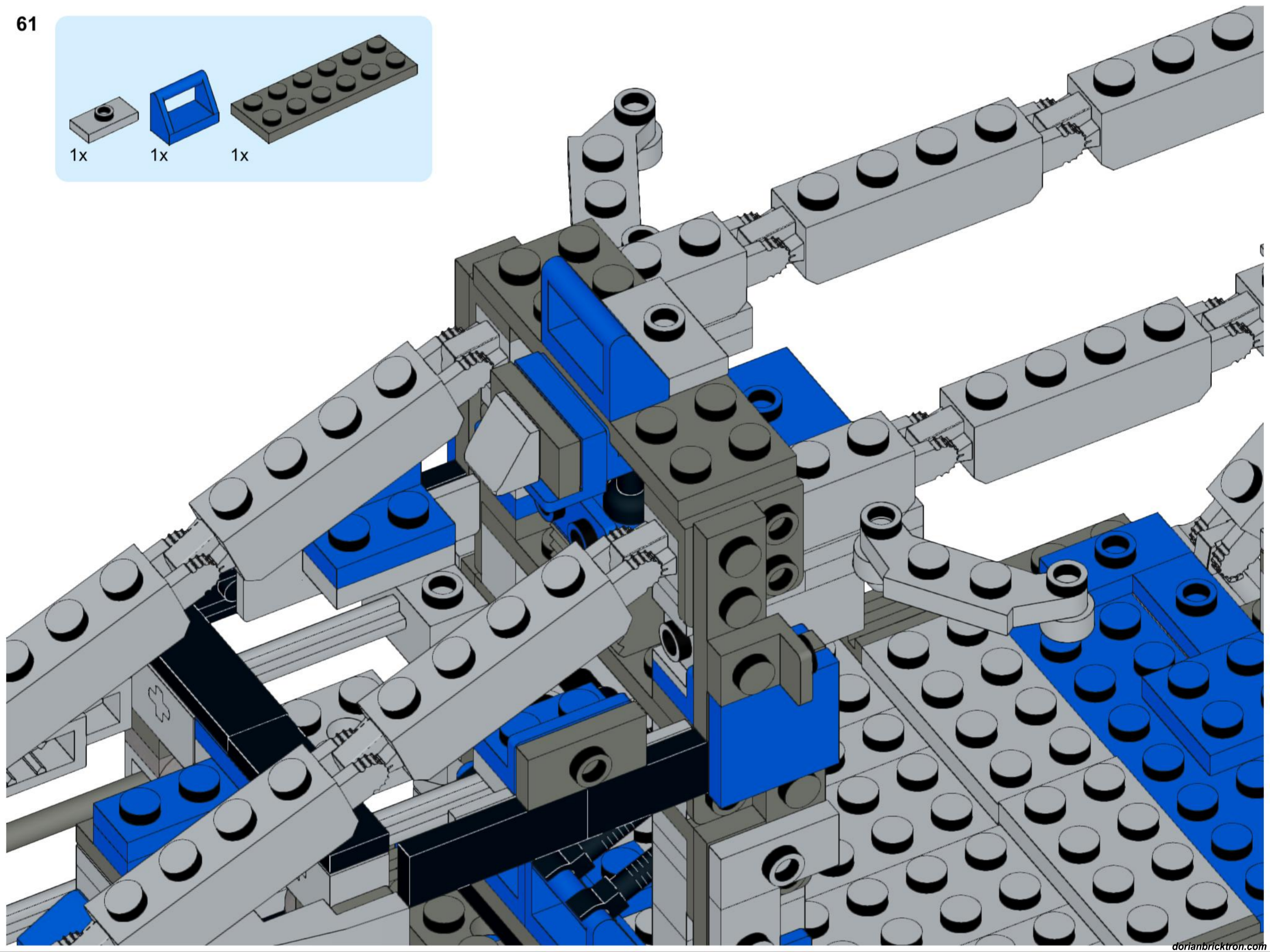
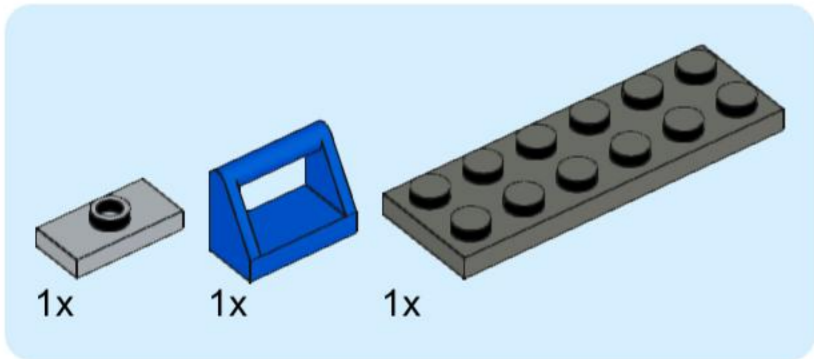


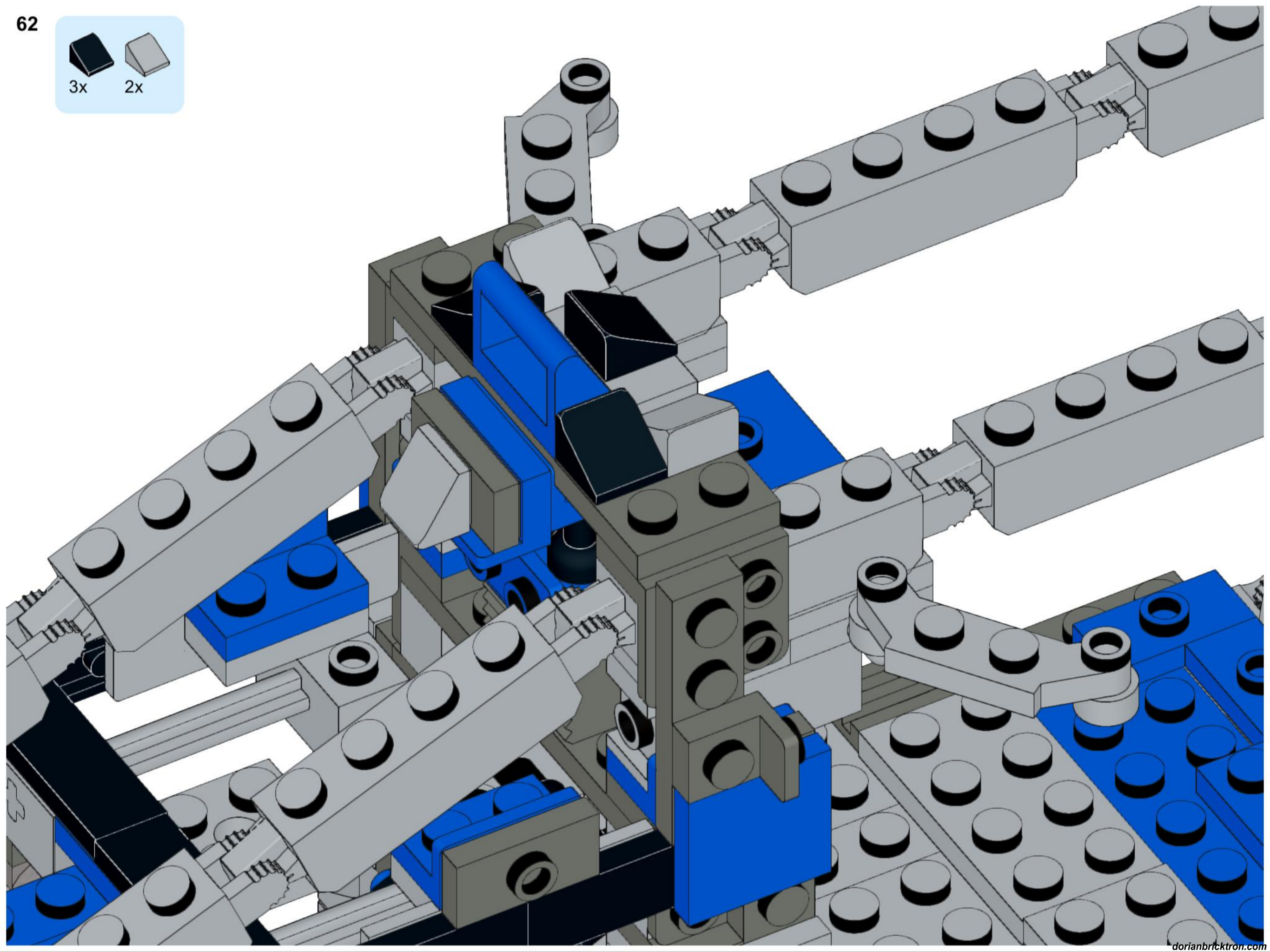
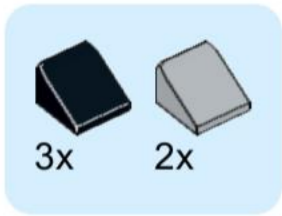
59



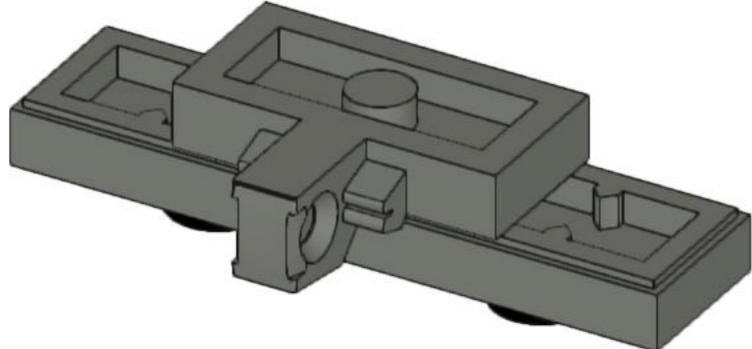
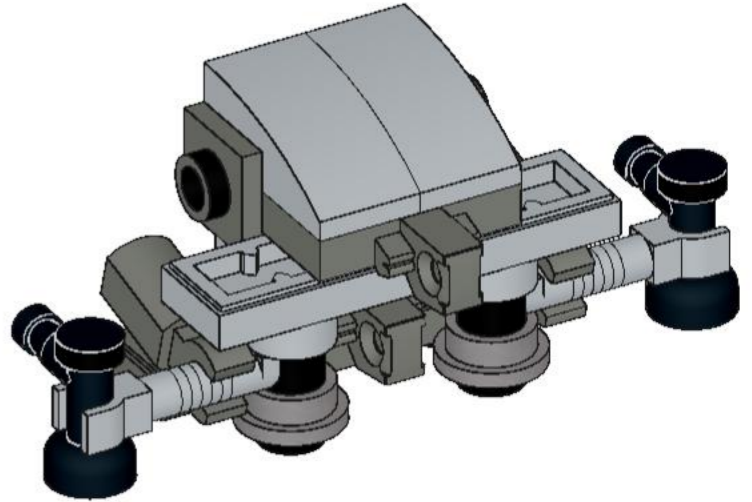
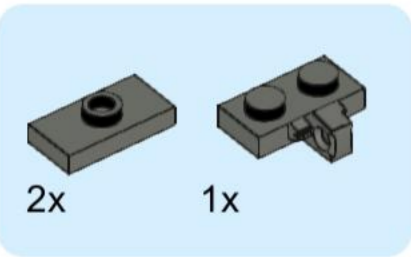
60



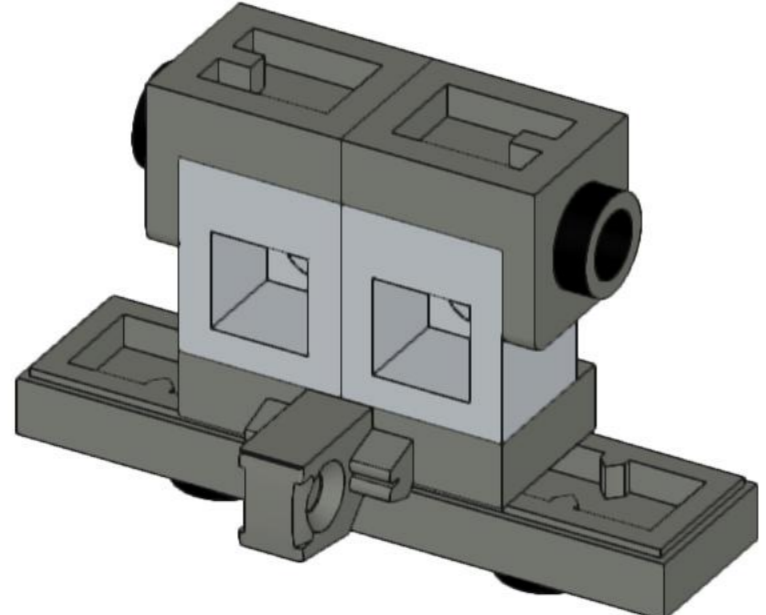
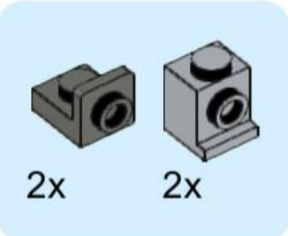




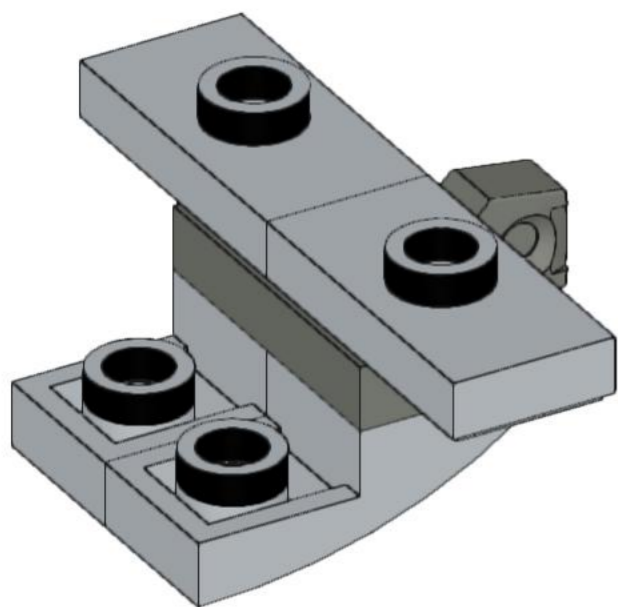
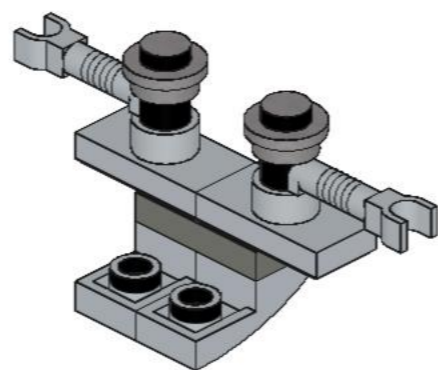
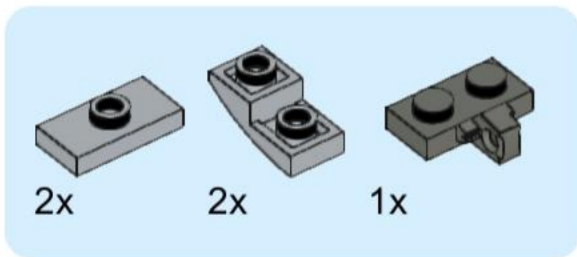
63



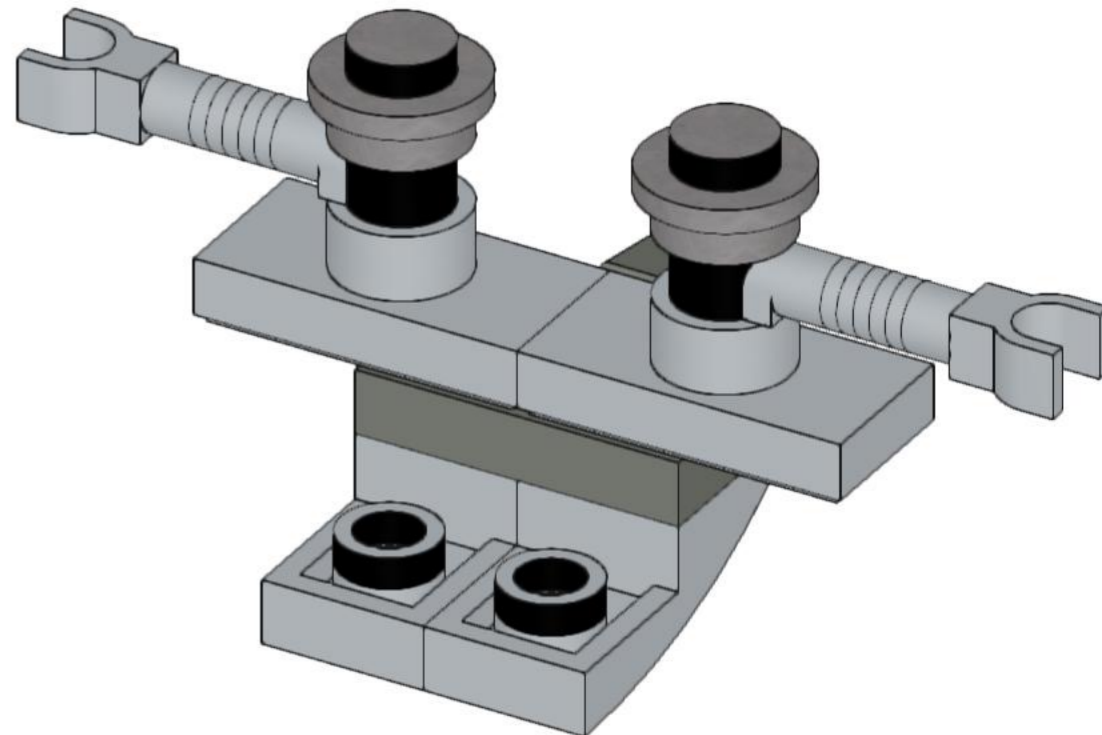
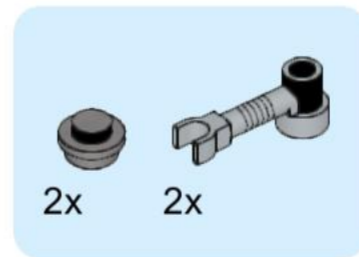
64

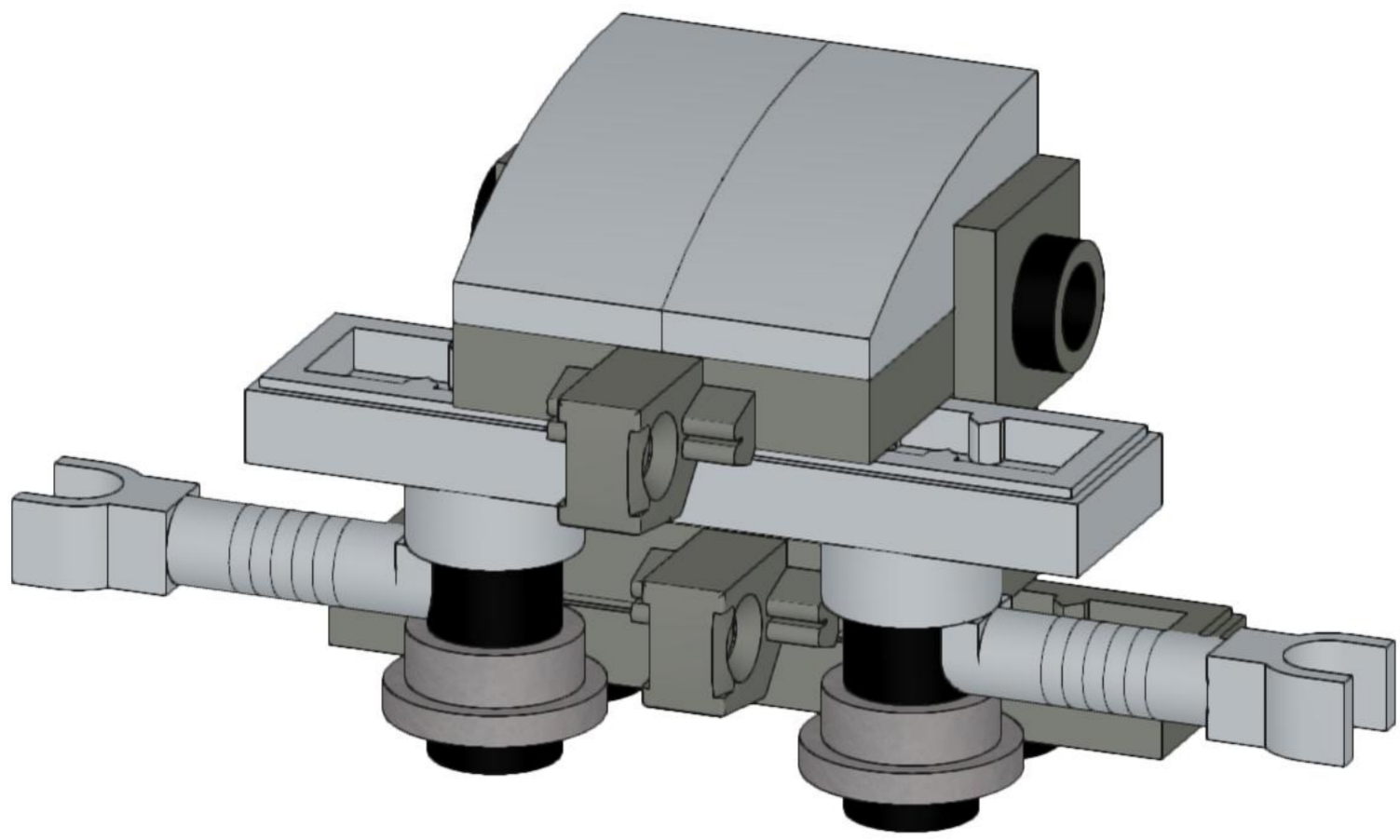


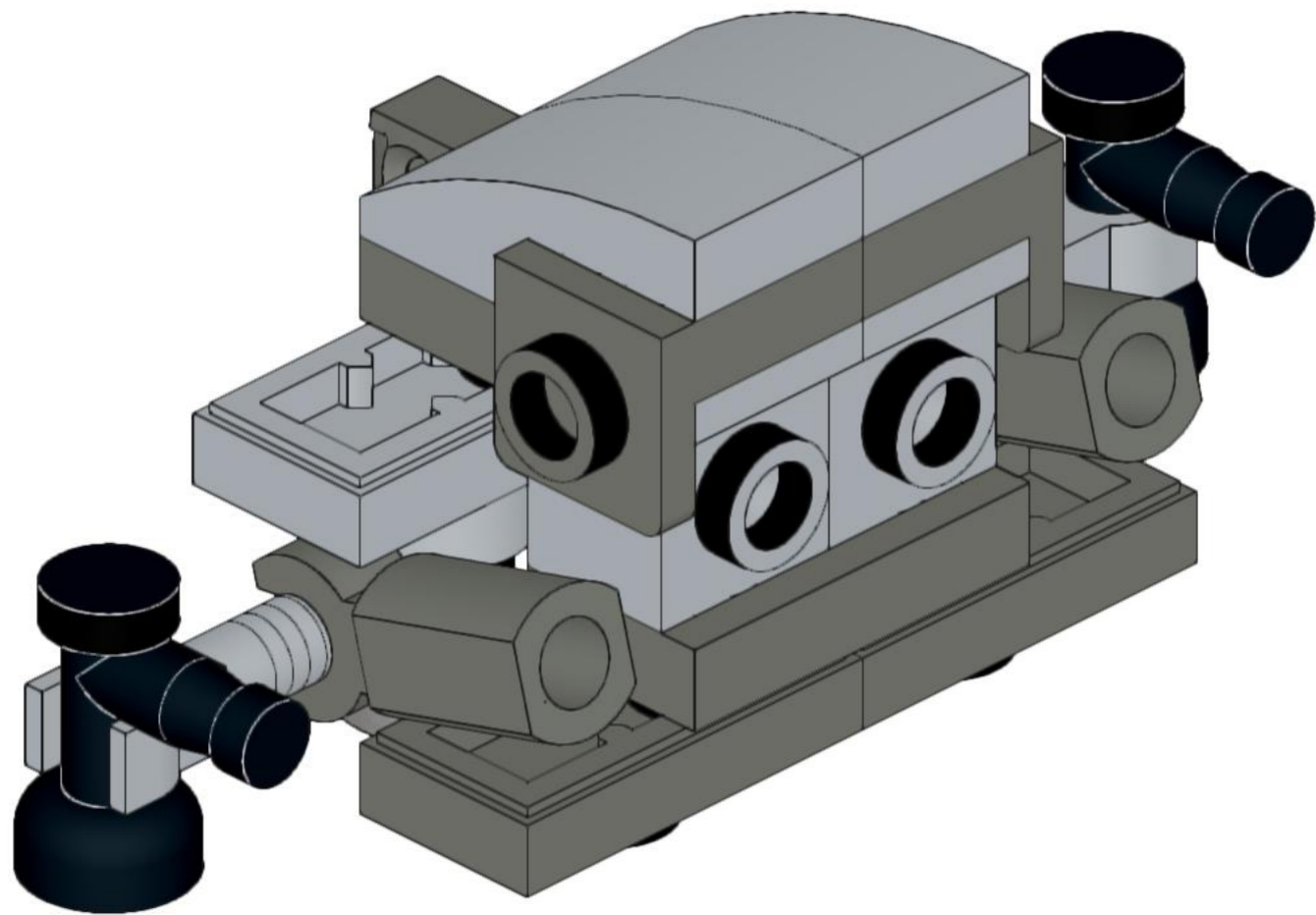
65

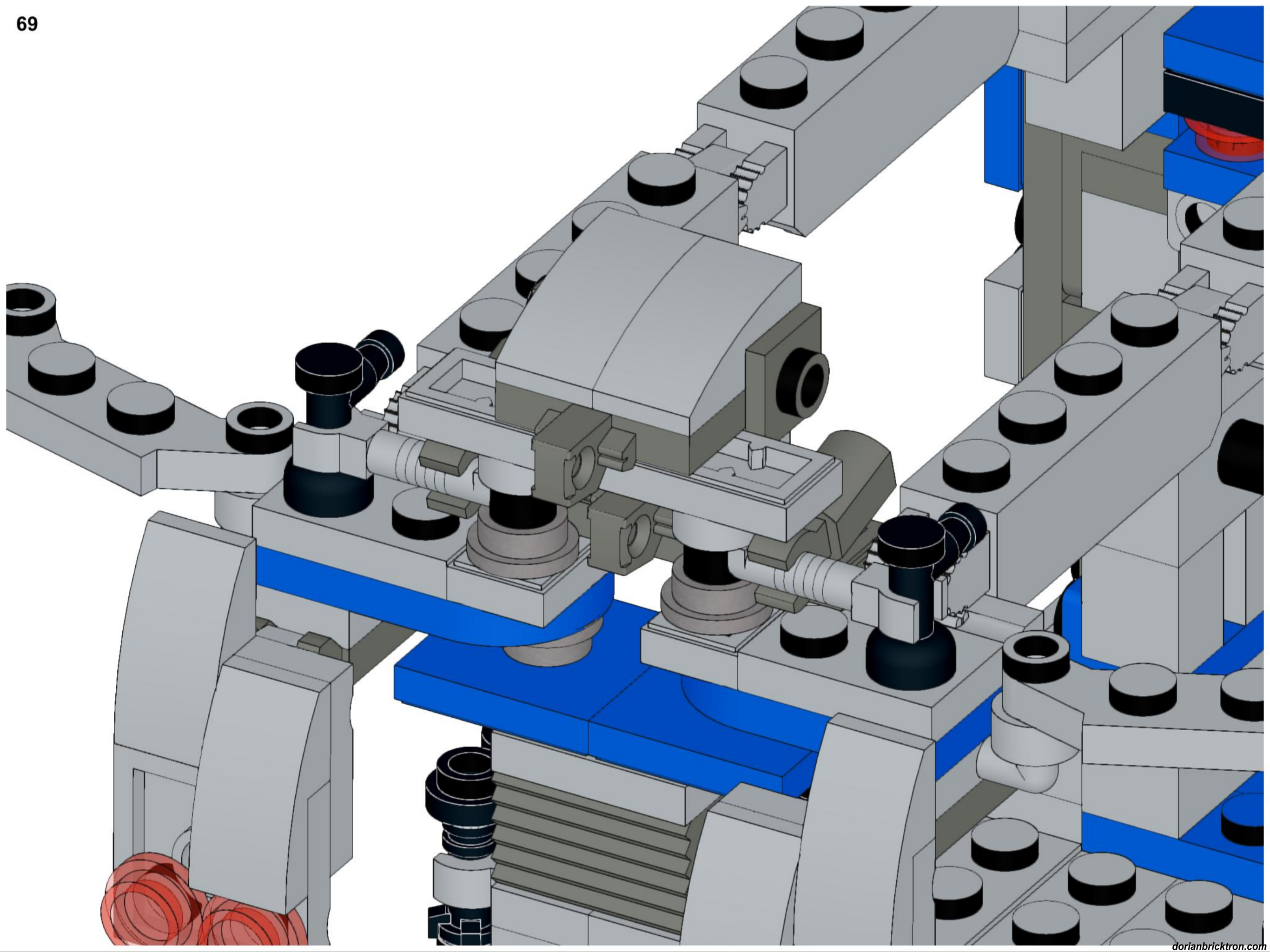


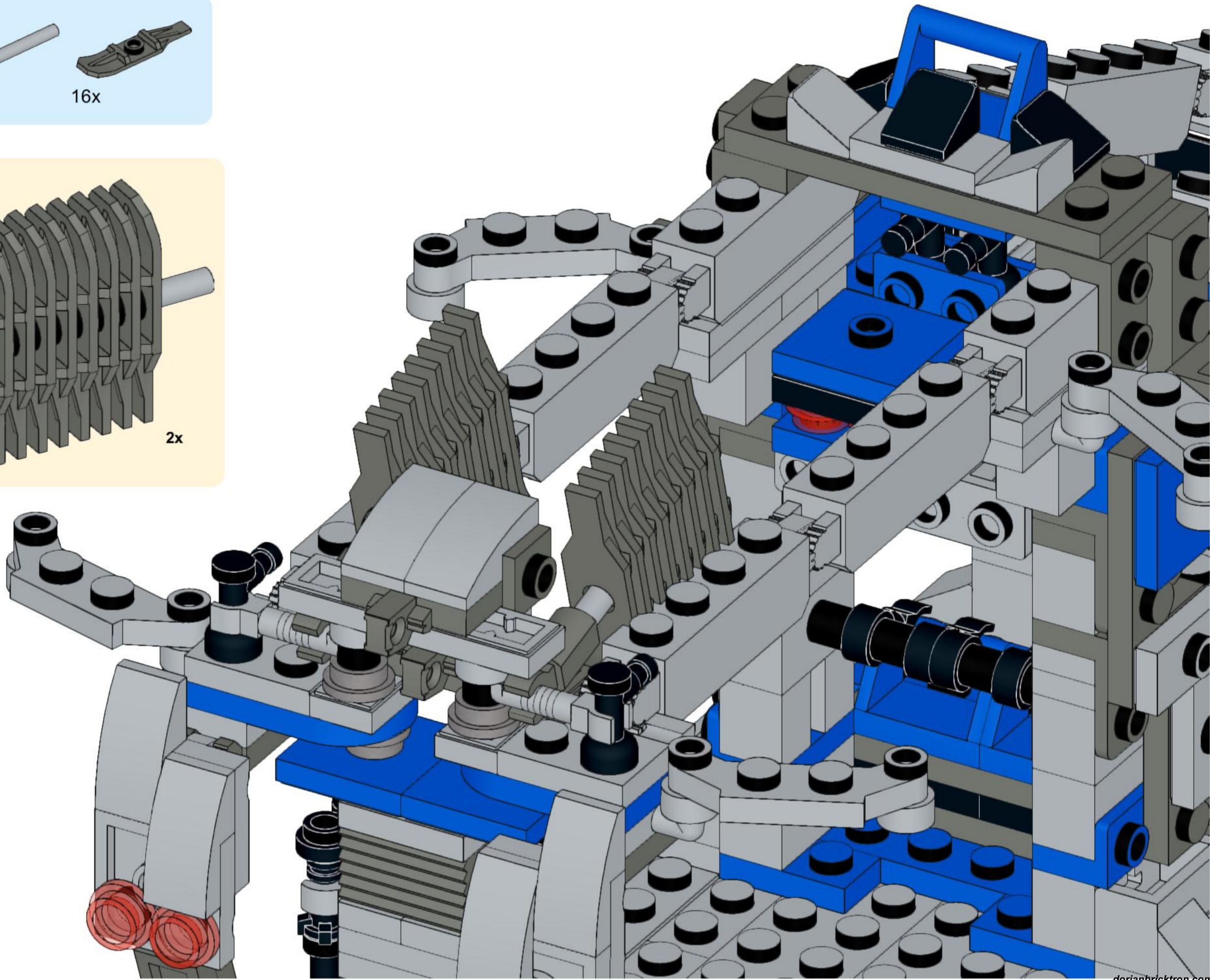
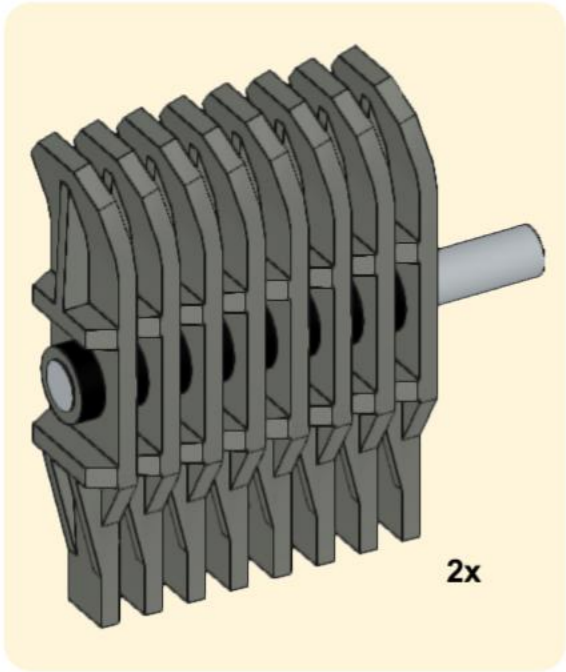
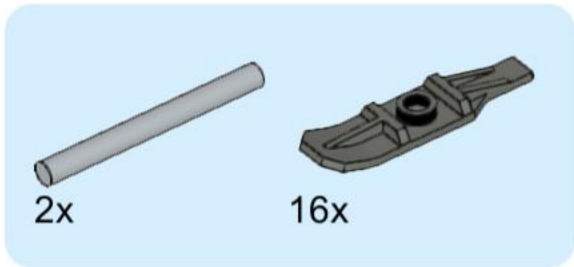
66

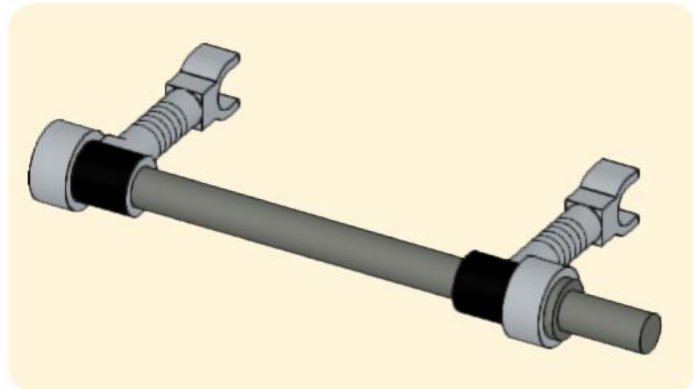
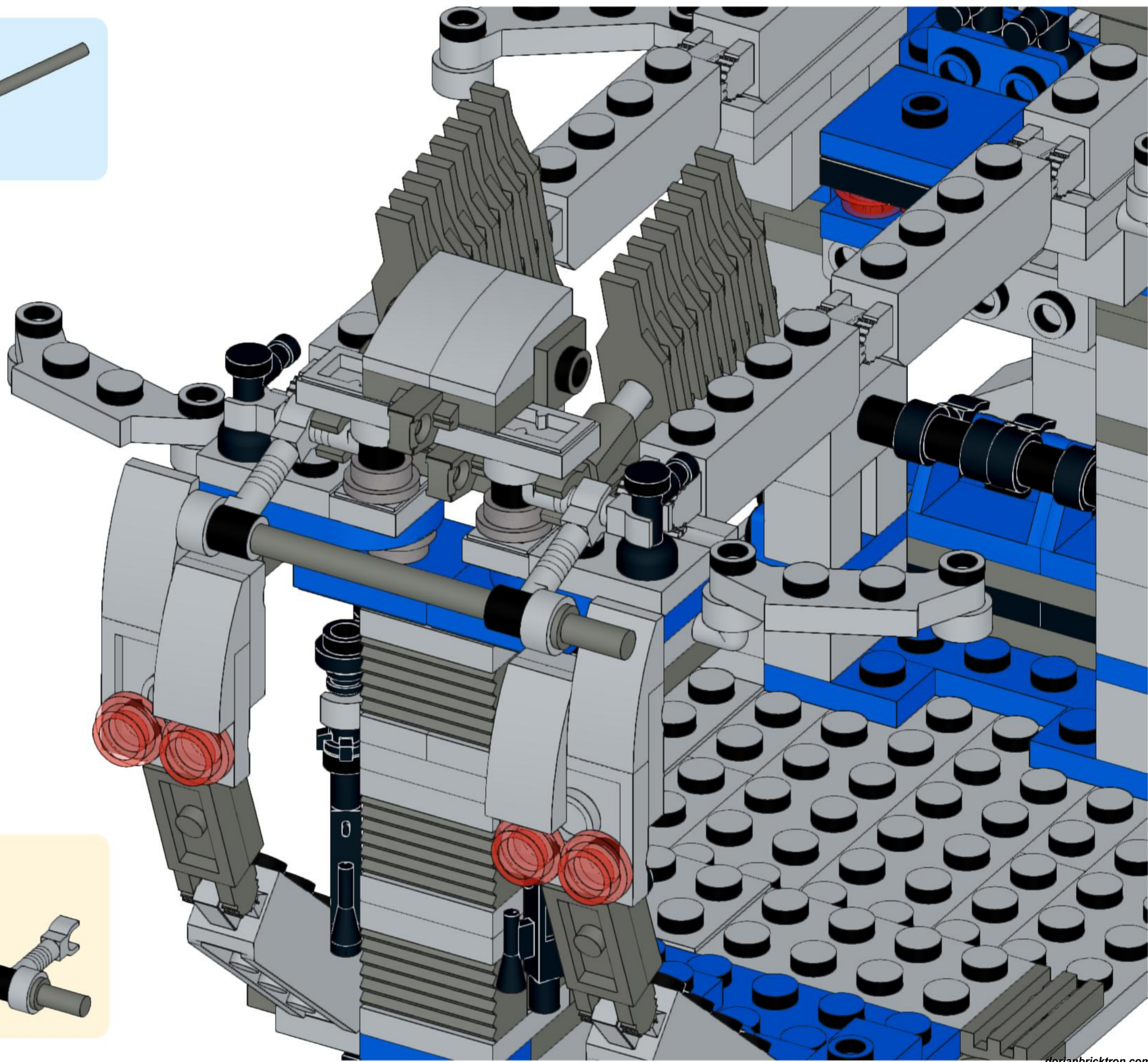
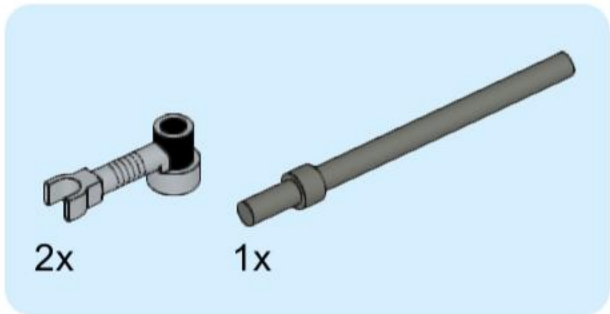


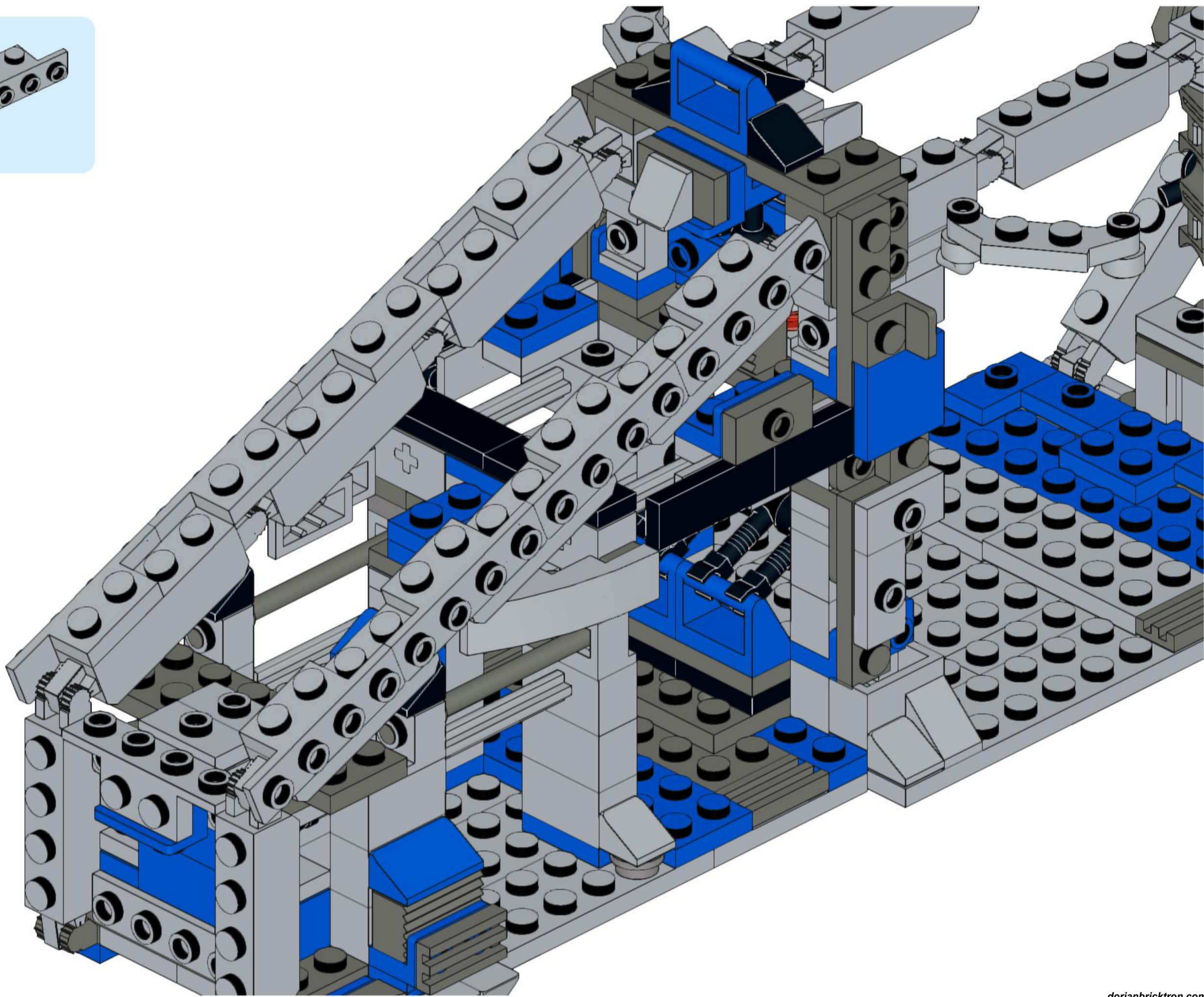
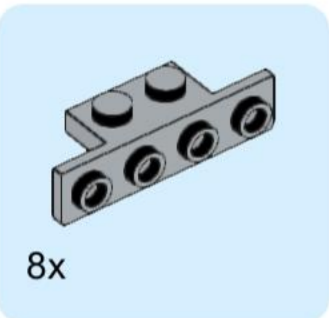




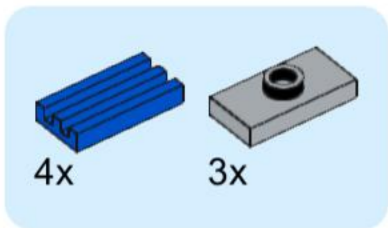




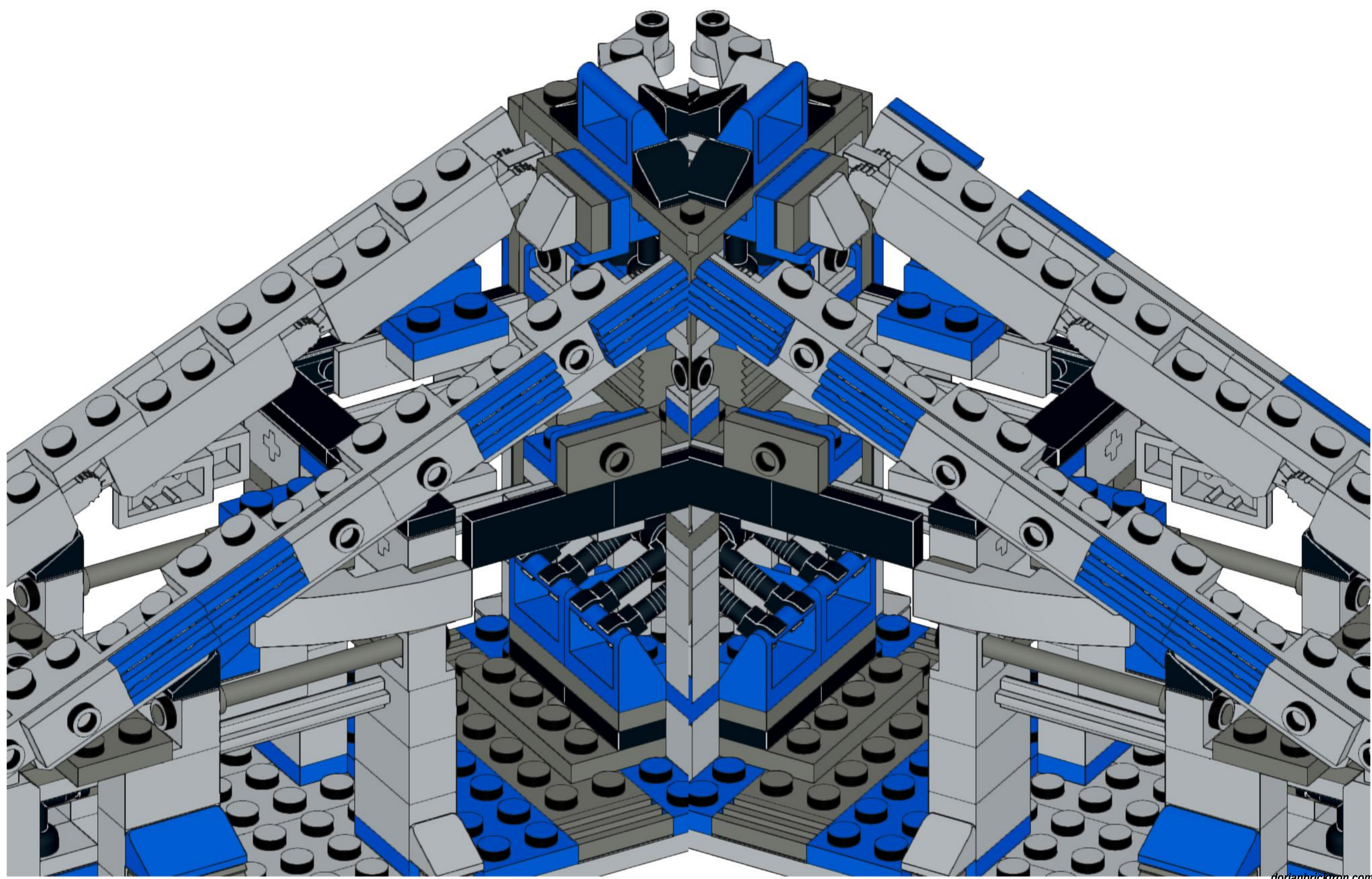
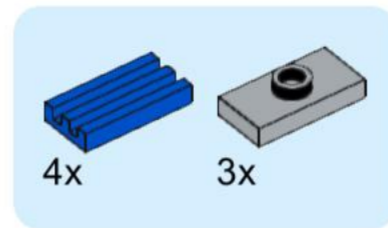




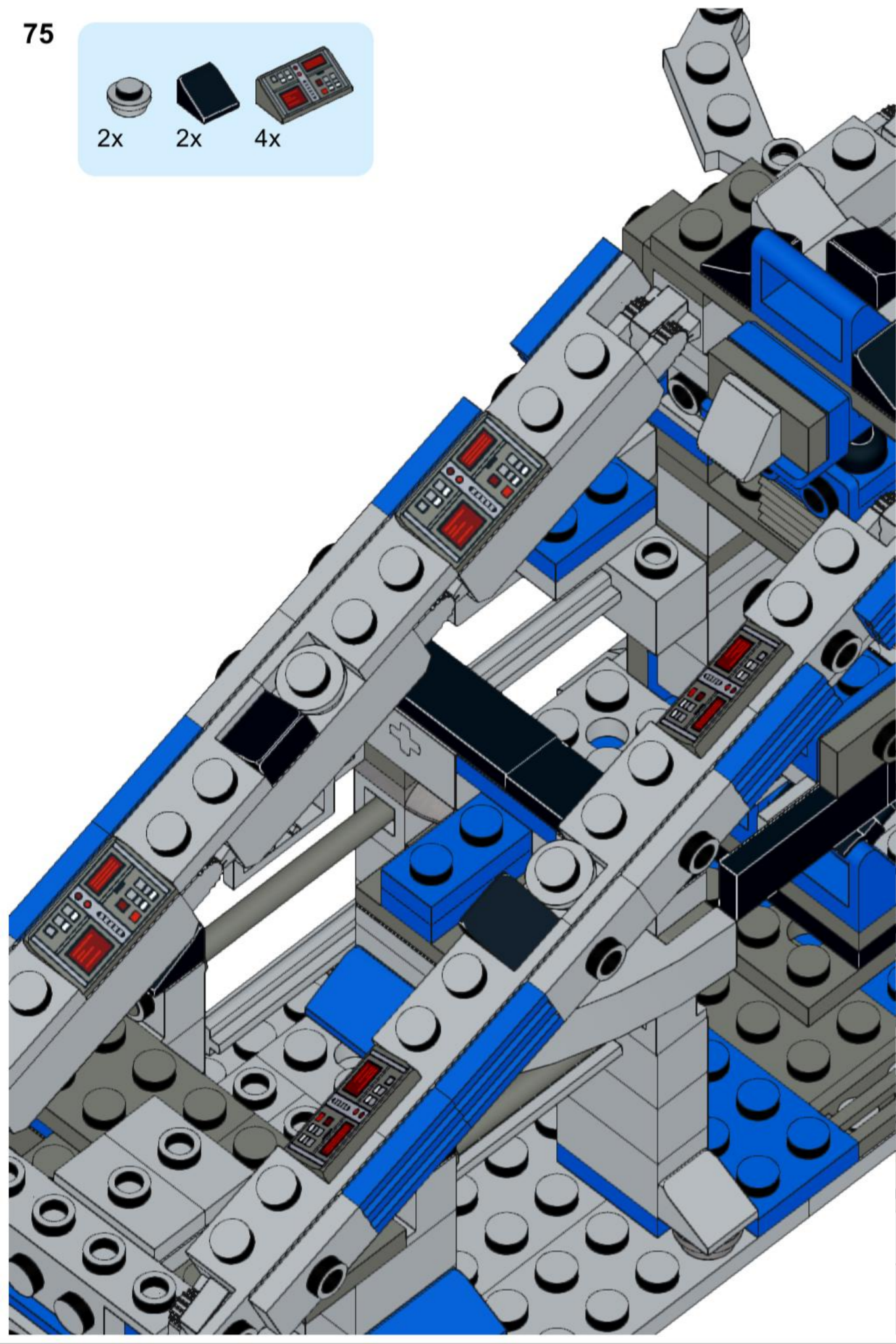
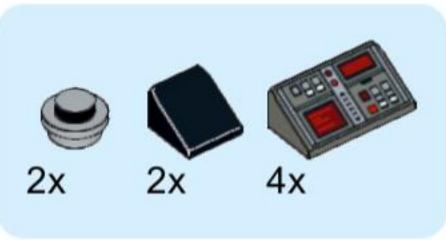
73



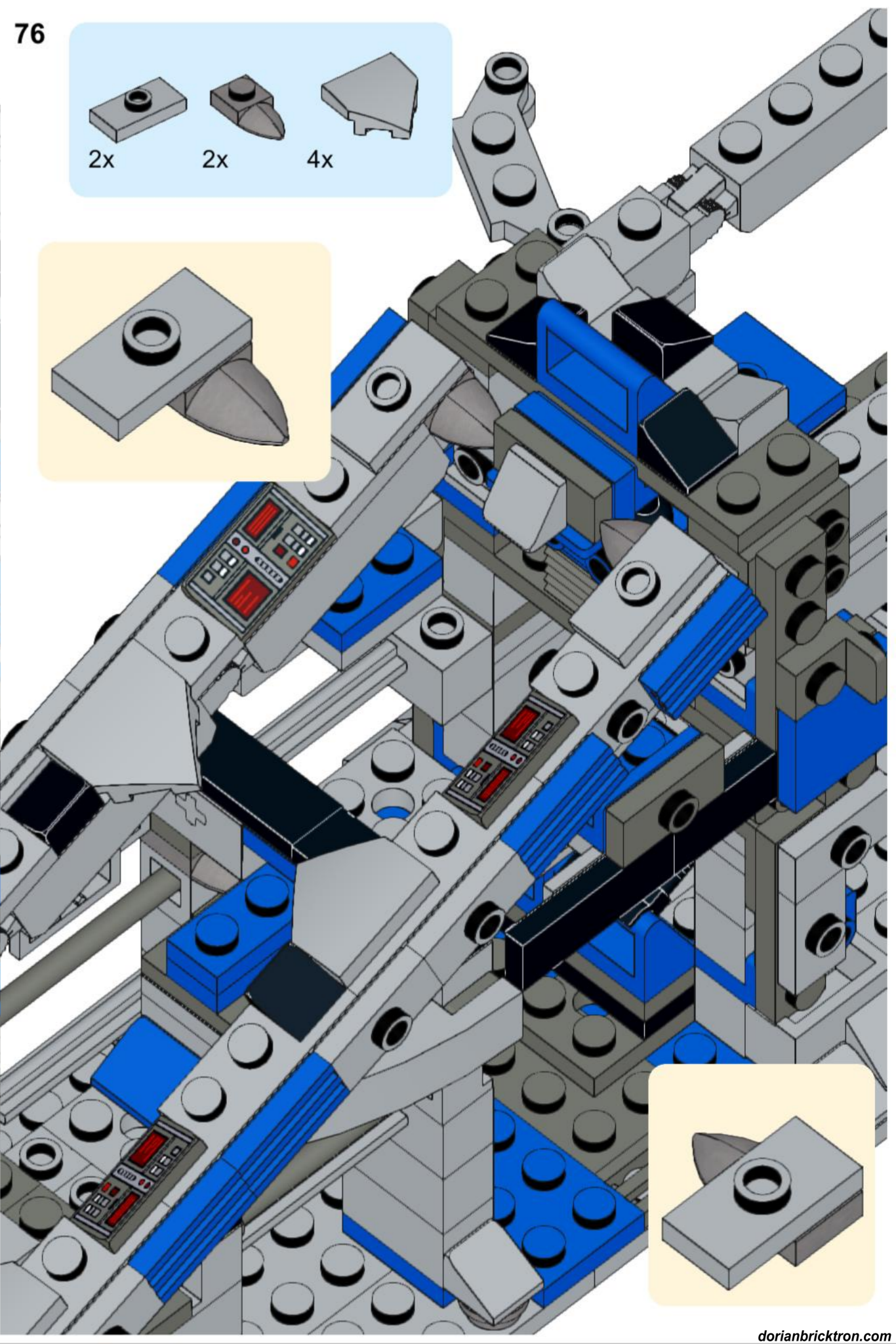
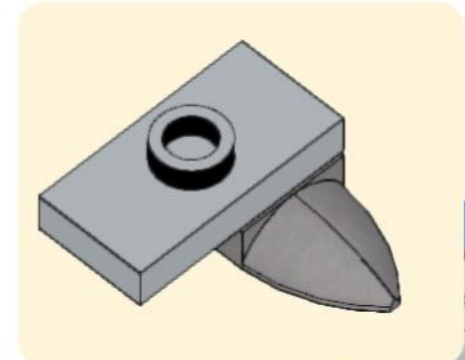
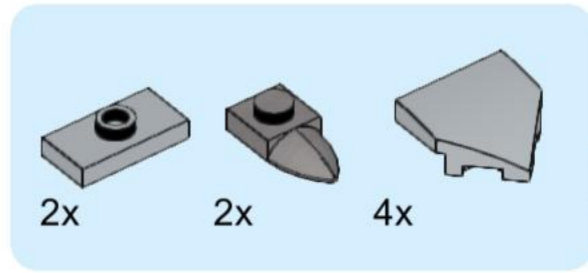
74

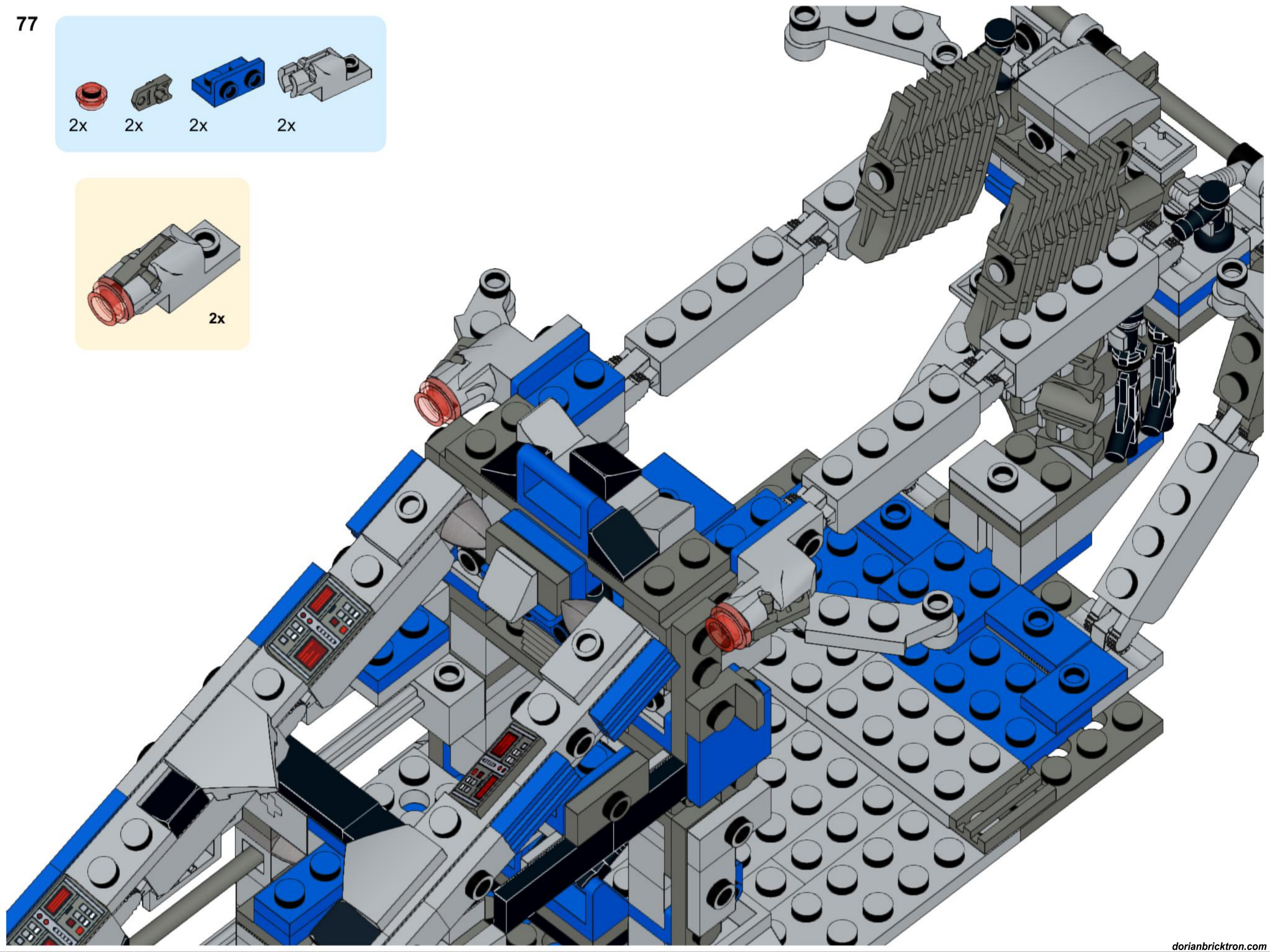
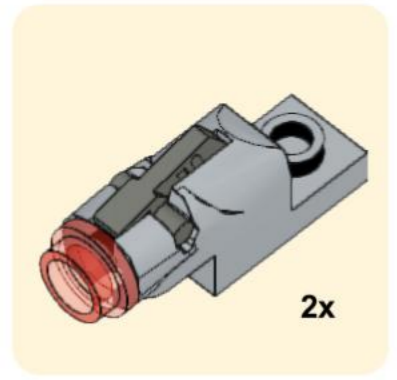
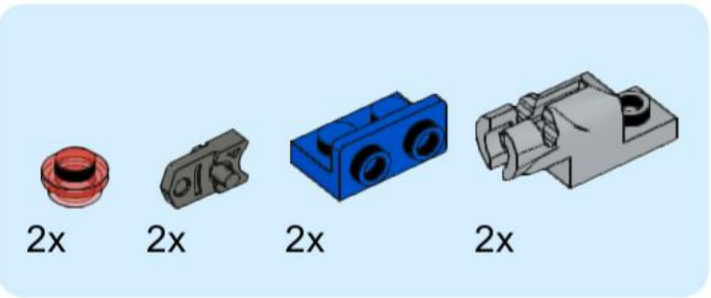


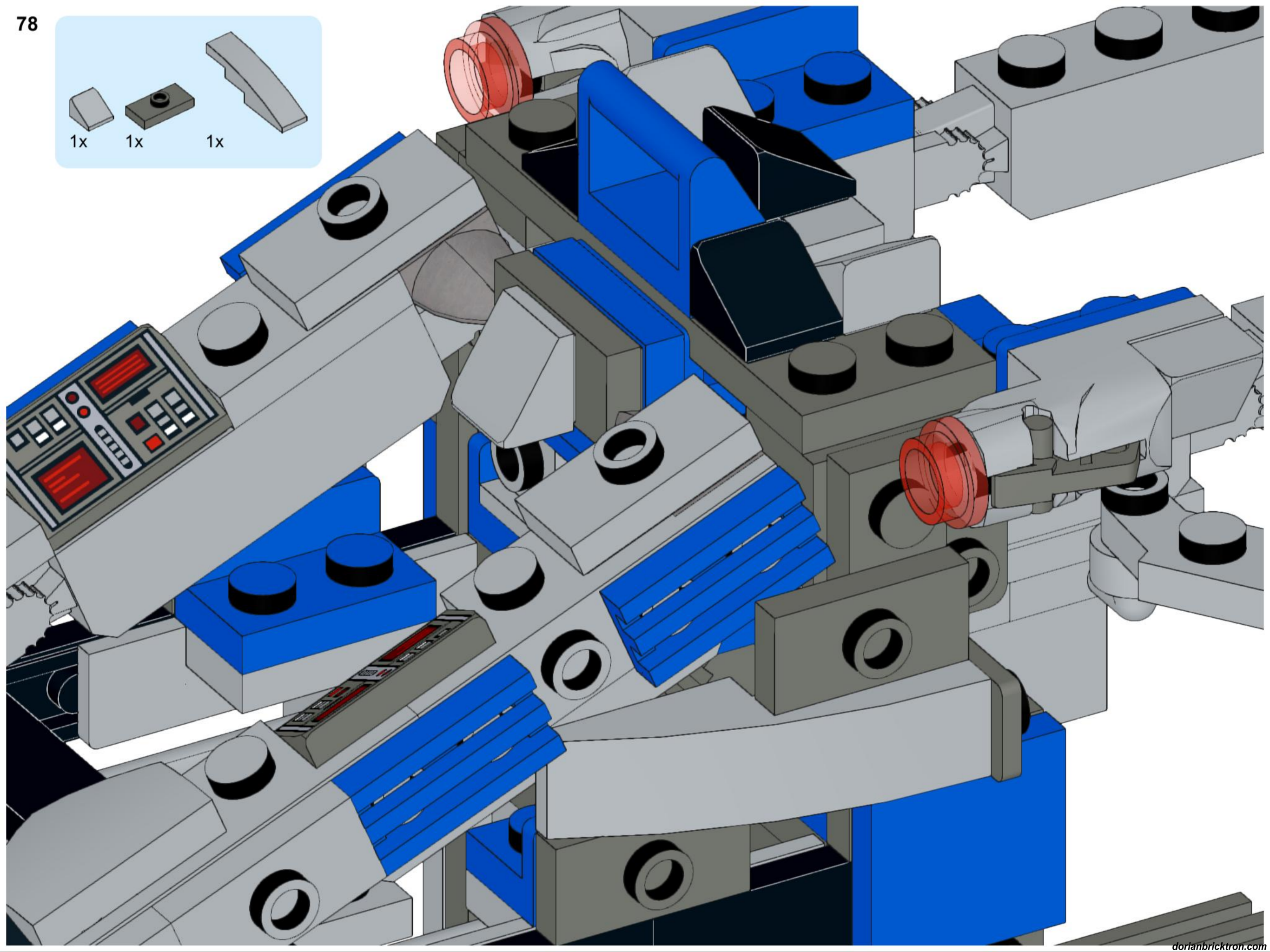
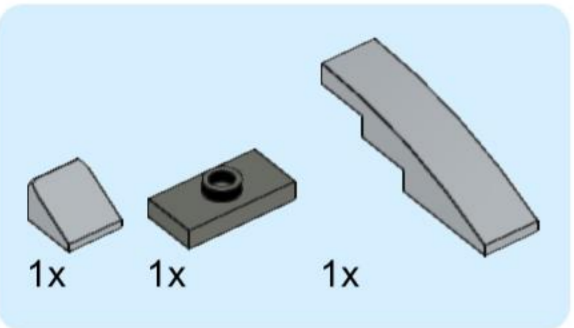
75

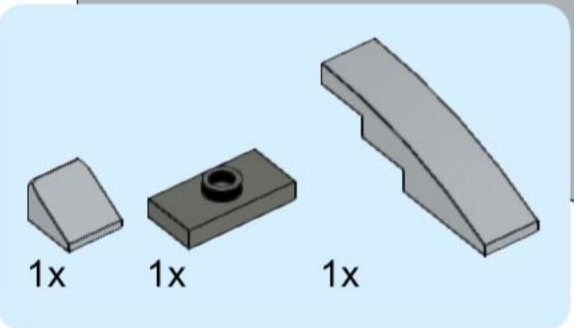


76



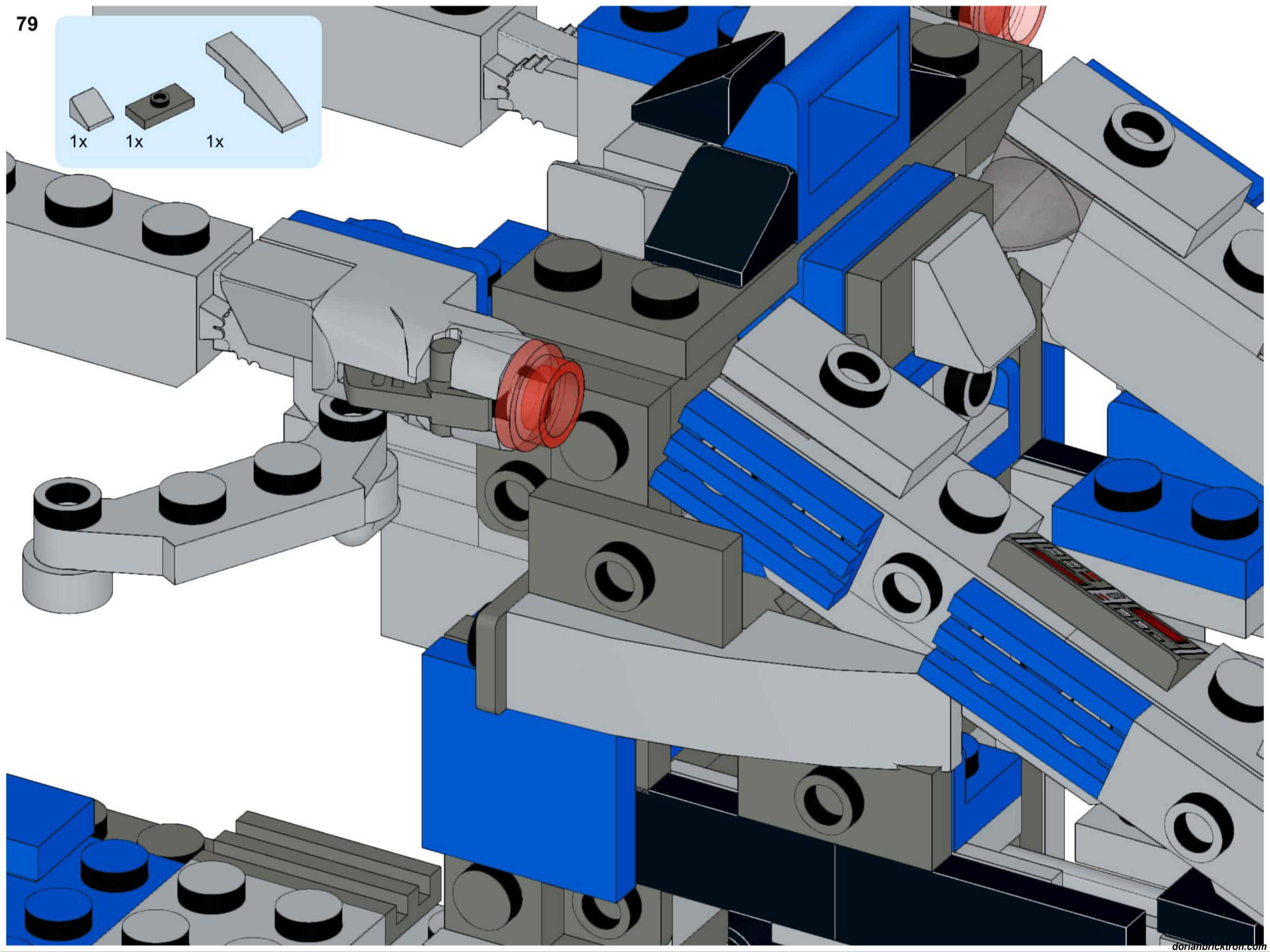


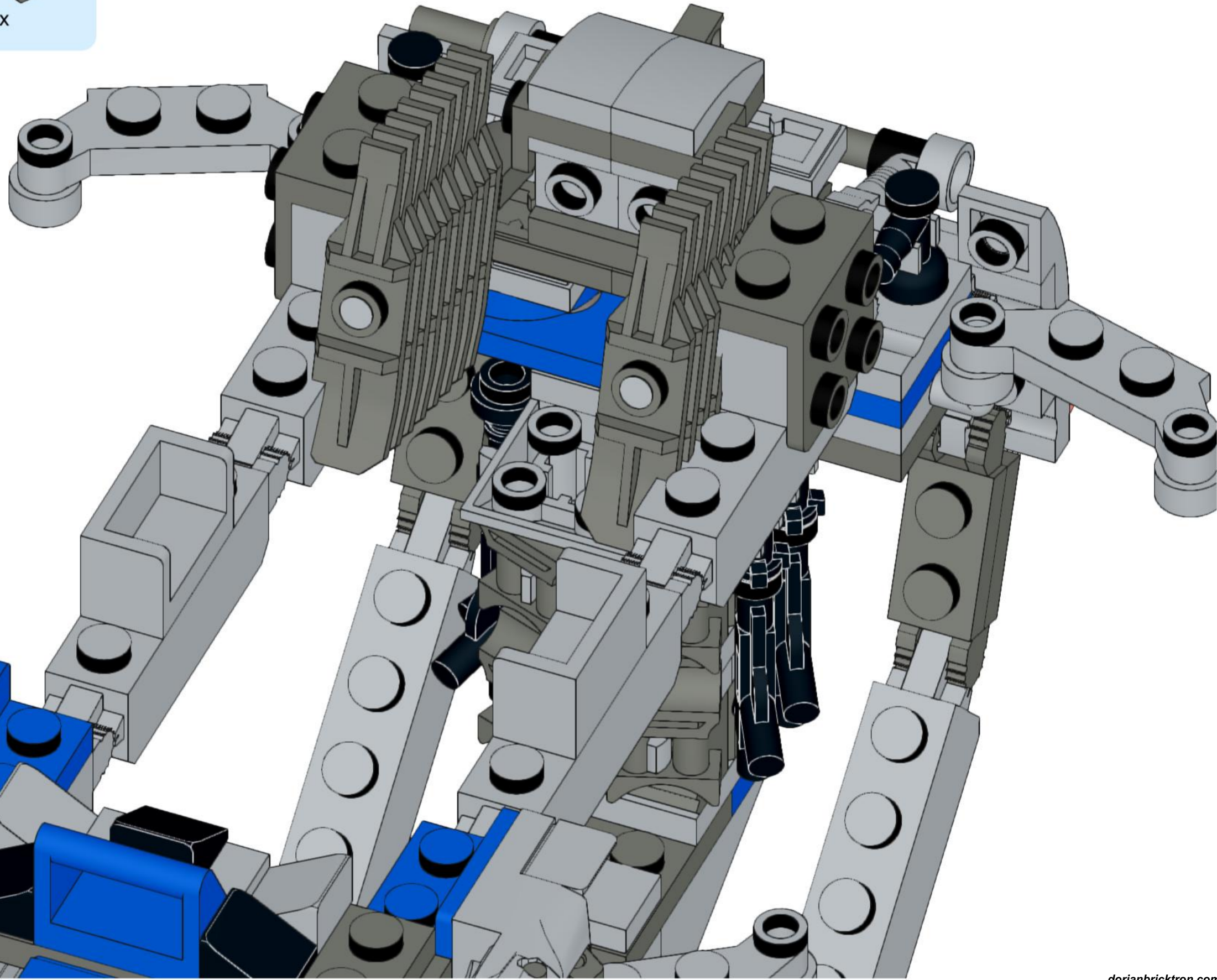
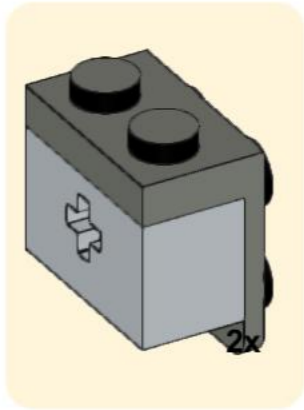
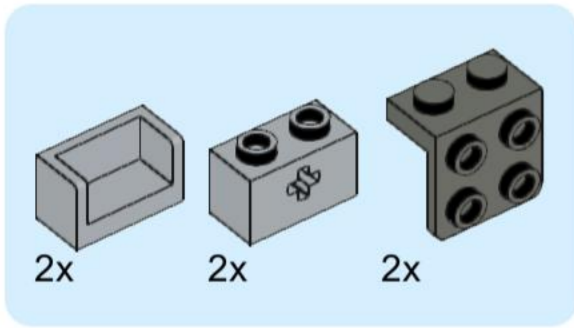




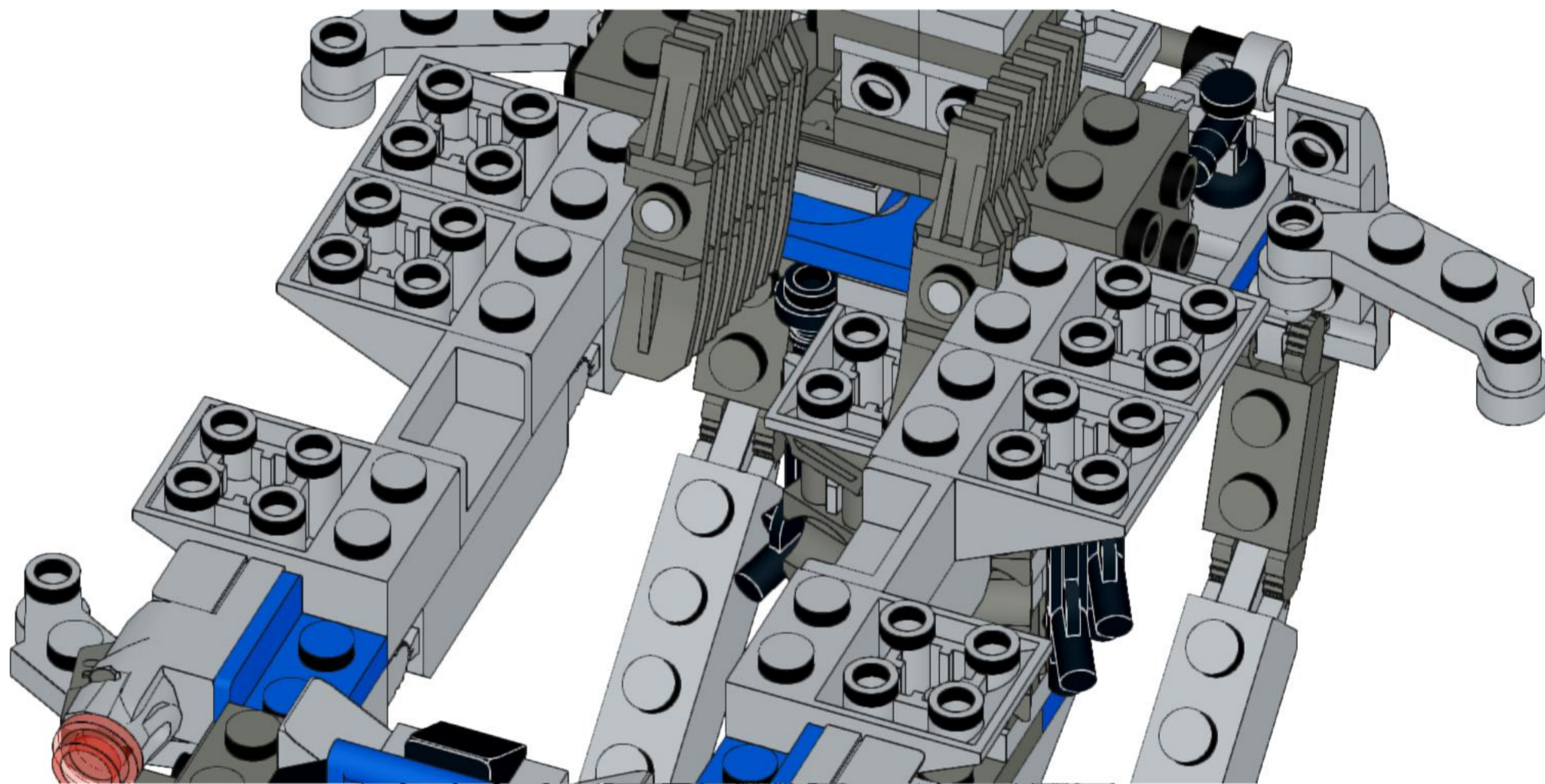
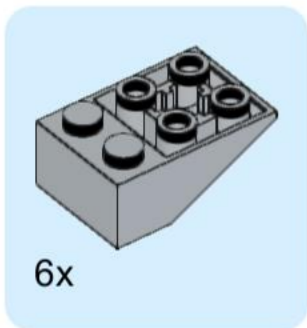
1x
1x
1x

This inset box shows the parts list for step 79. It contains three items: a grey 1/2 wedge, a grey 1/2 Technic brick with a hole, and a grey 1/2 Technic Technonote. Each item is accompanied by the quantity '1x'.

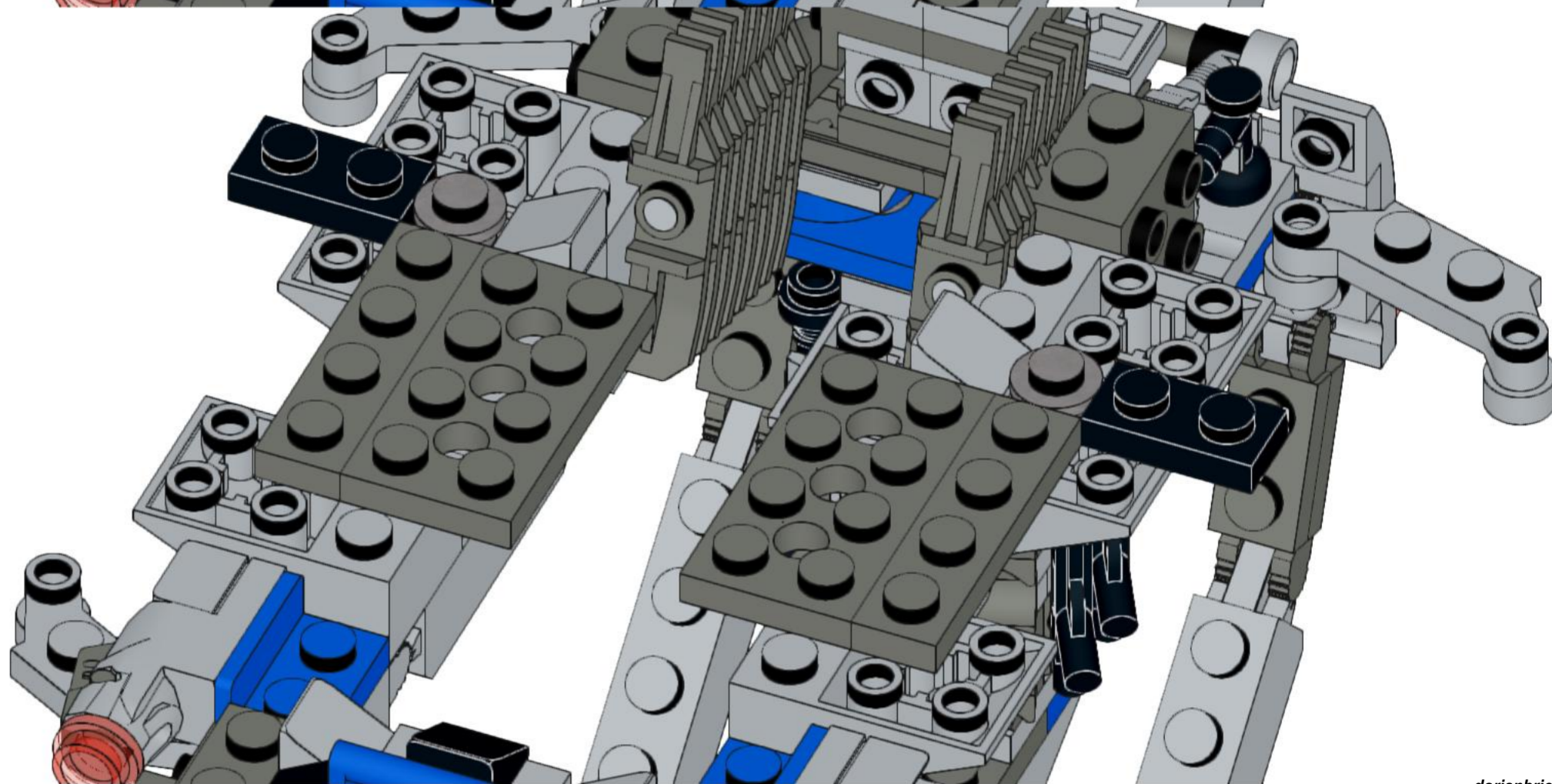
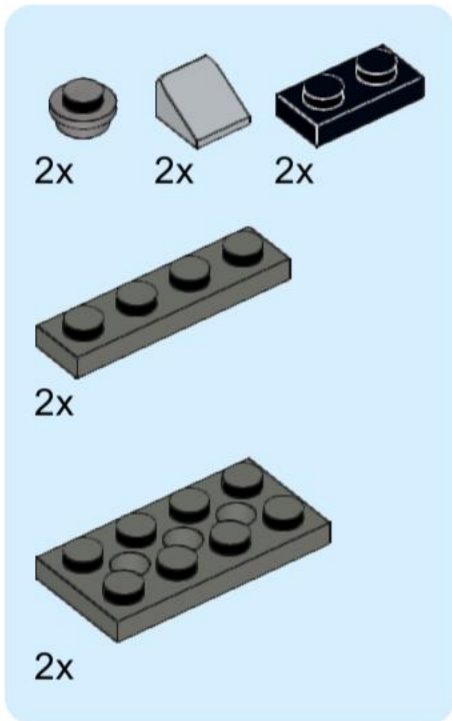




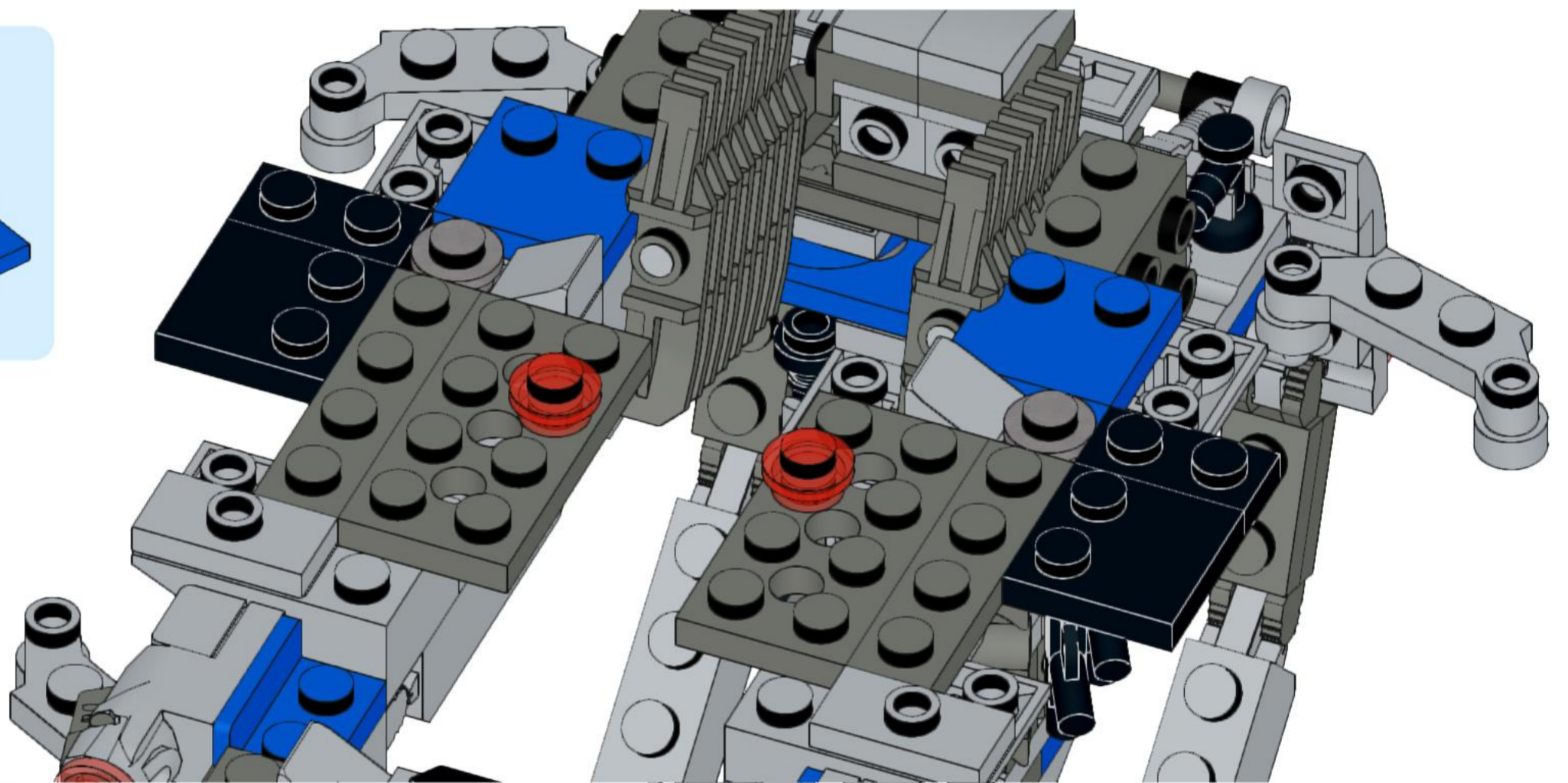
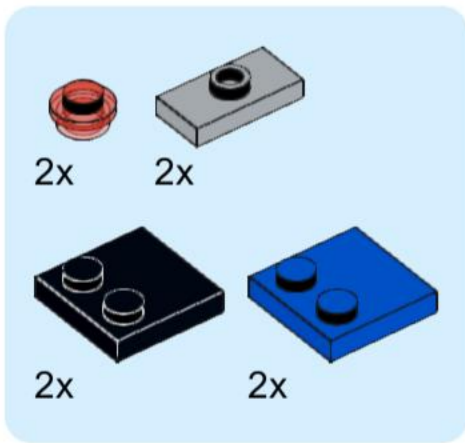
81



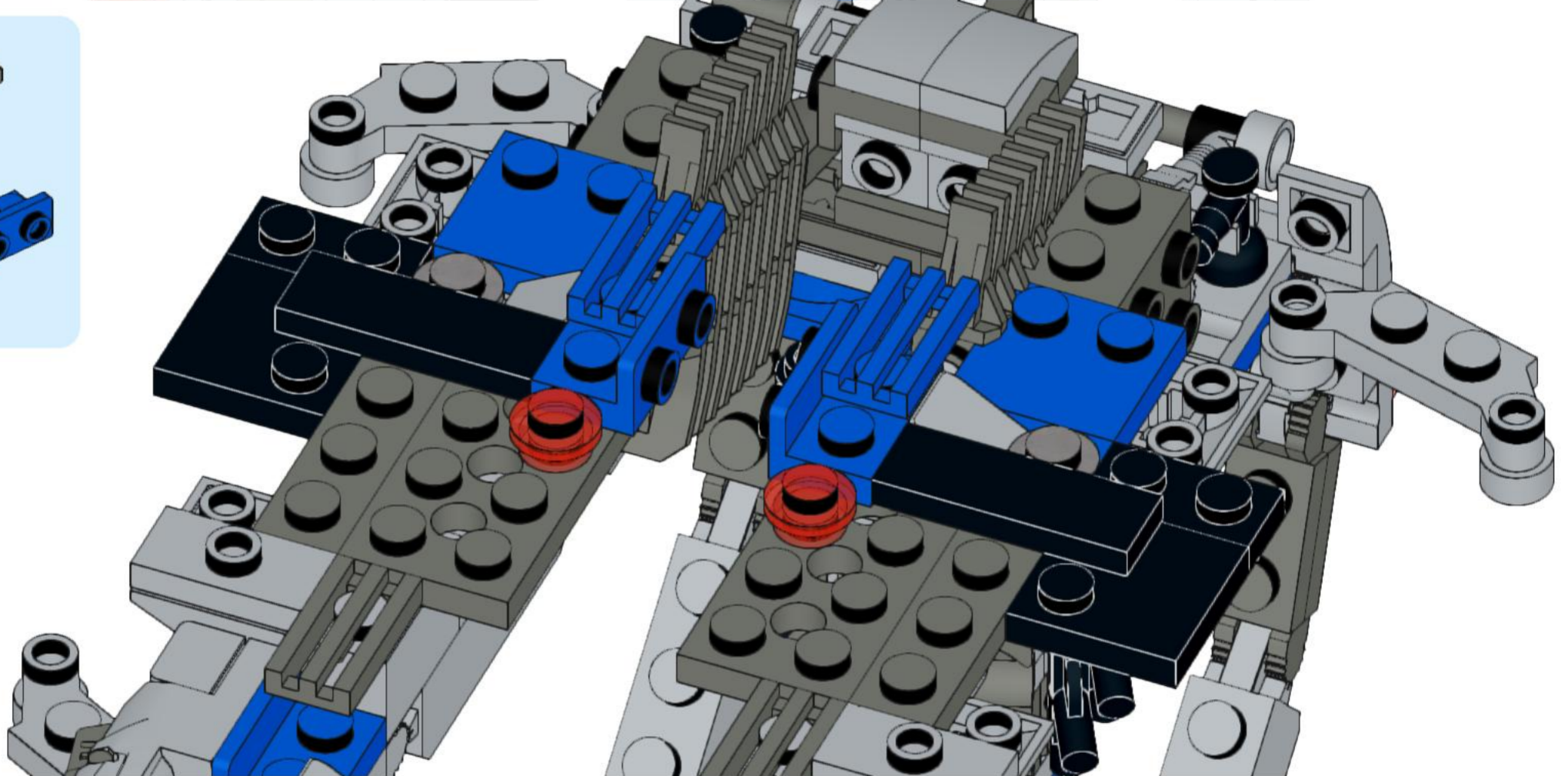
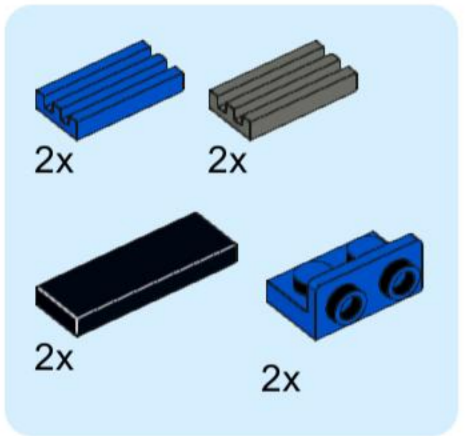
82



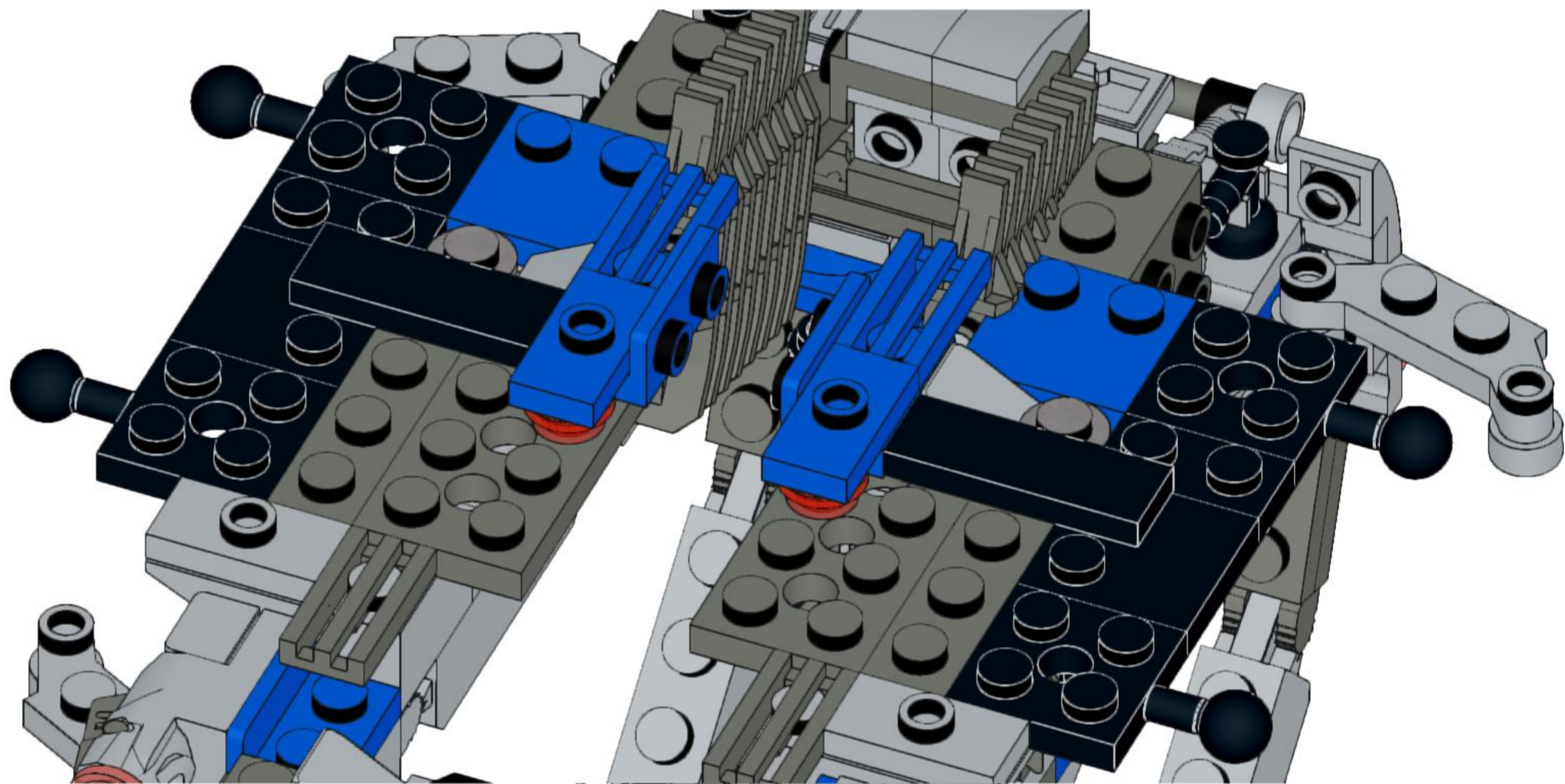
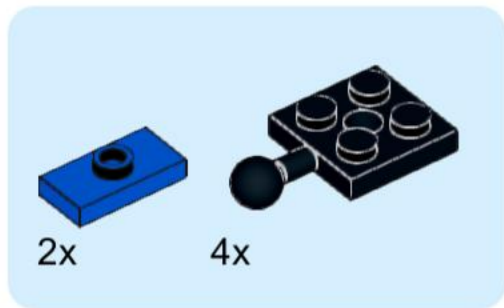
83



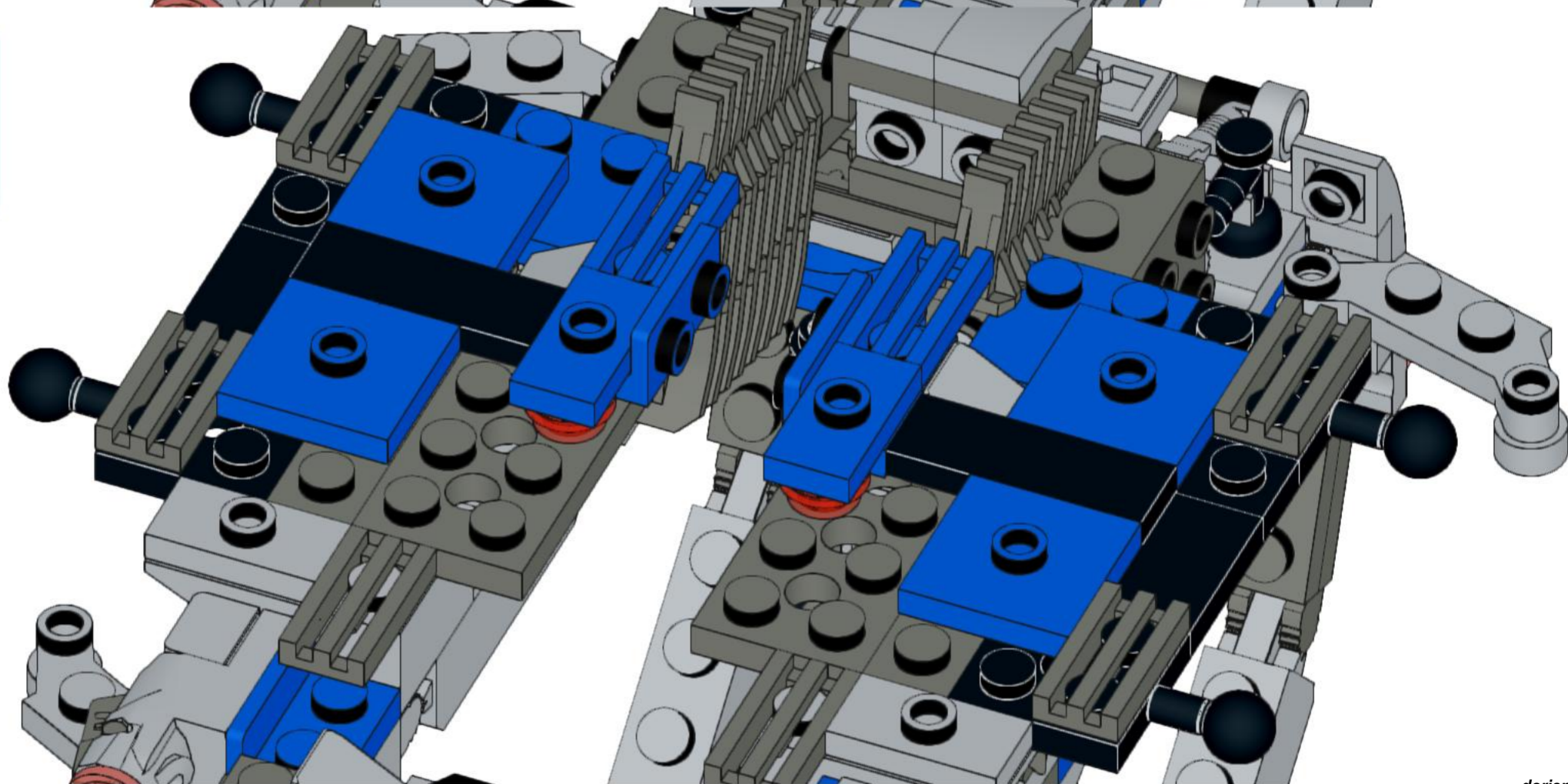
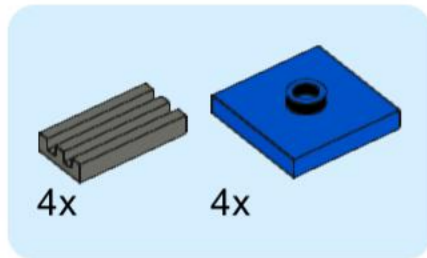
84

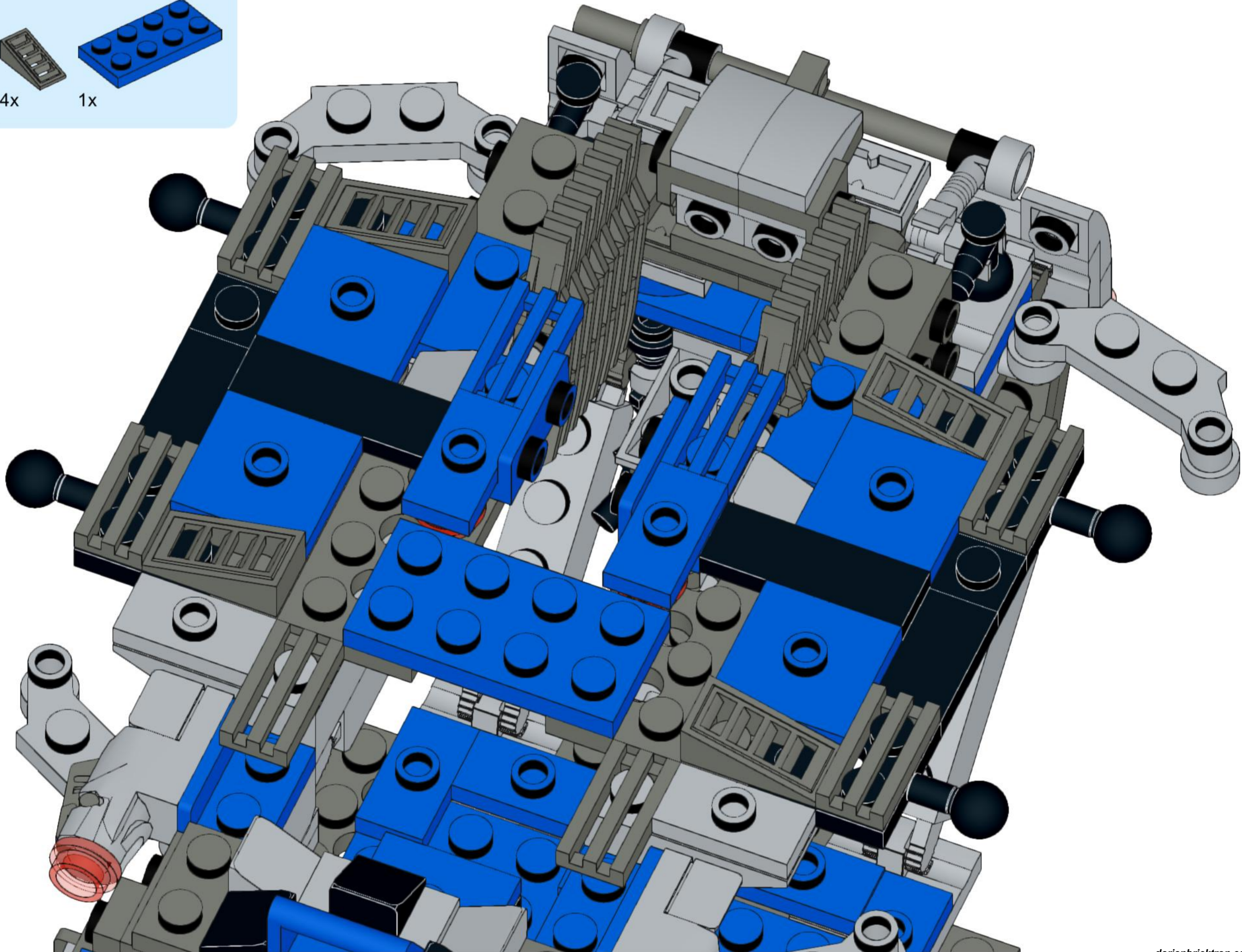
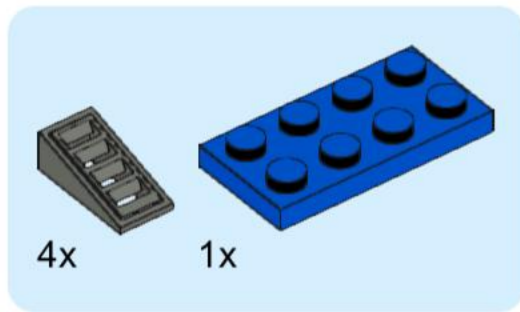


85

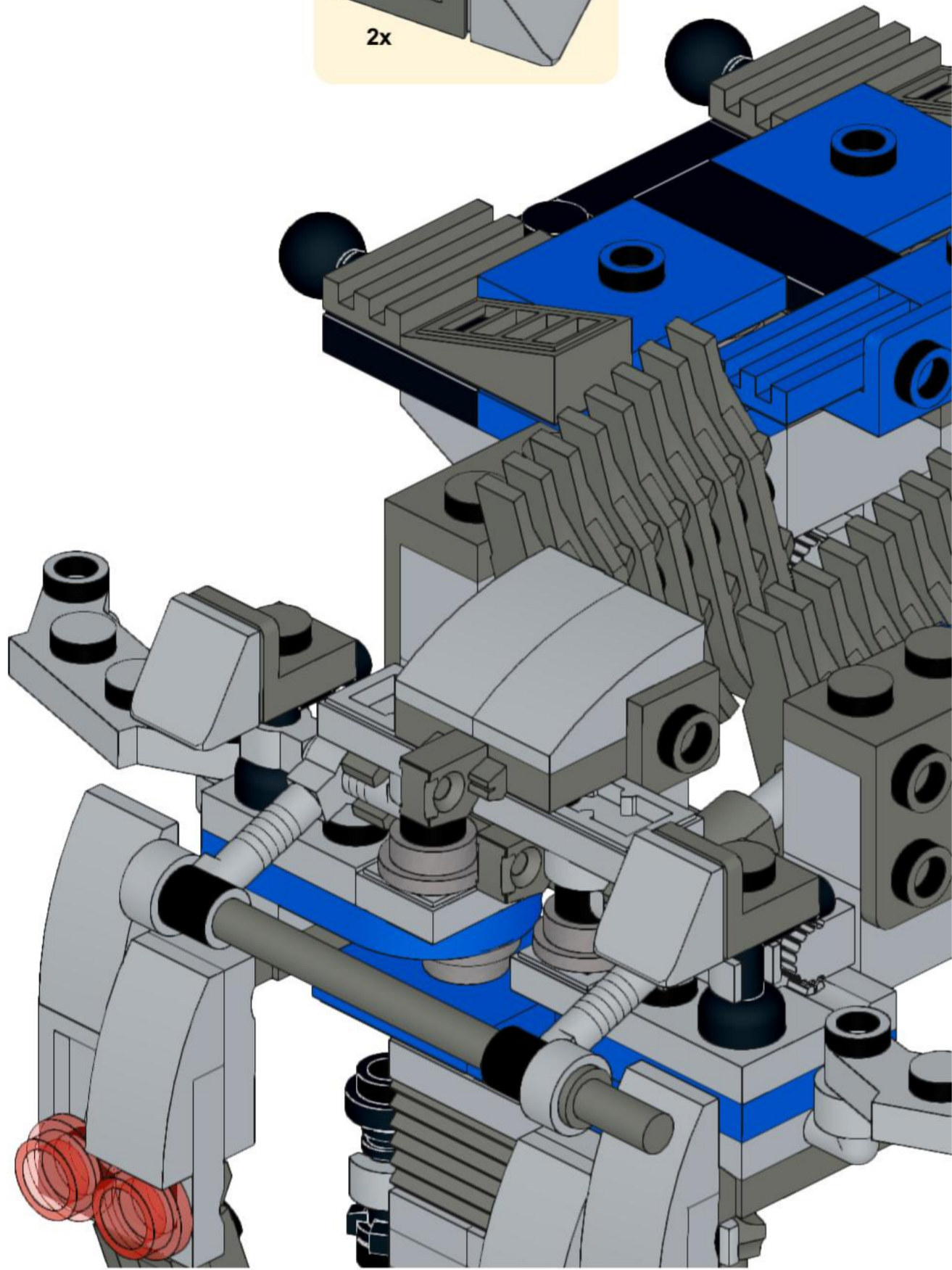
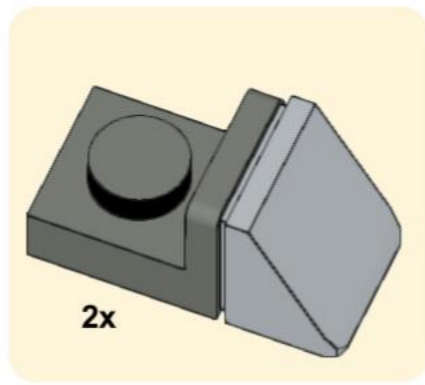
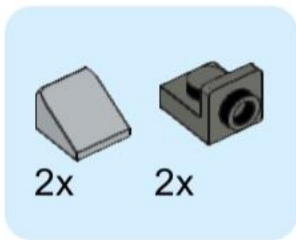


86

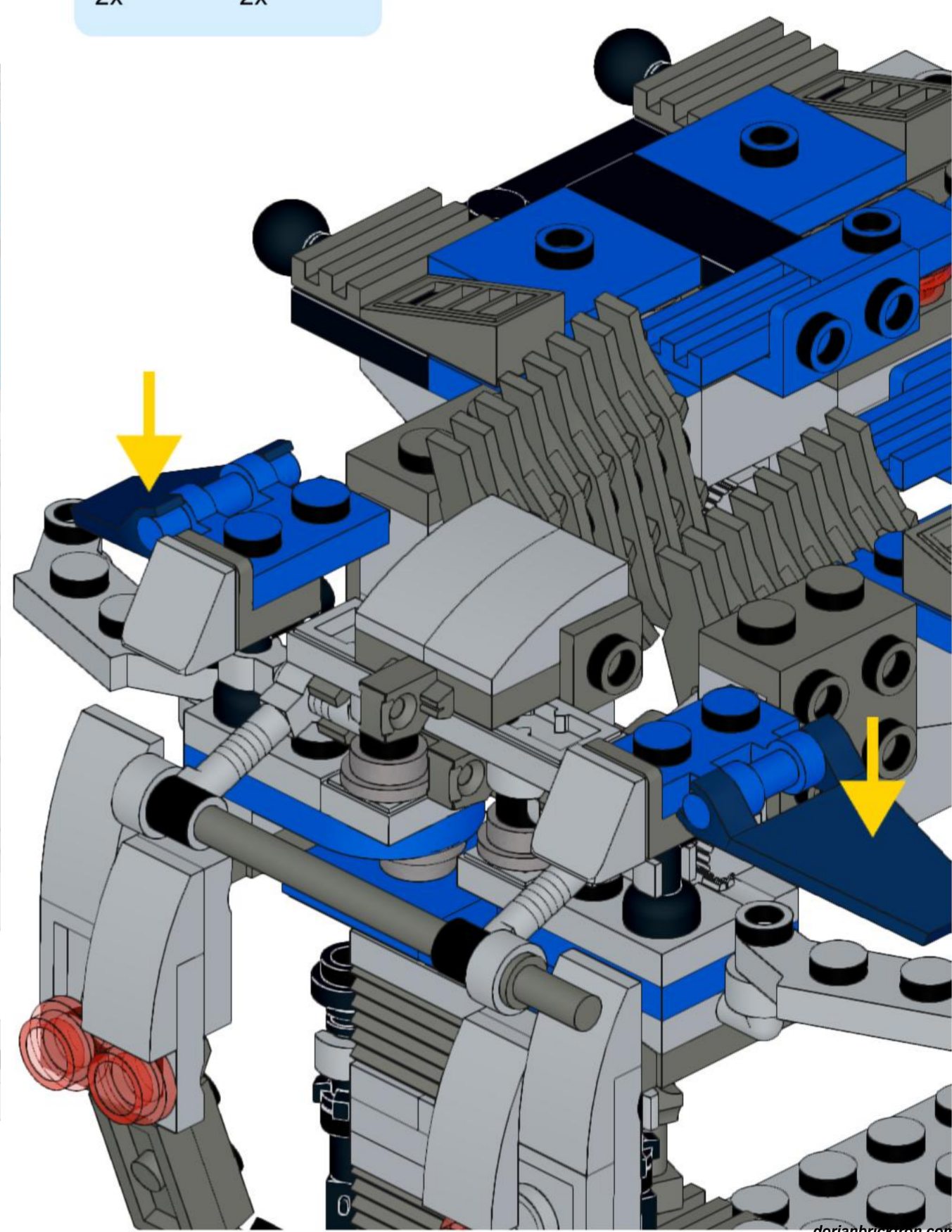
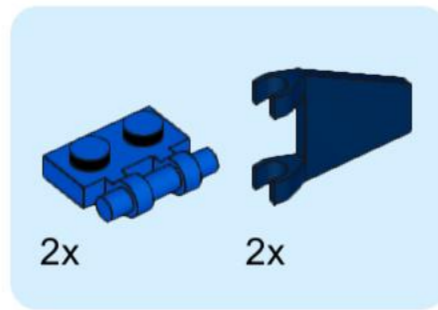


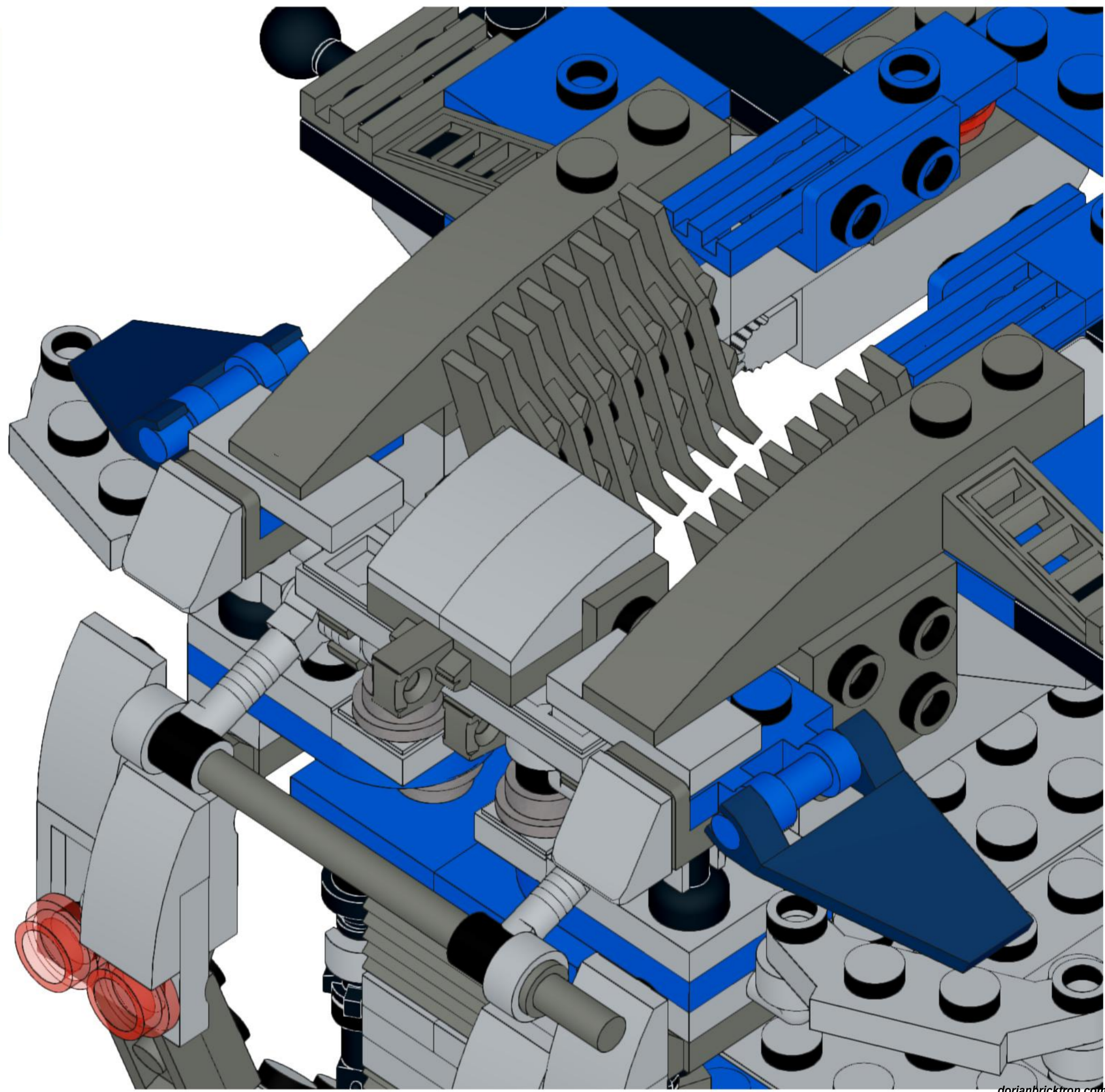
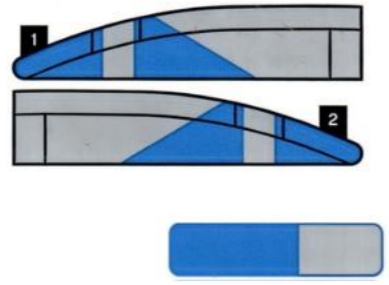
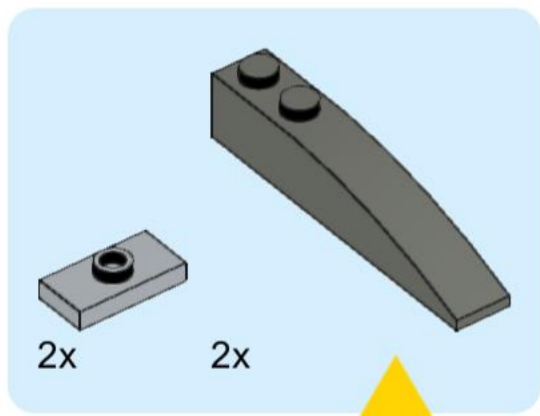


88

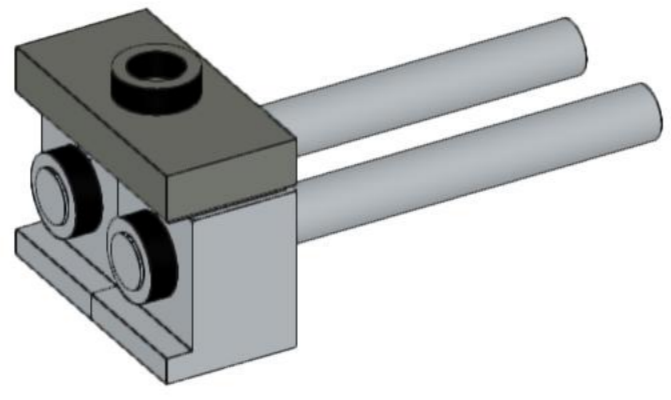
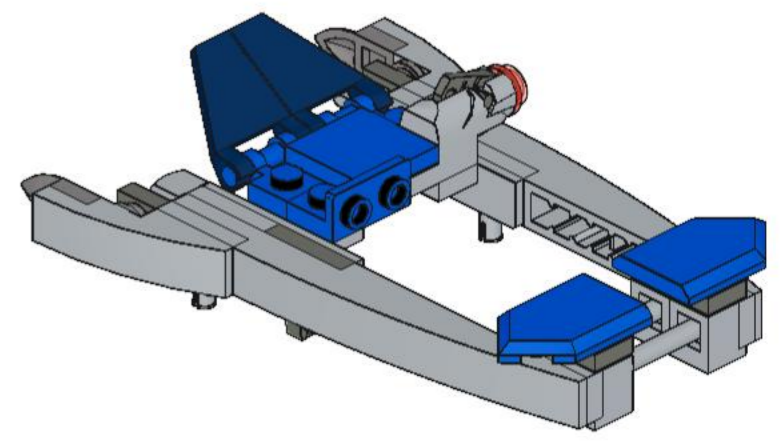
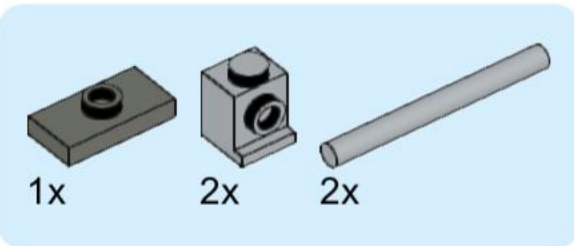


89

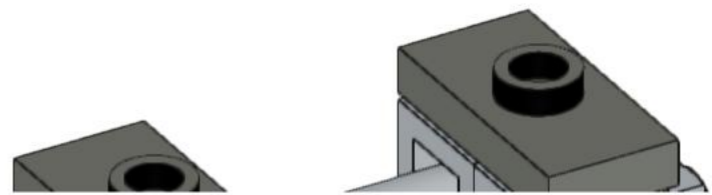
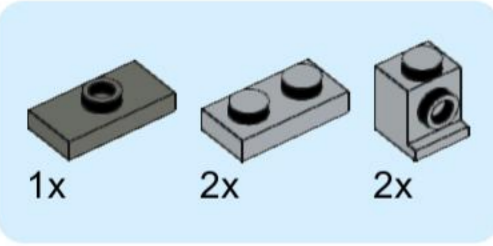




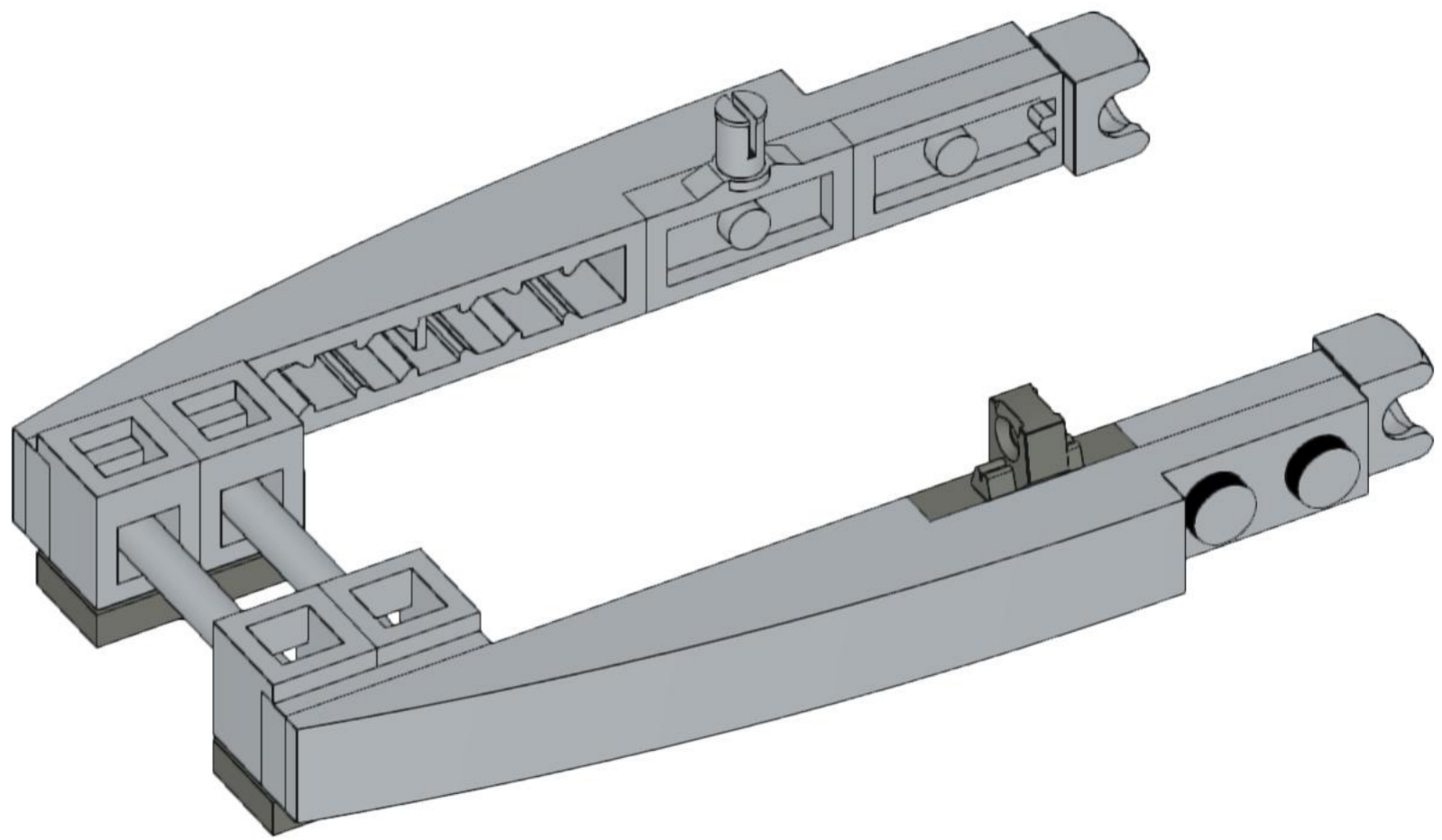
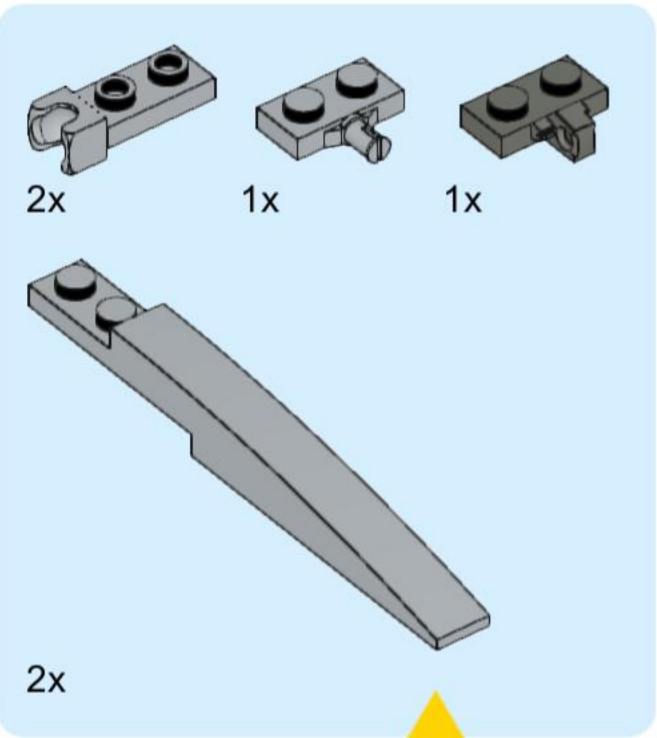
91



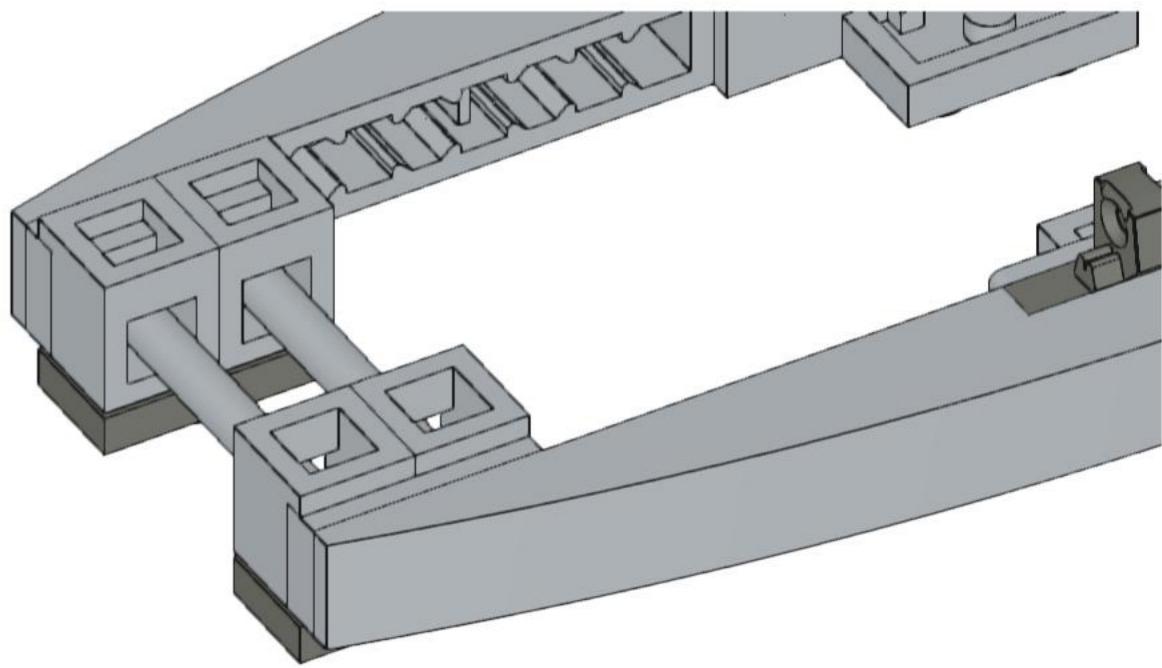
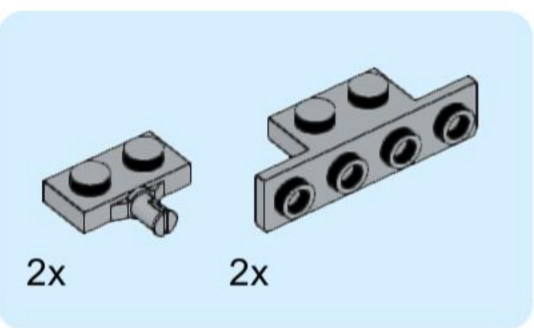
92



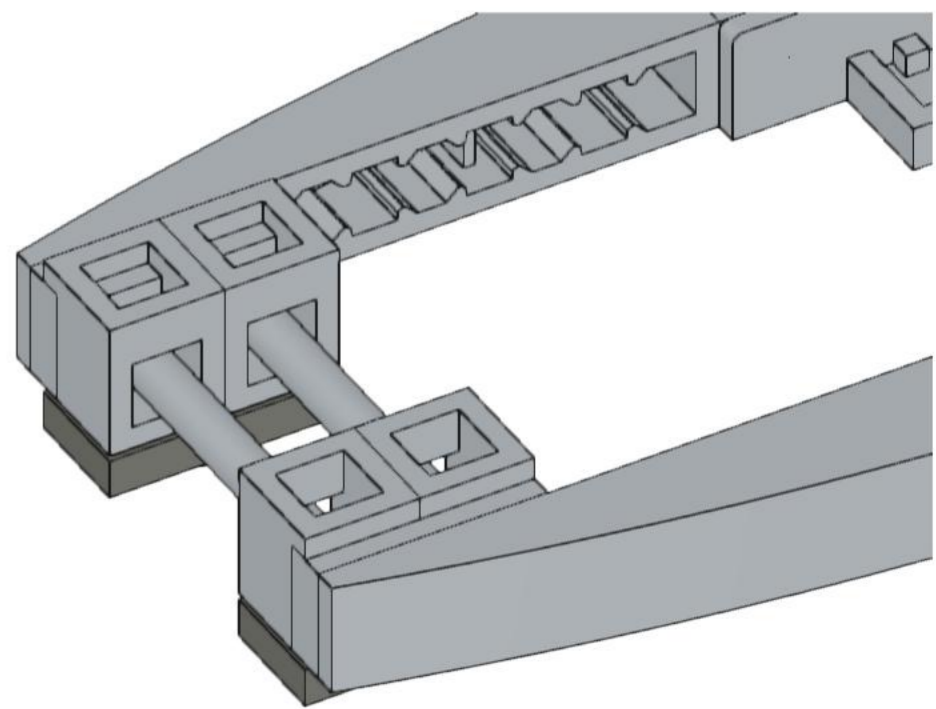
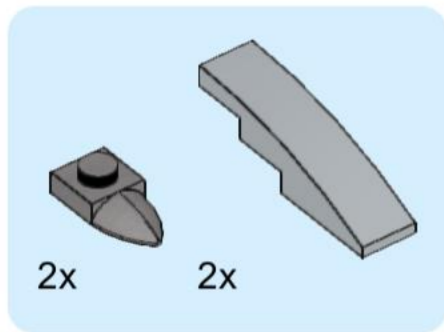
93



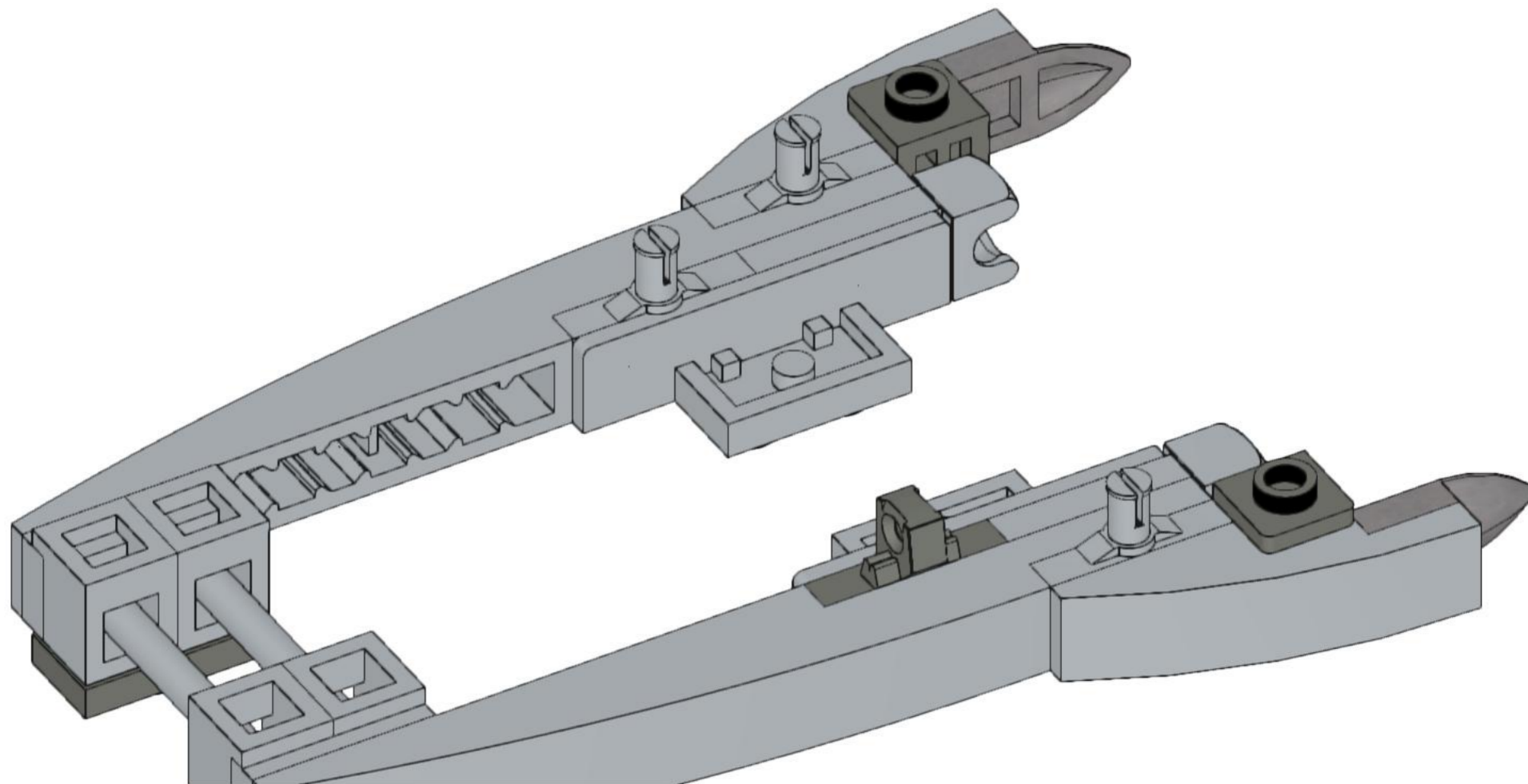
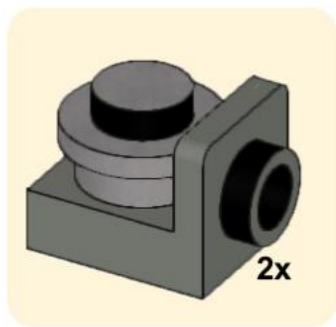
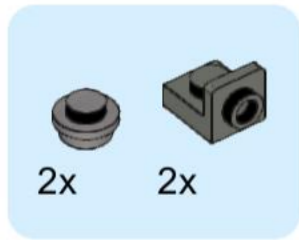
94



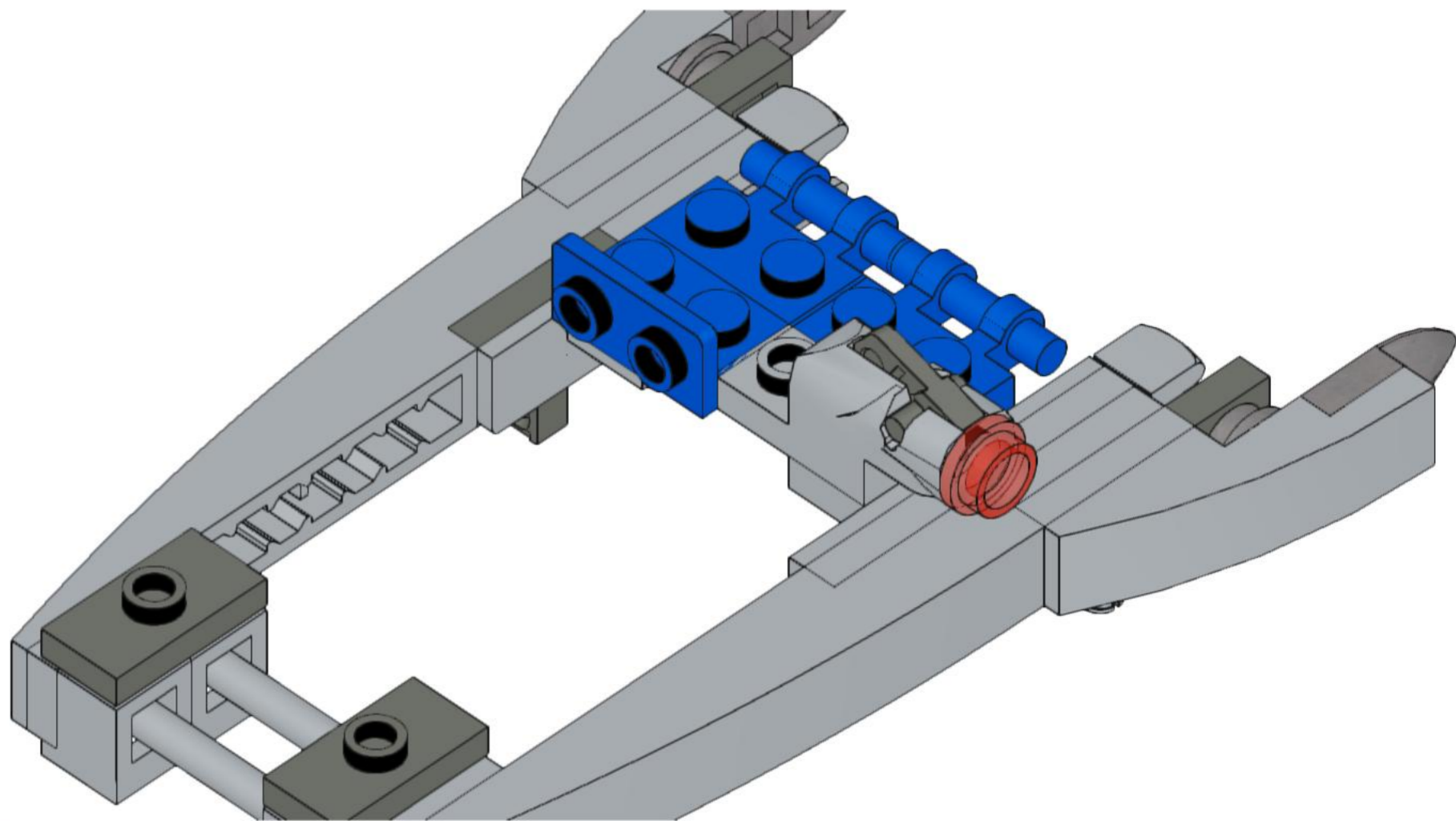
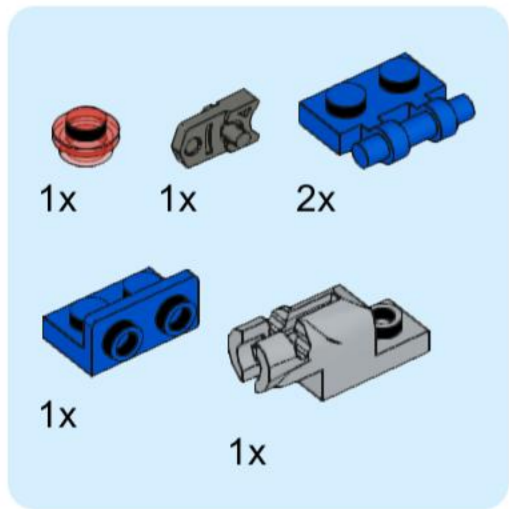
95



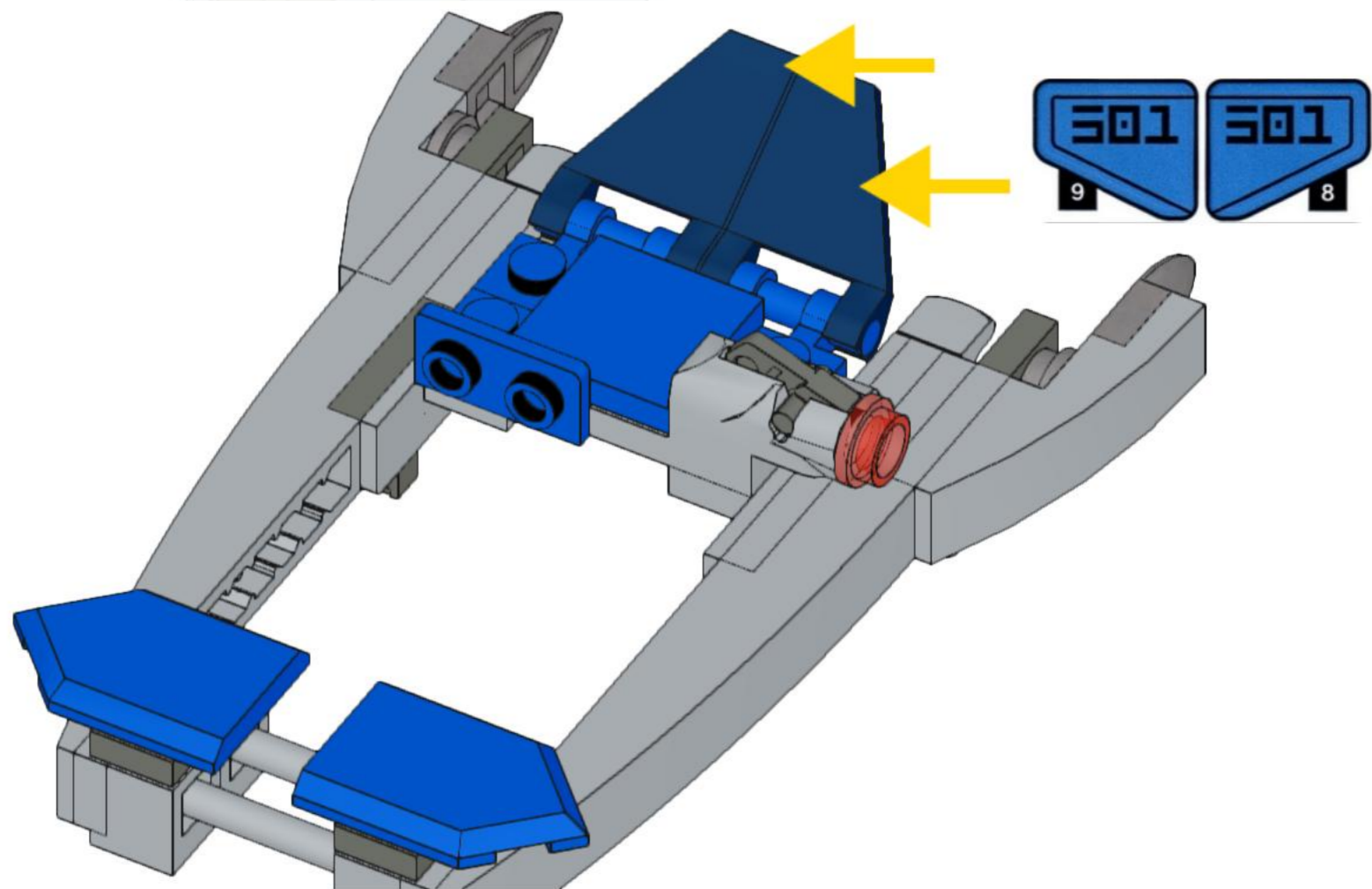
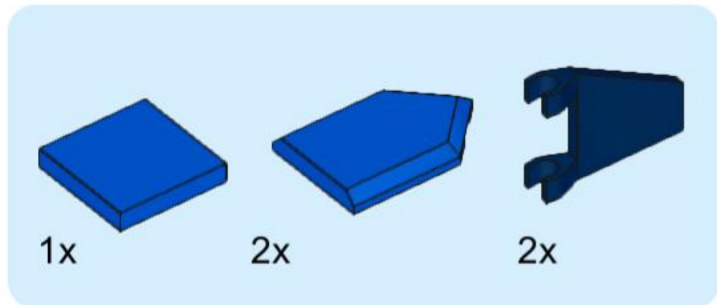
96

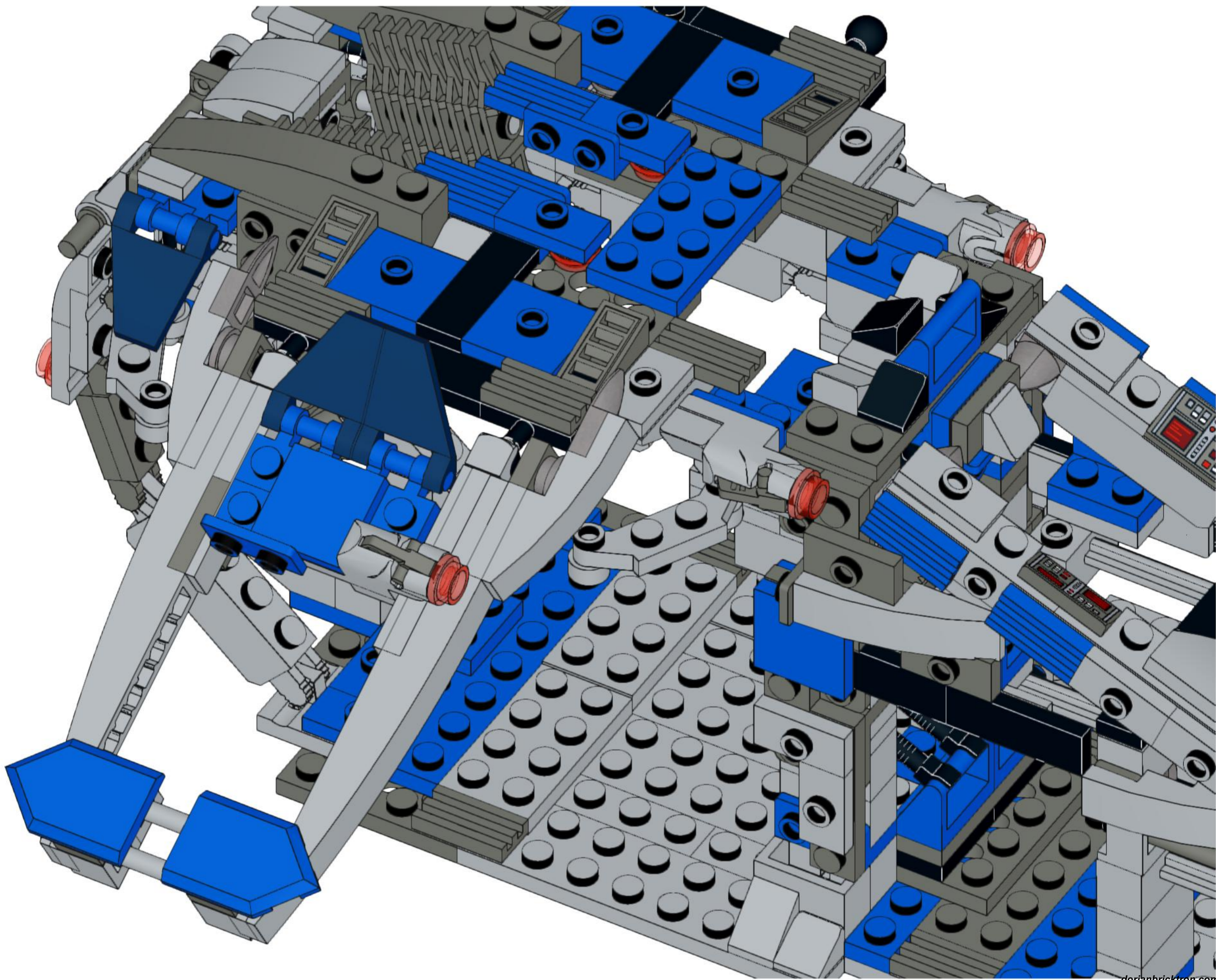


97

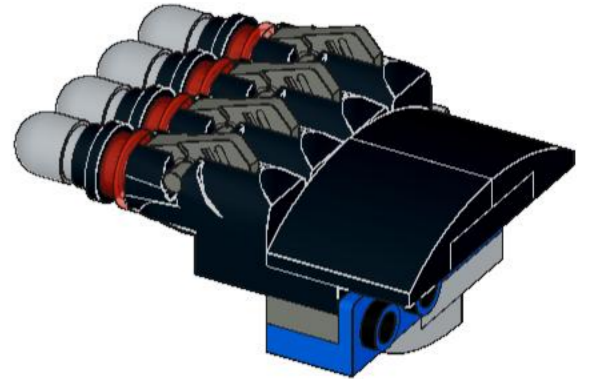
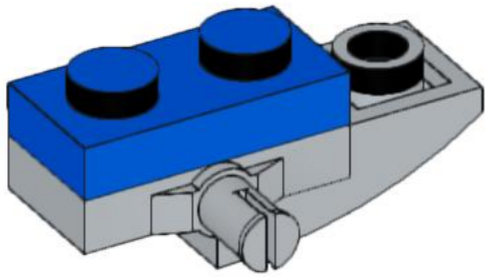
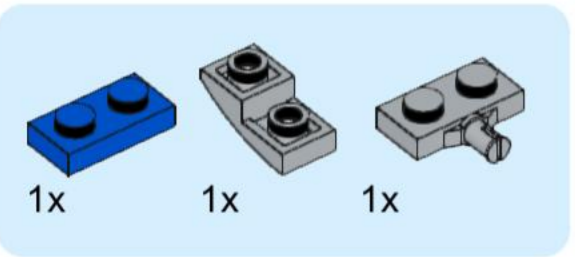


98

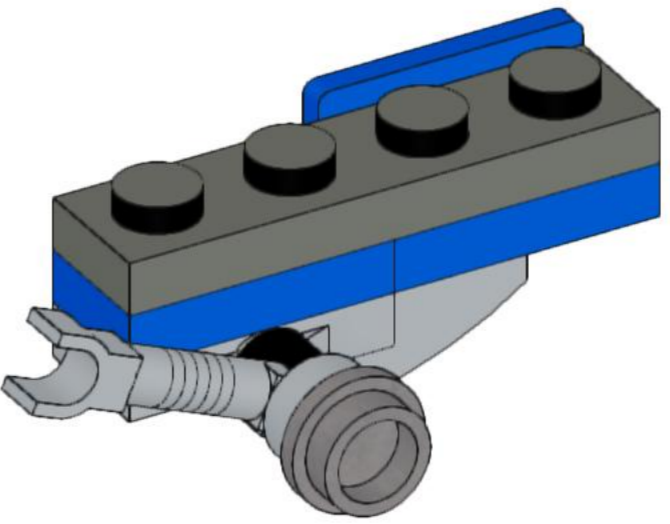
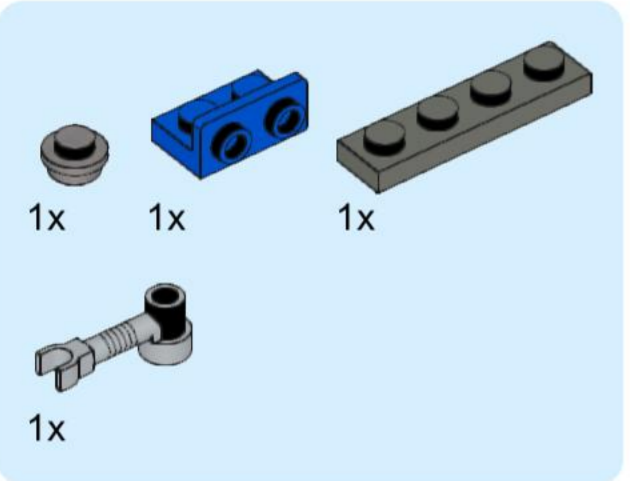


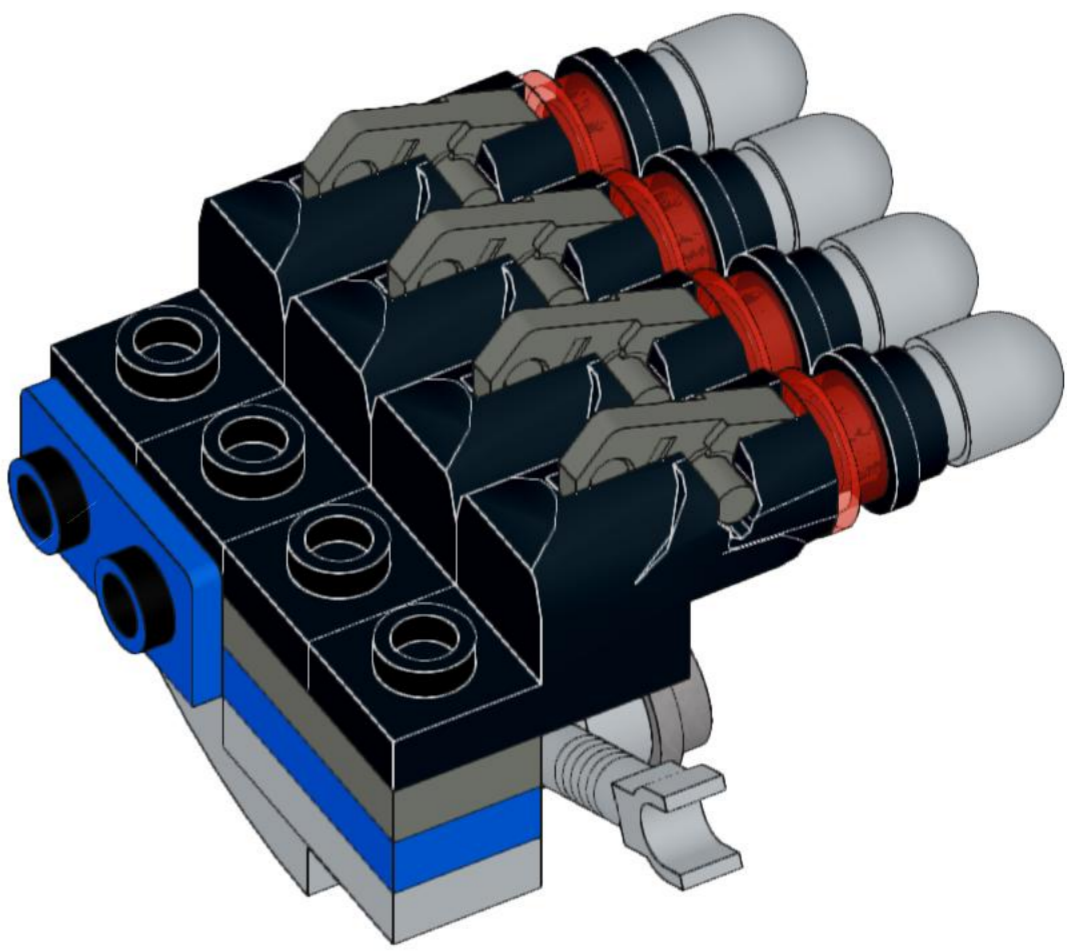
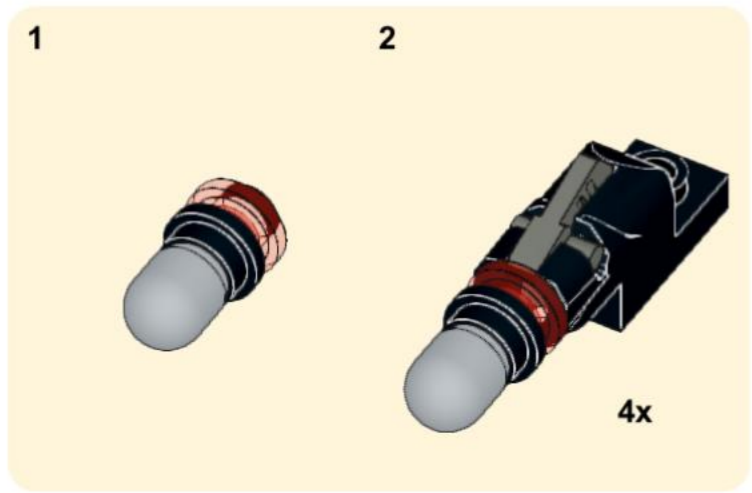
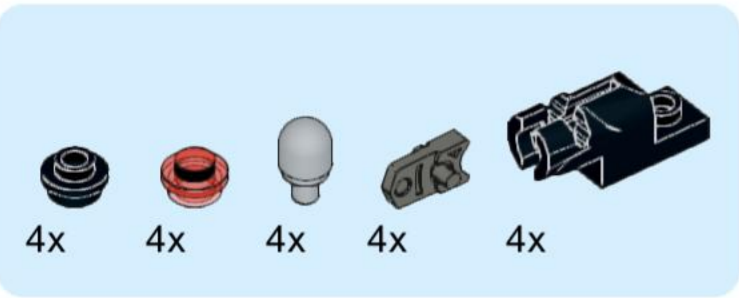


100

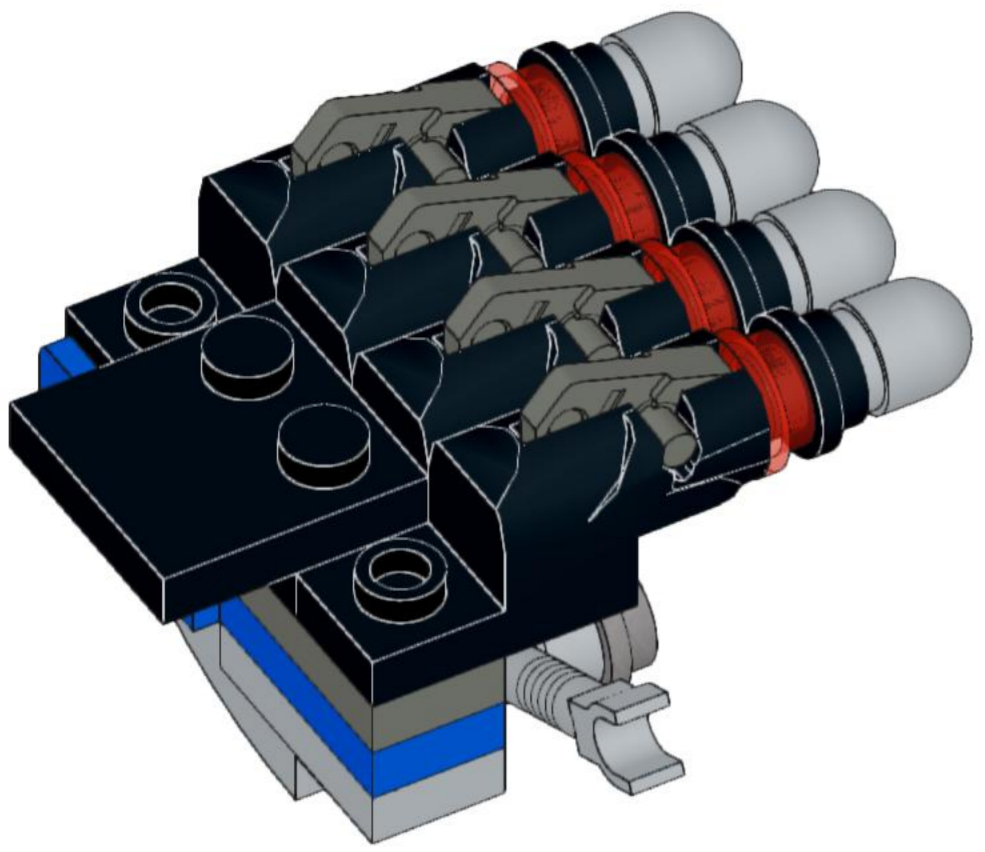
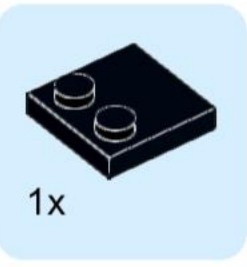


101

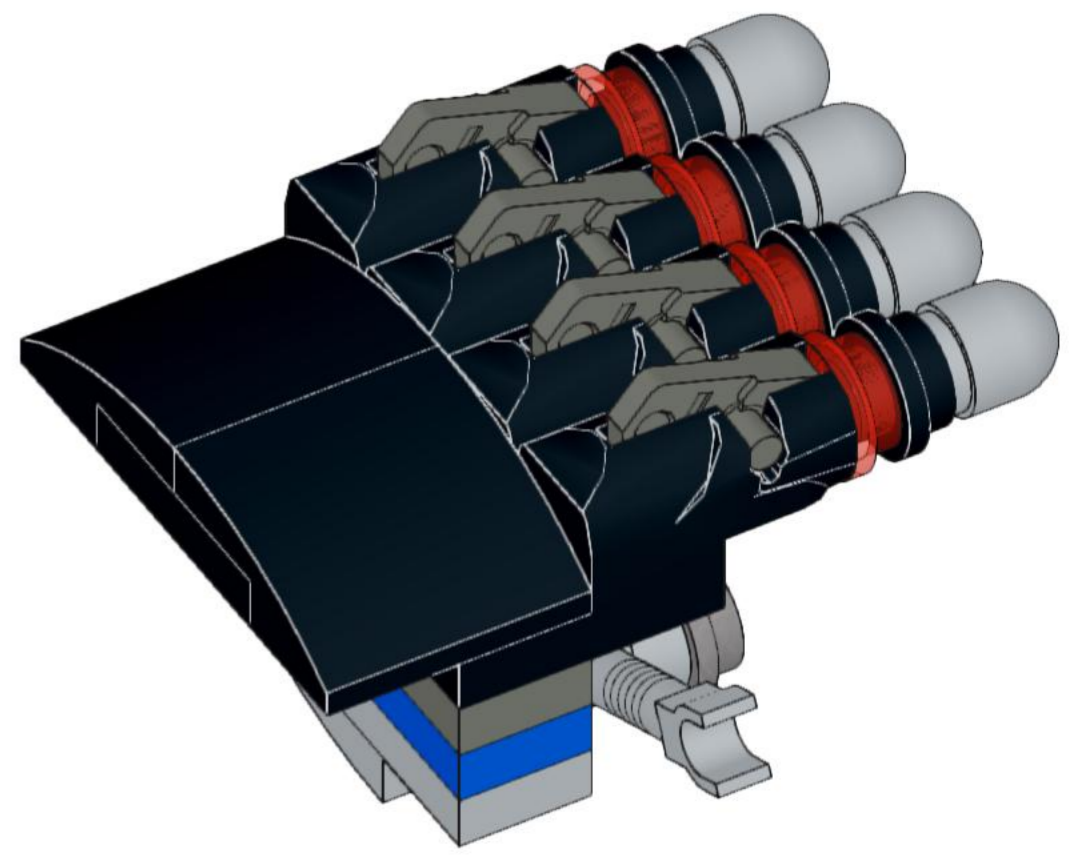


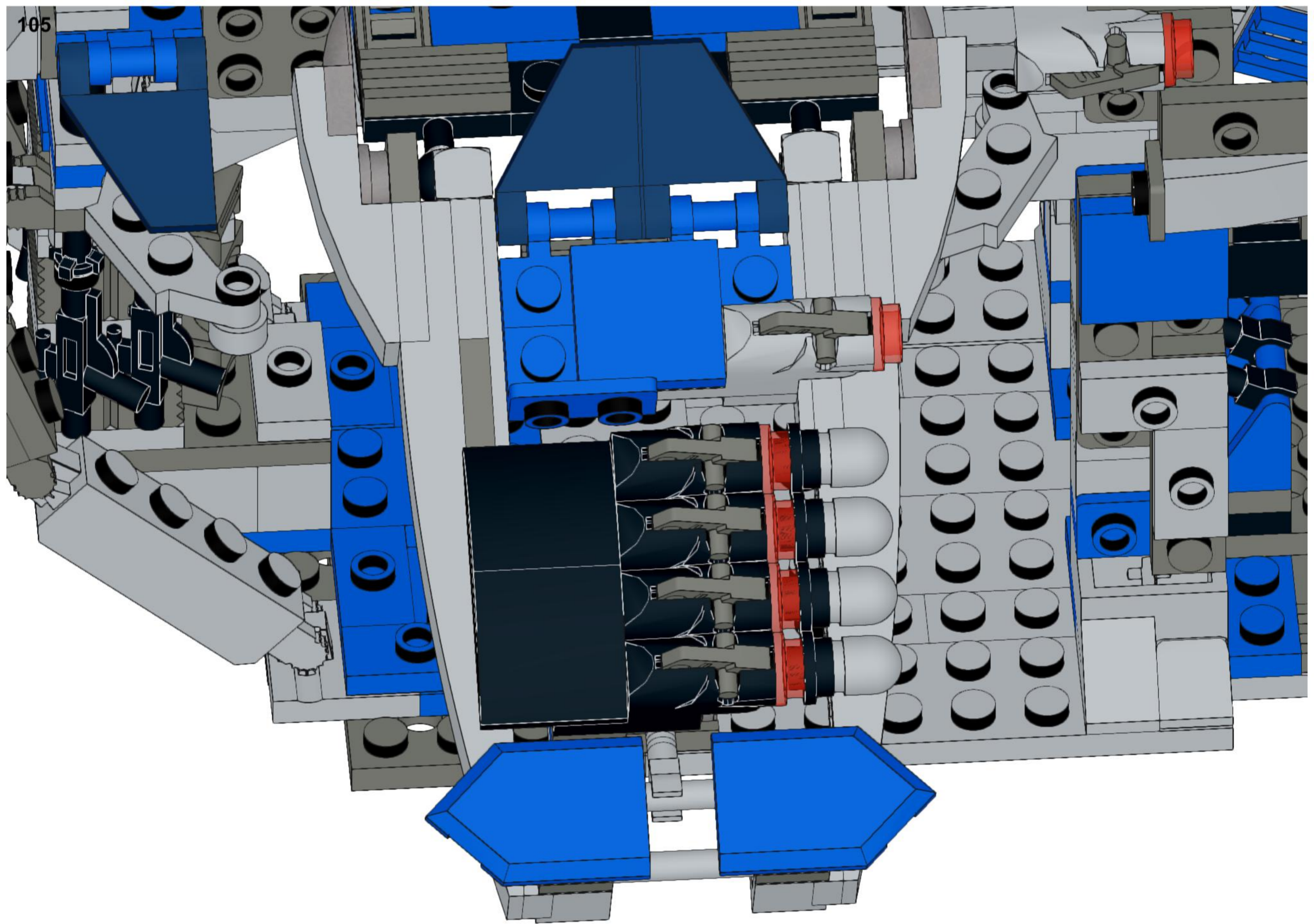


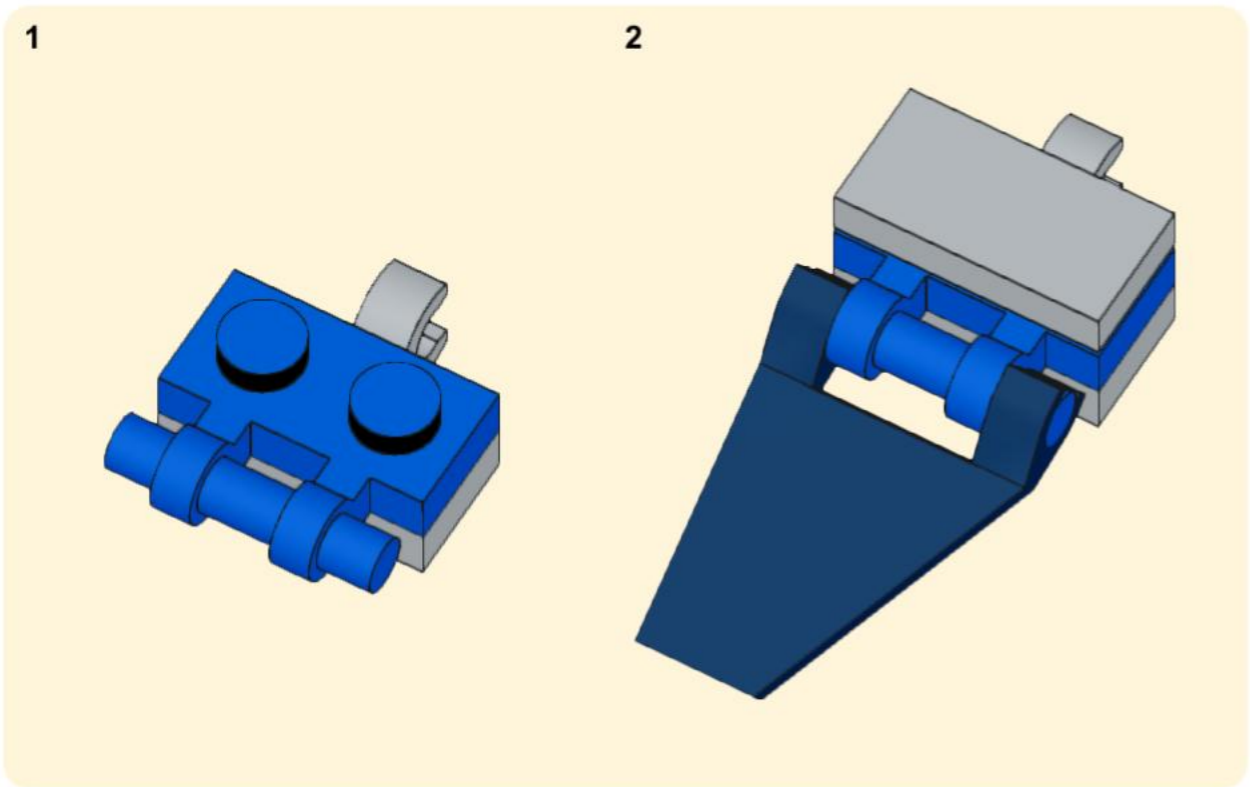
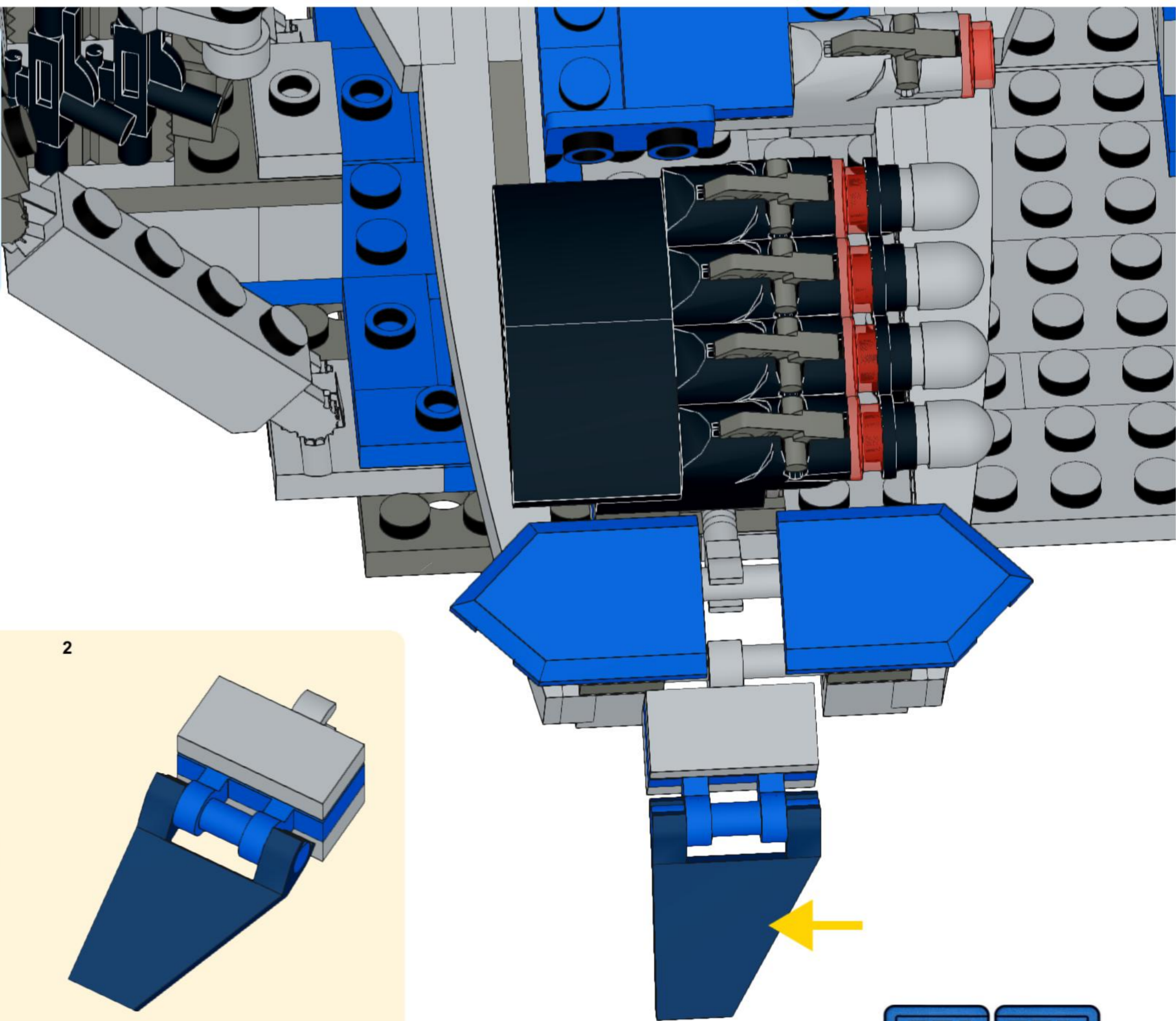
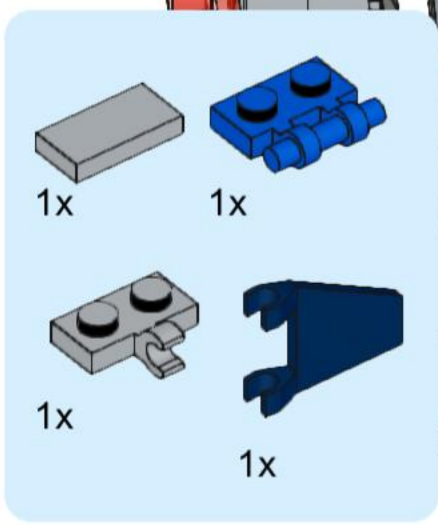
103



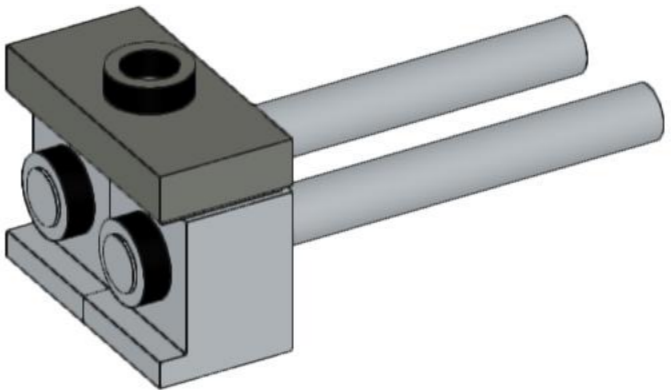
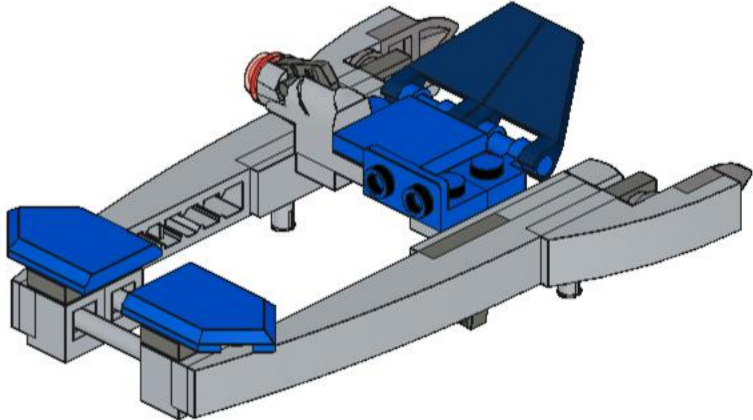
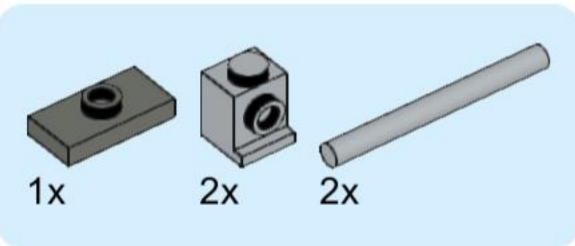
104



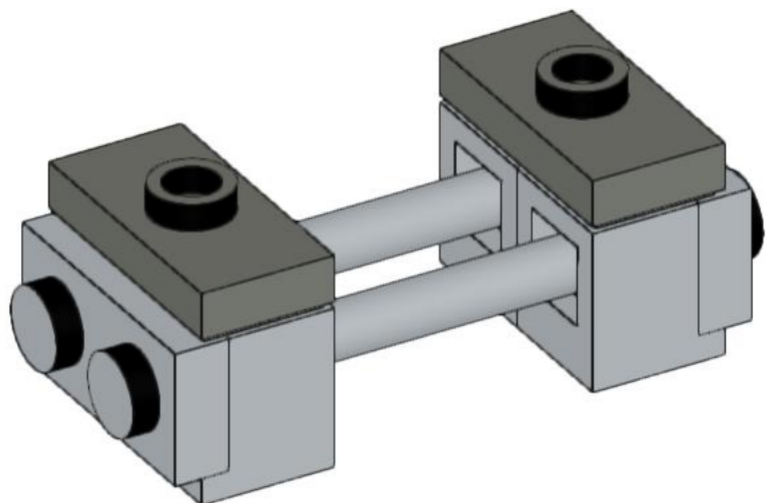
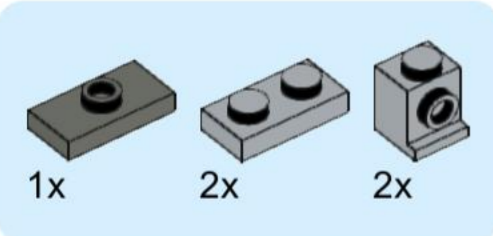




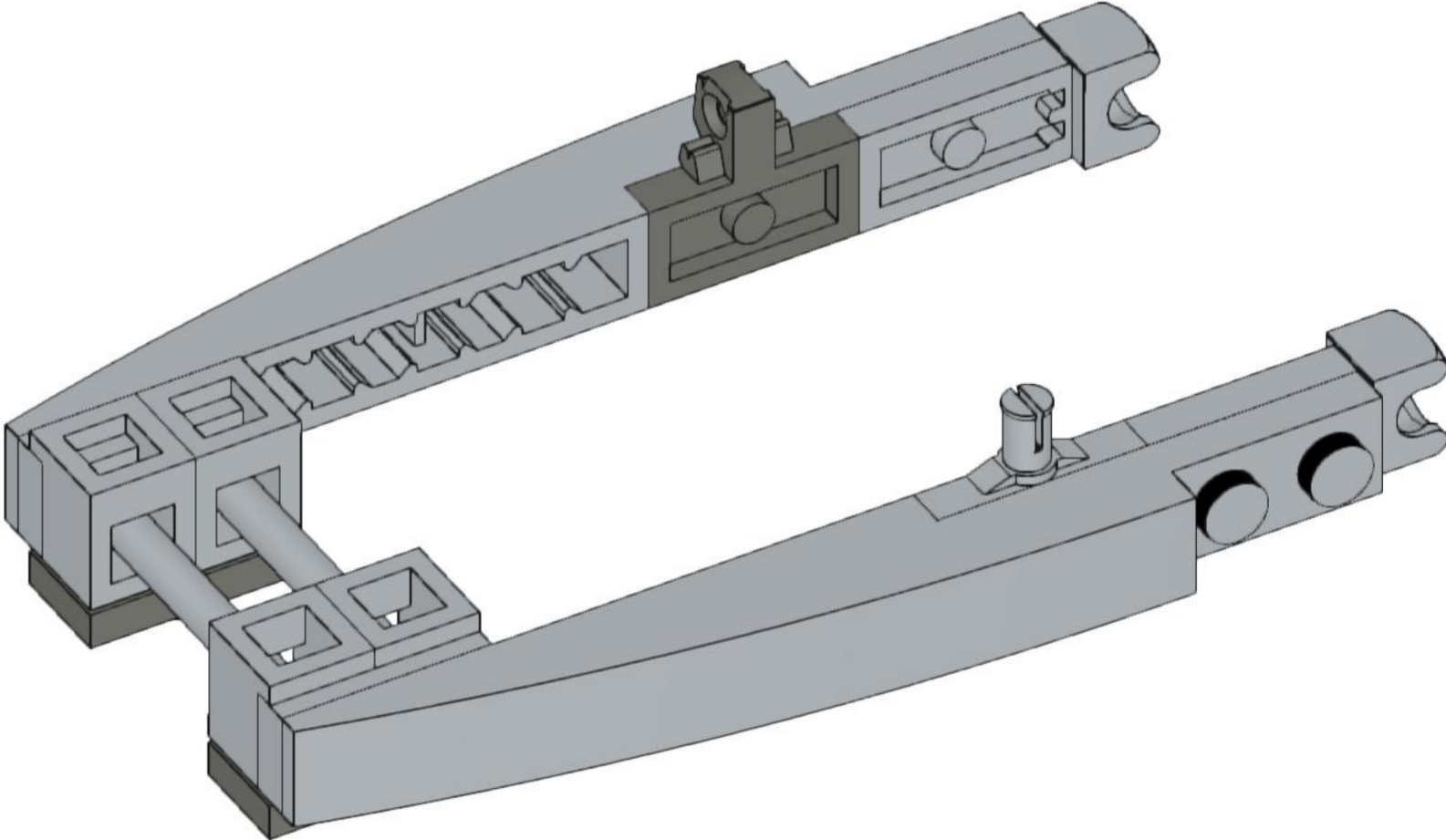
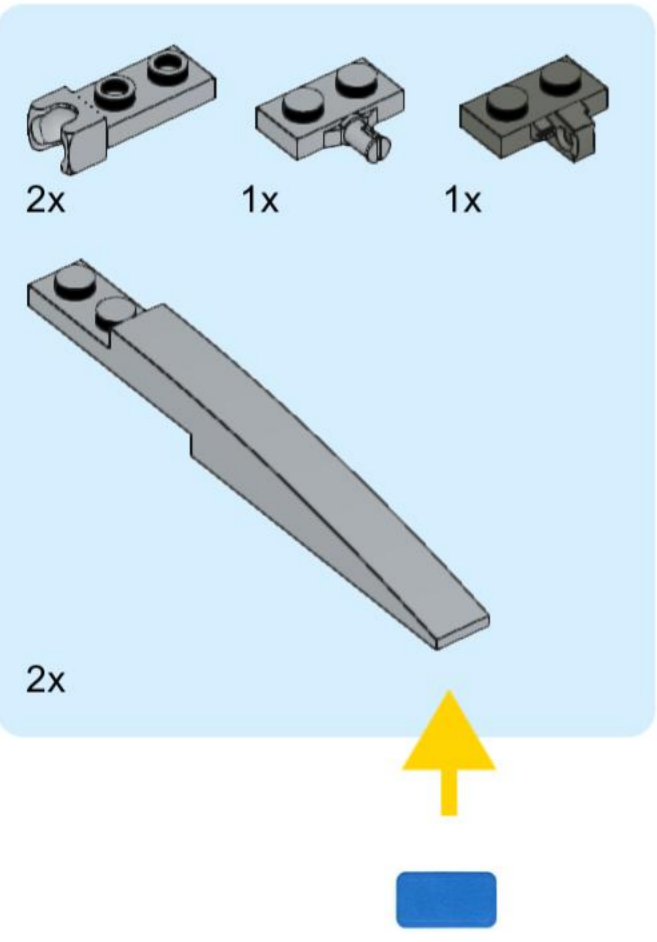
107



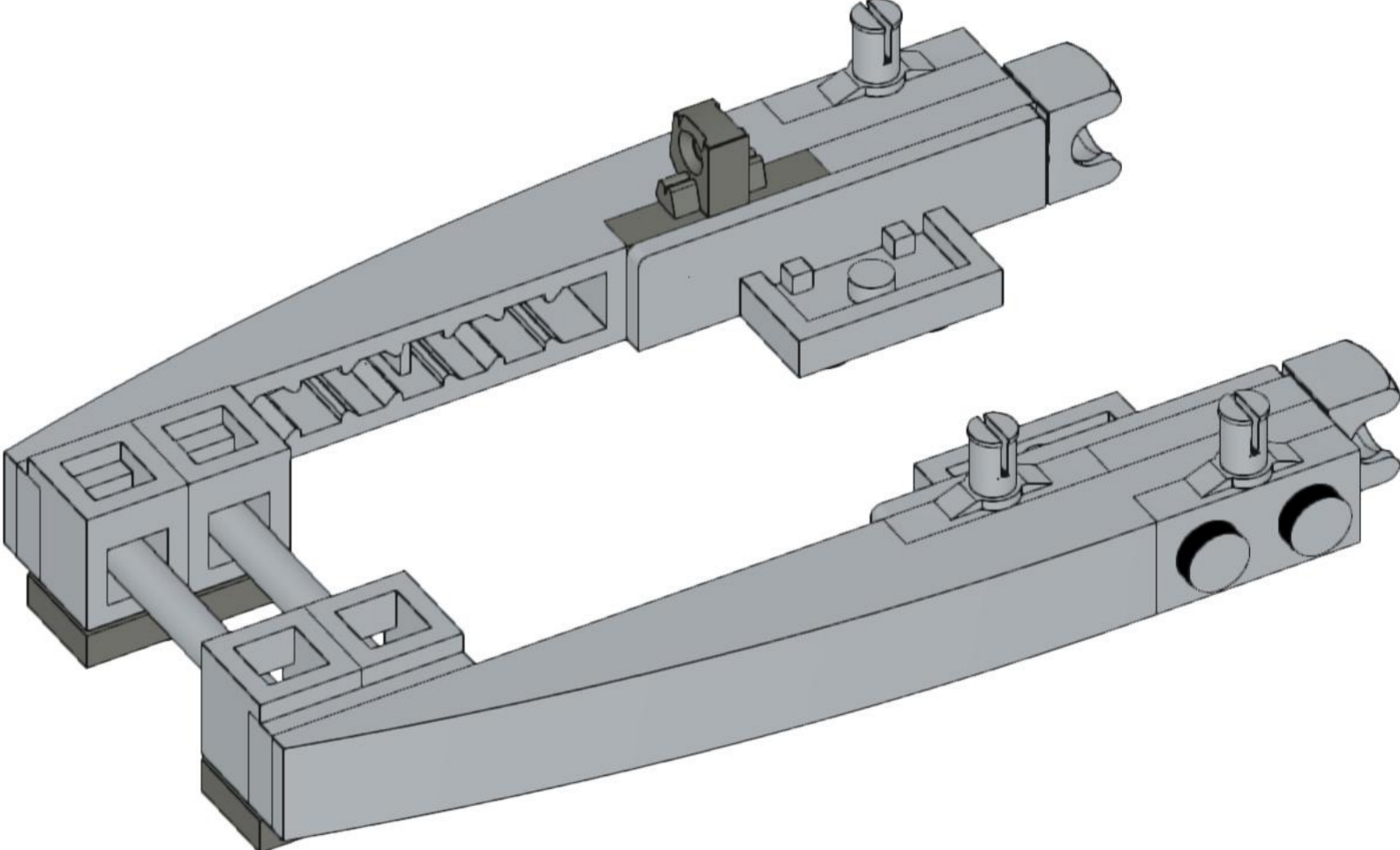
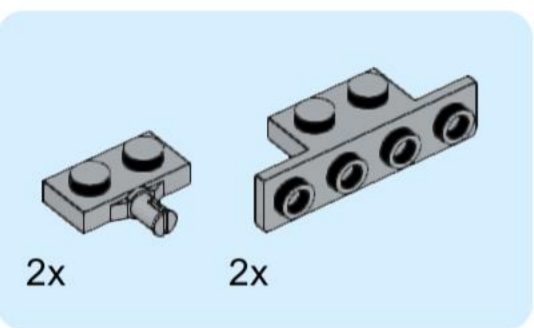
108



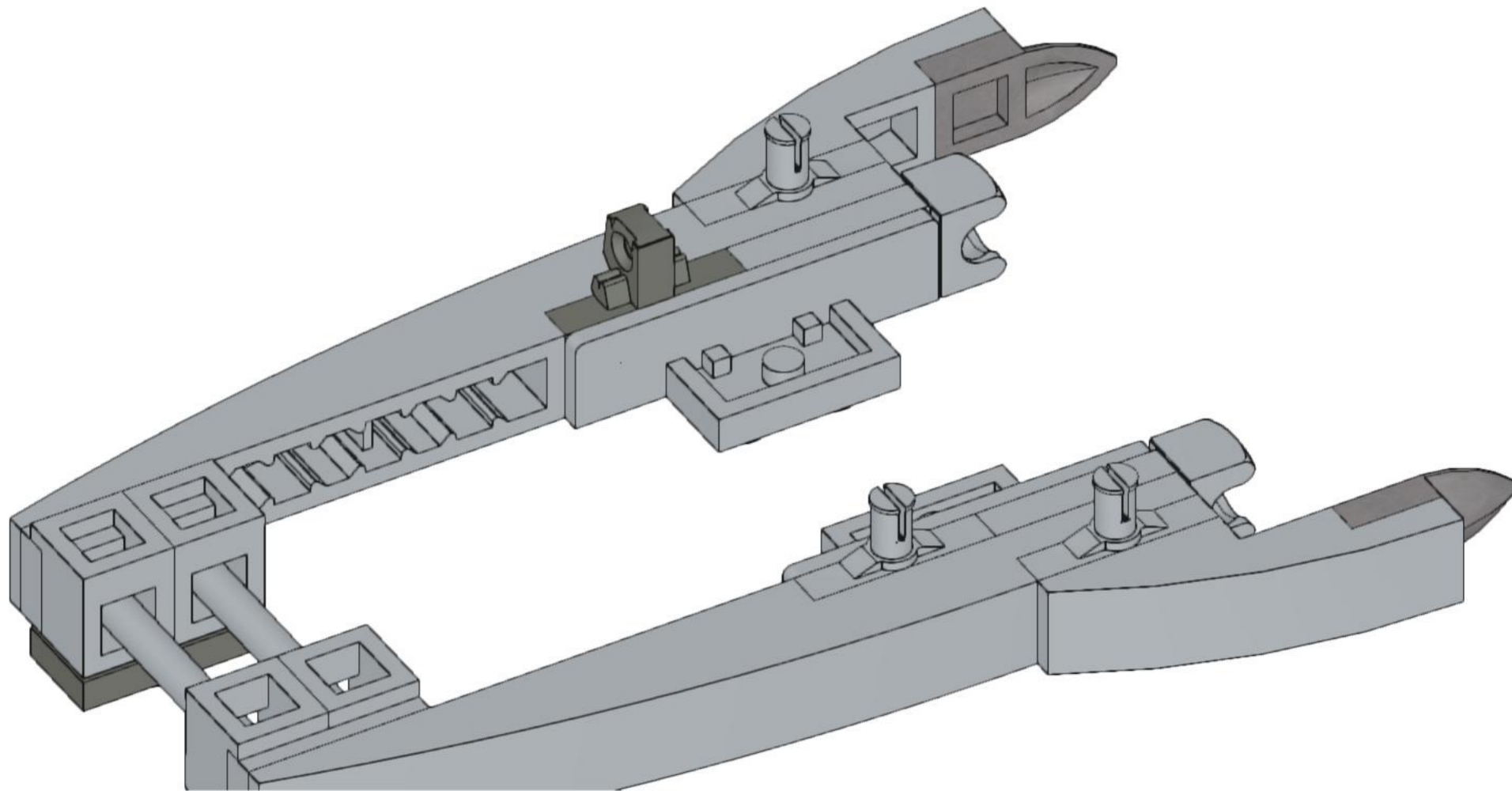
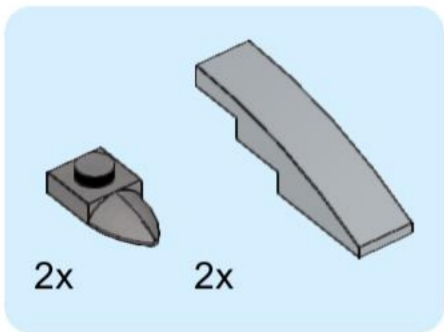
109



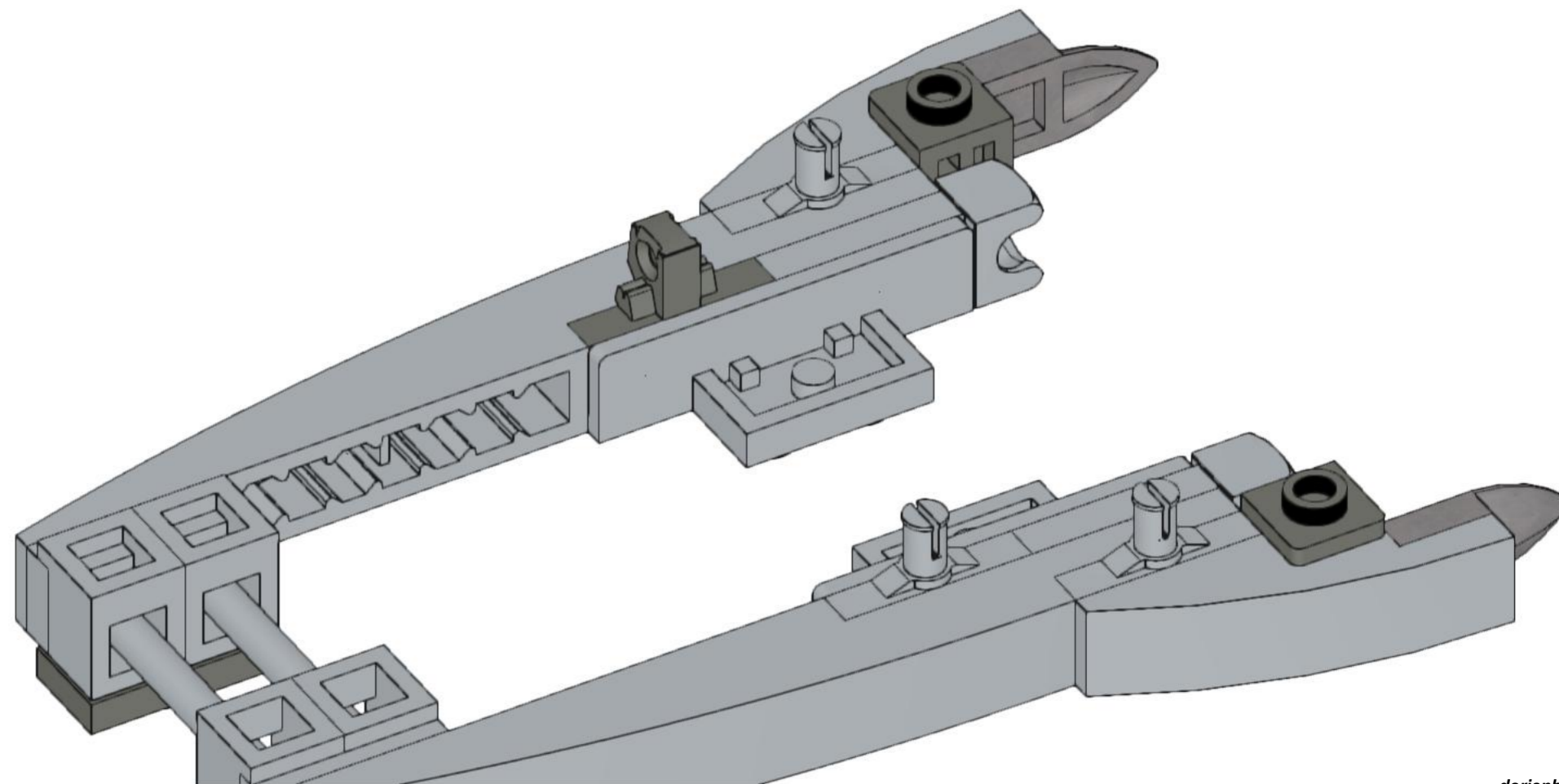
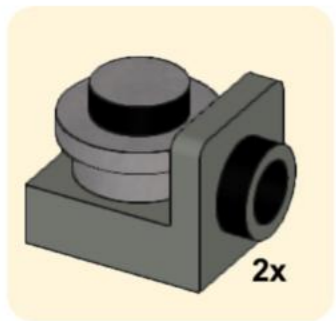
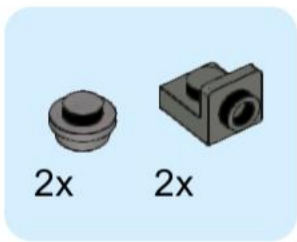
110



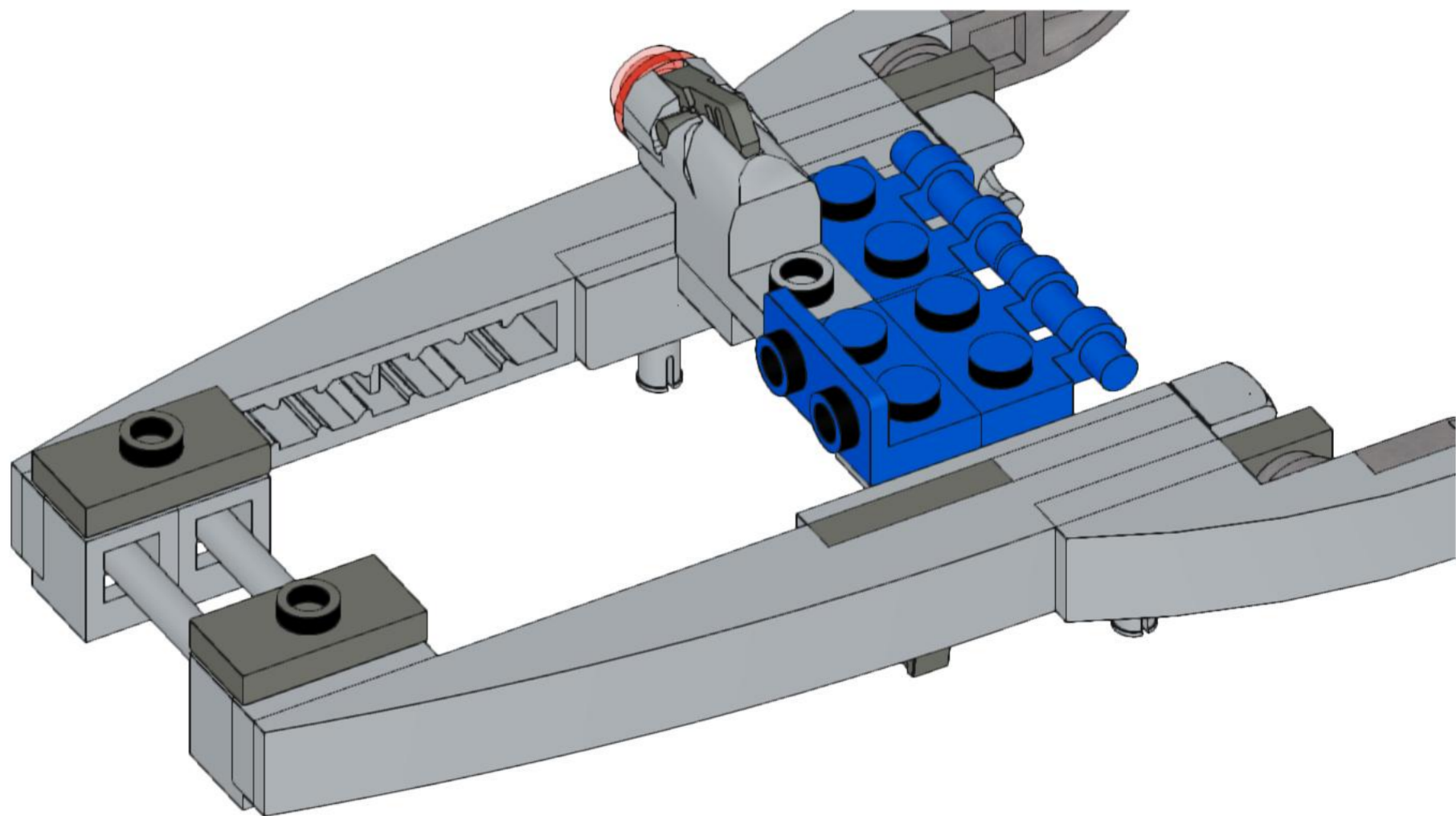
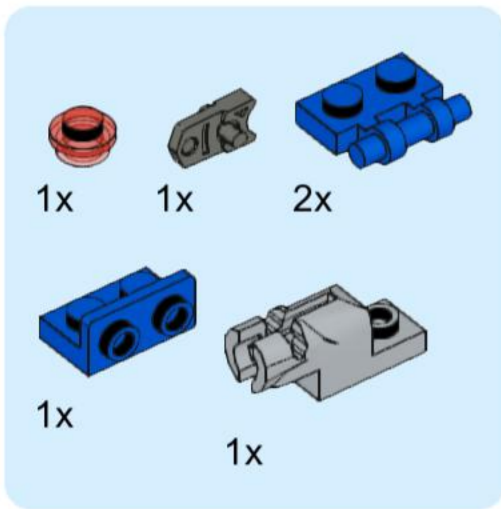
111



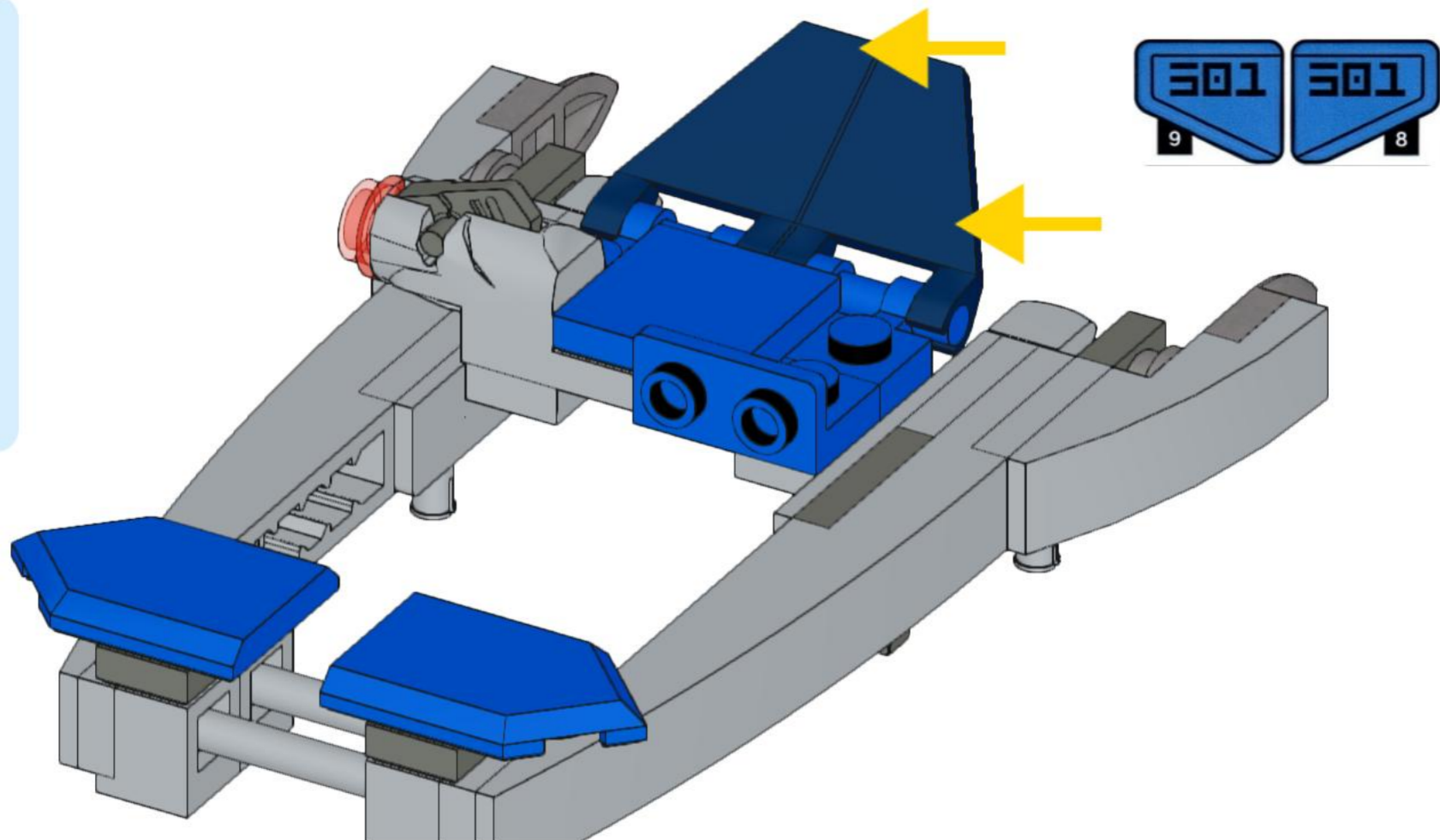
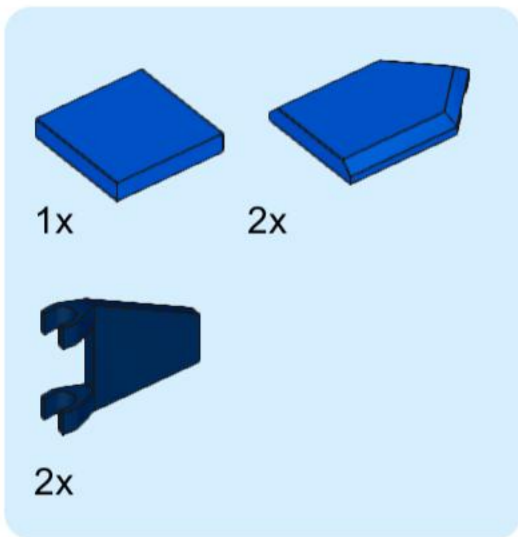
112

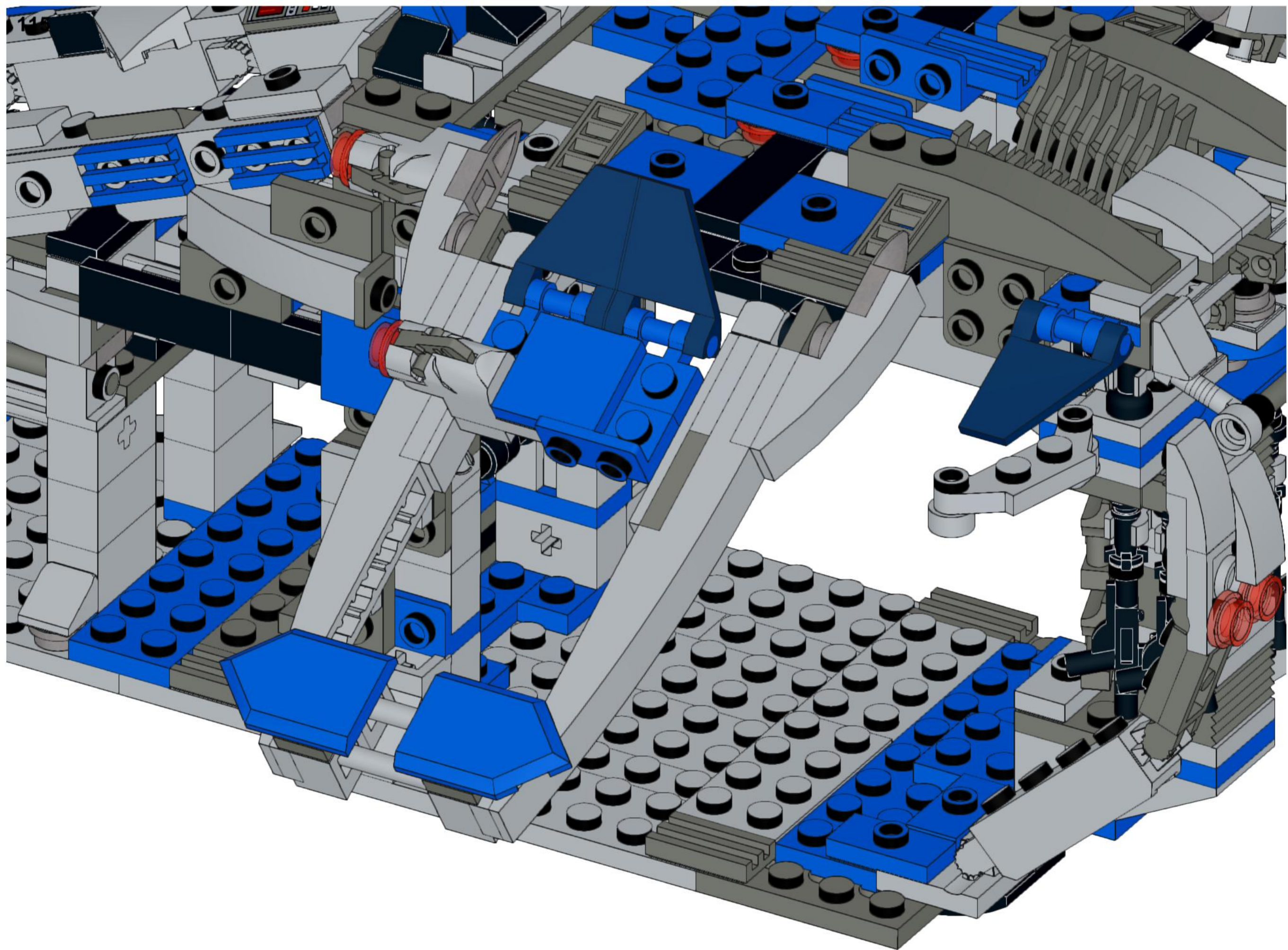


113

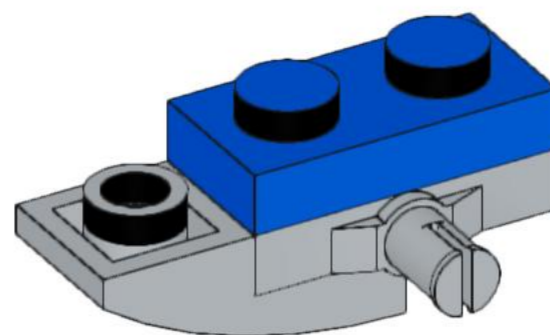
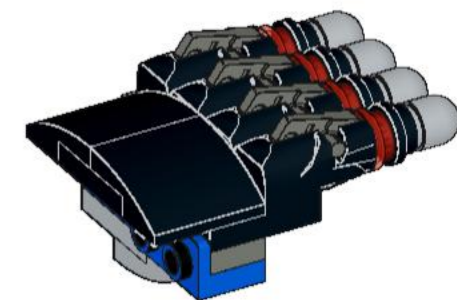
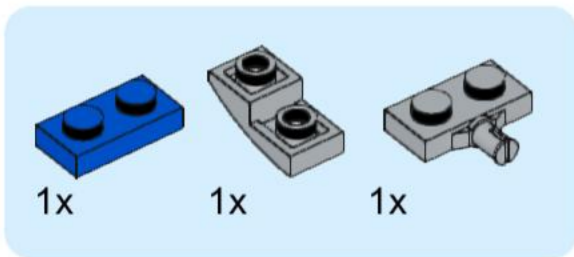


114

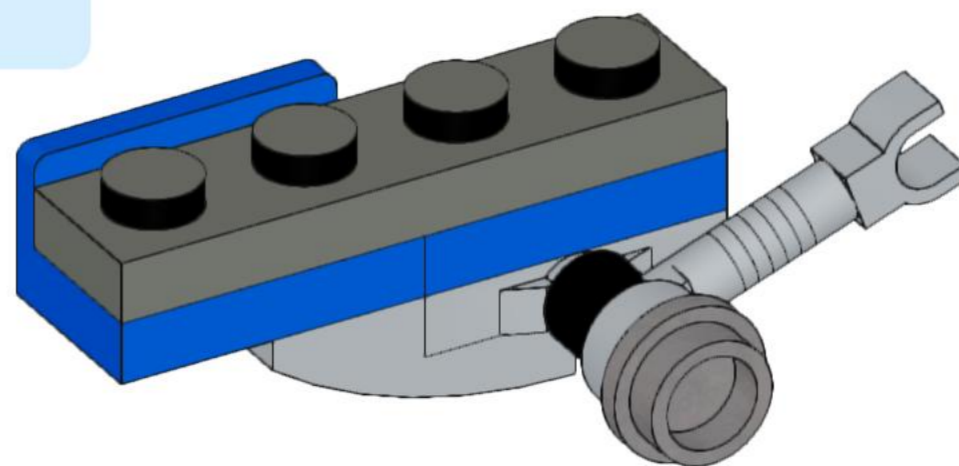
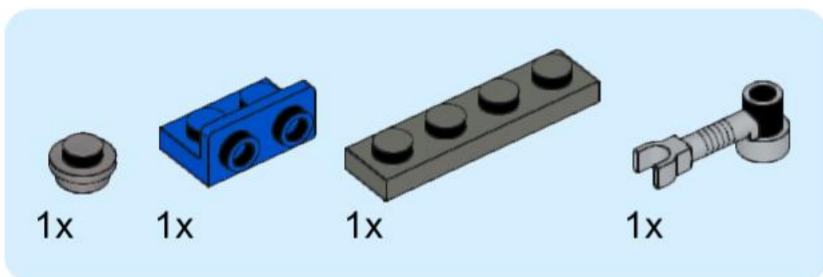


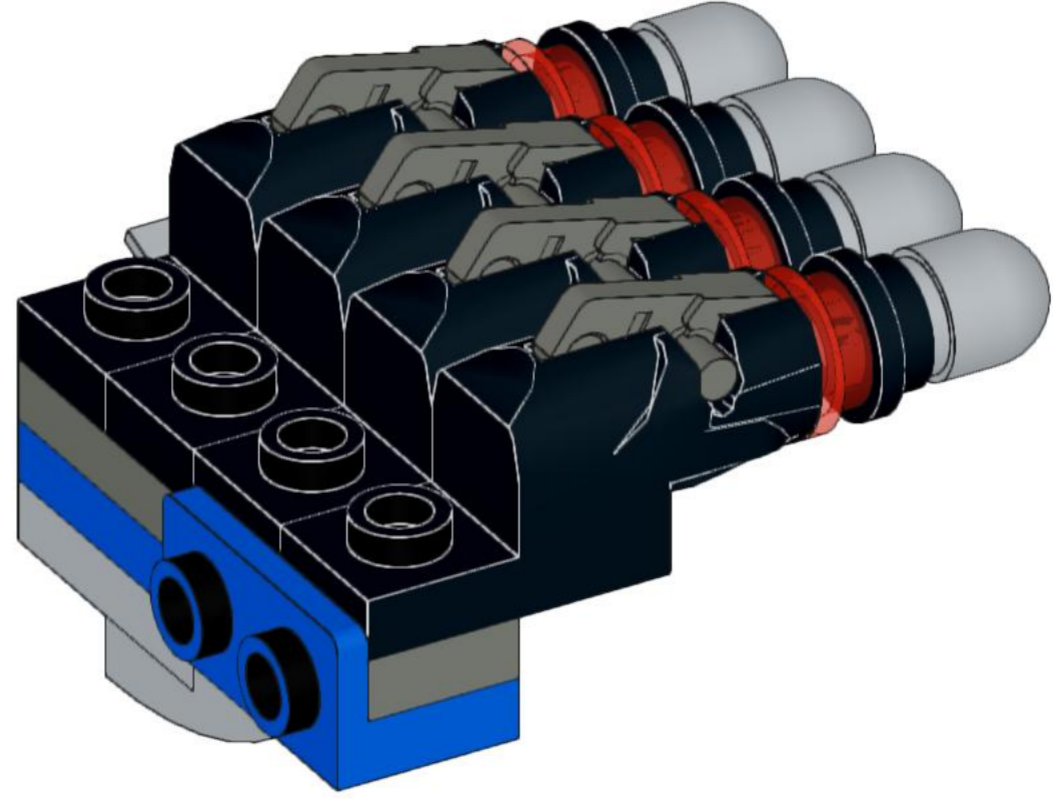
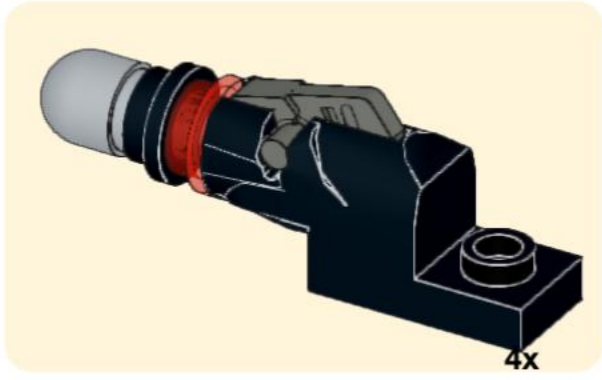
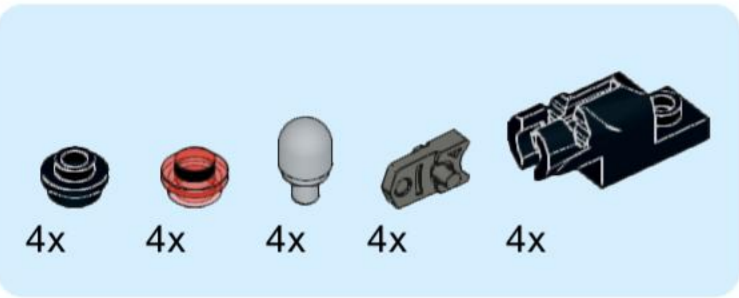


116

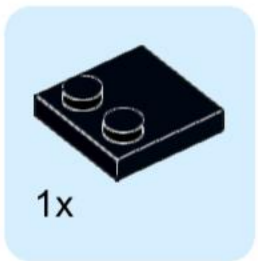


117

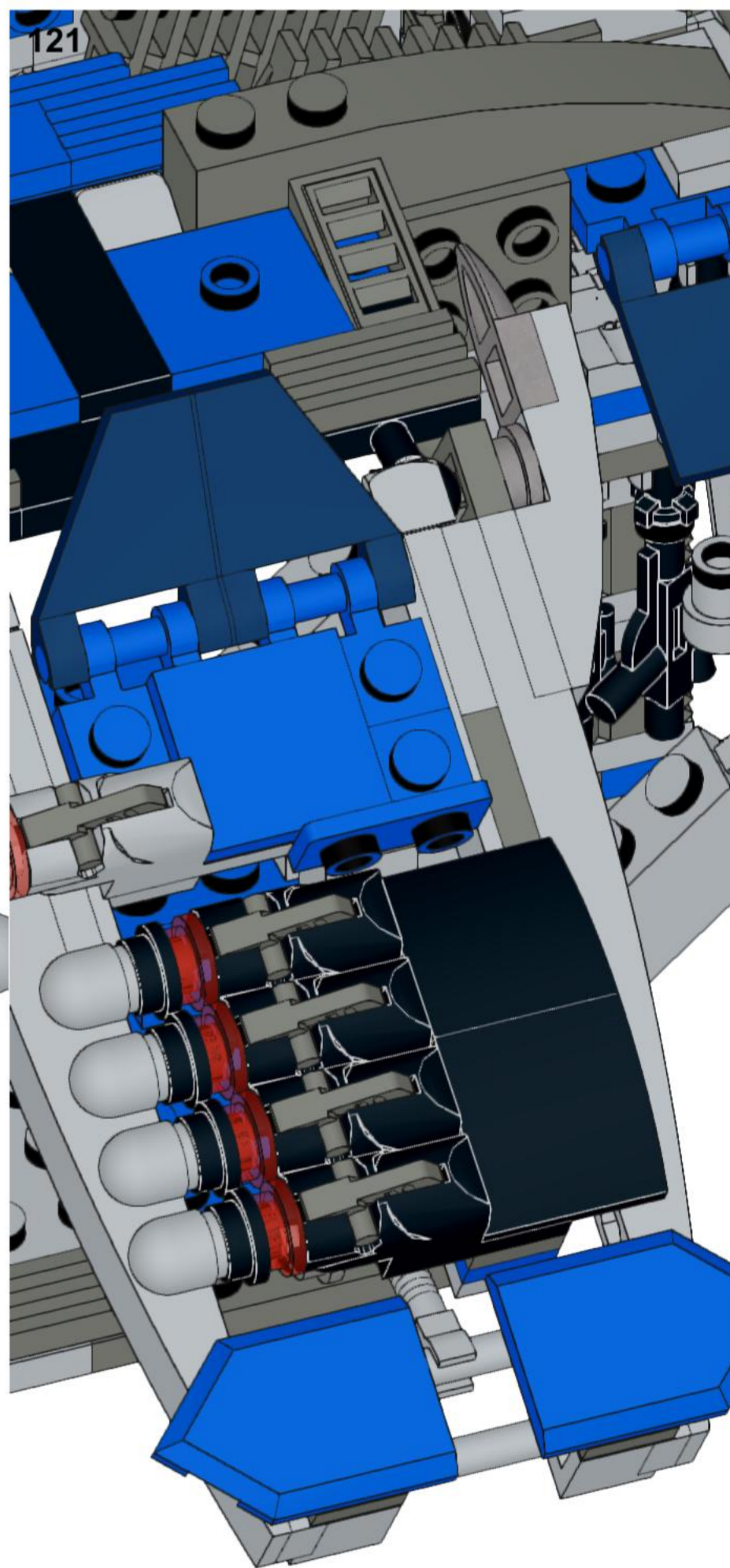
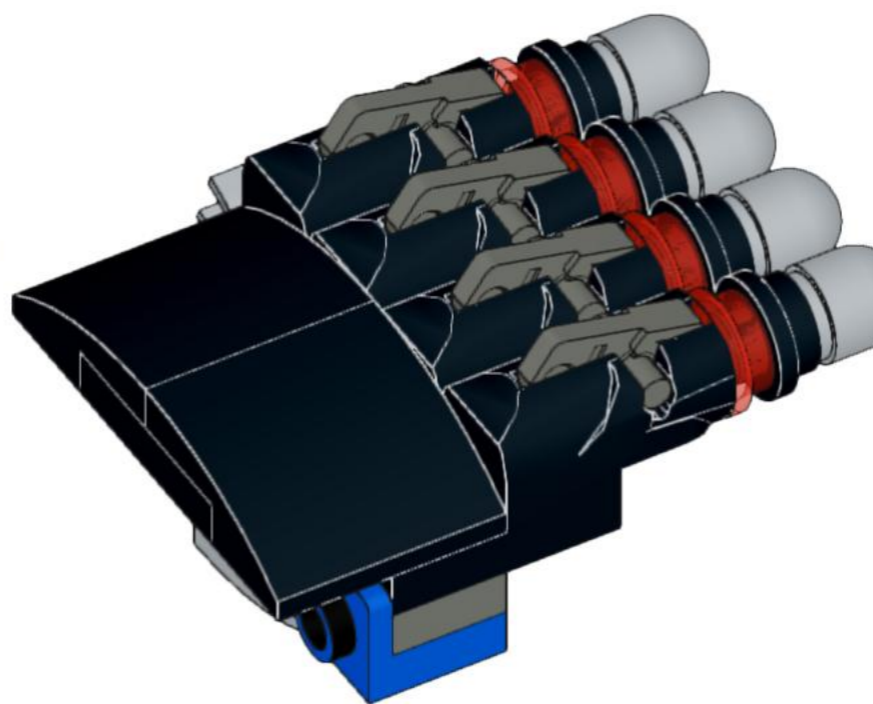
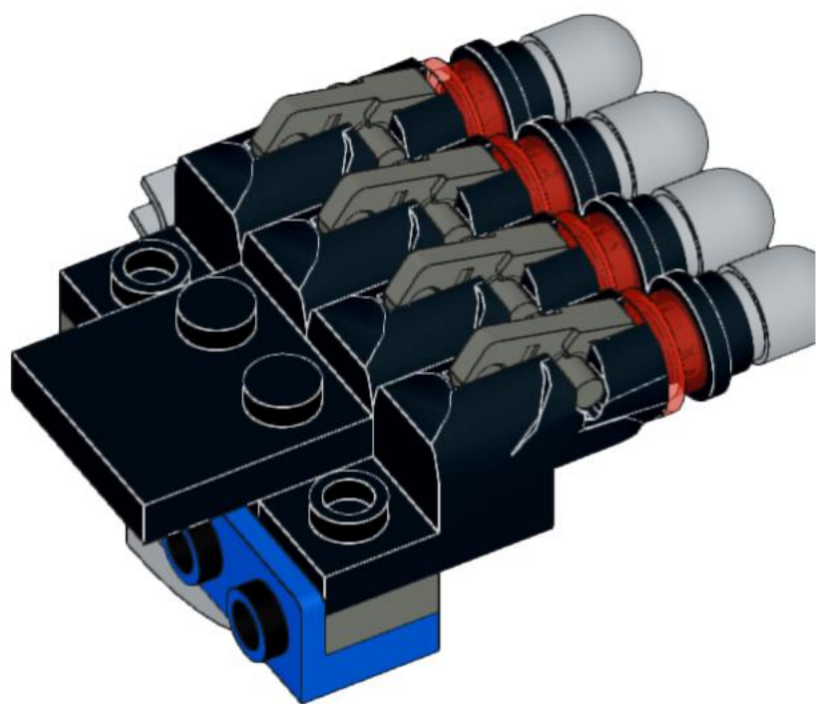




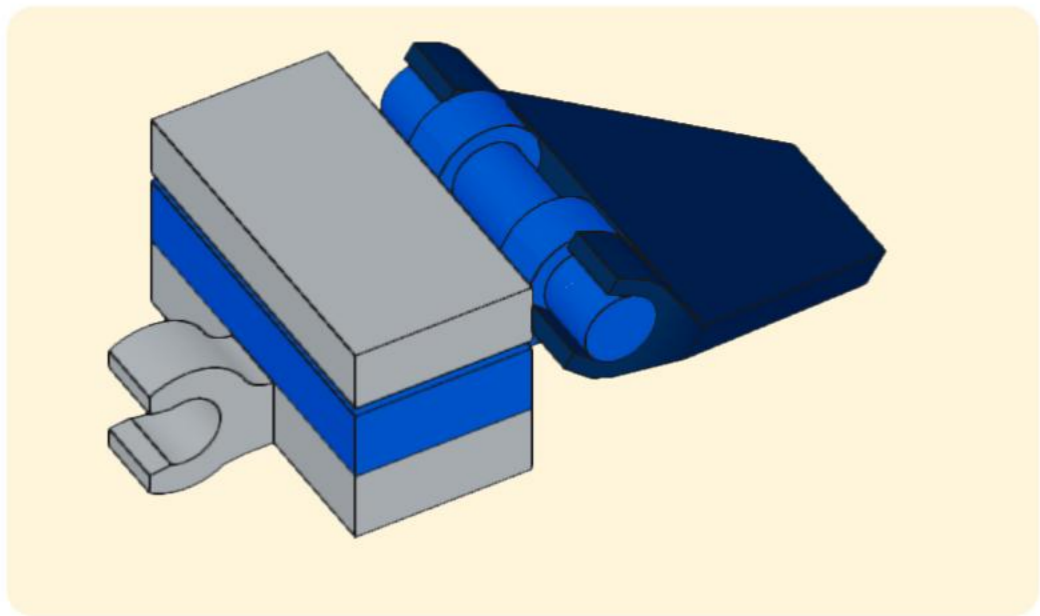
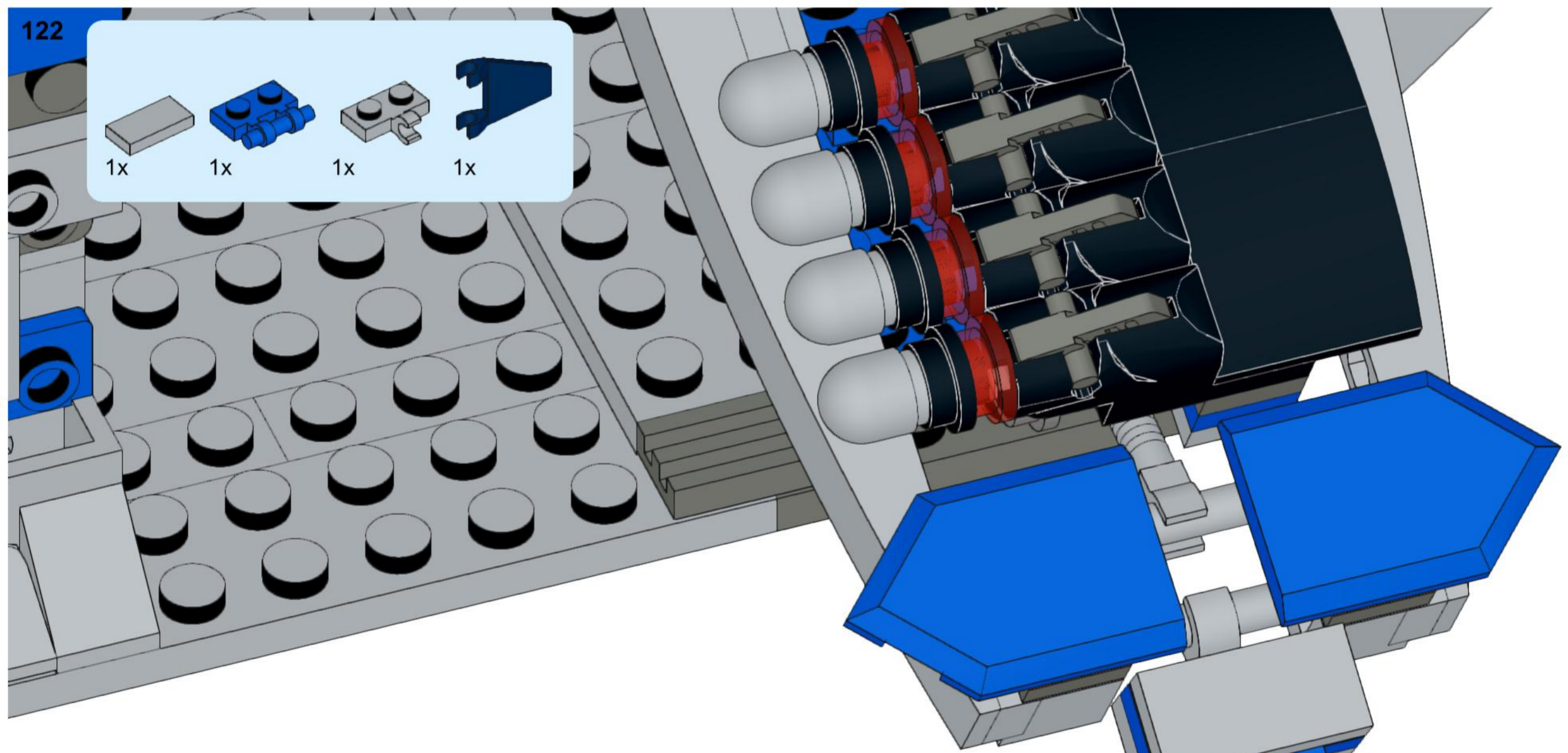
119



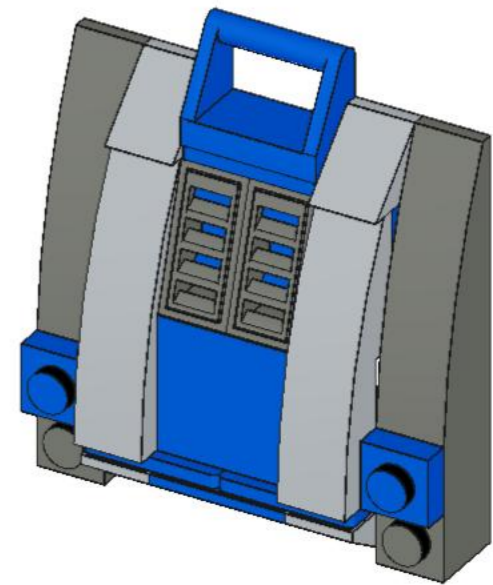
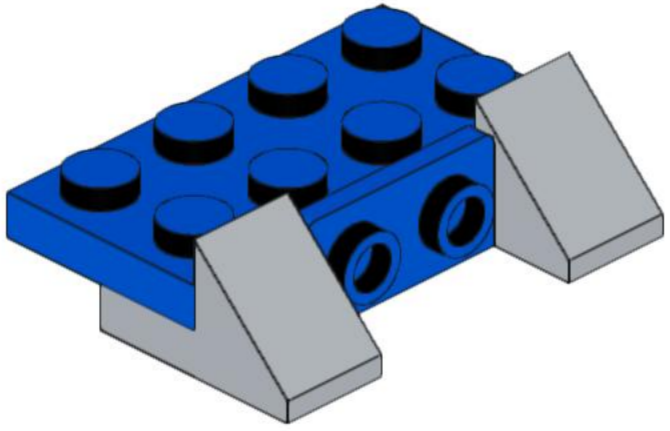
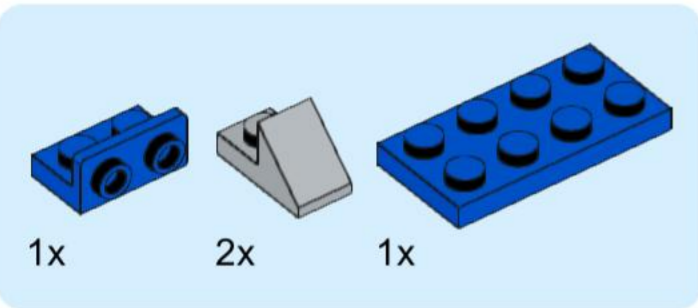
120



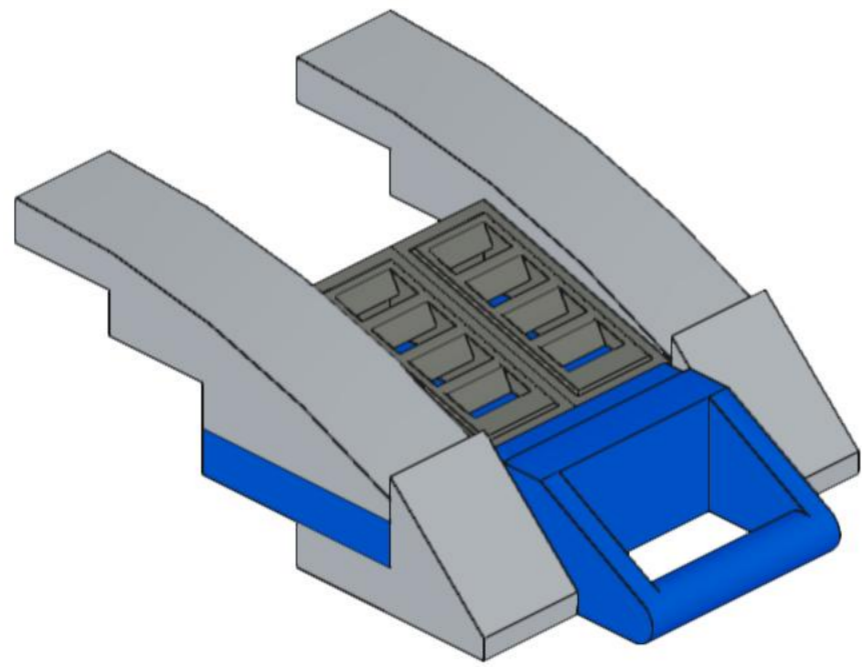
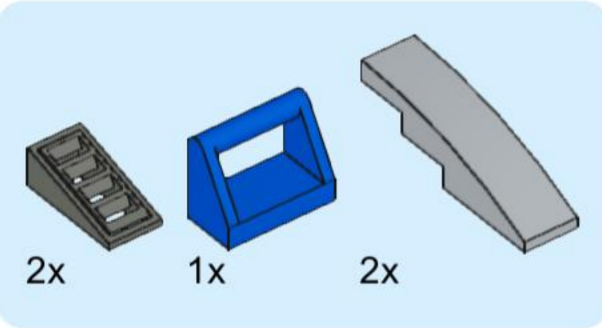
1x 1x 1x 1x

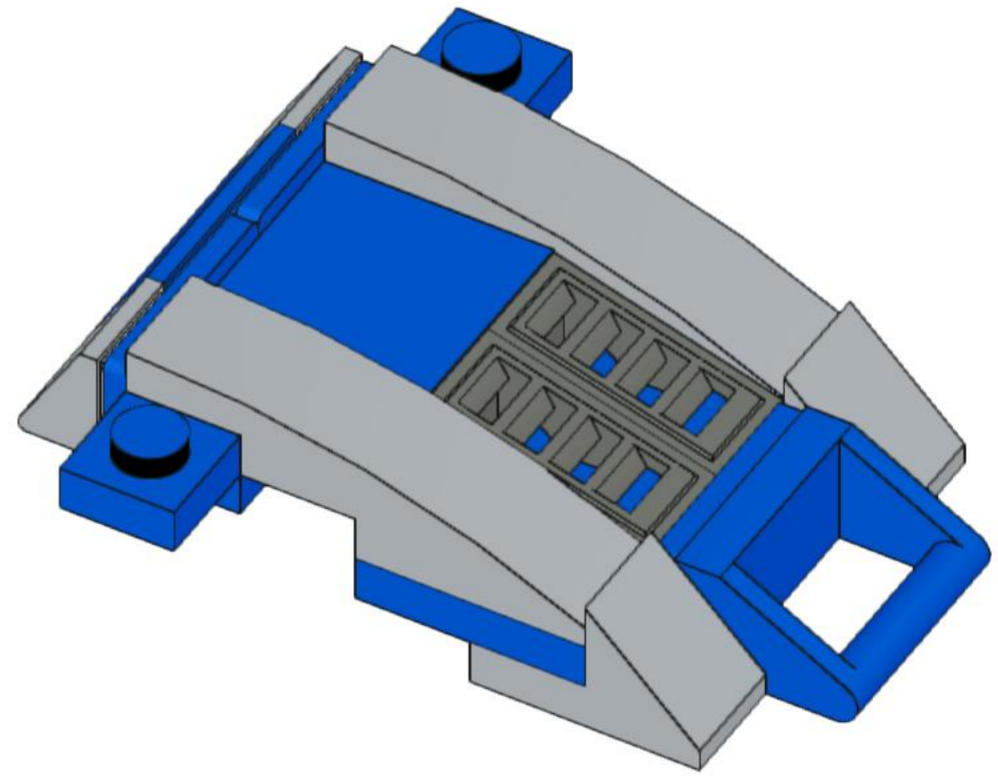
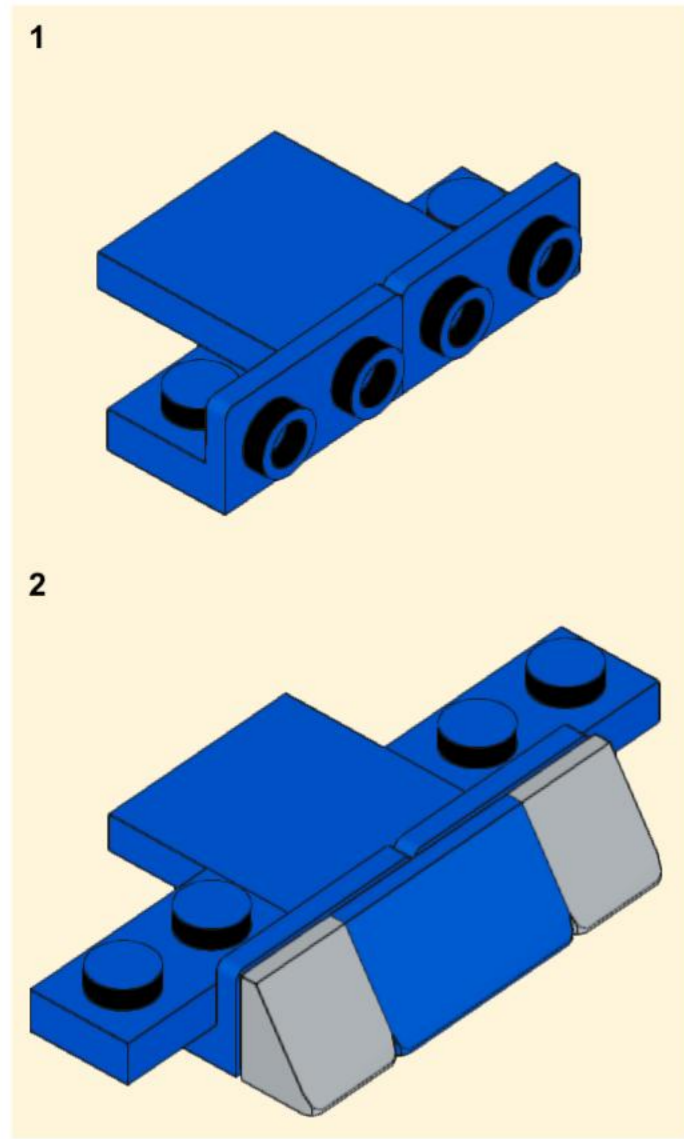
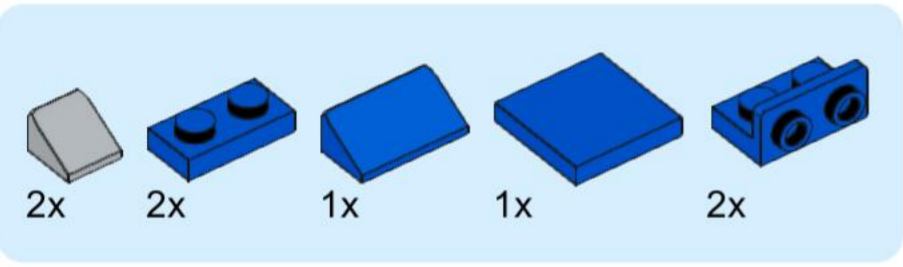


123

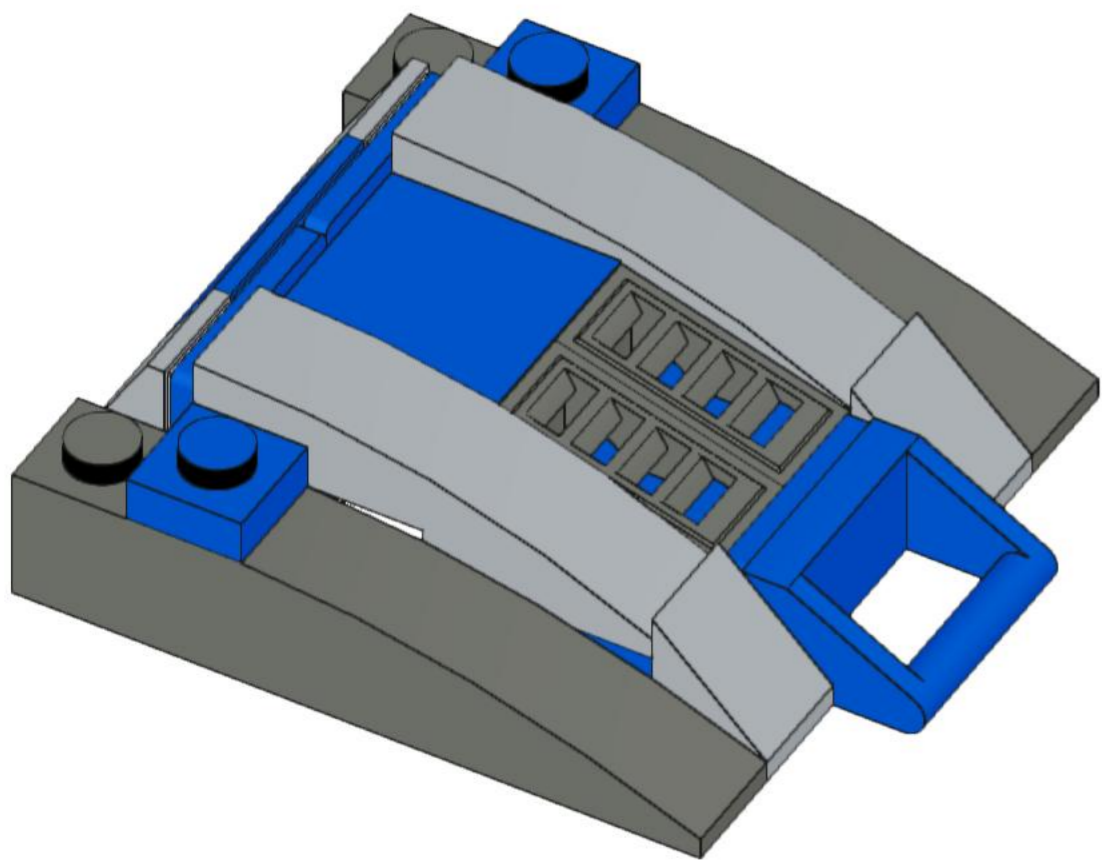
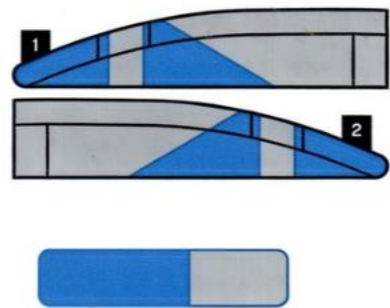
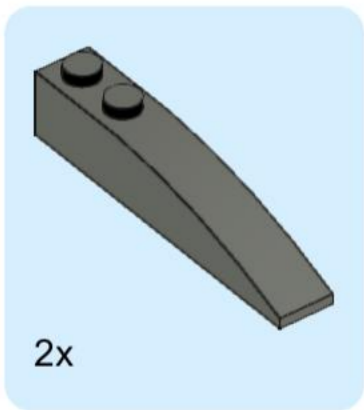


124

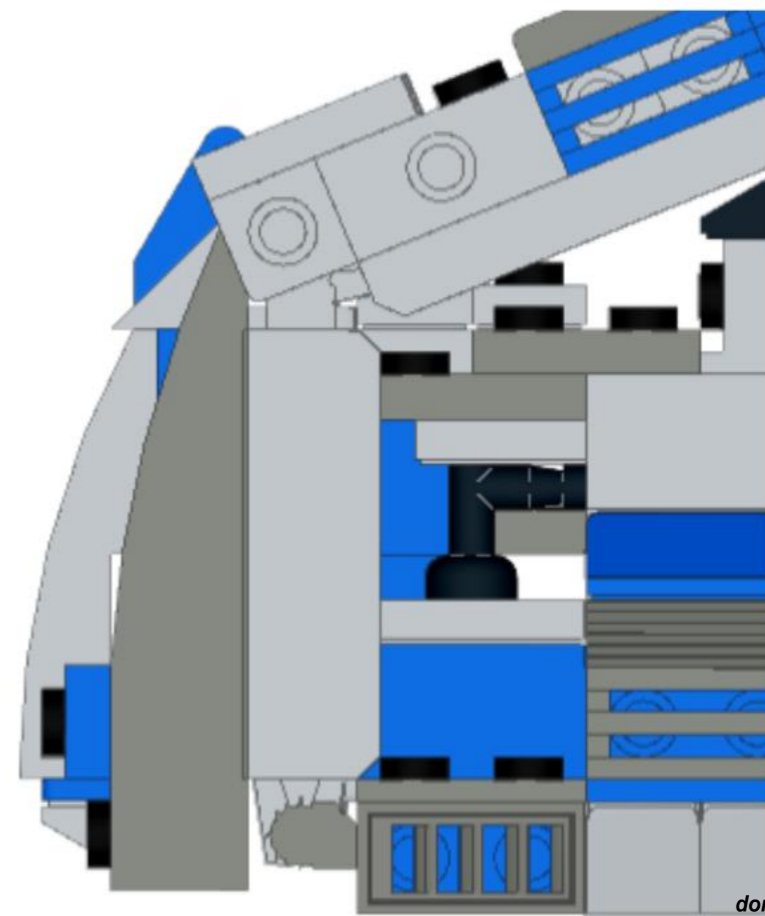
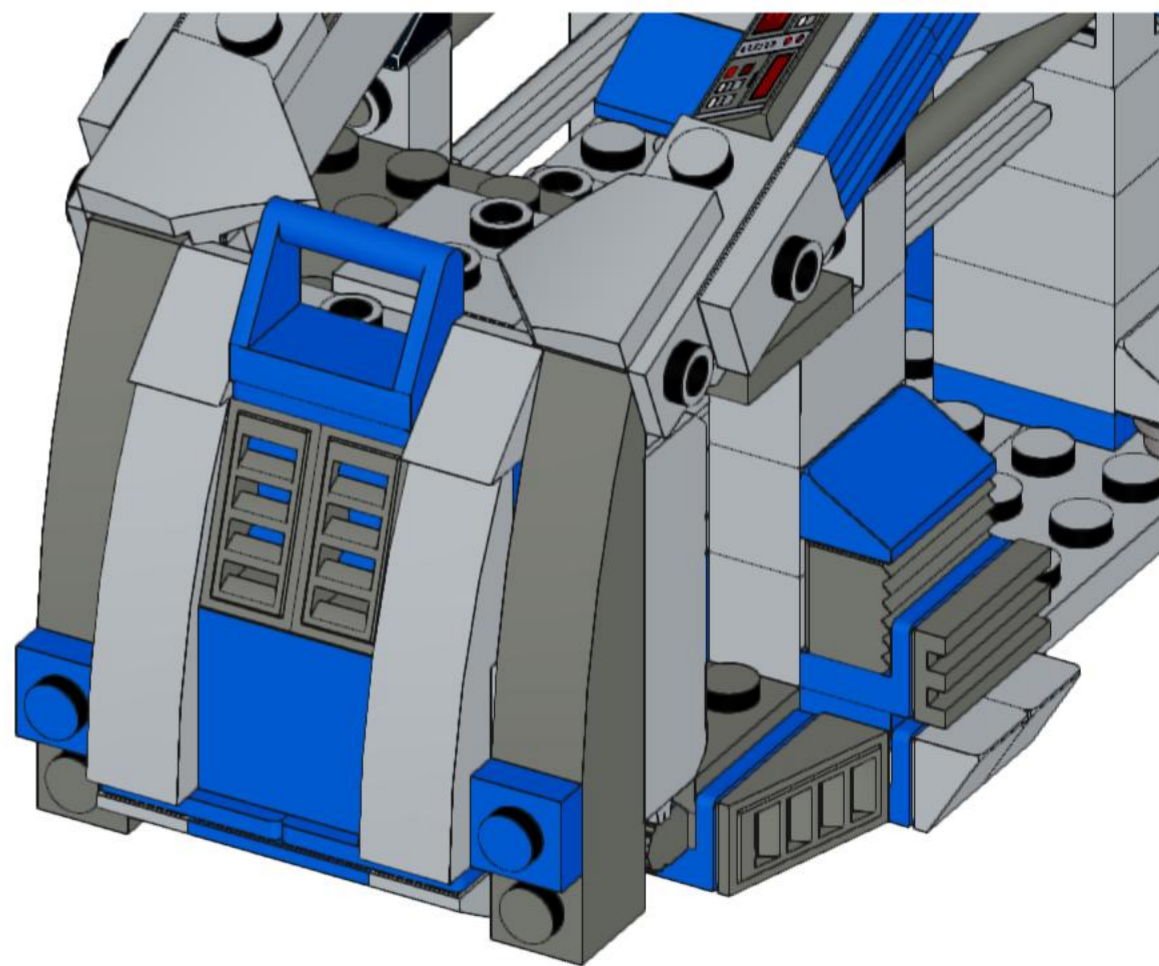




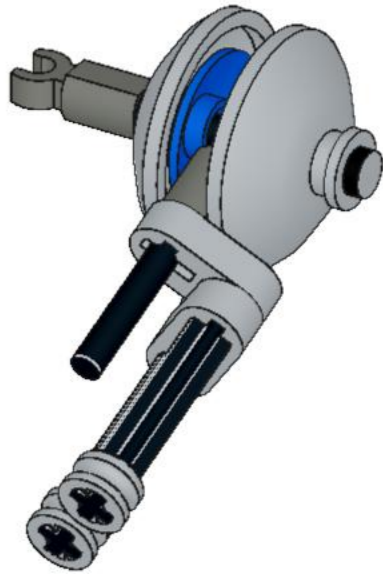
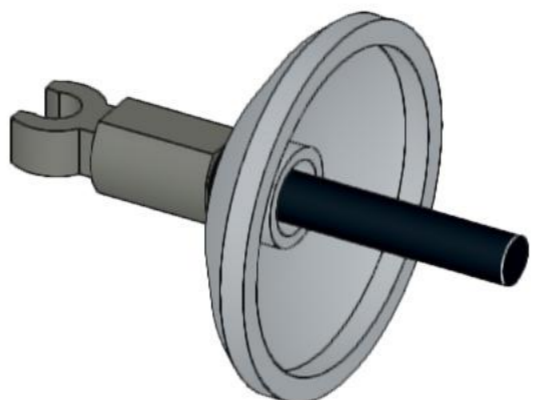
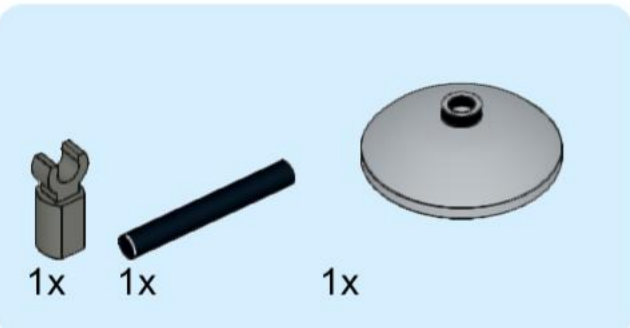
126



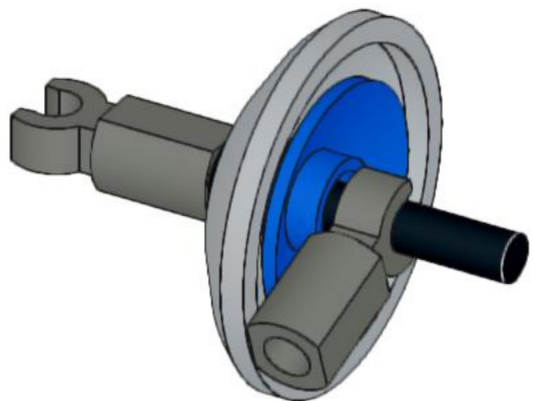
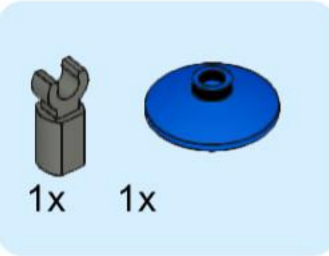
127

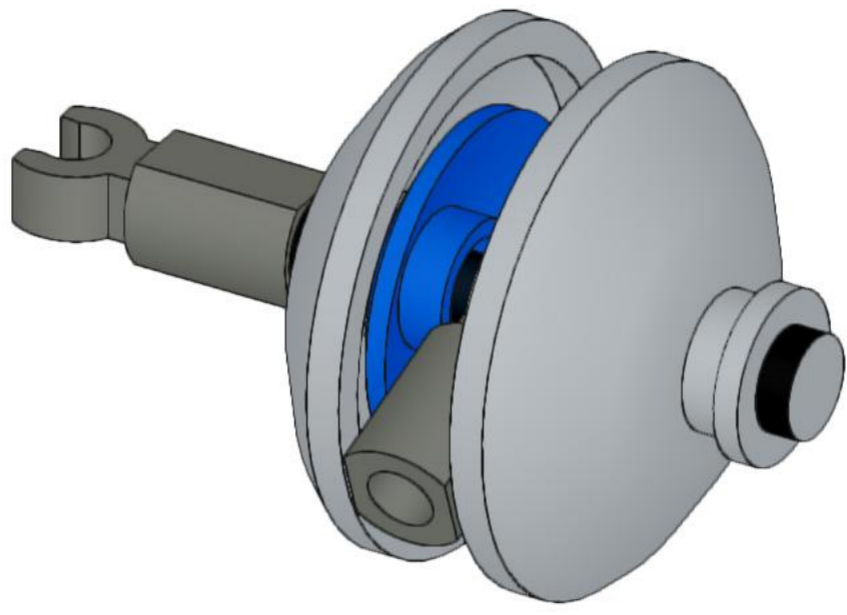
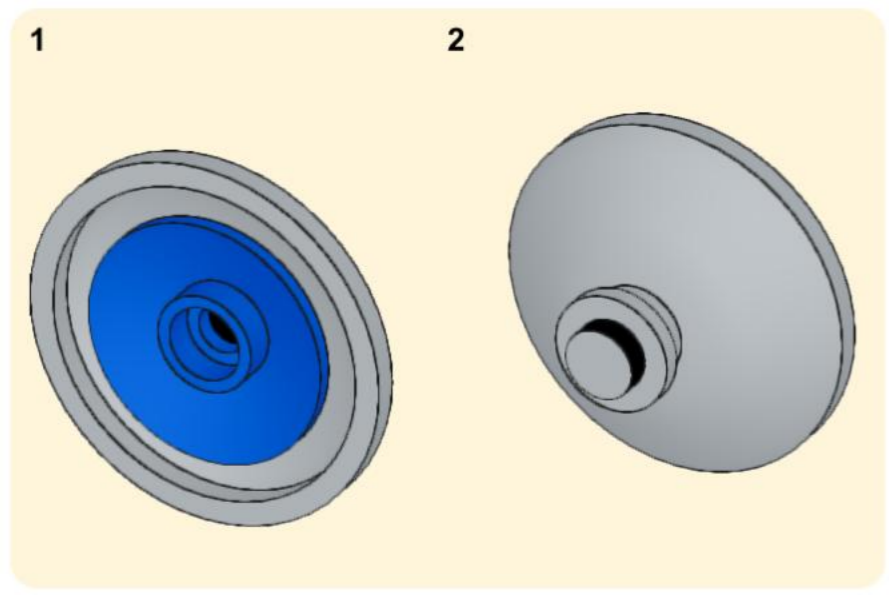
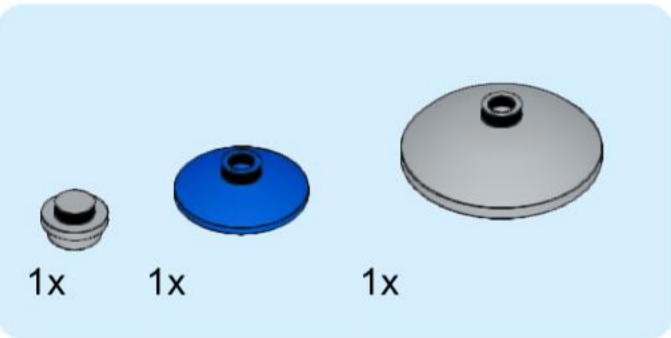


128

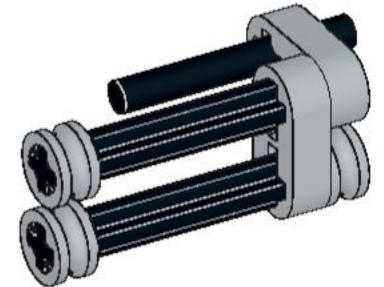
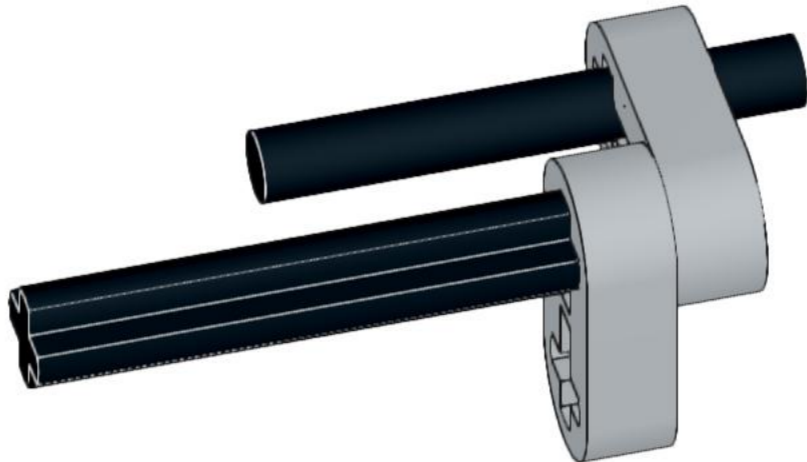
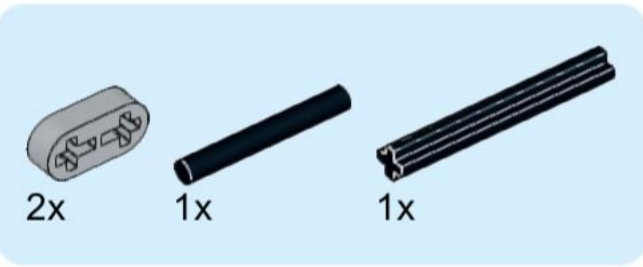


129

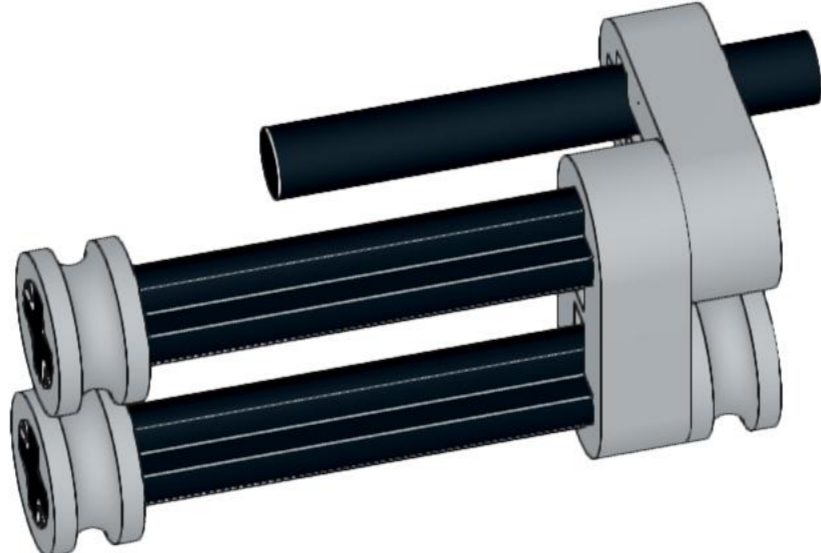
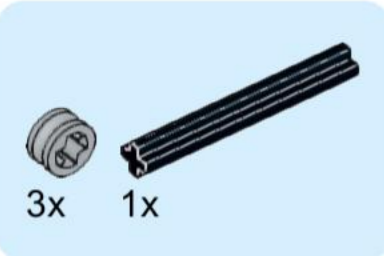


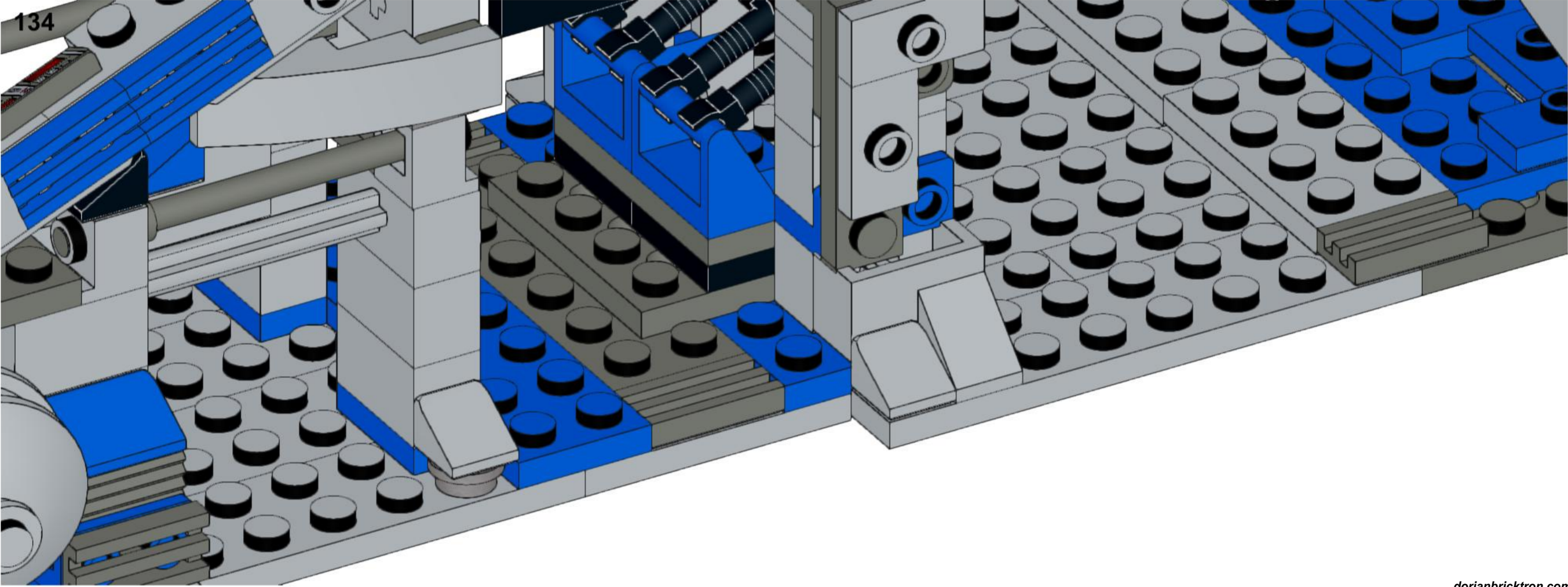
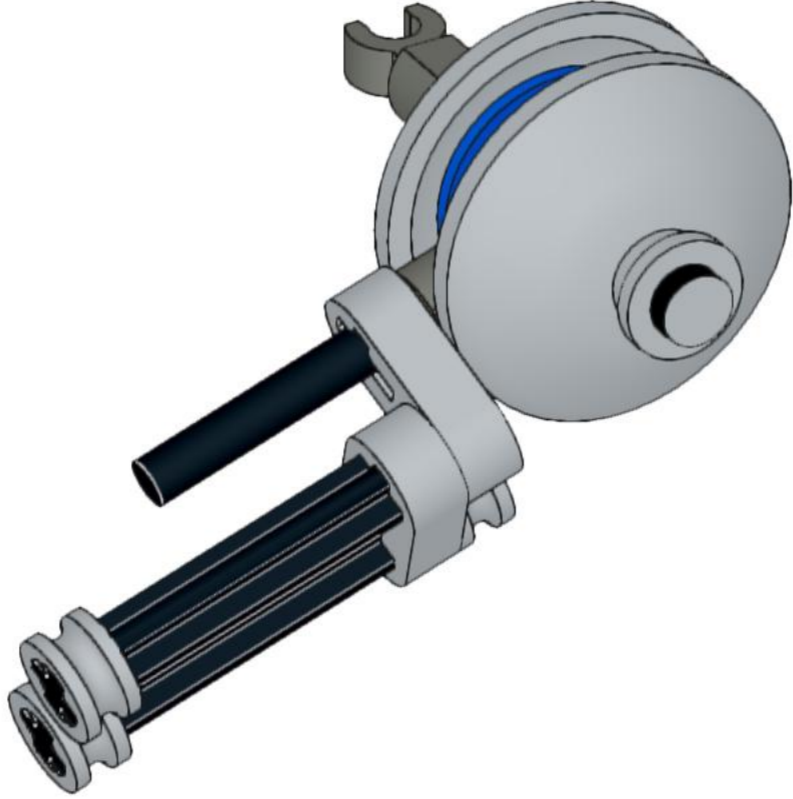


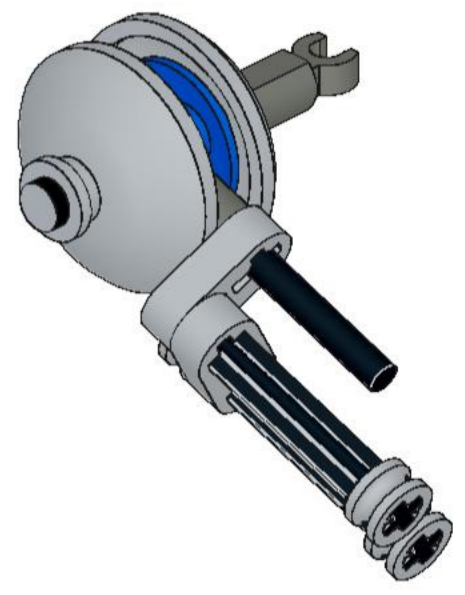
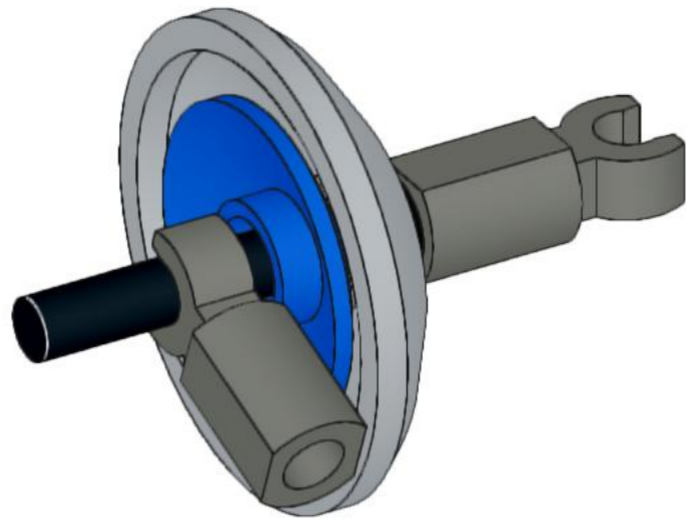
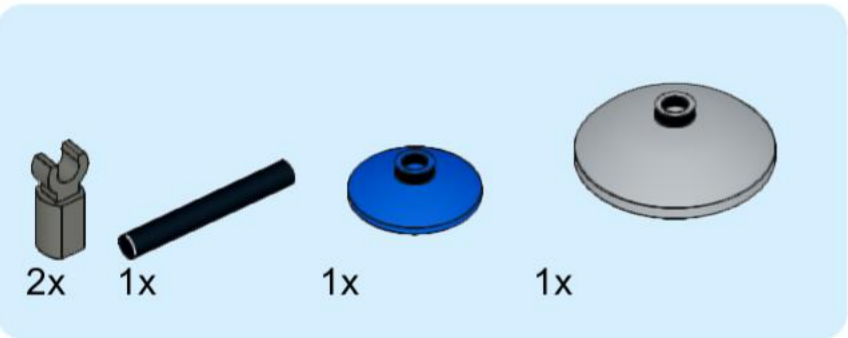
131

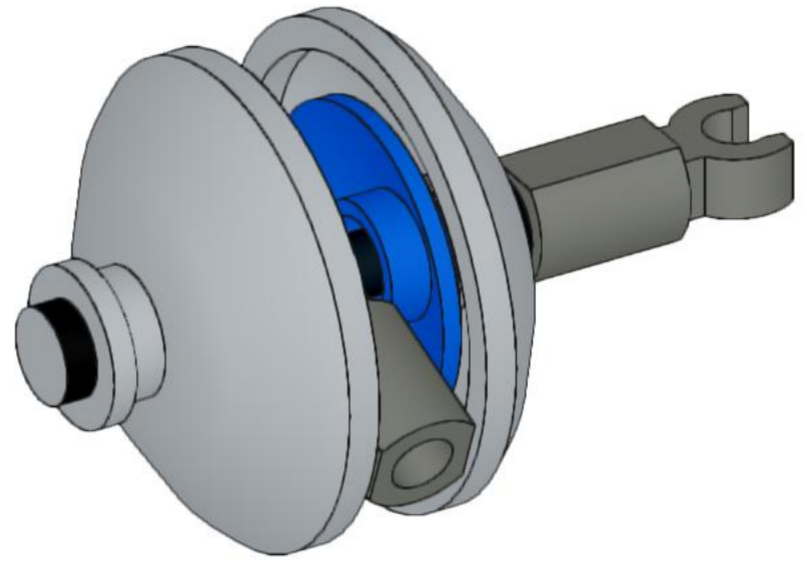
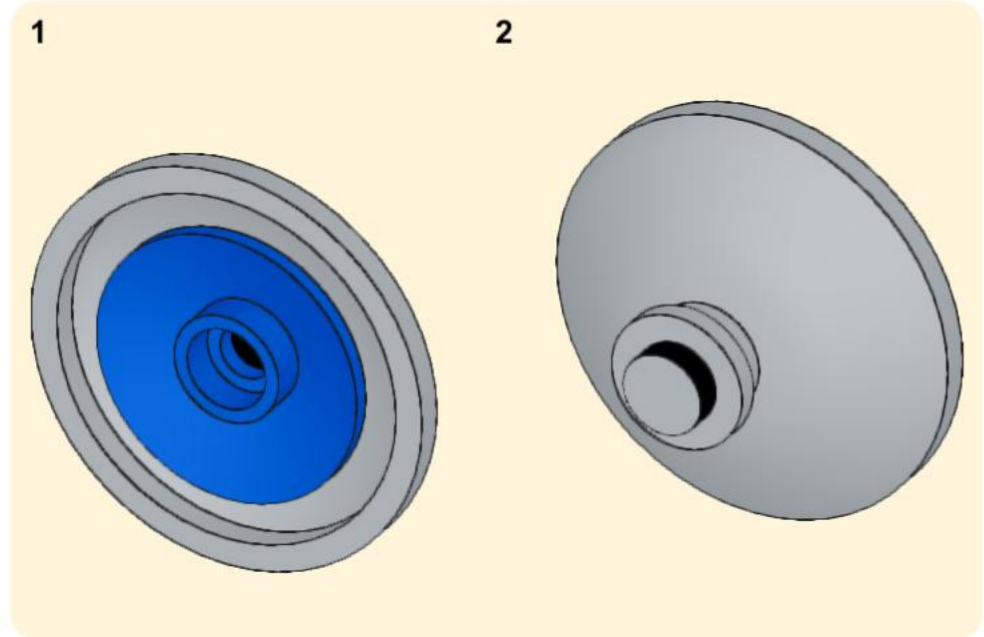
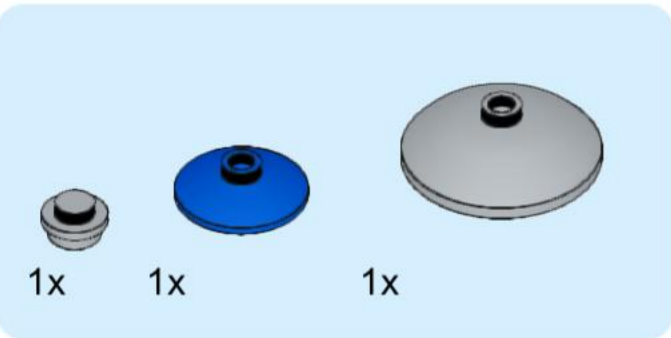


132

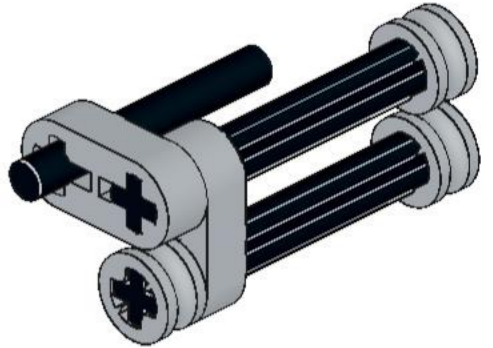
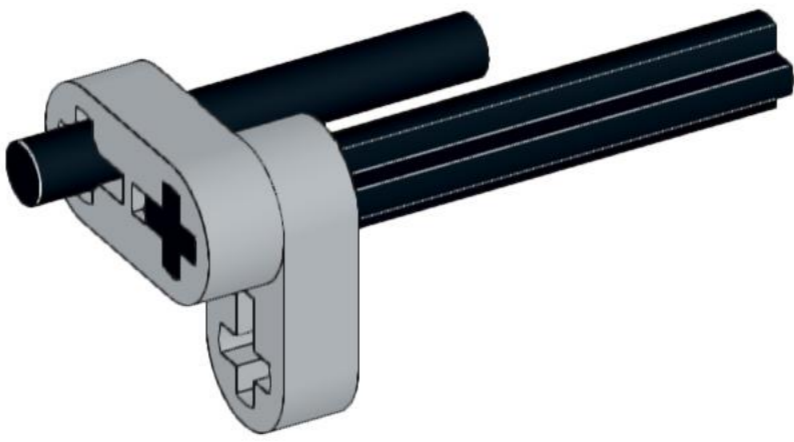
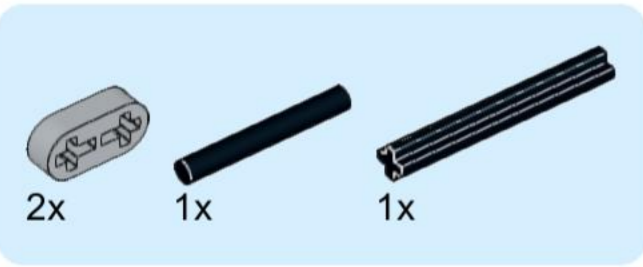




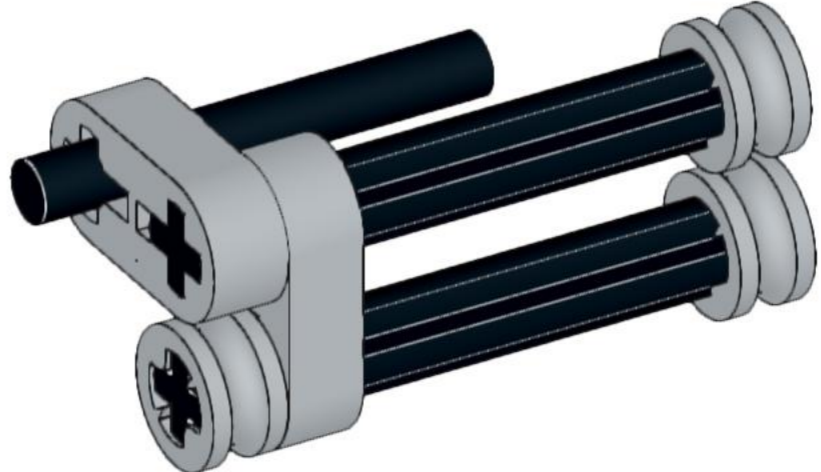
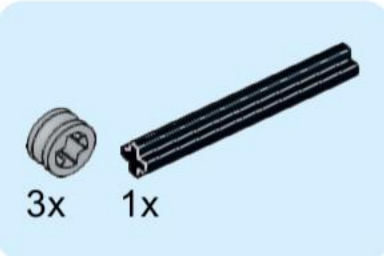


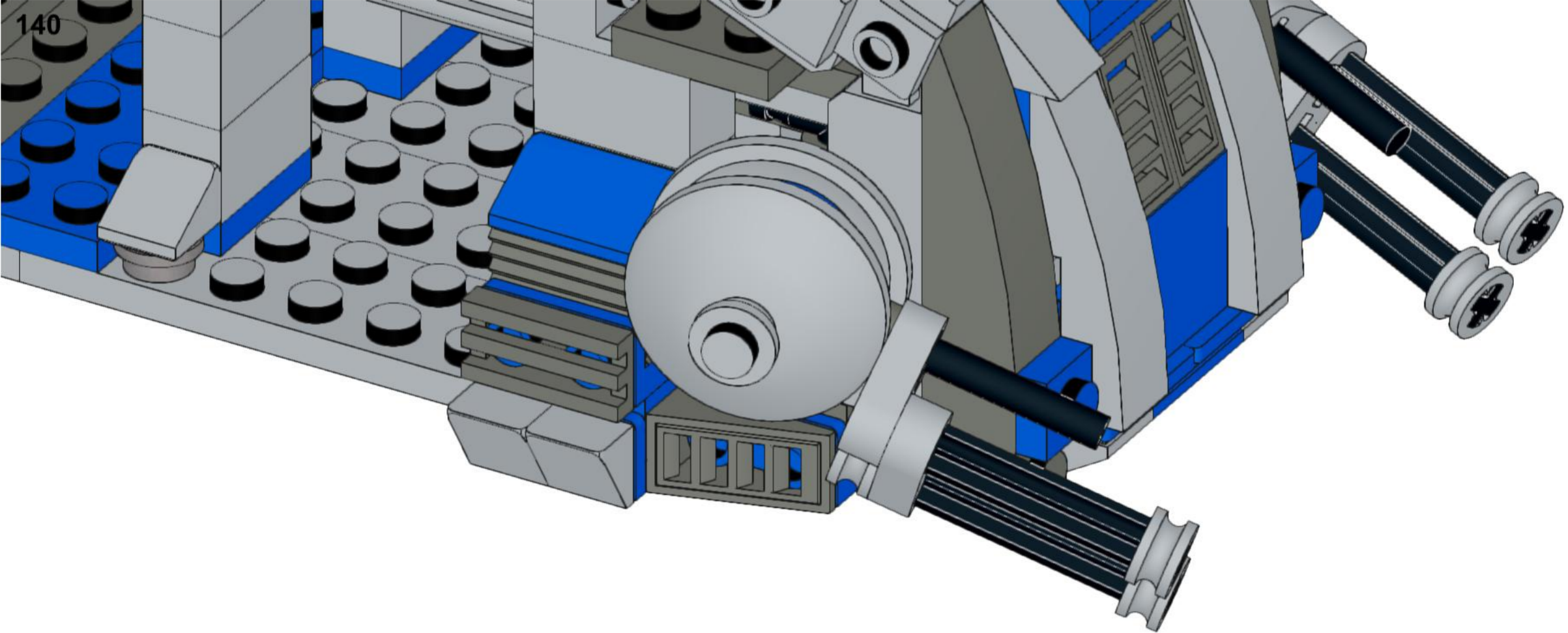
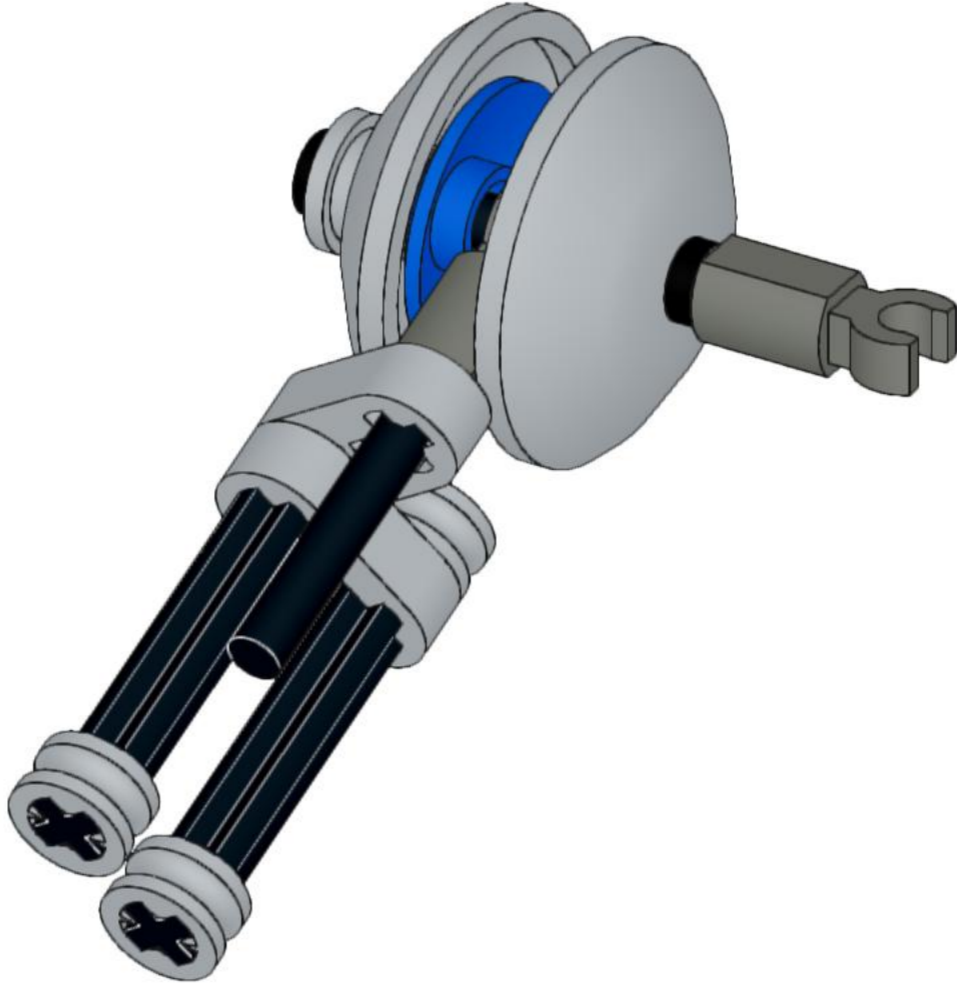


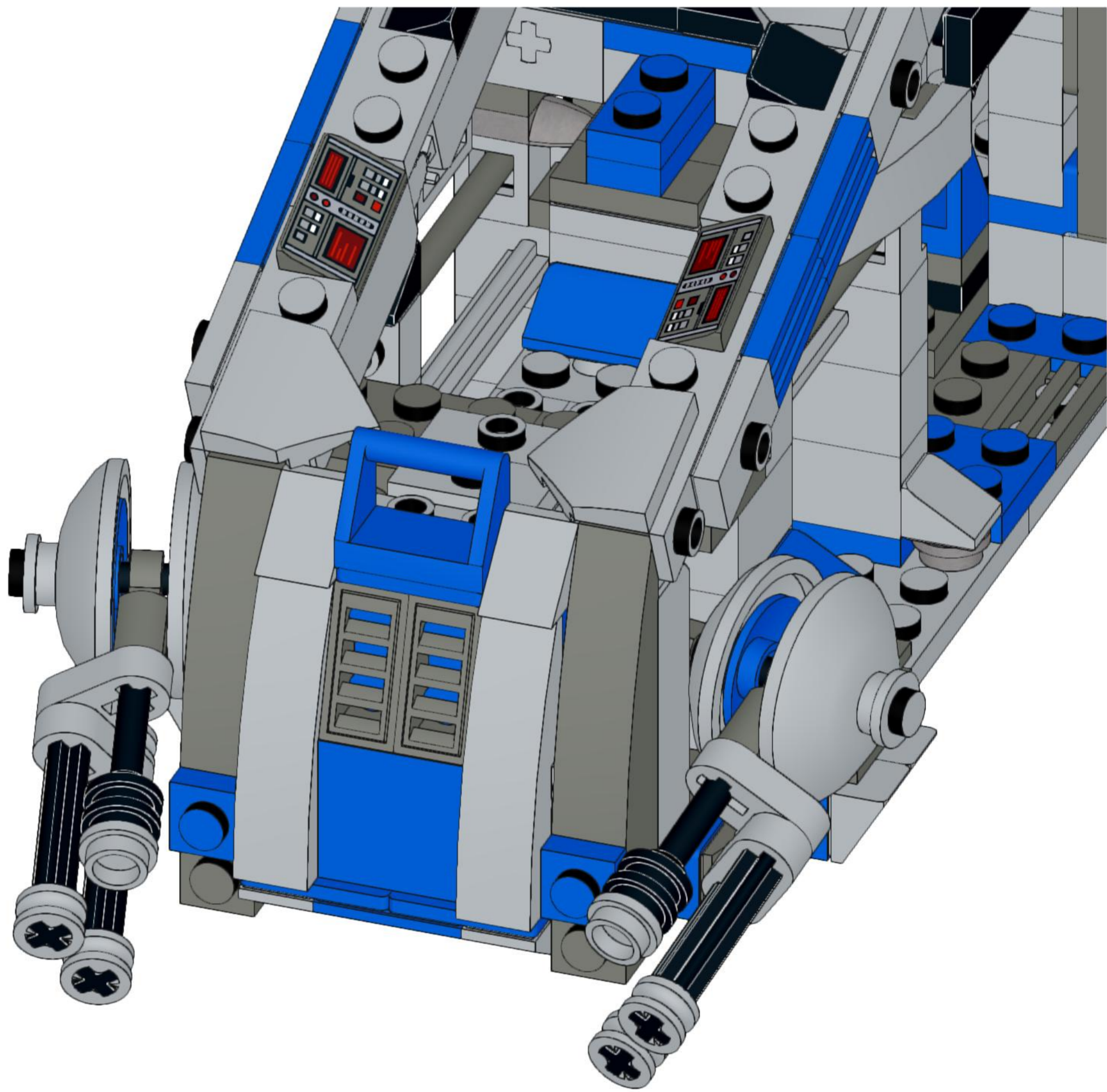
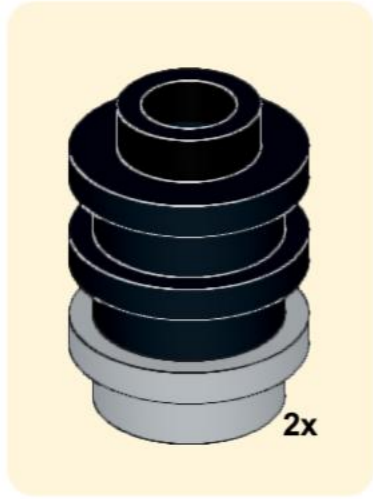
137



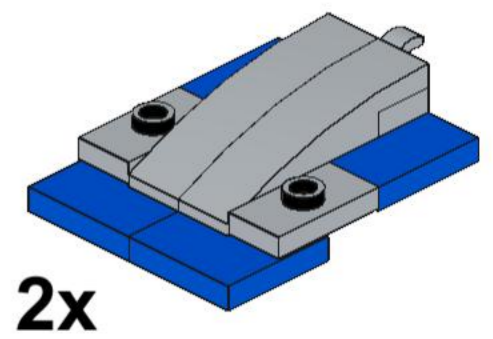
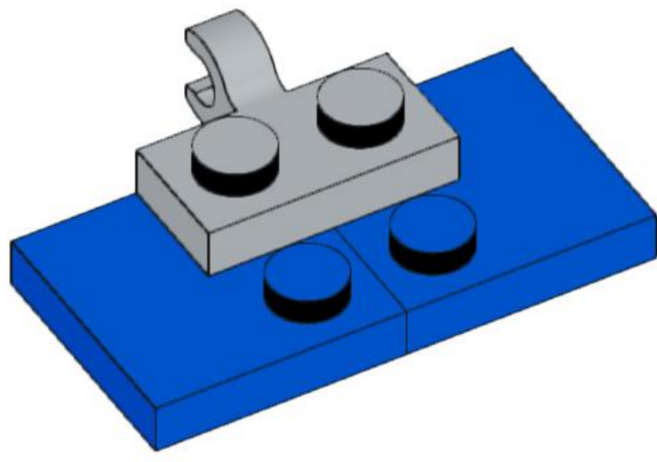
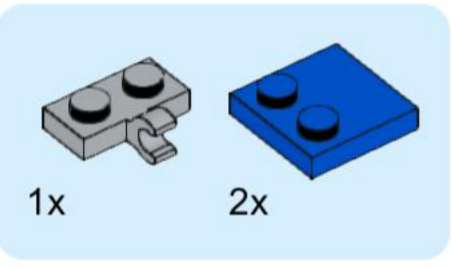
138



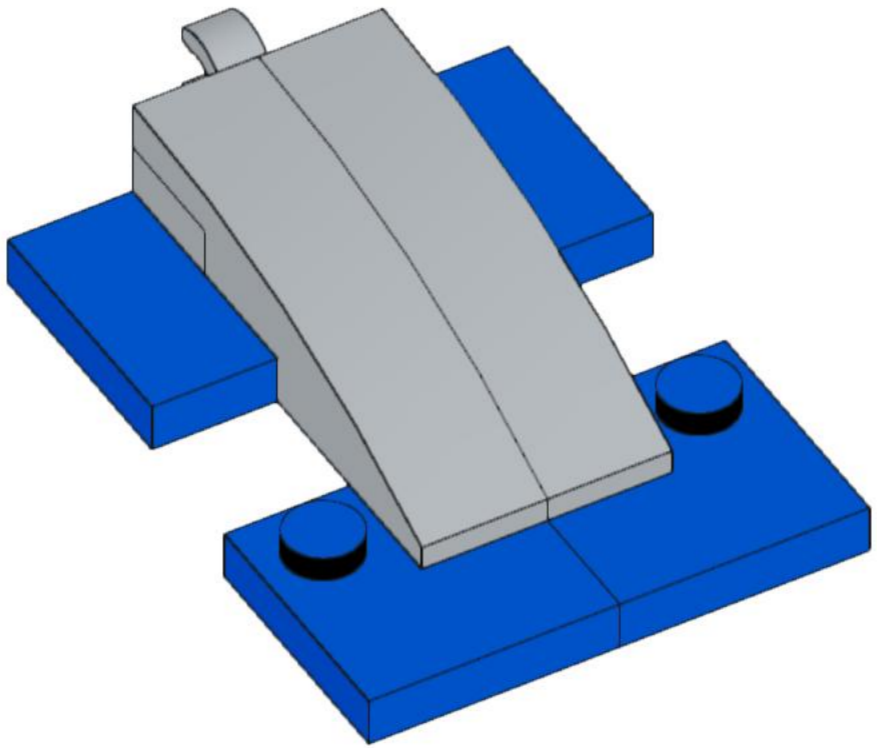
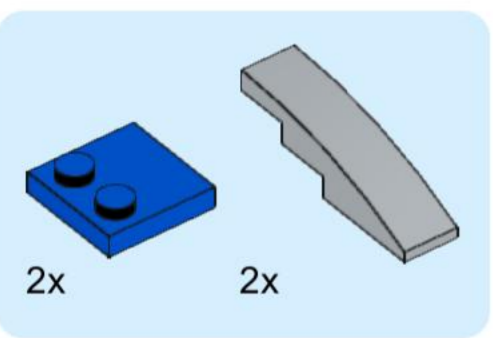




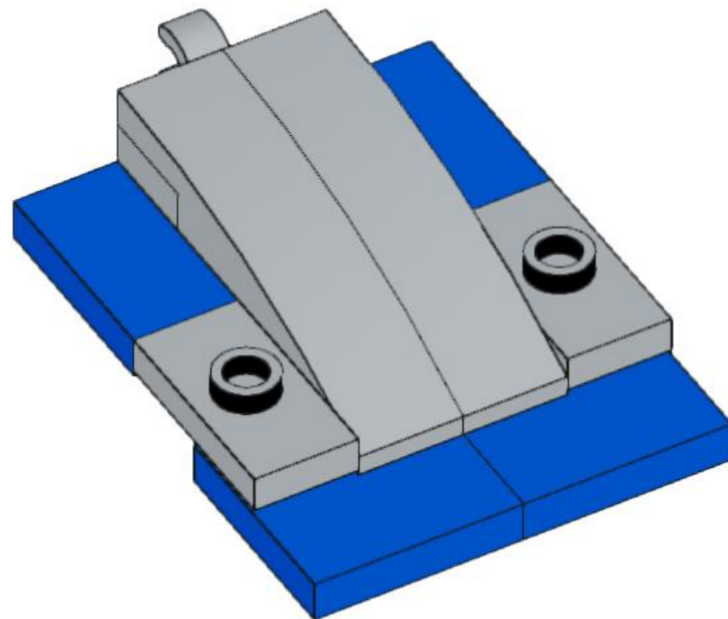
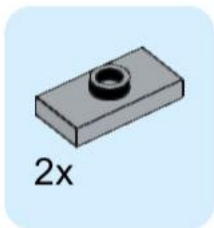
142



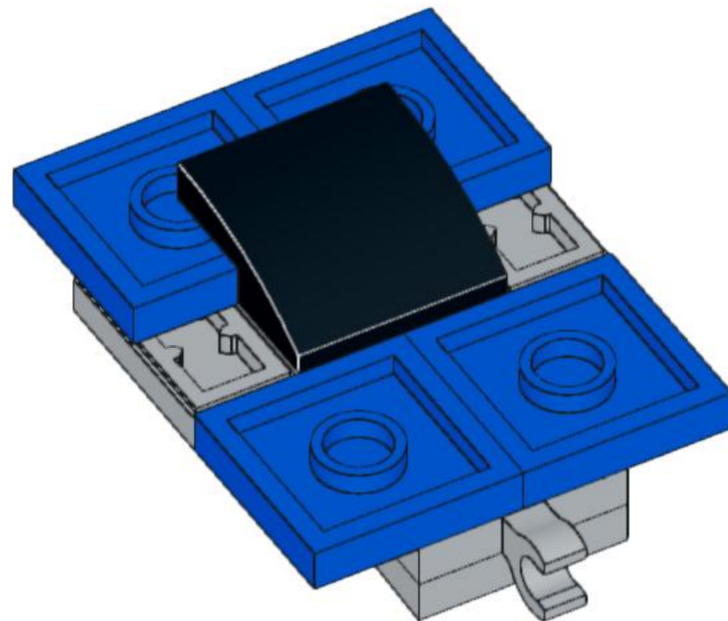
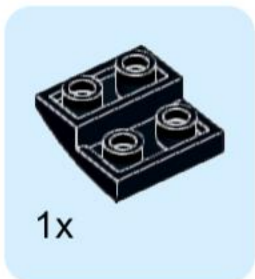
143



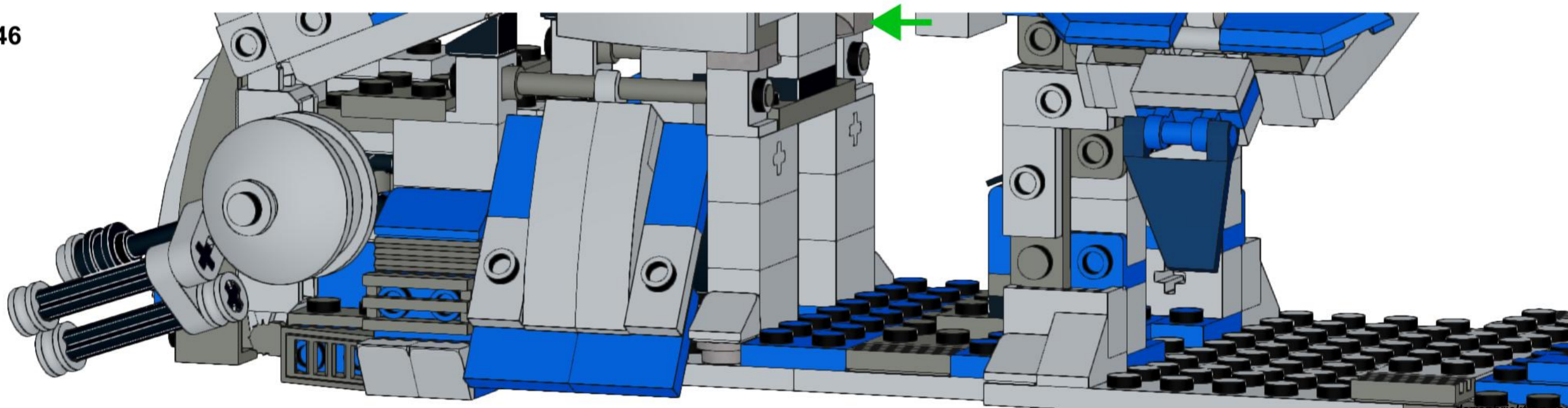
144



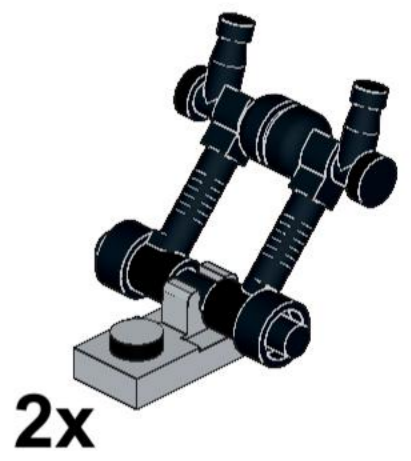
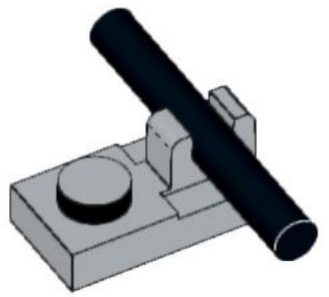
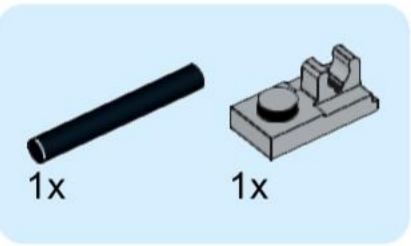
145



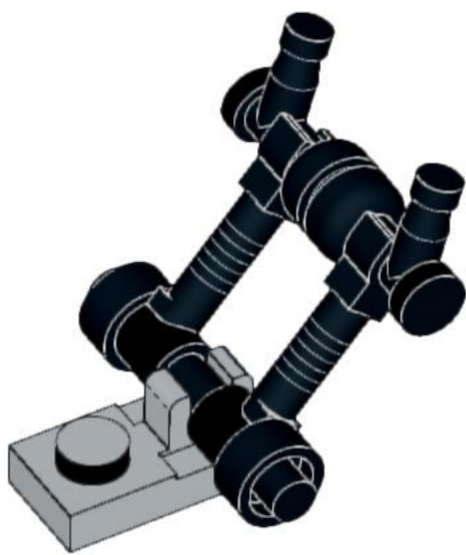
146



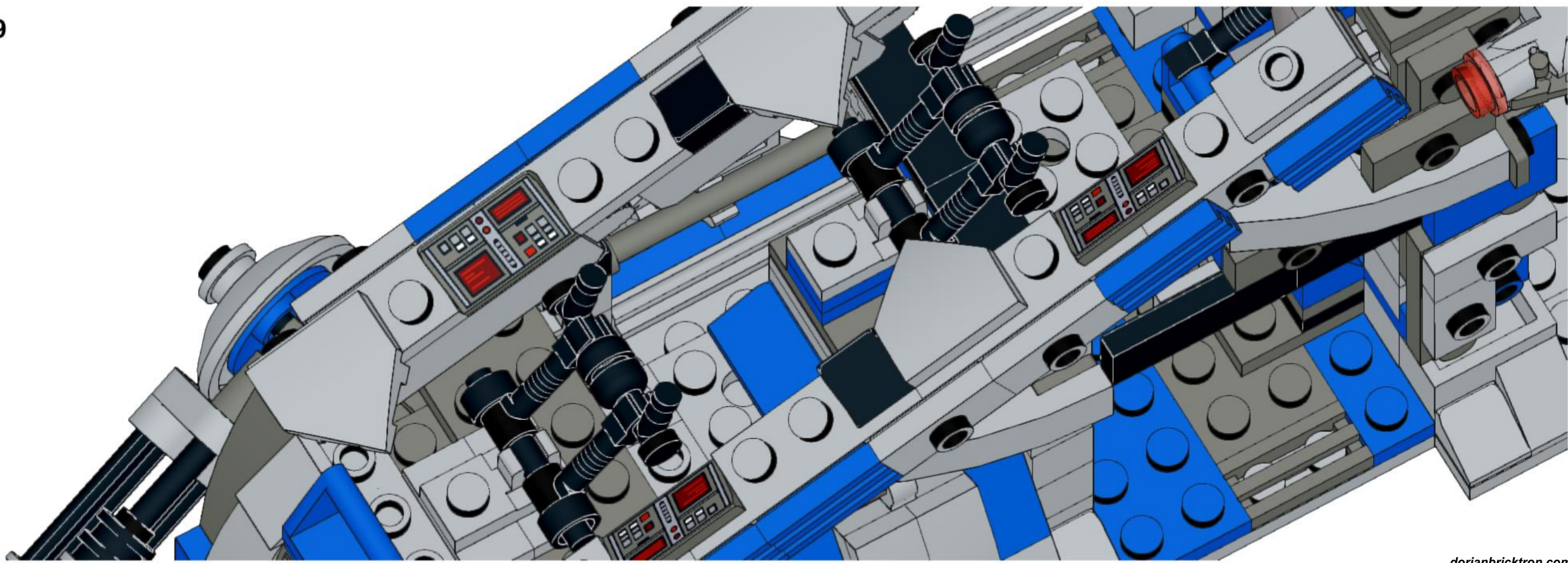
147

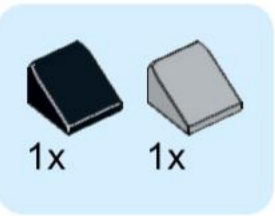


148



149

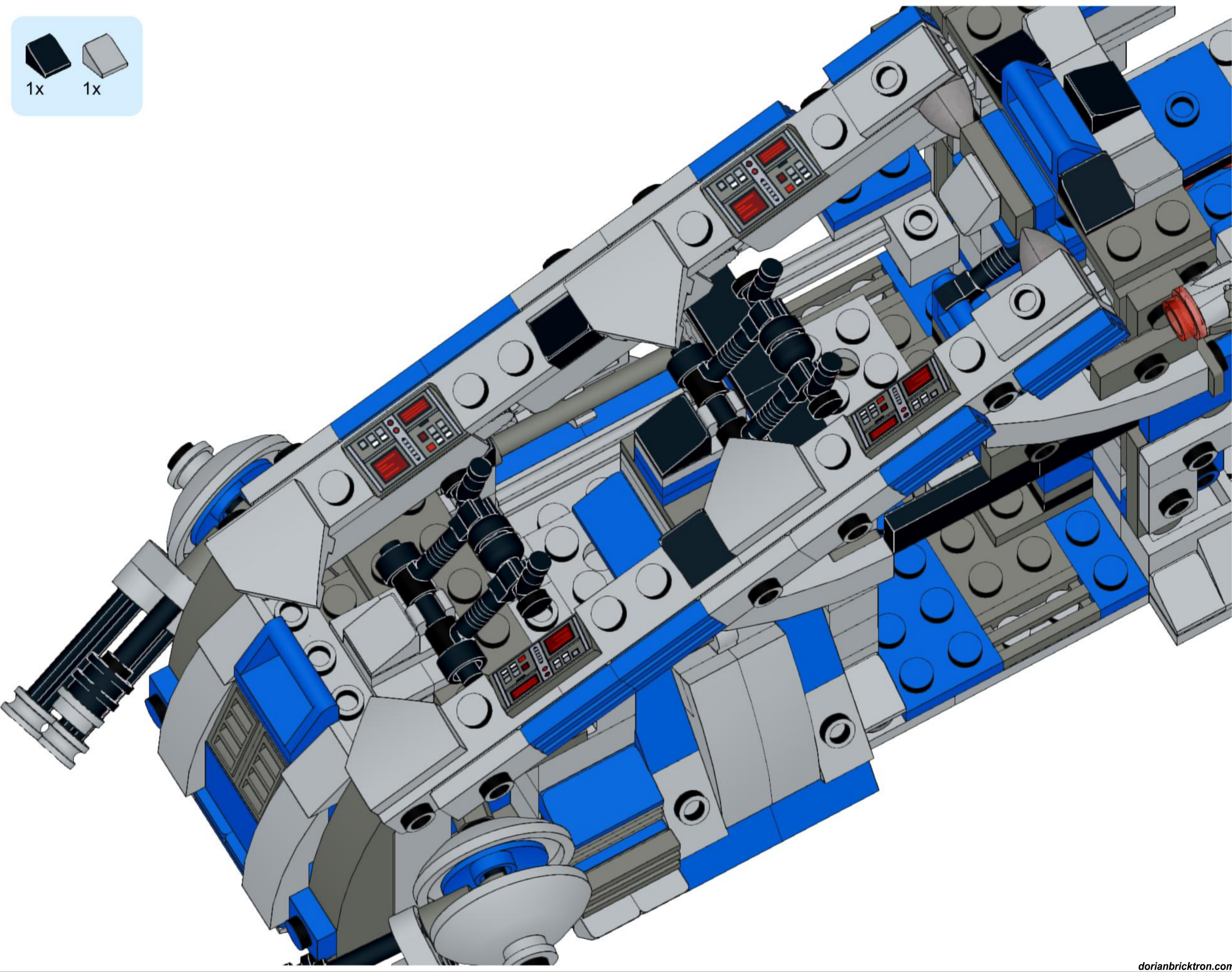




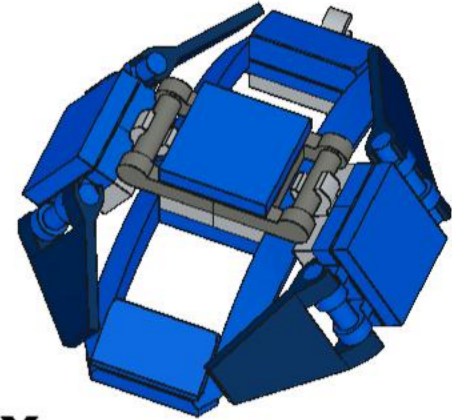
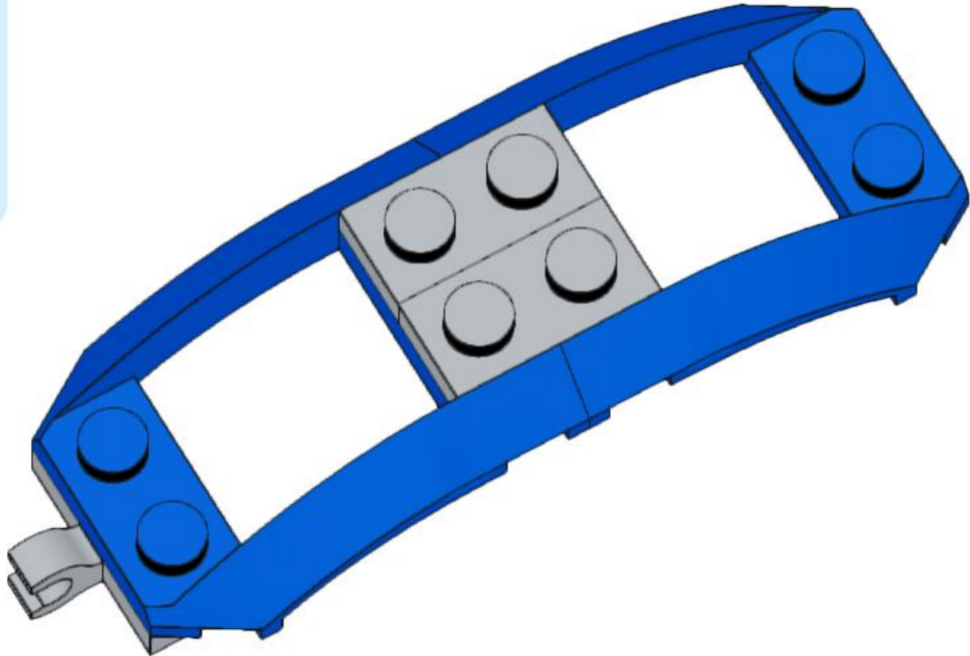
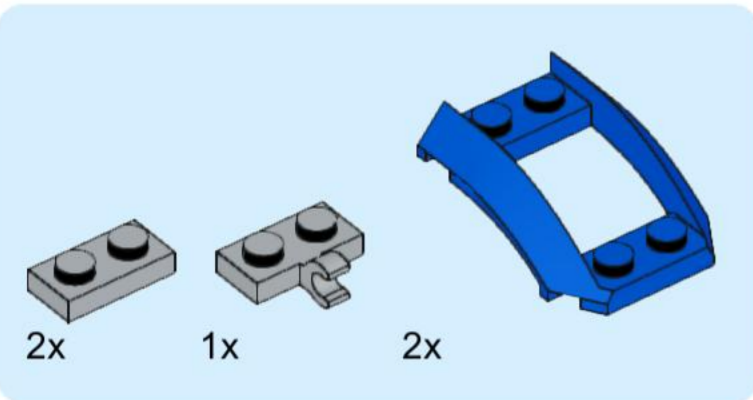
1x 1x

1x 1x

This block contains a parts list for step 150. It shows two items: a black 1x2 Technic brick with a hole and a grey 1x2 Technic brick with a hole. Each item is accompanied by the quantity '1x'.

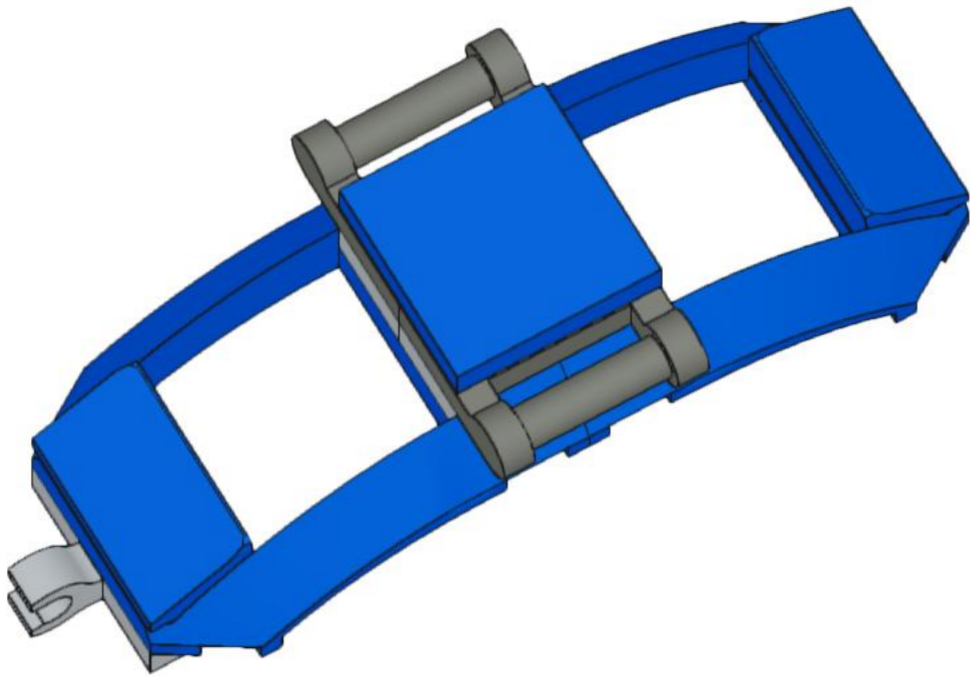
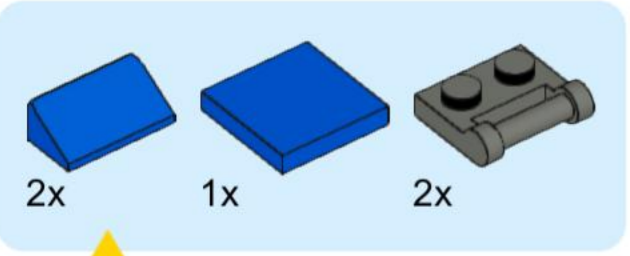


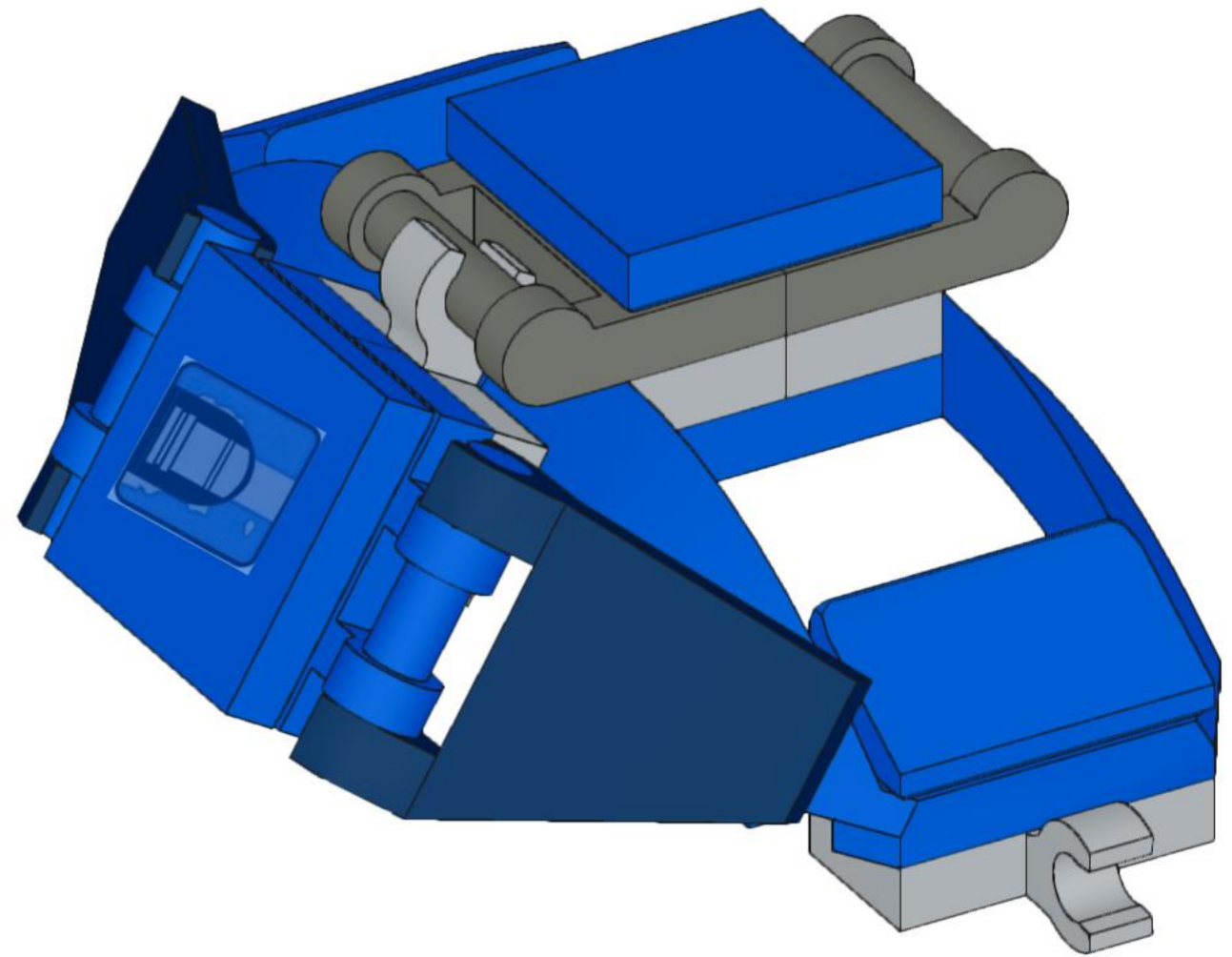
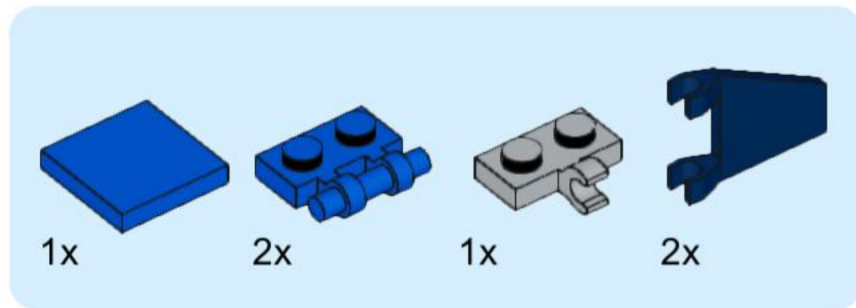
151



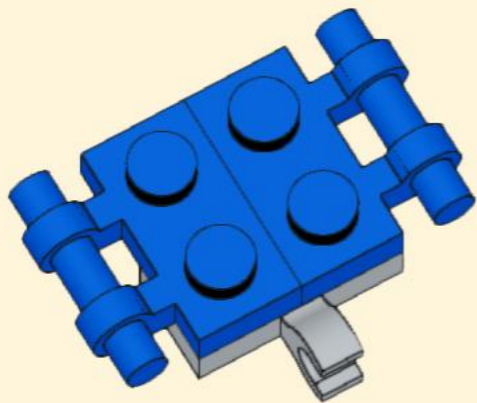
2x

152

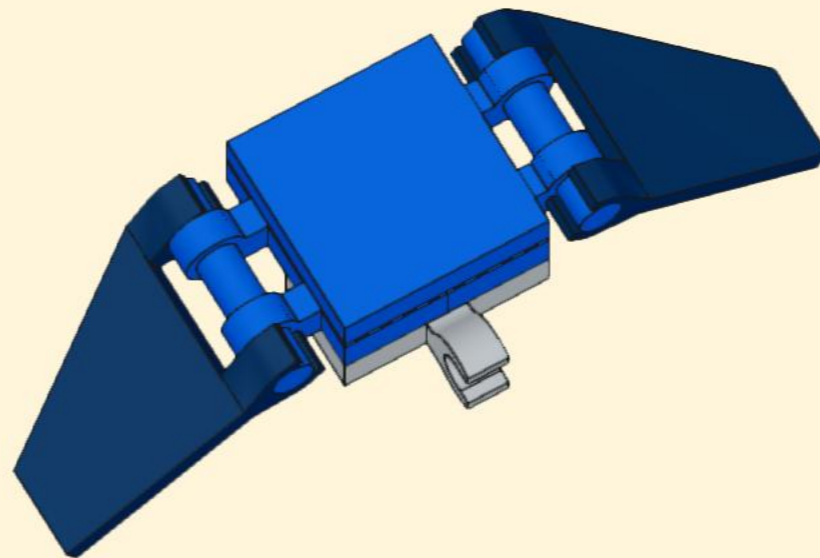


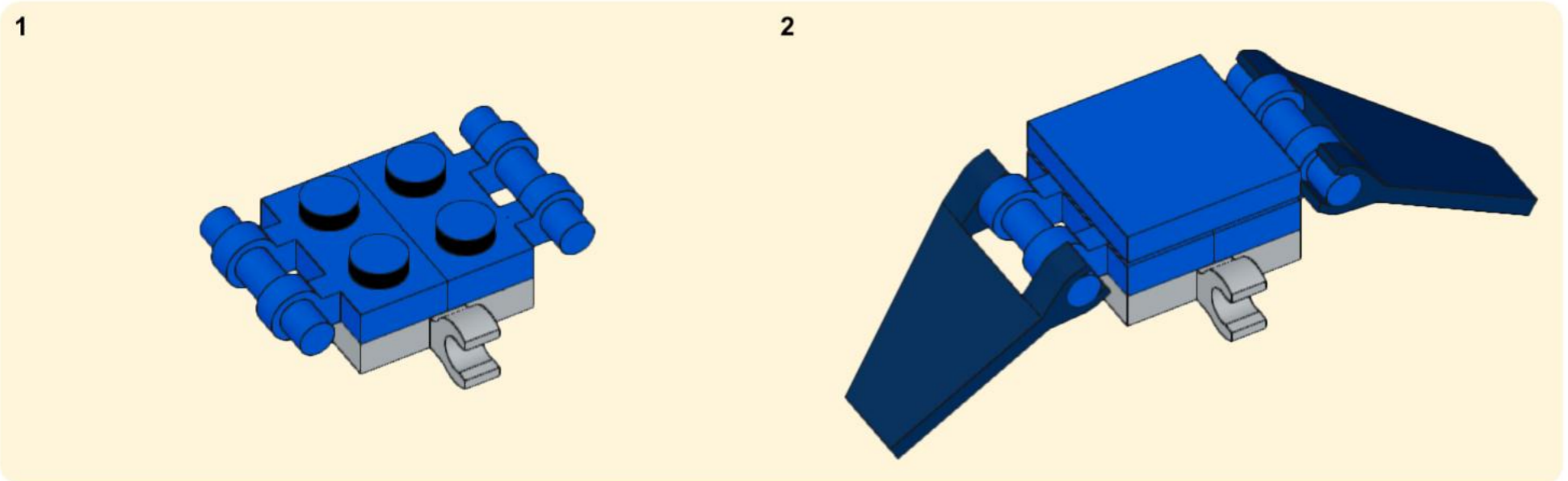
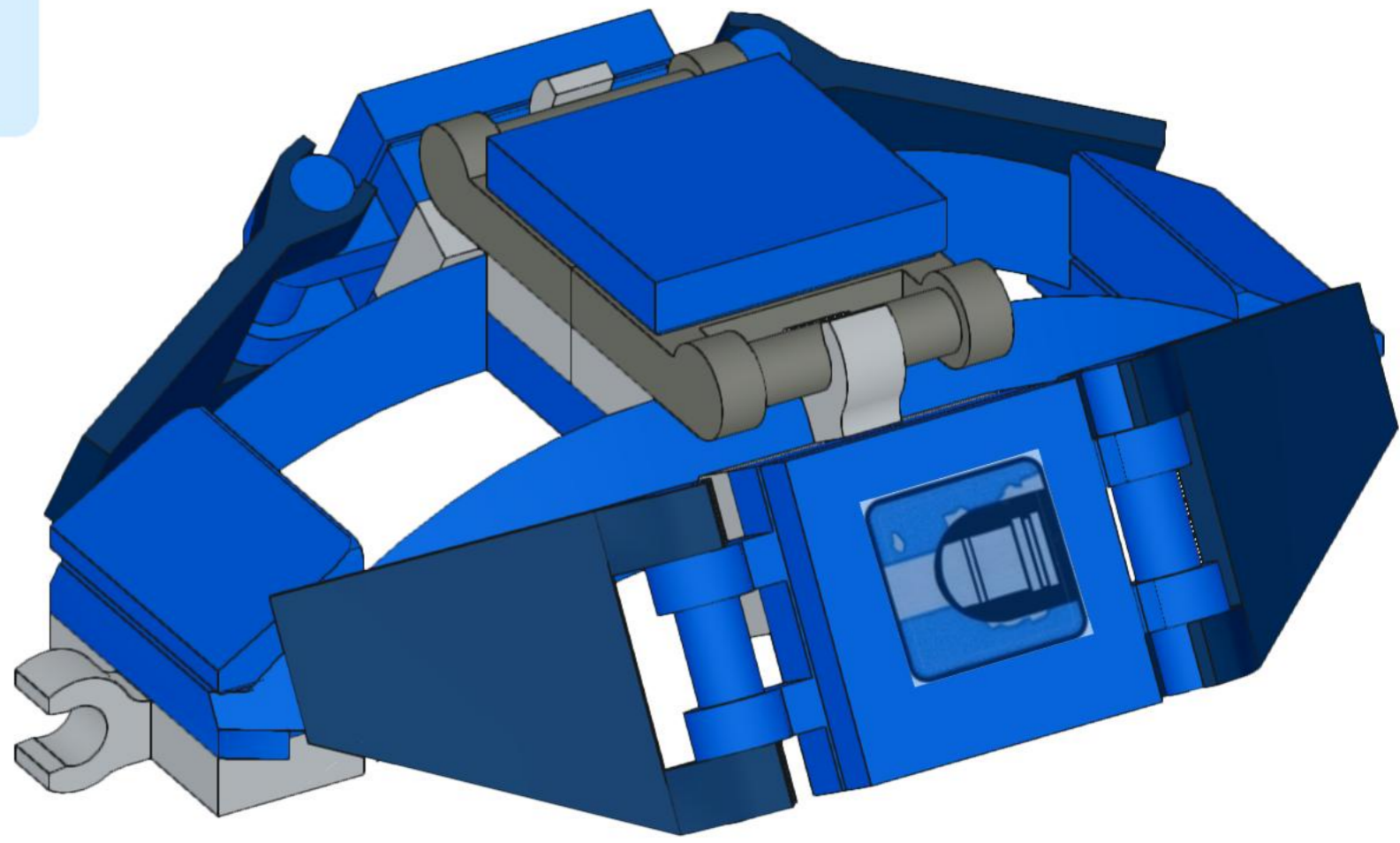
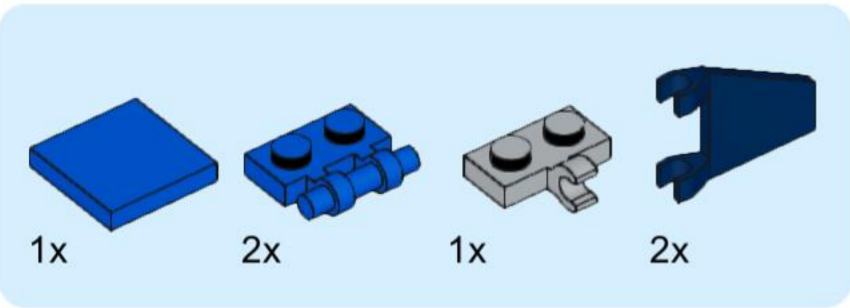


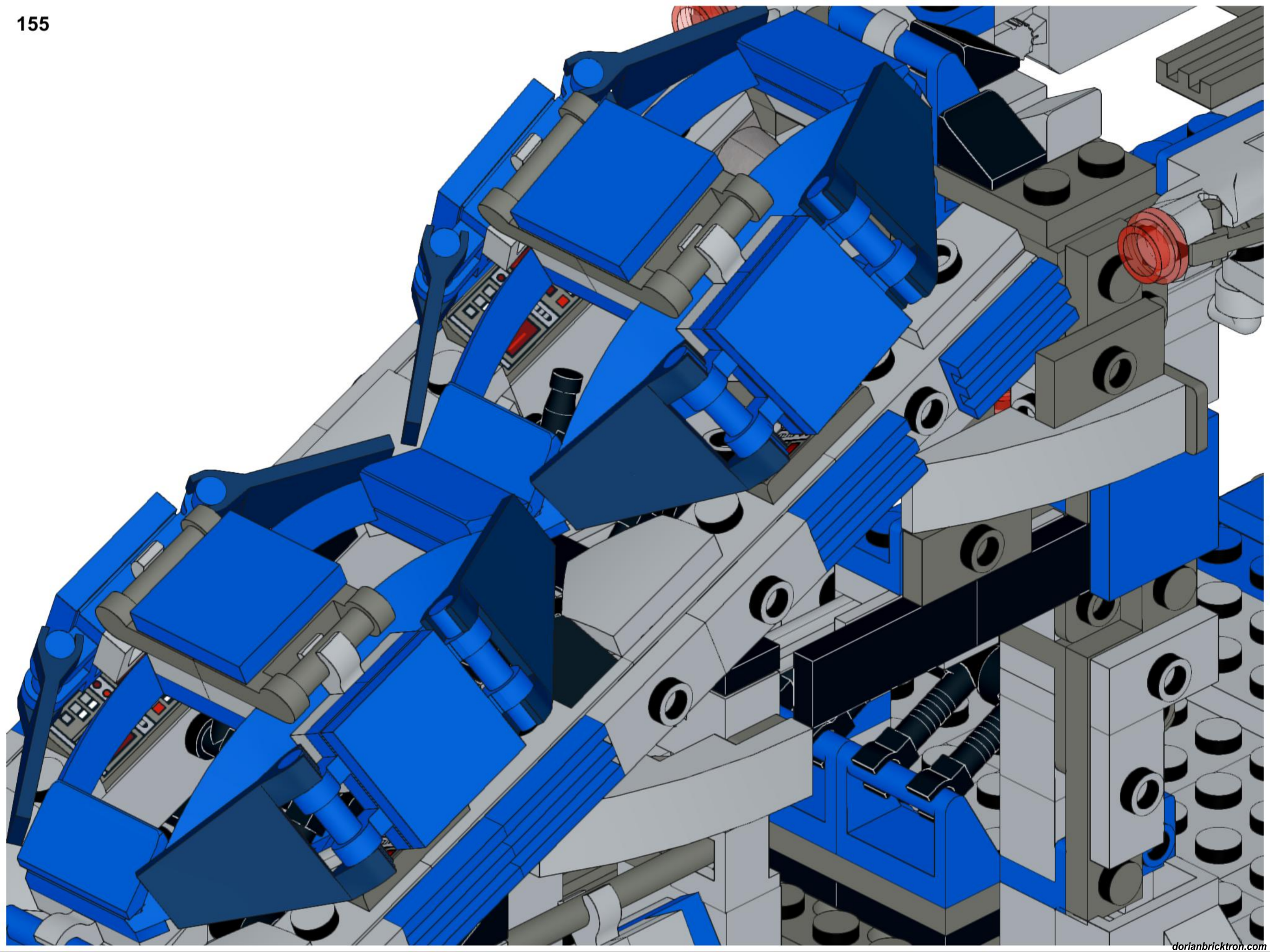
1



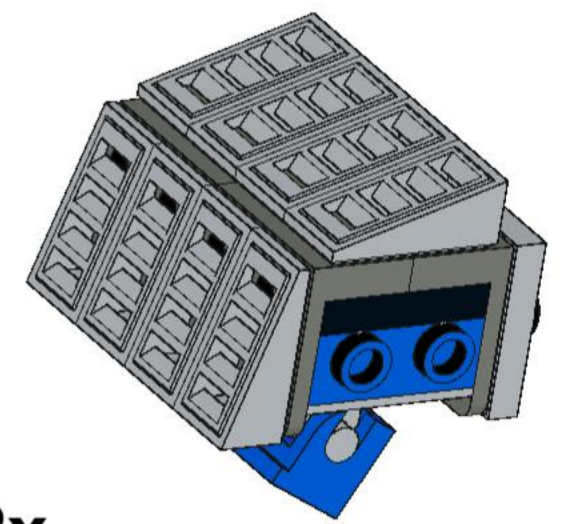
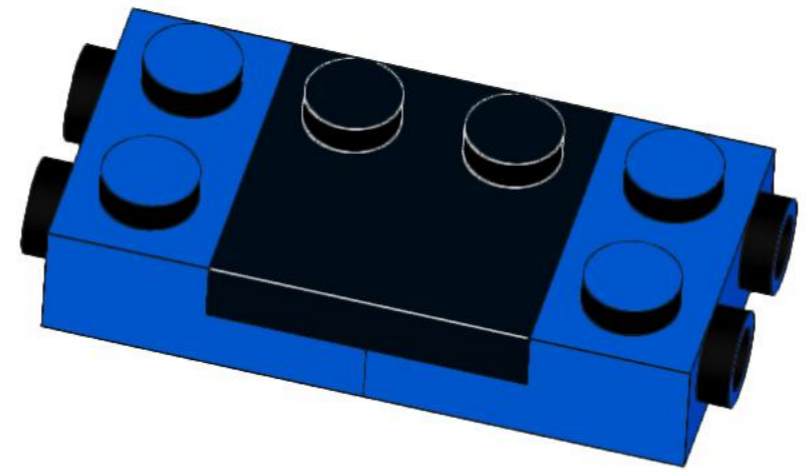
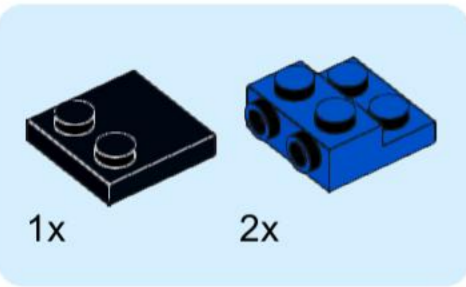
2





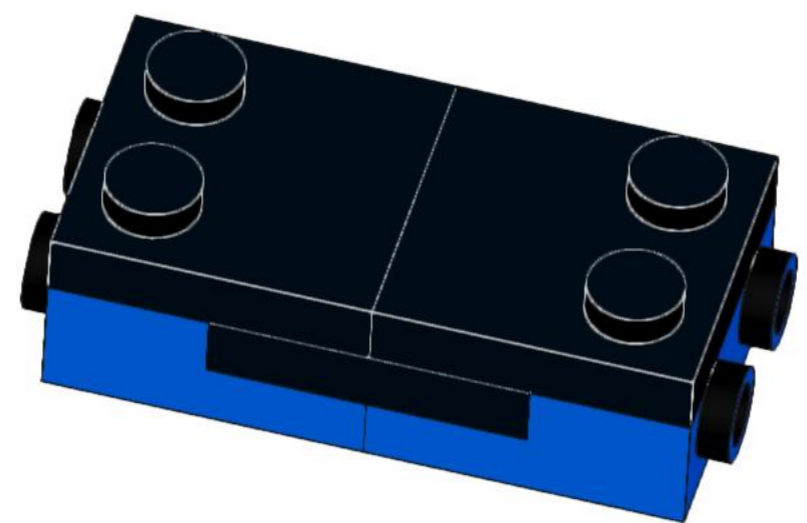
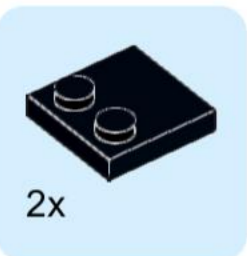


156

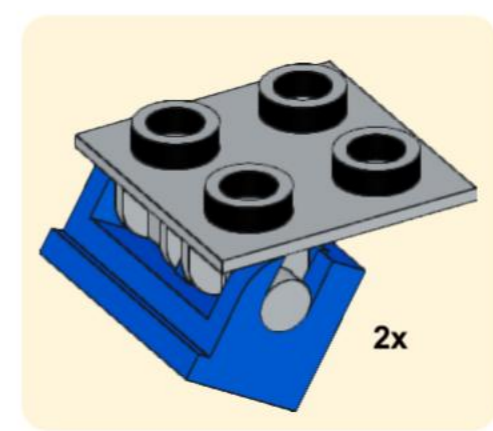
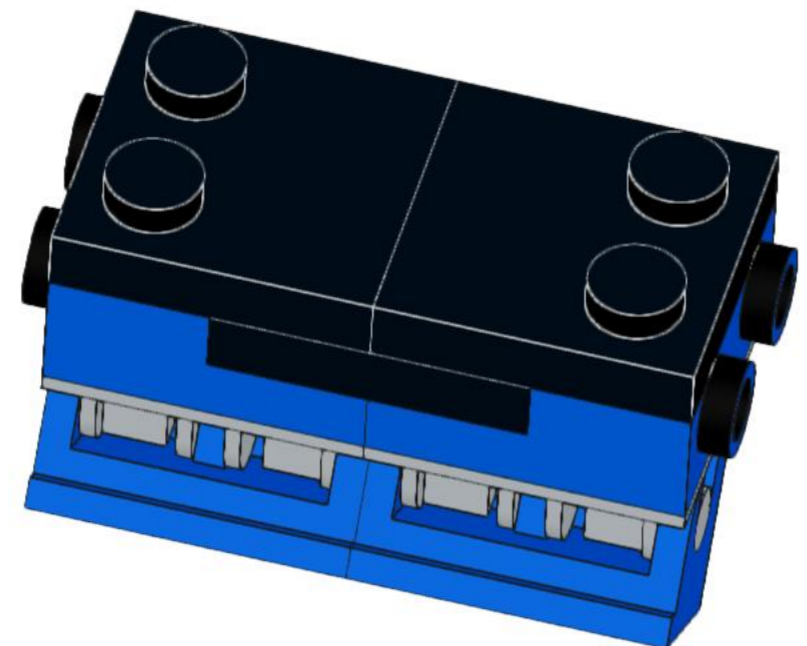
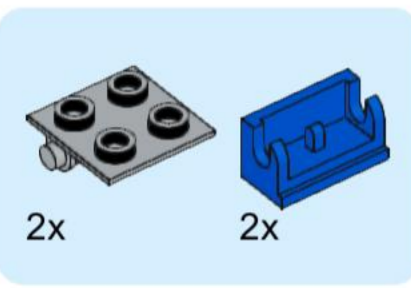


2x

157

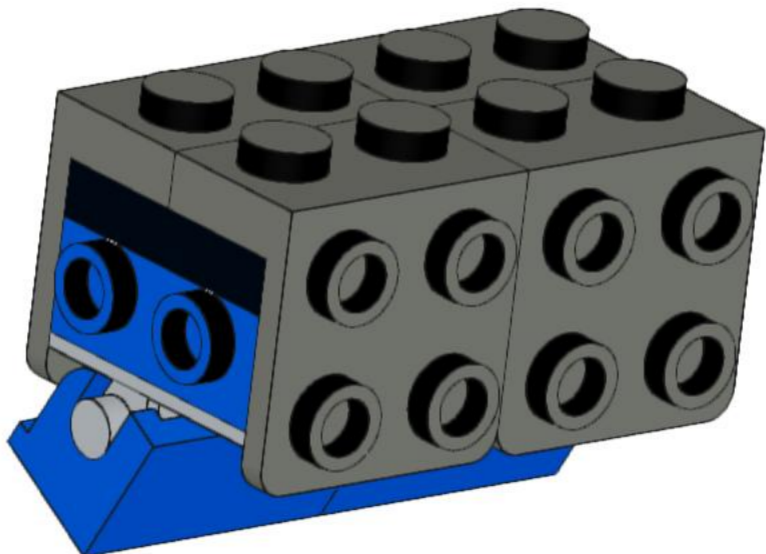
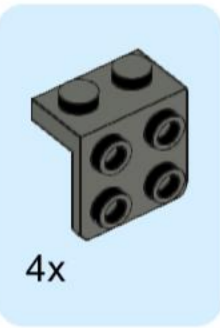


158

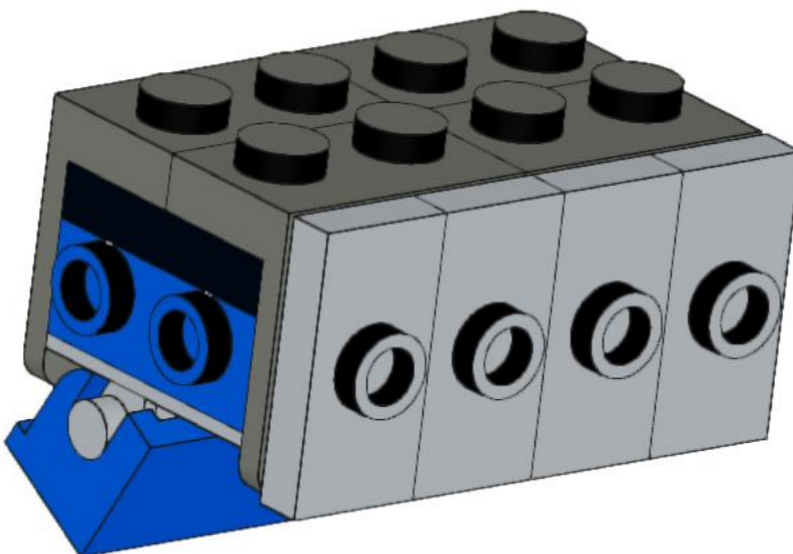
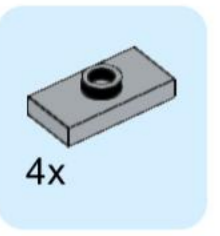


2x

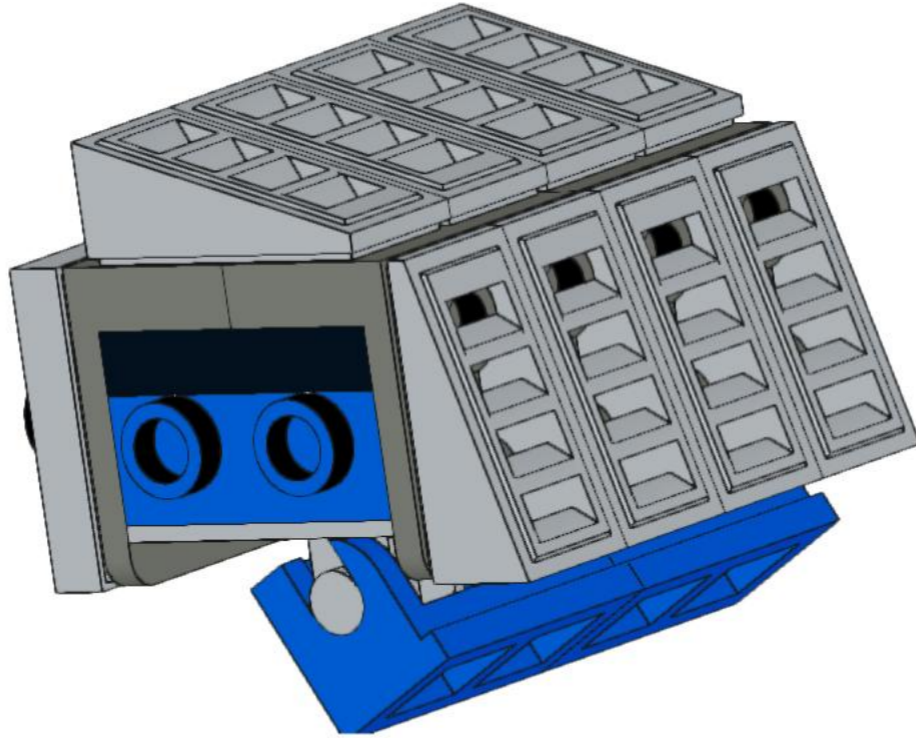
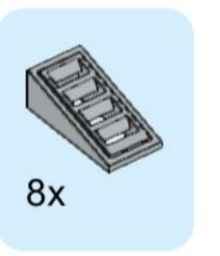
159

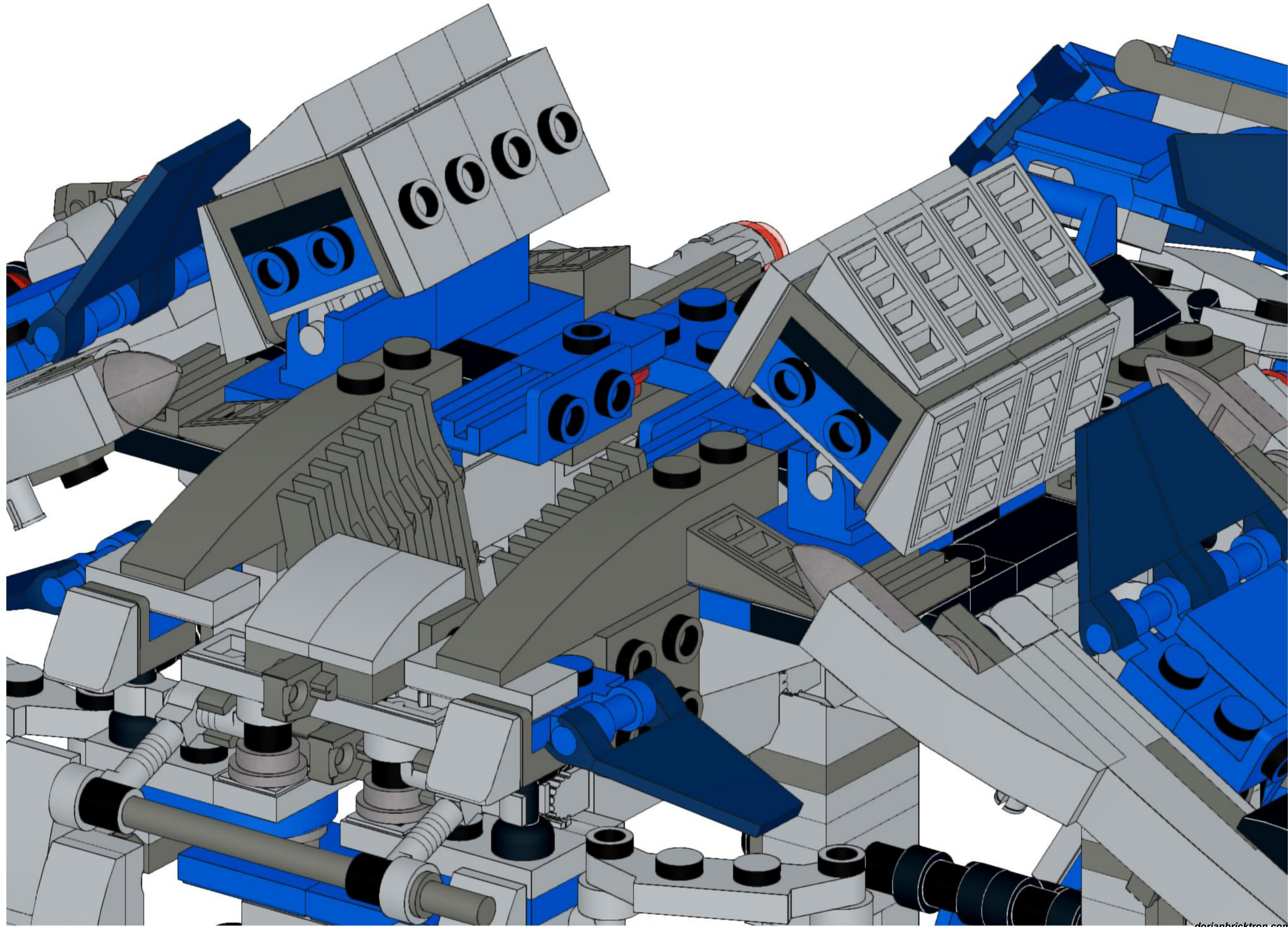


160

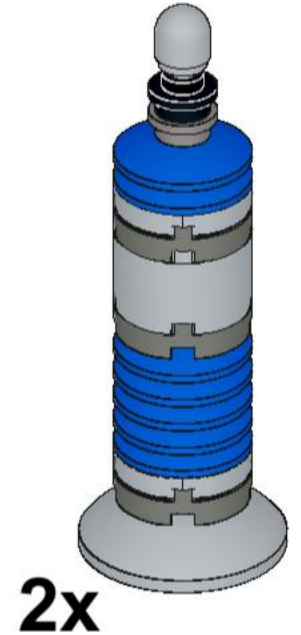
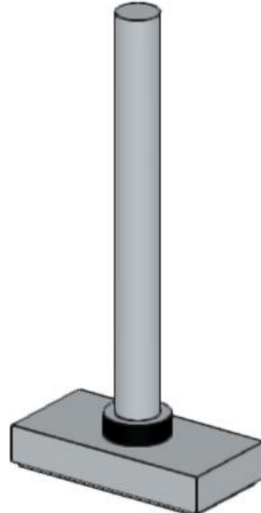
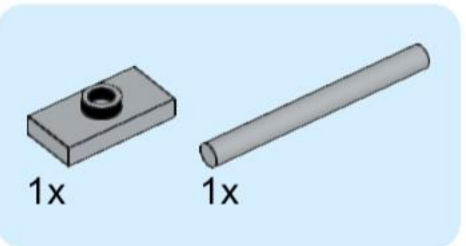


161

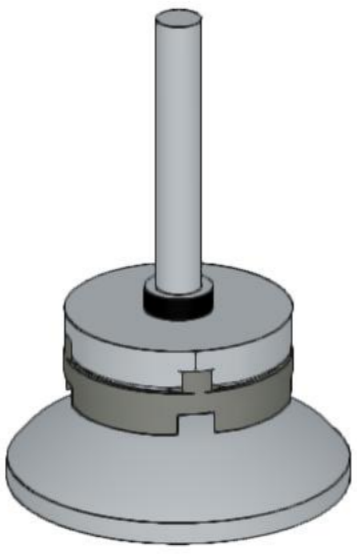
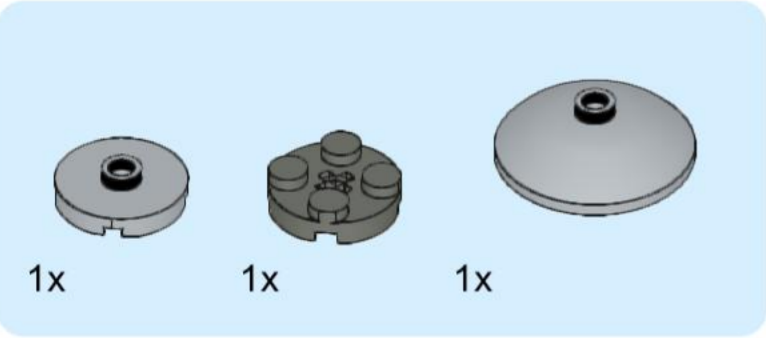




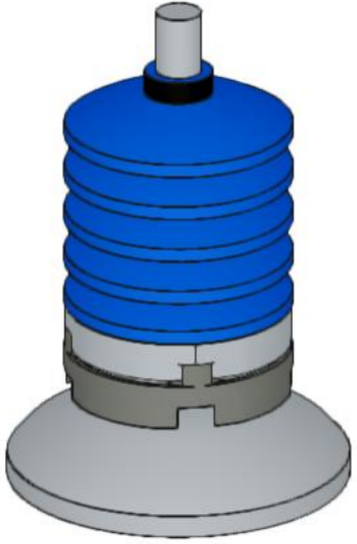
163



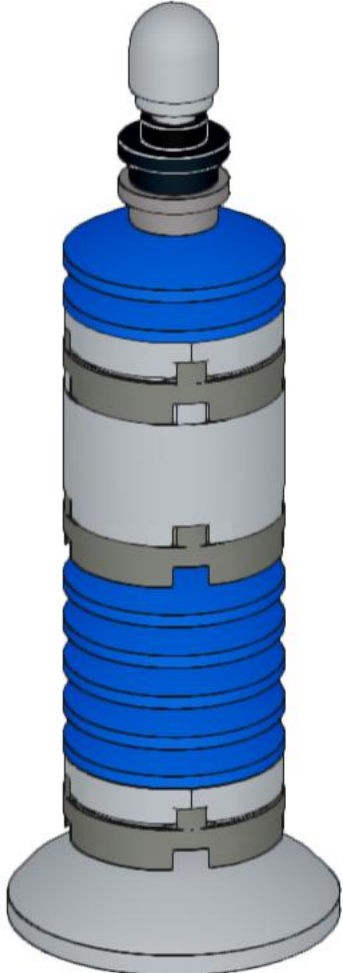
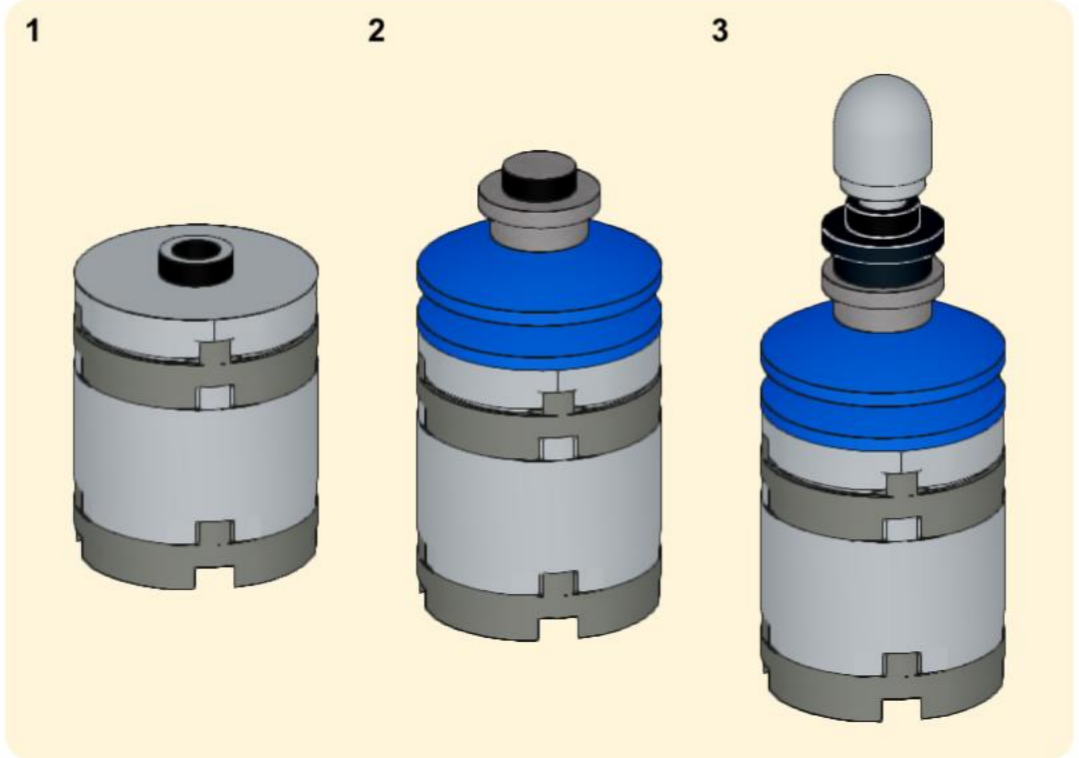
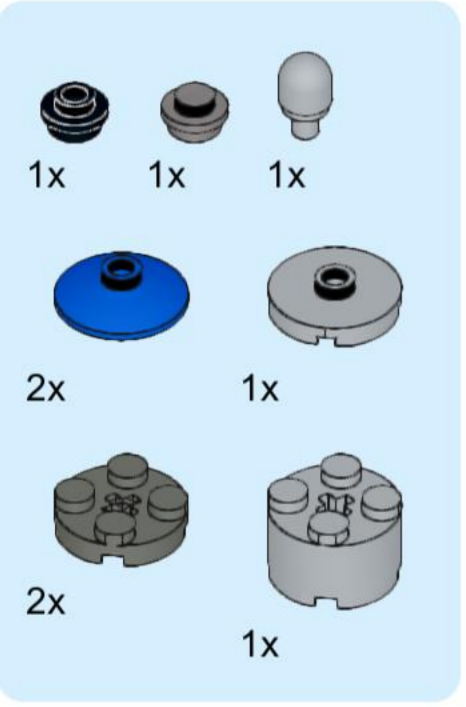
164

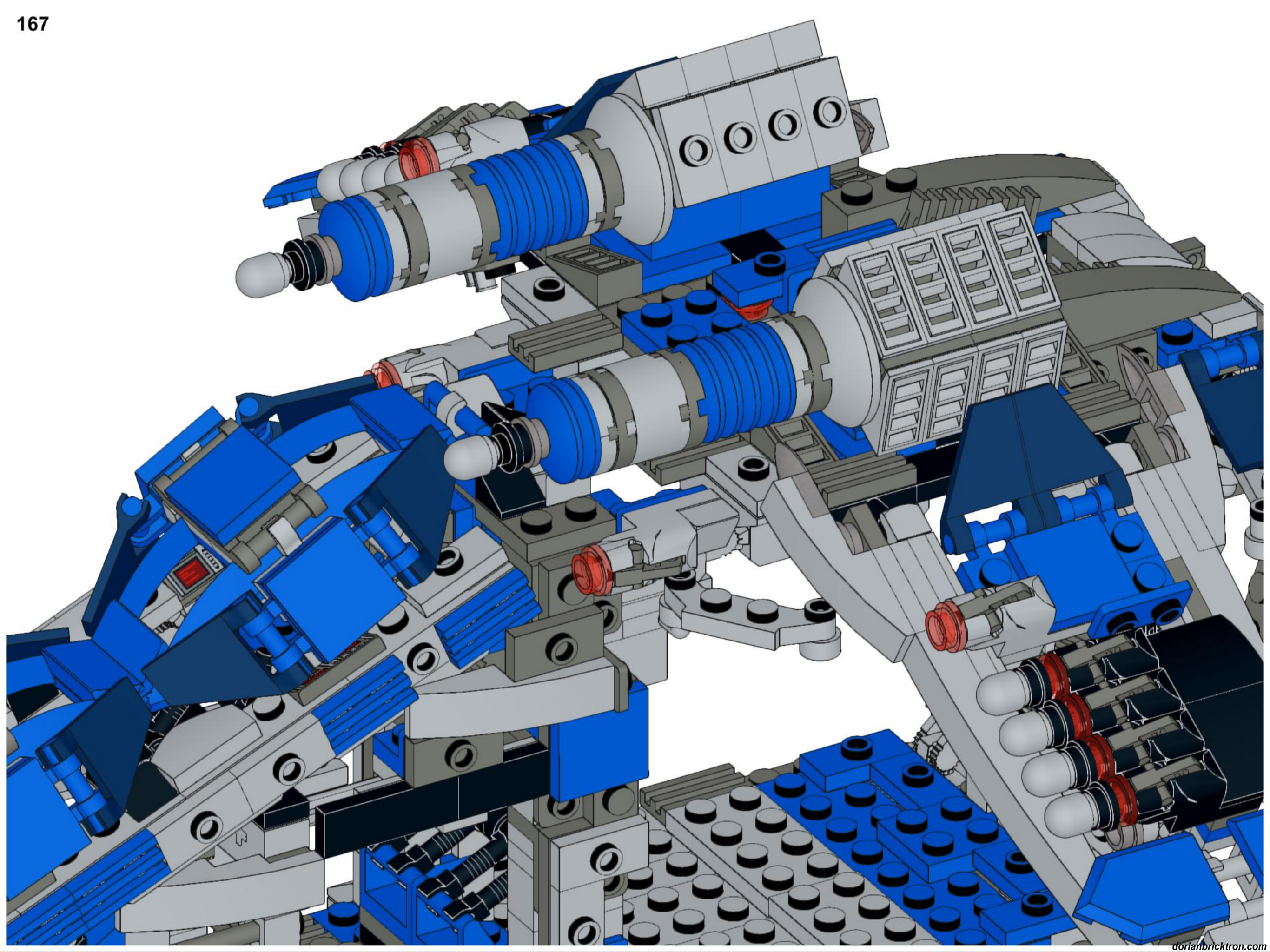


165

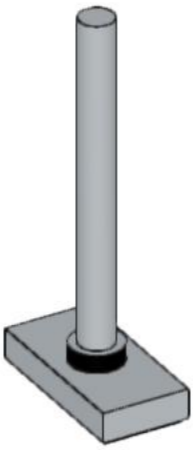
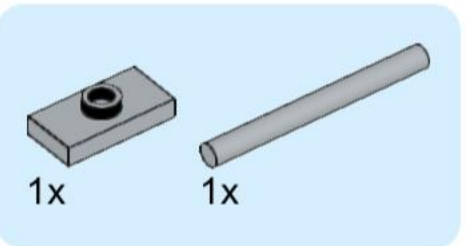


166

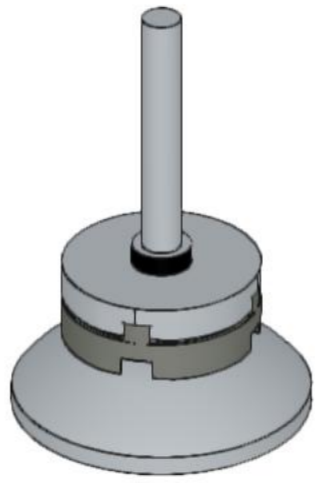
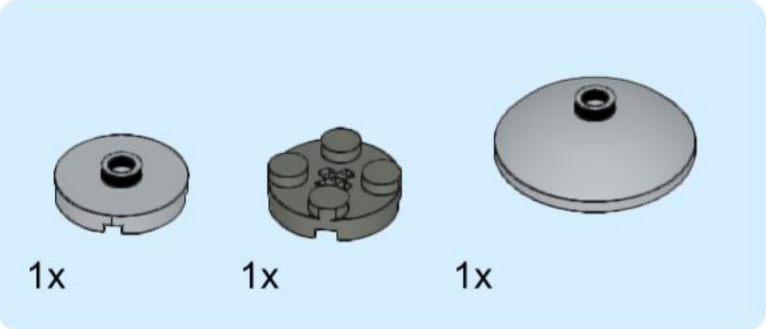




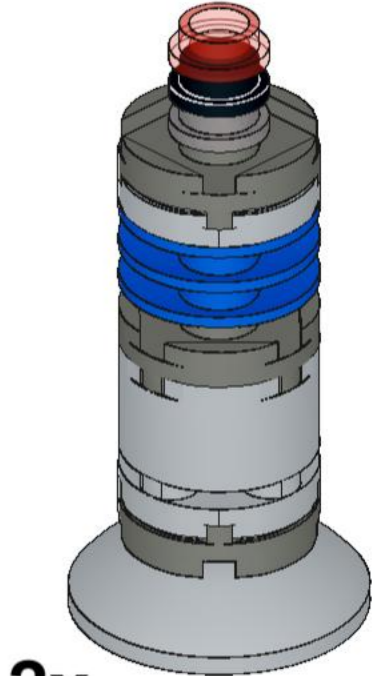
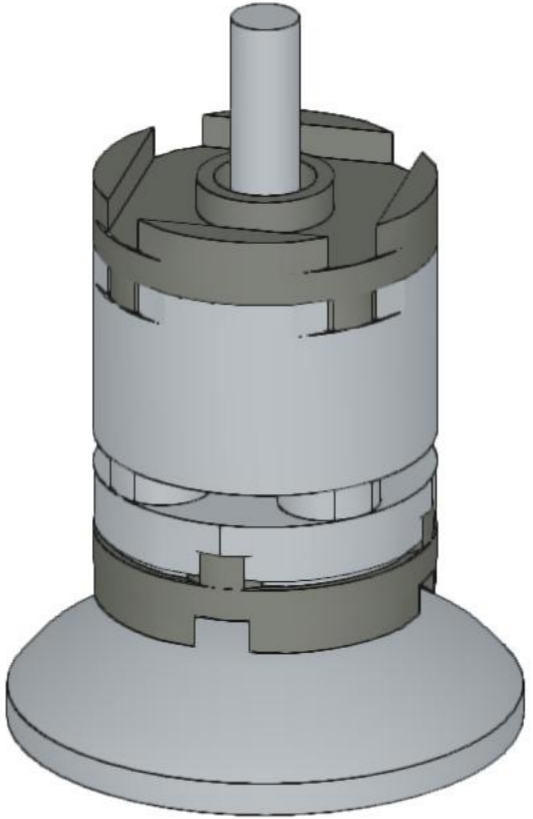
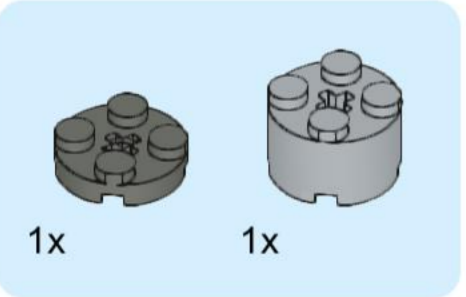
168



169

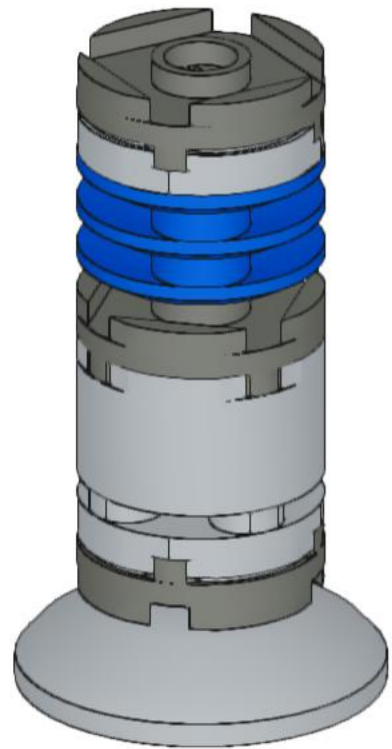
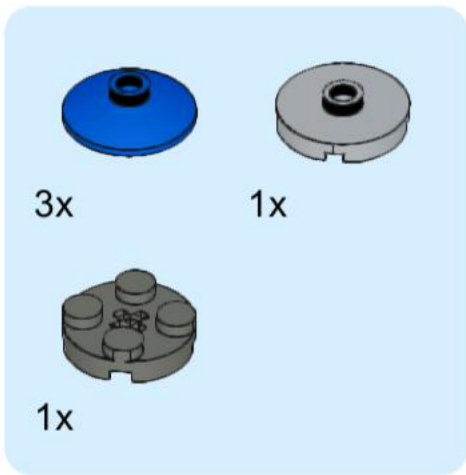


170

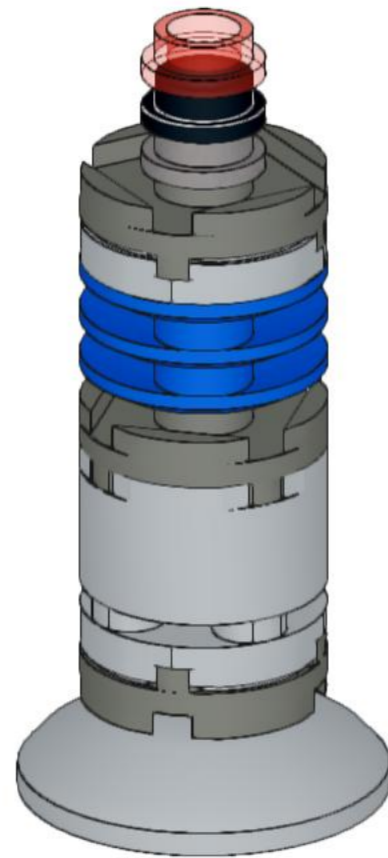
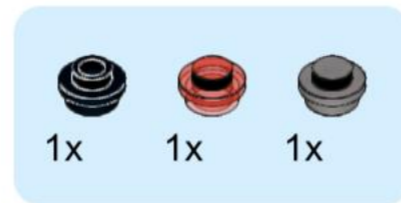


2x

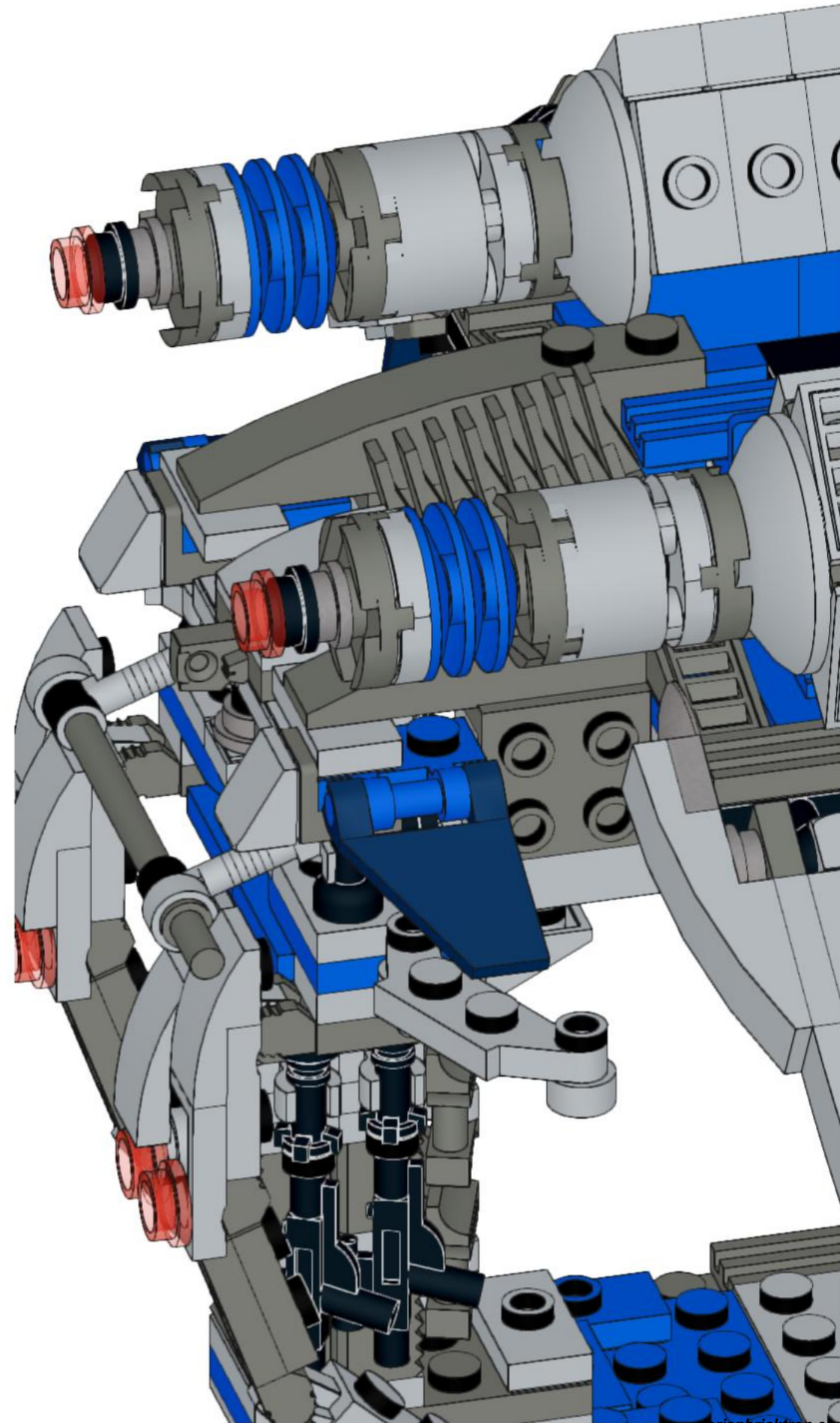
171



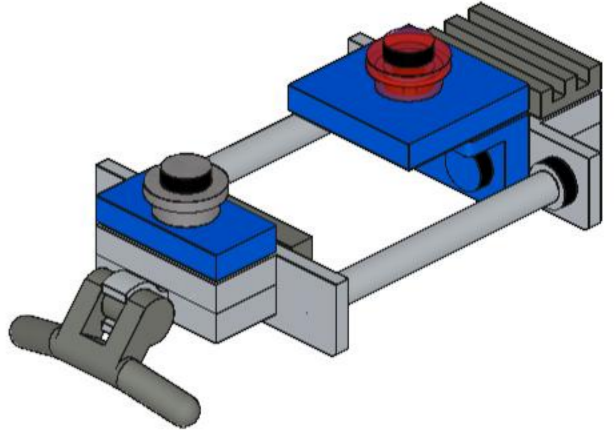
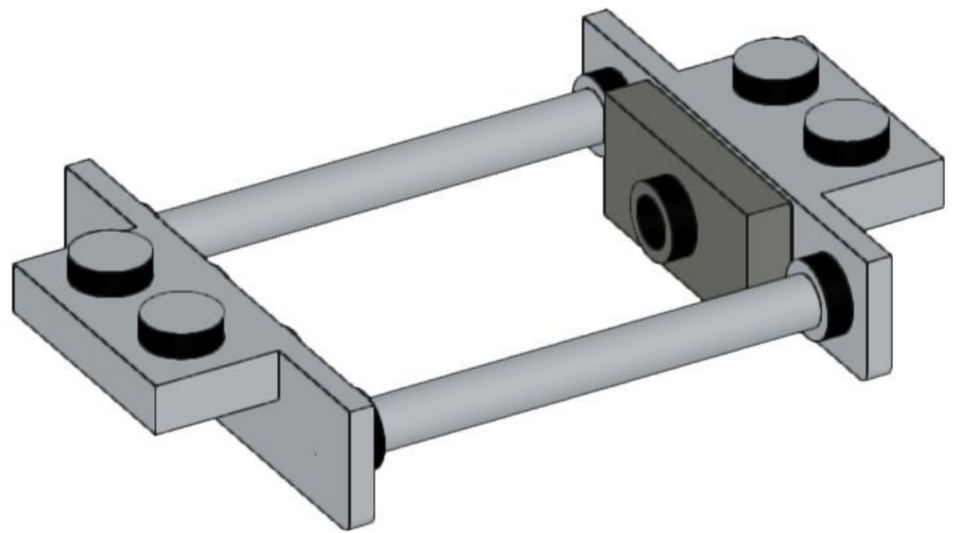
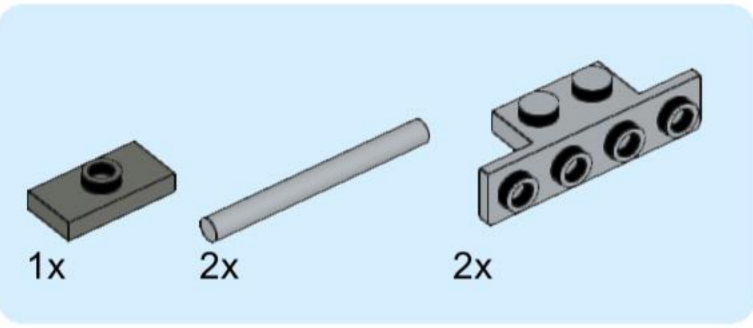
172



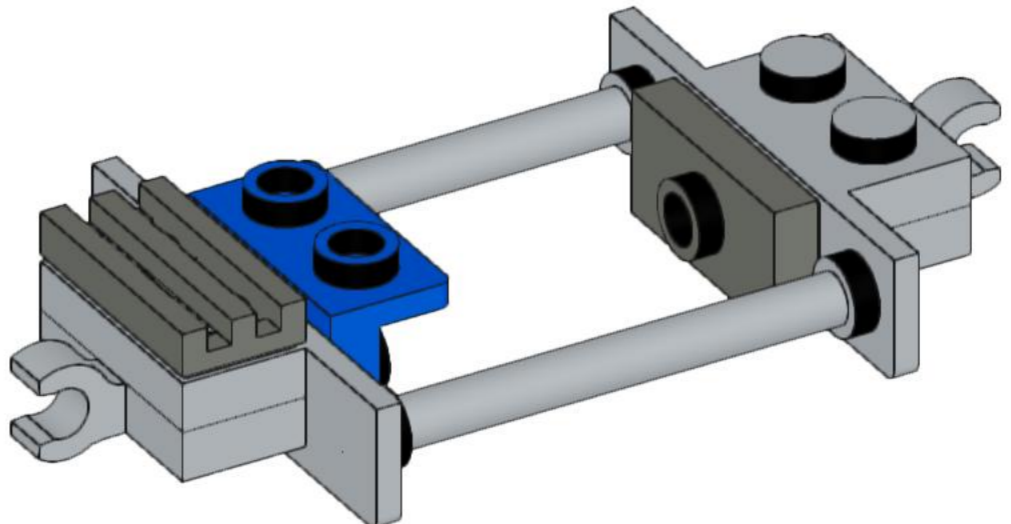
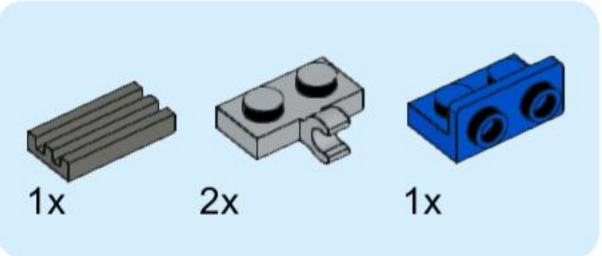
173



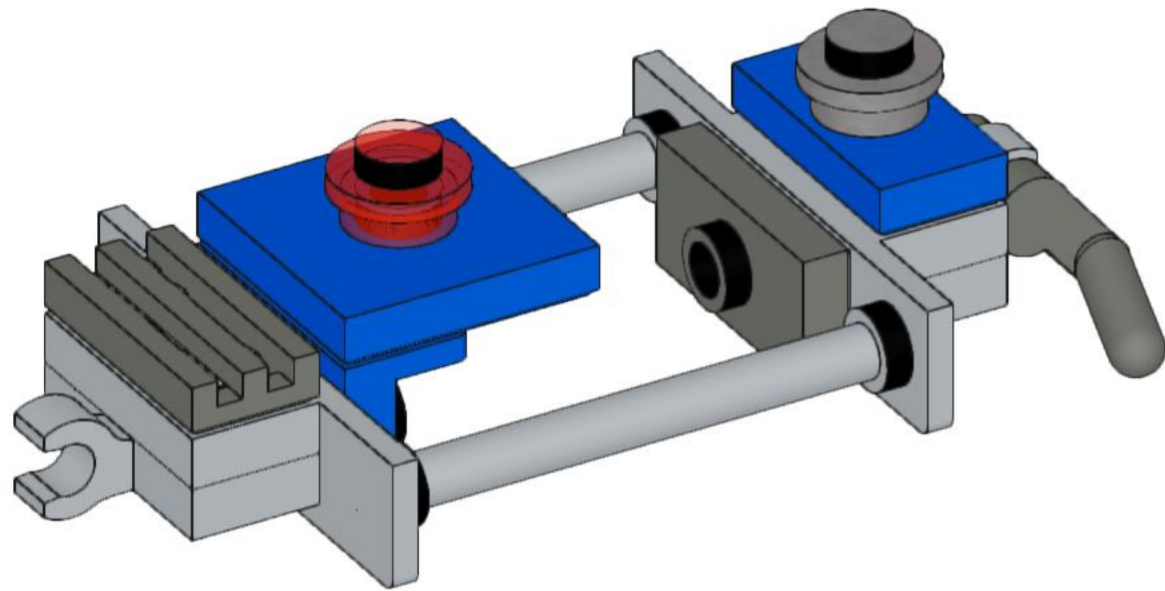
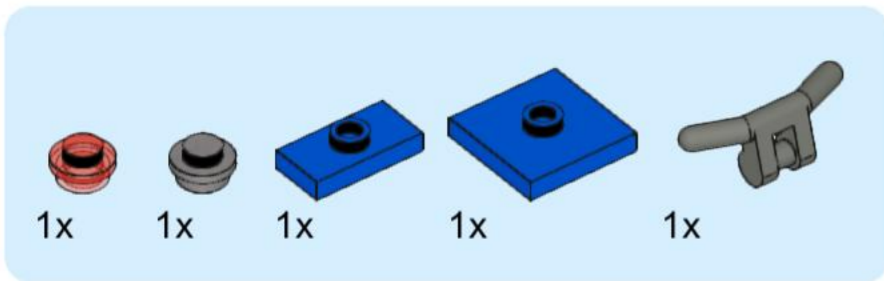
174



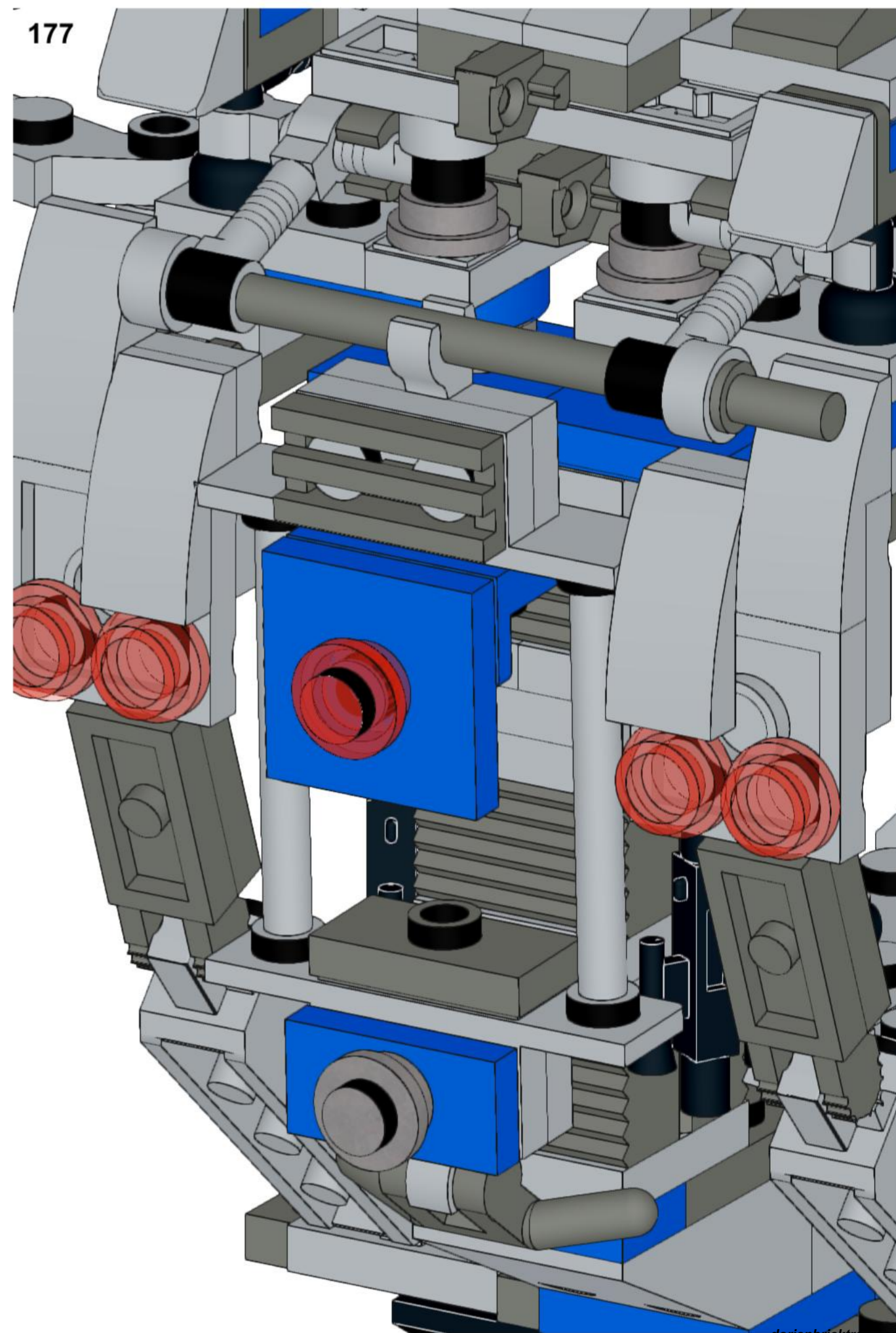
175

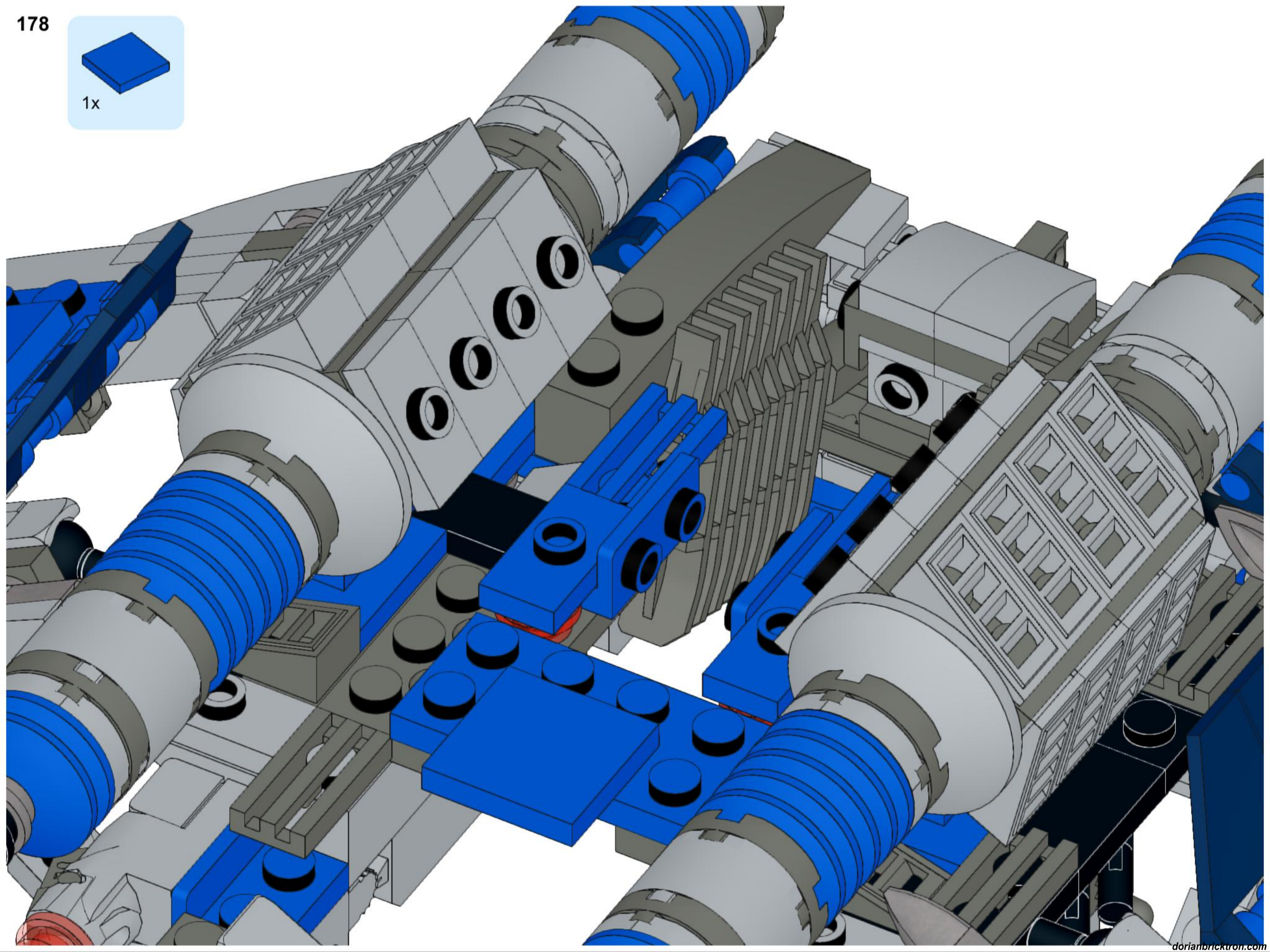
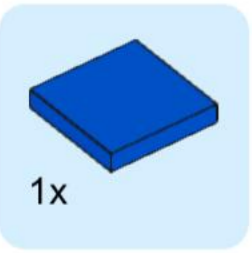


176

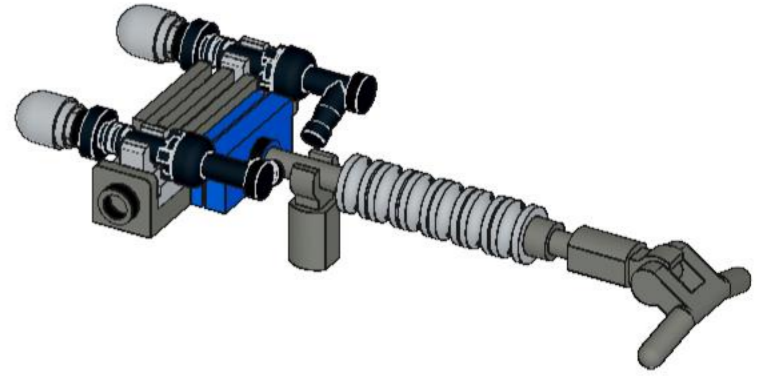
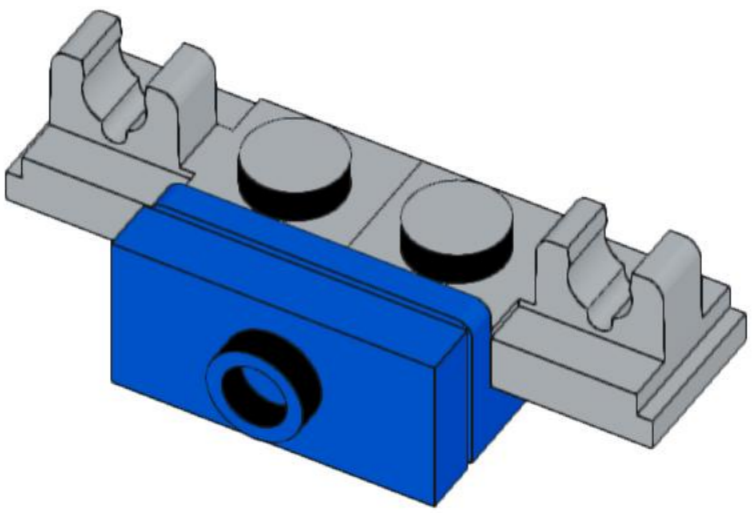
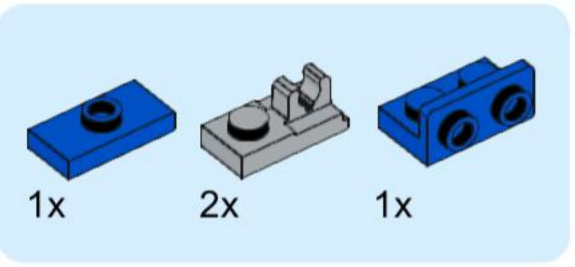


177

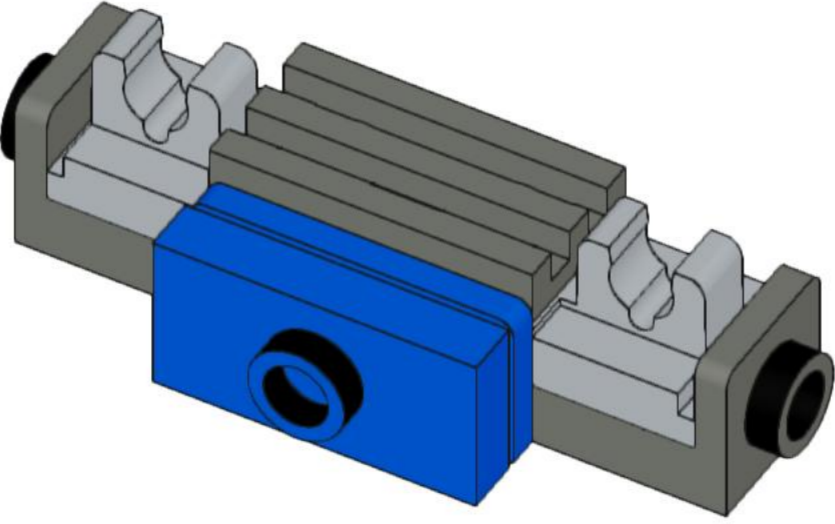
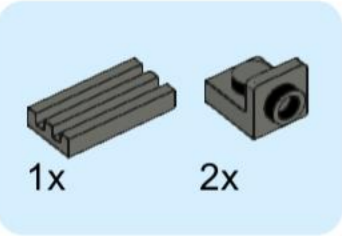




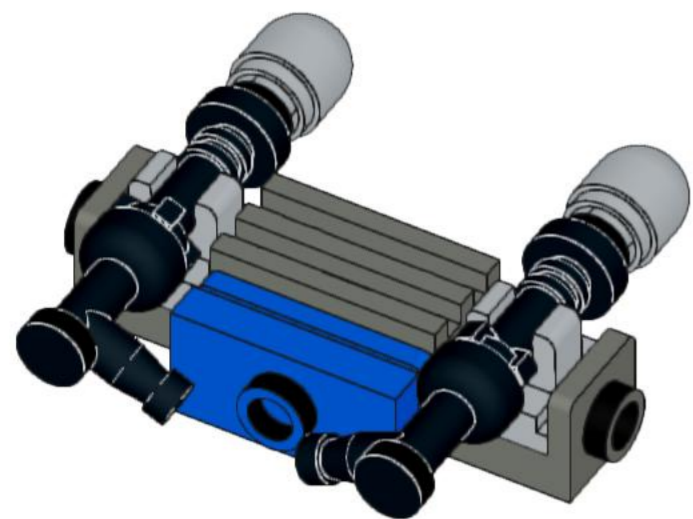
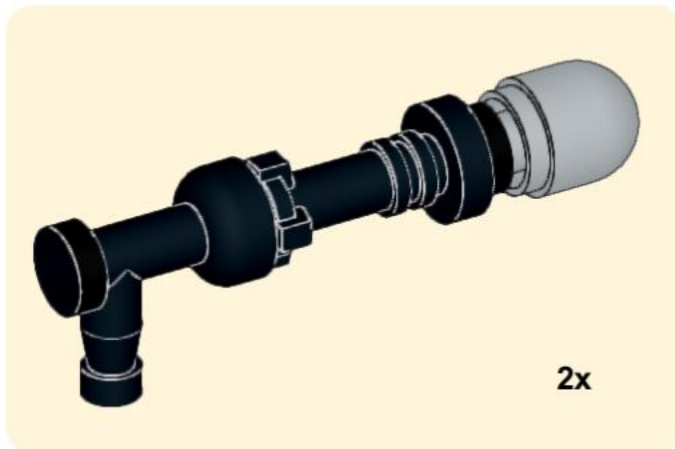
179



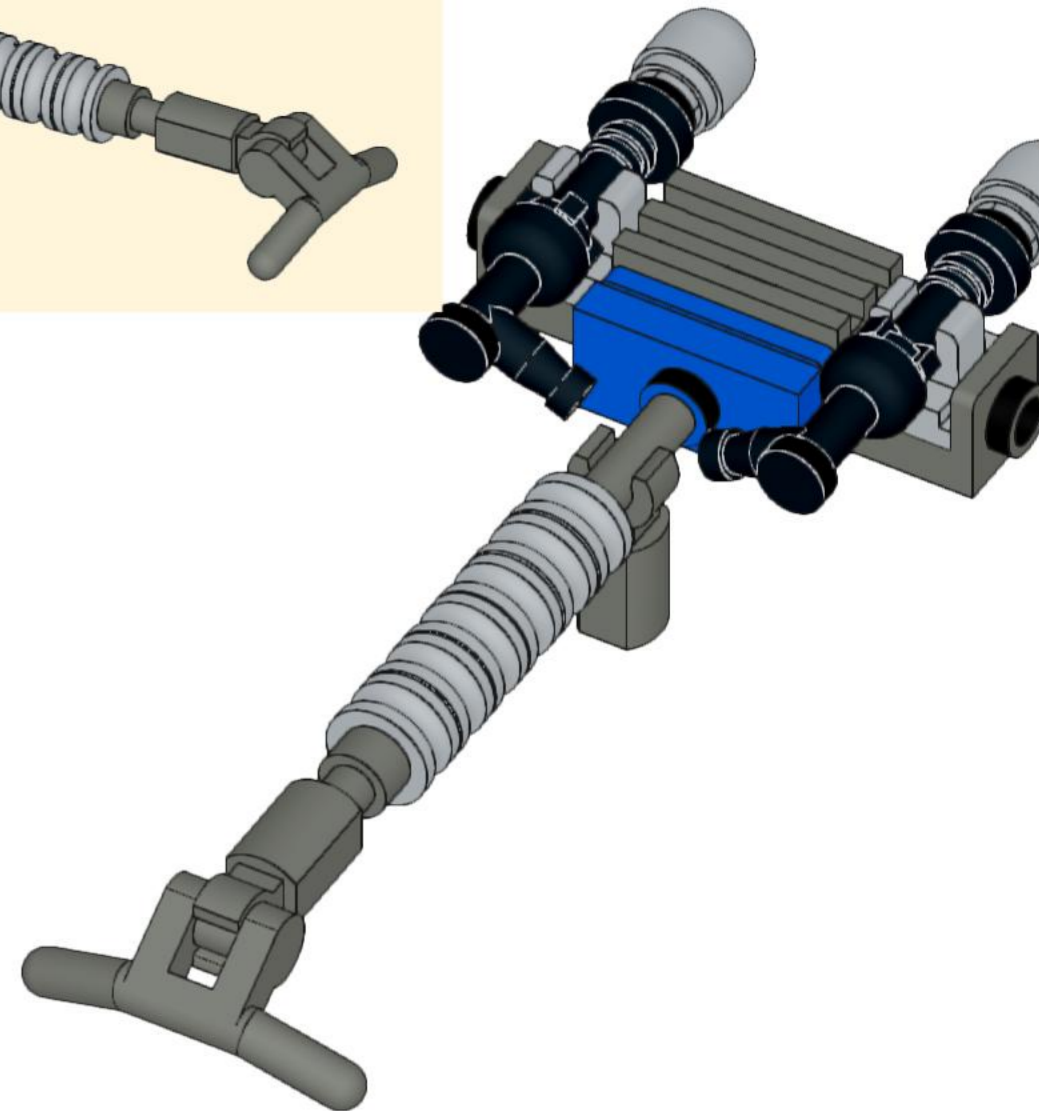
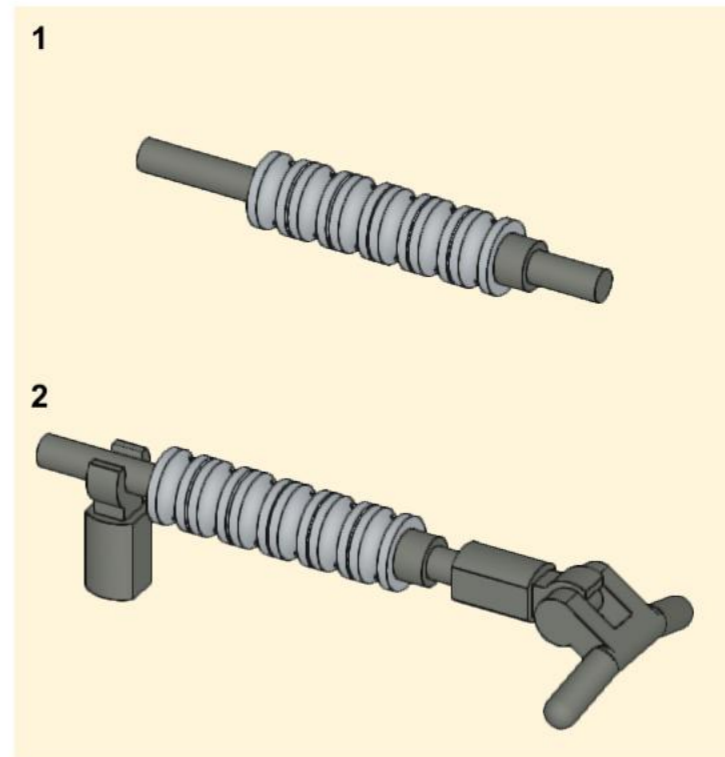
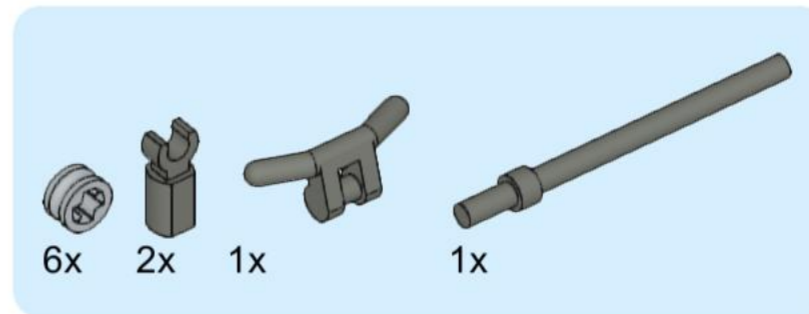
180

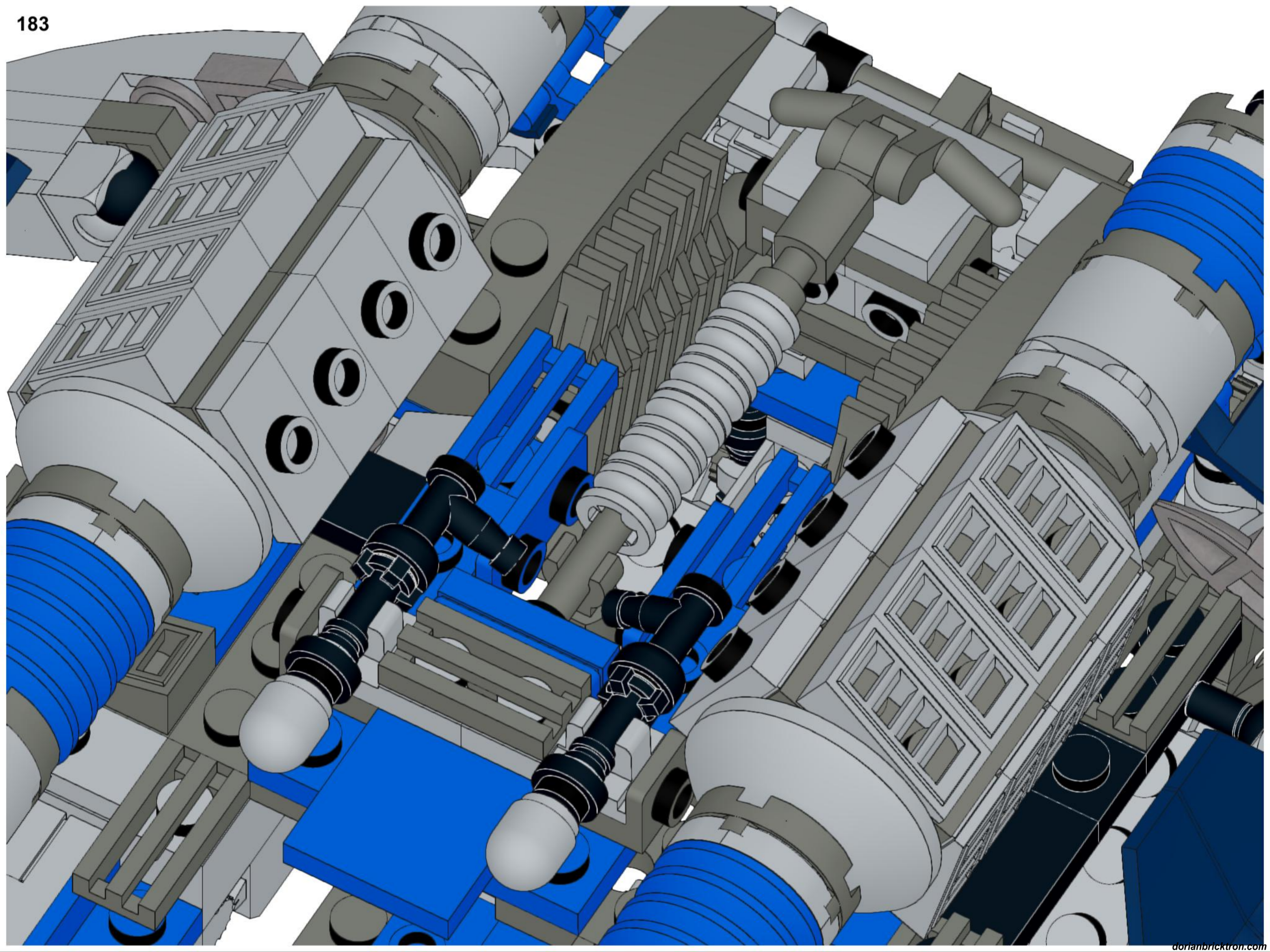


181

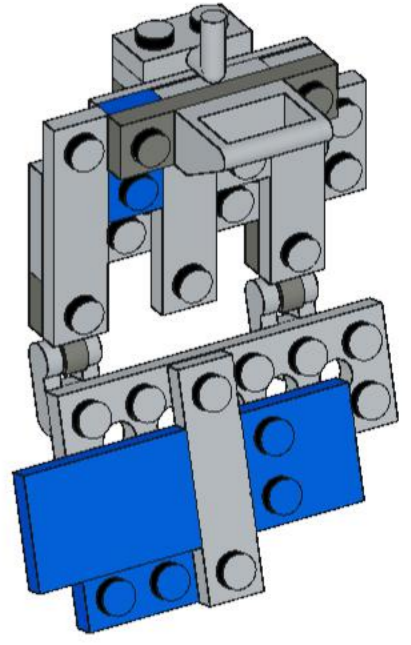
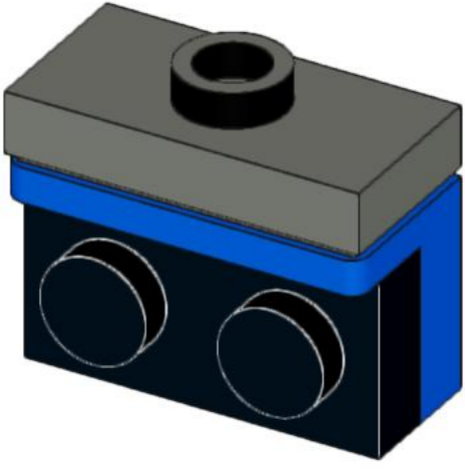
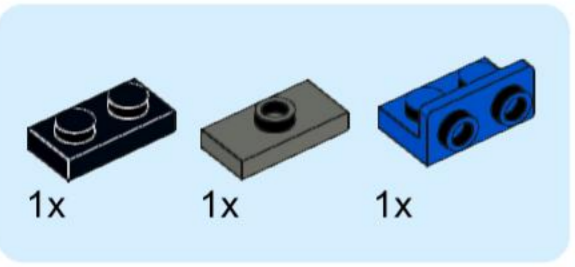


182

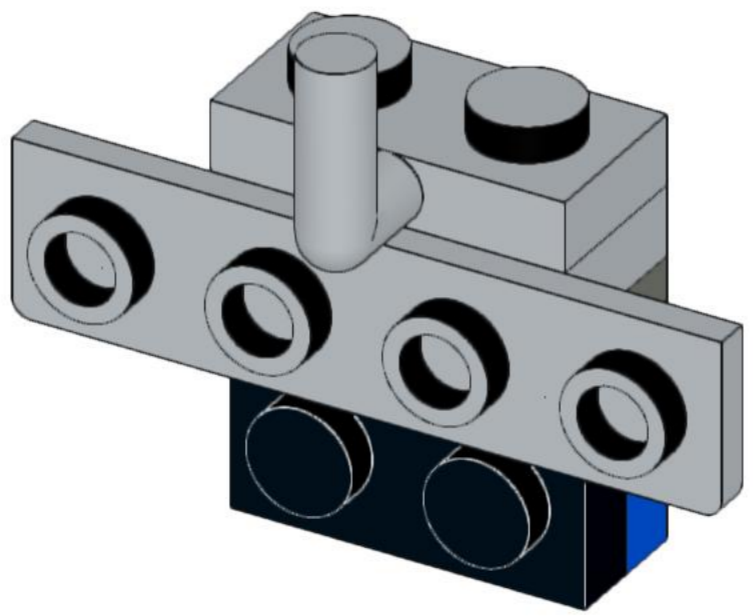
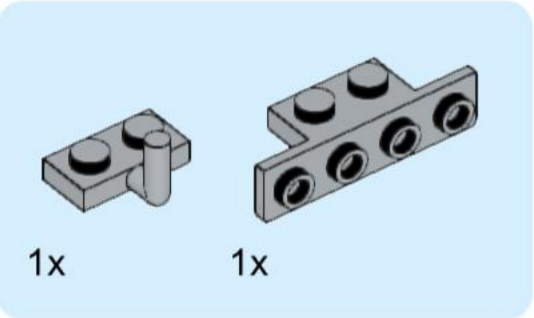




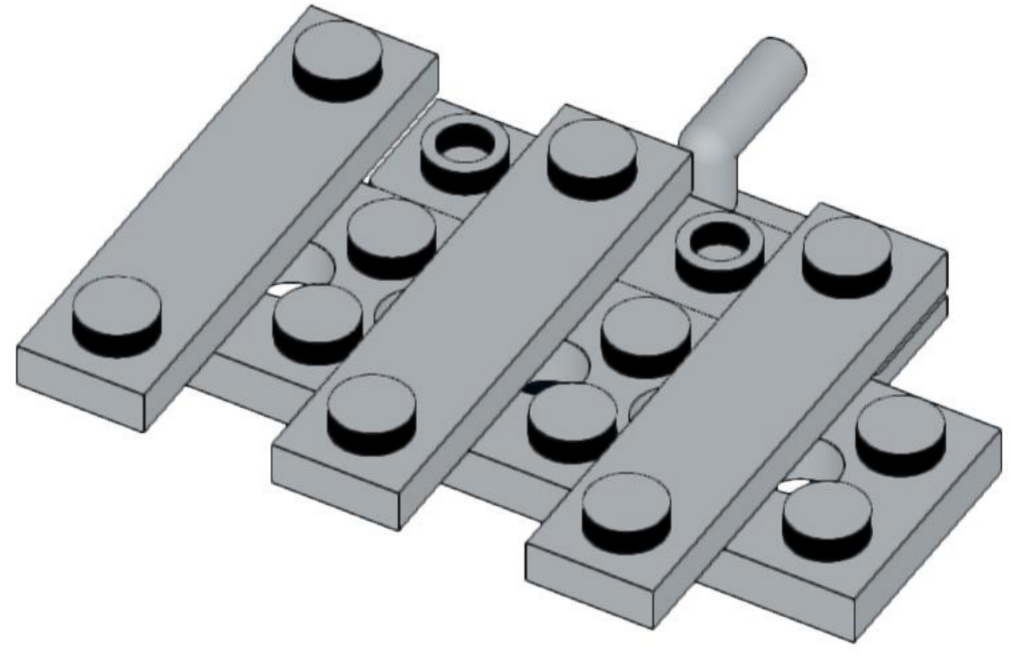
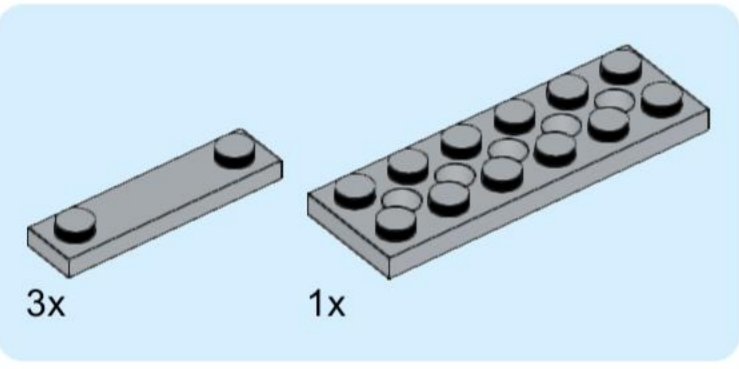
184



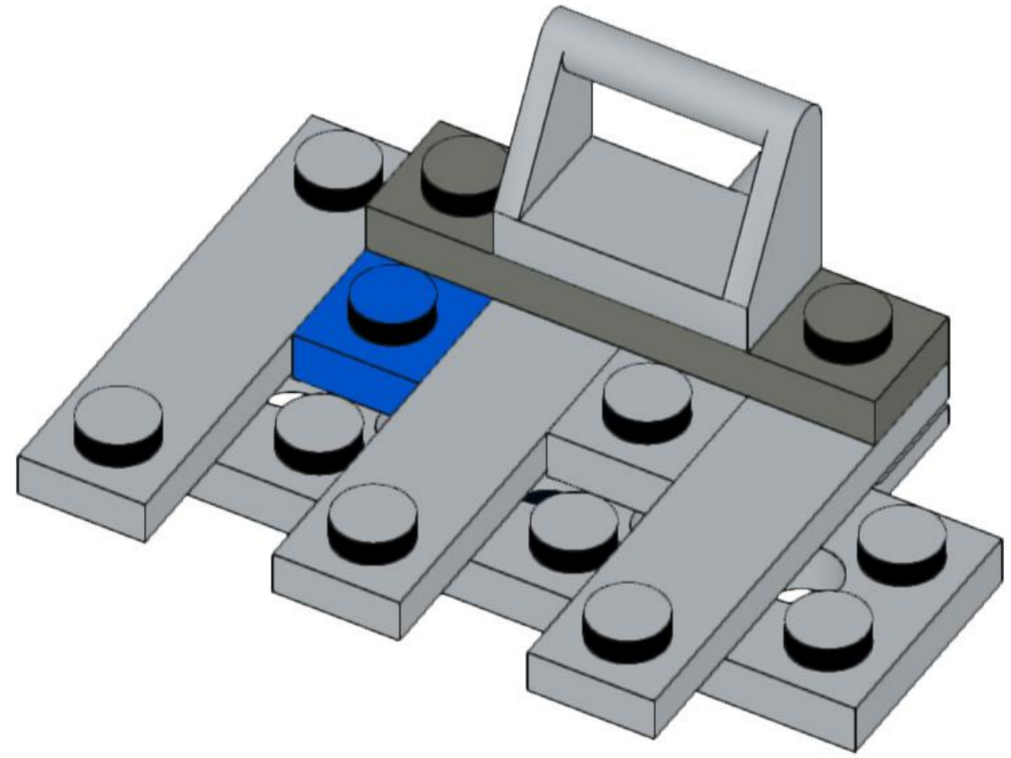
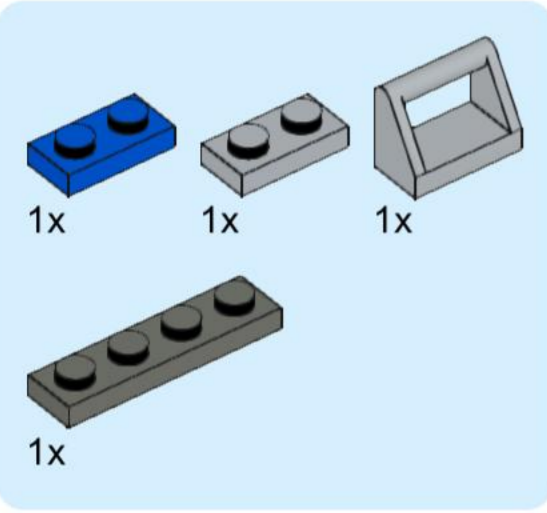
185



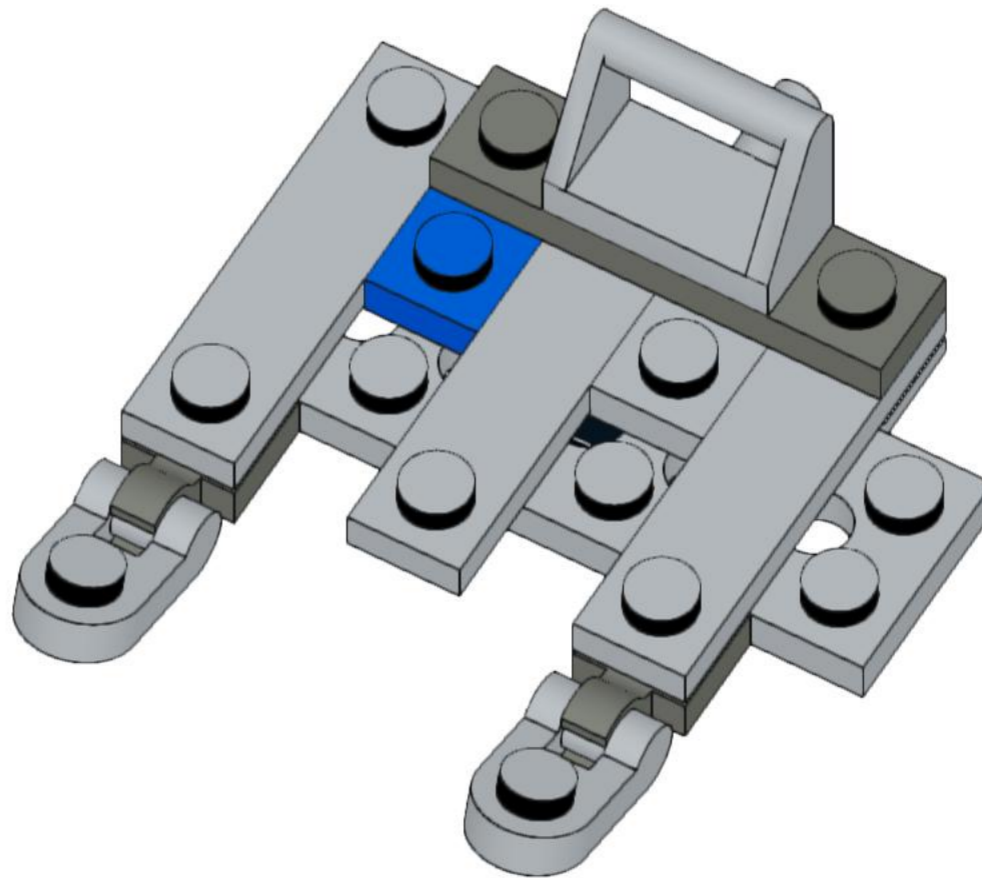
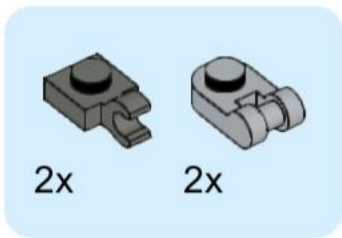
186



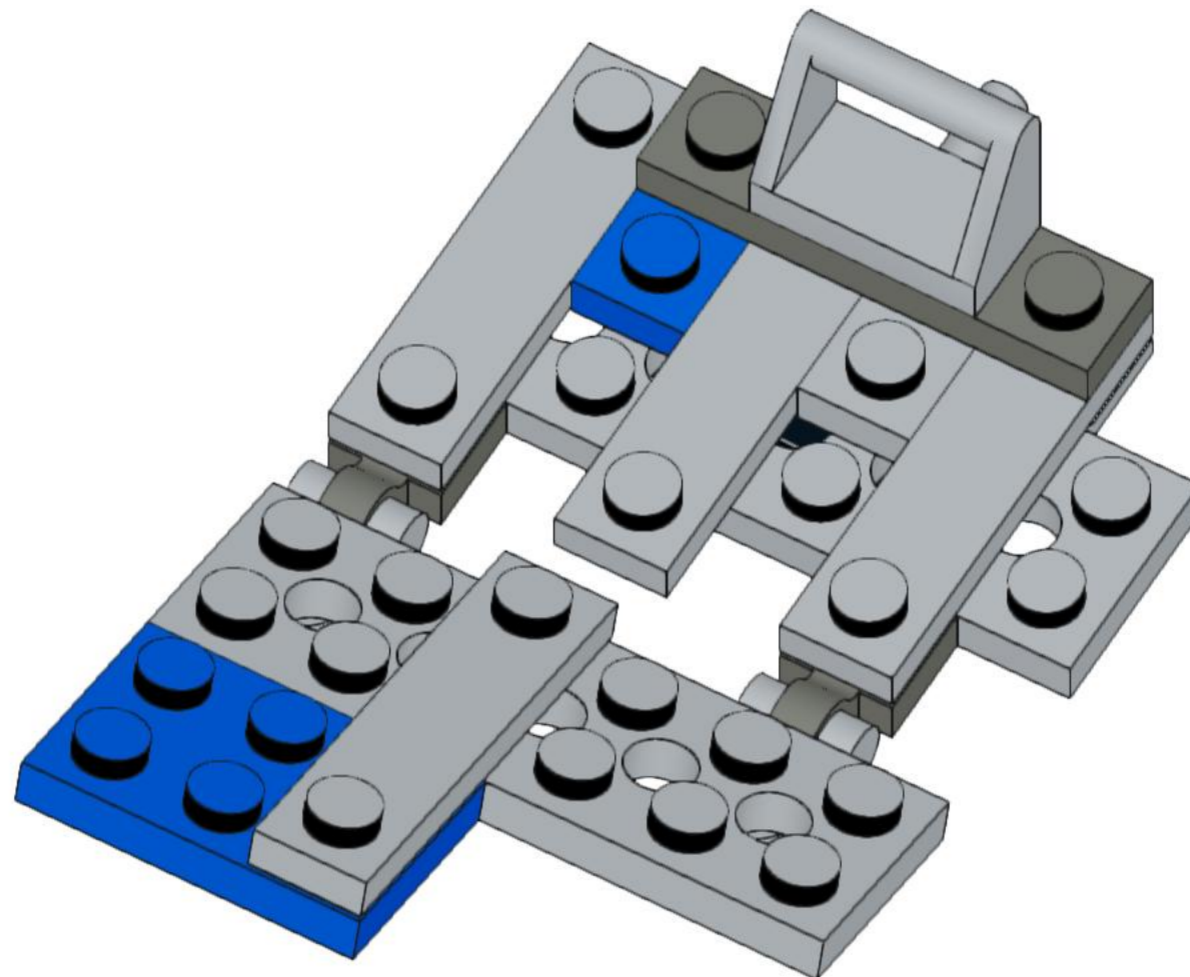
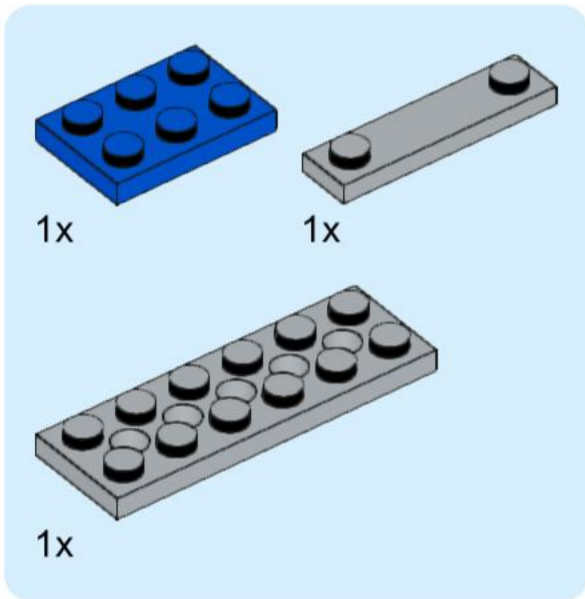
187



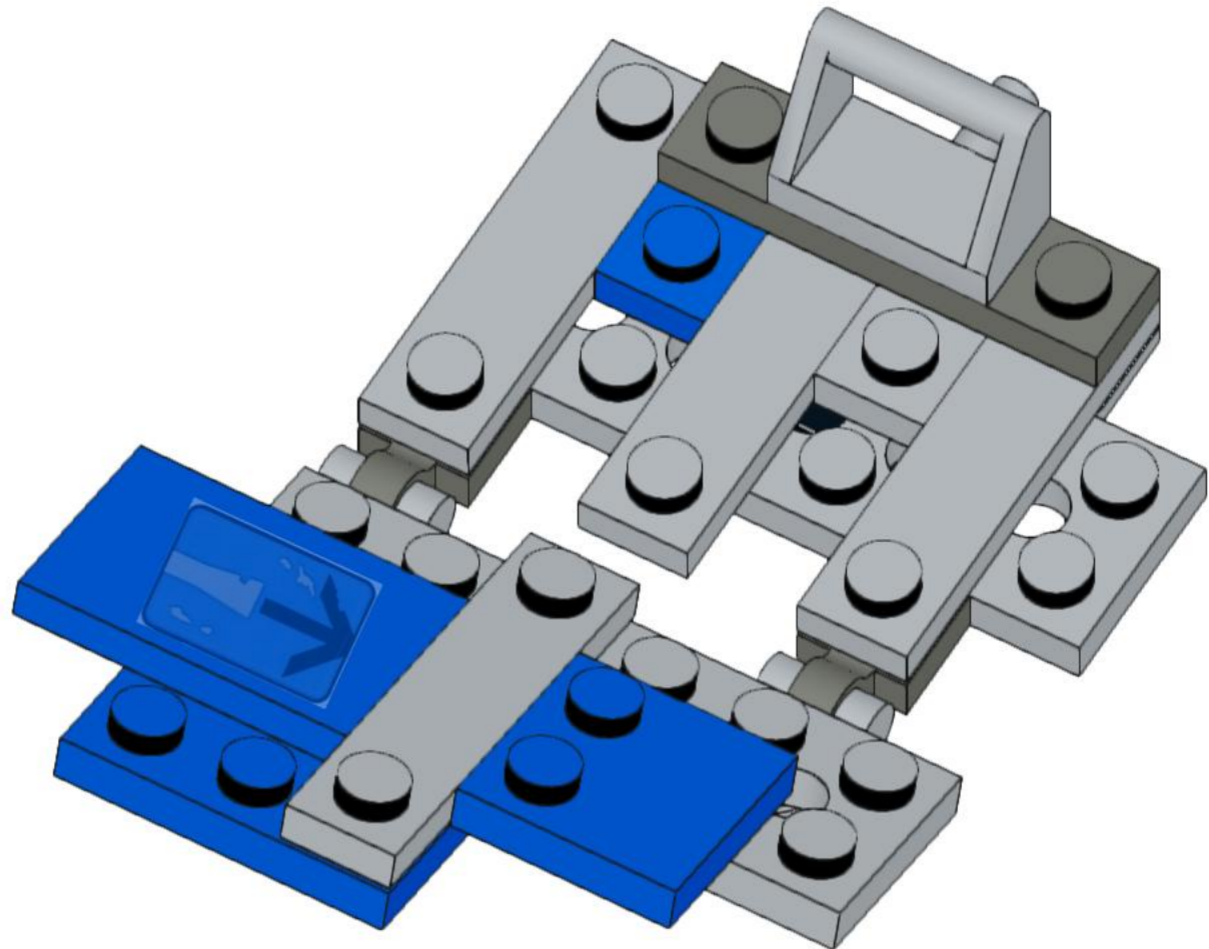
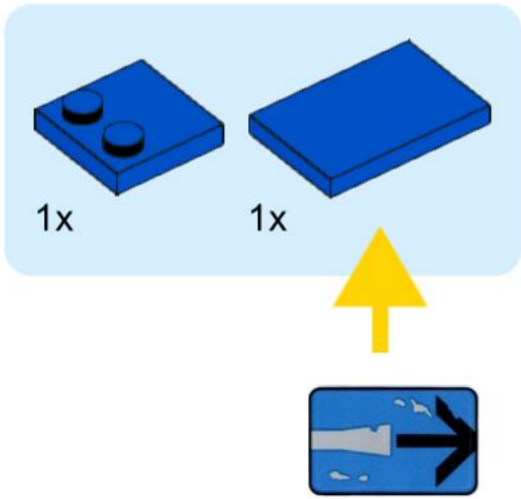
188



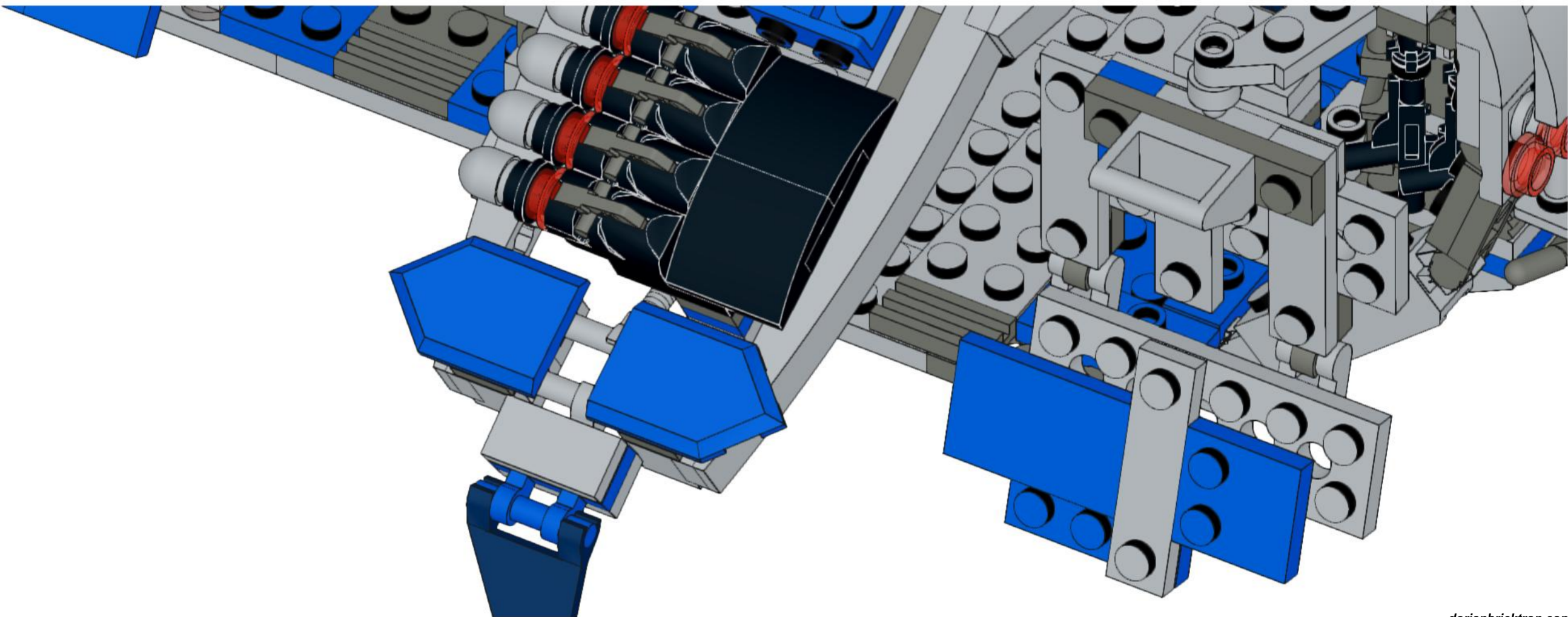
189



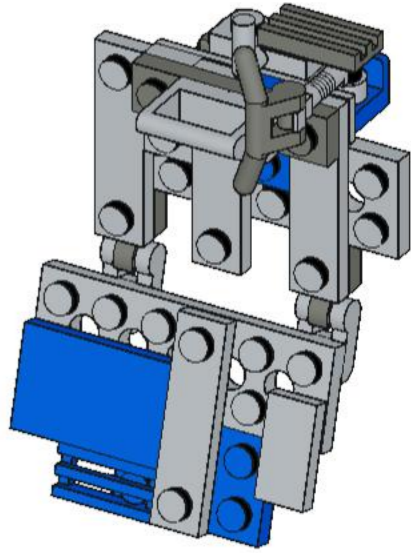
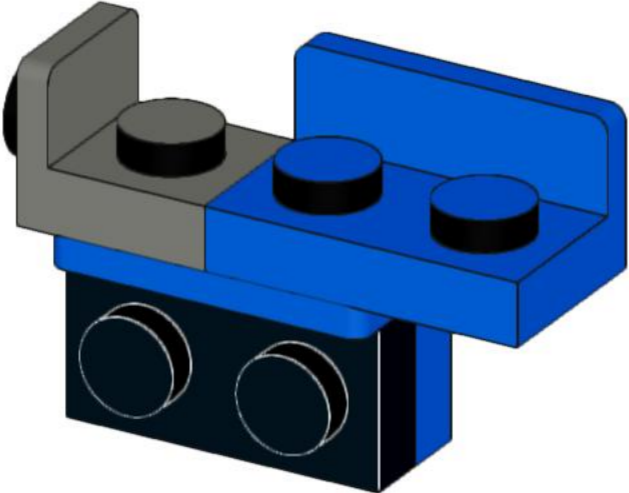
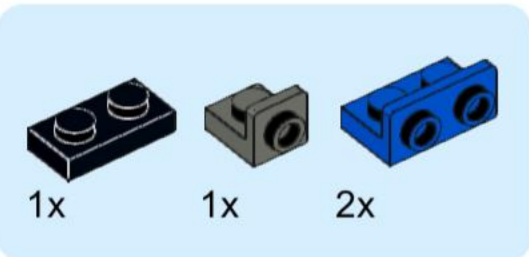
190



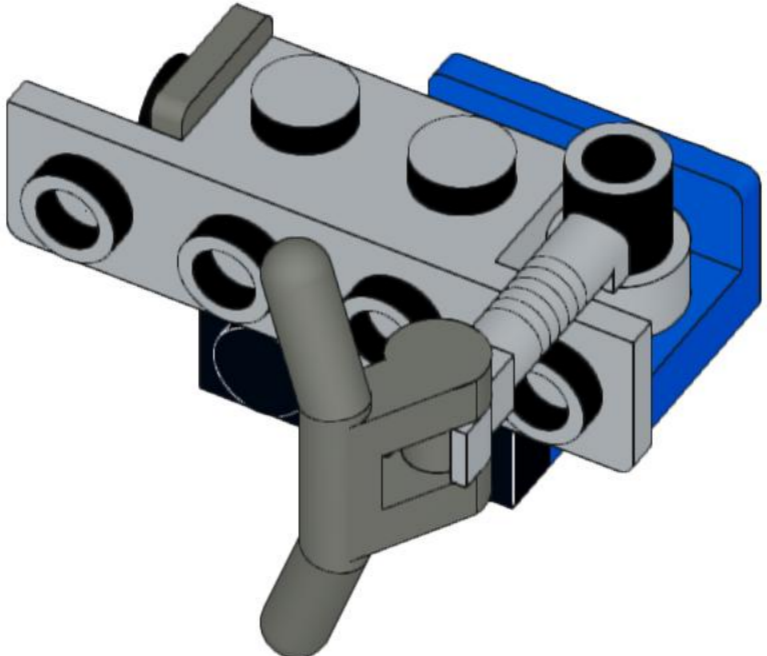
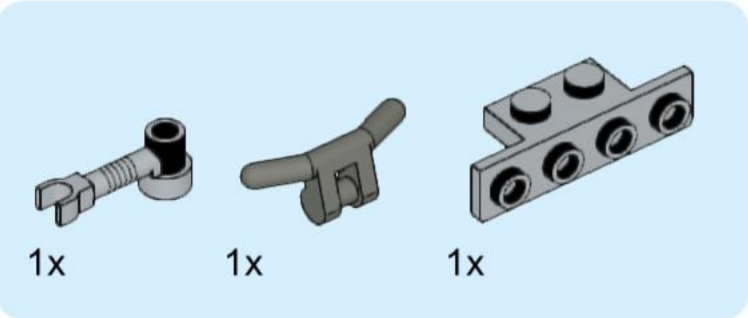
191



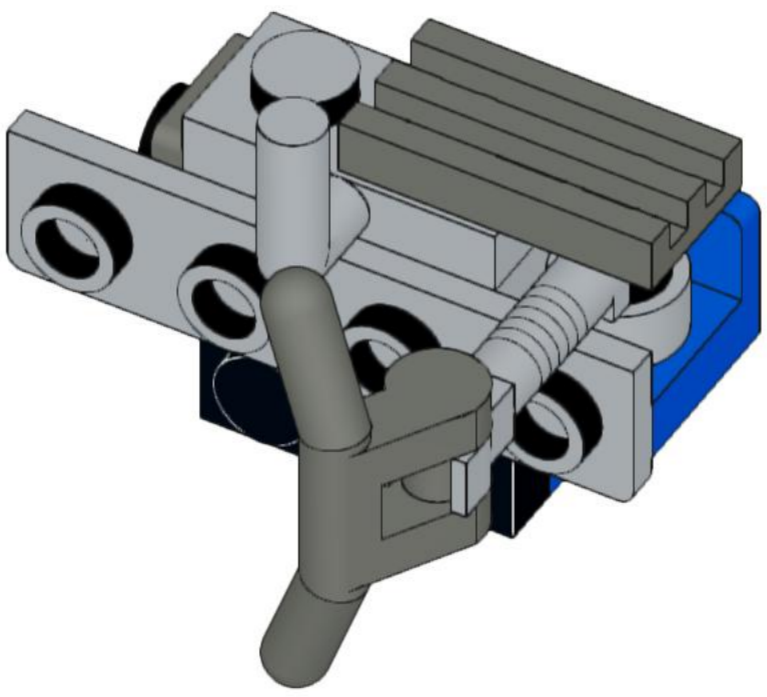
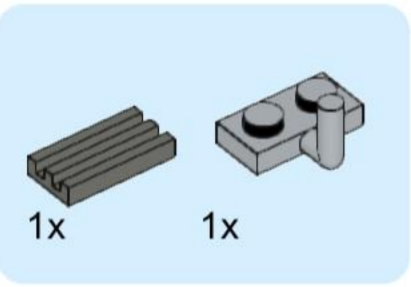
192



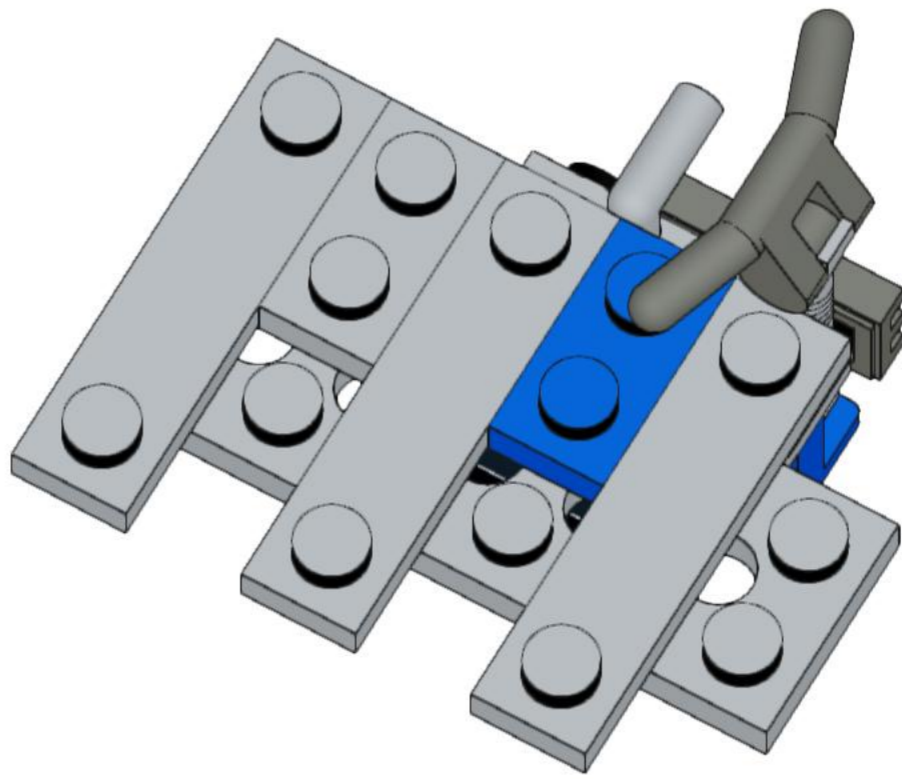
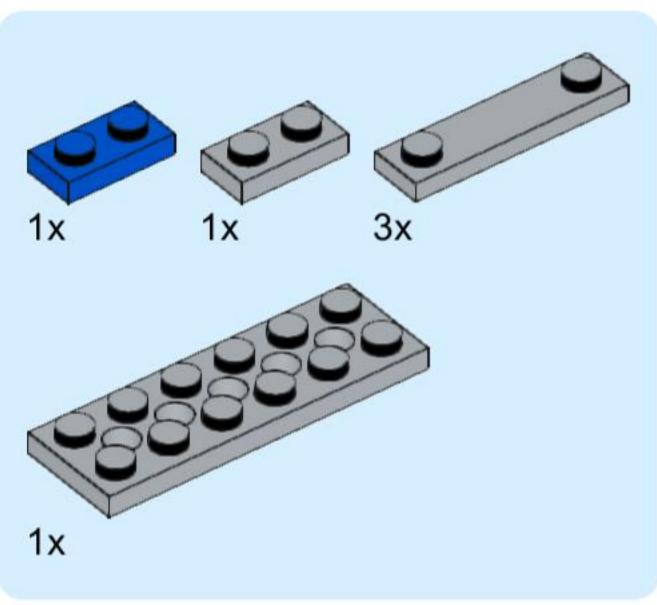
193



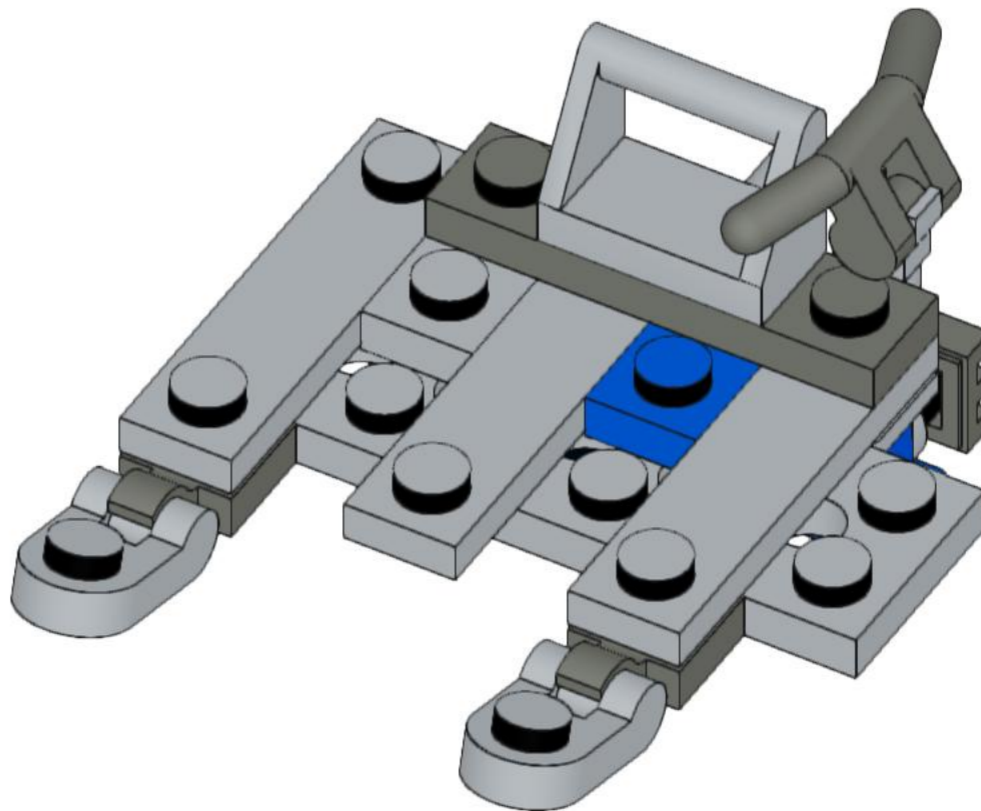
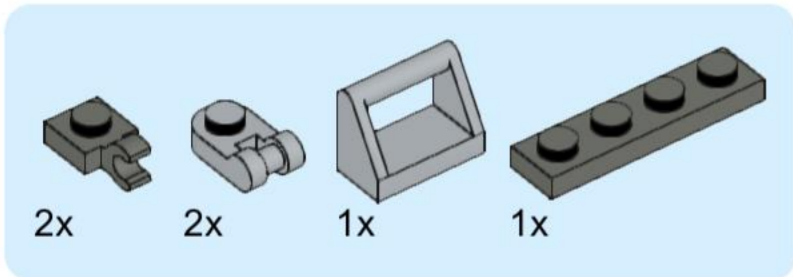
194



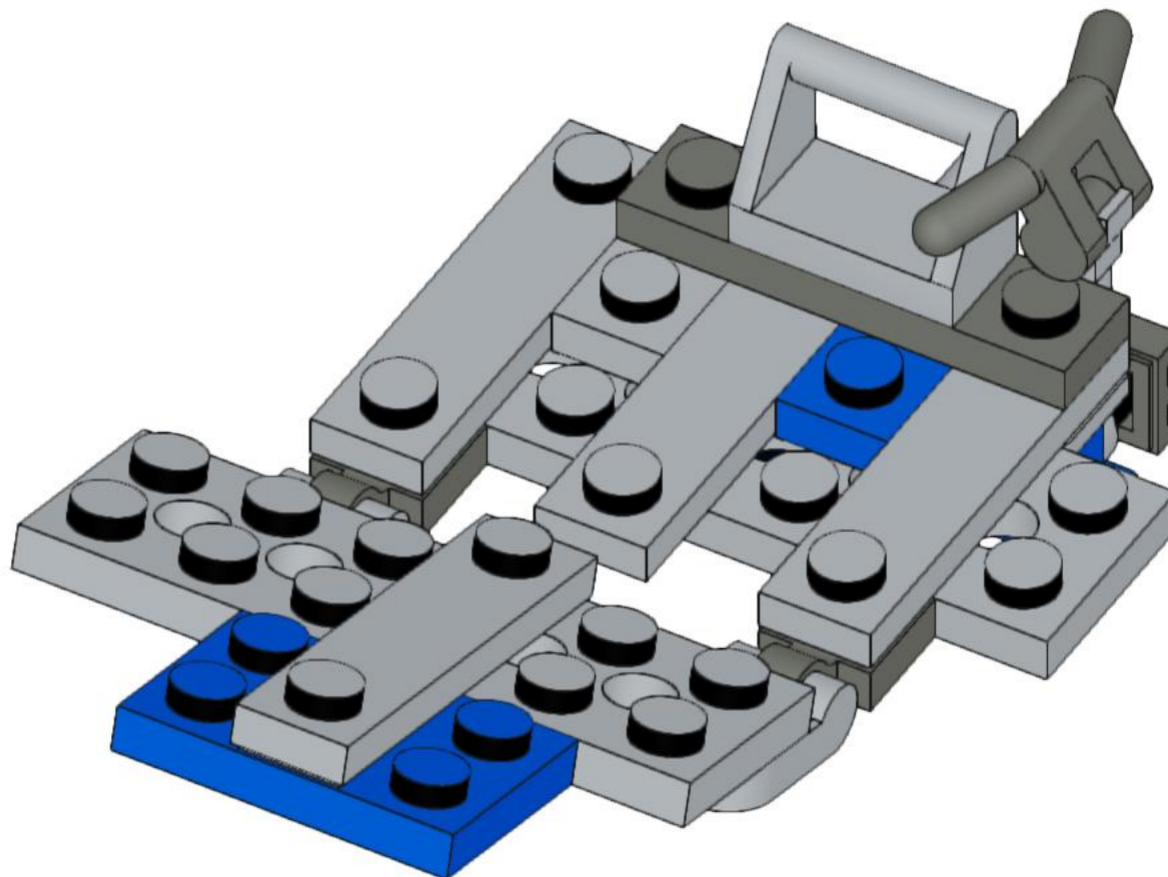
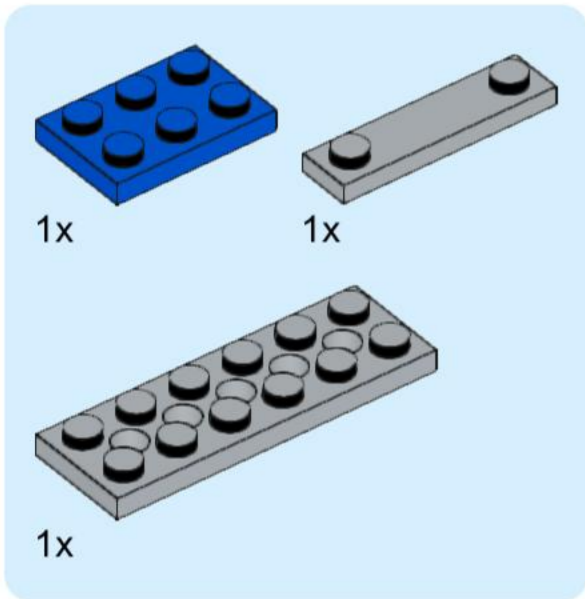
195



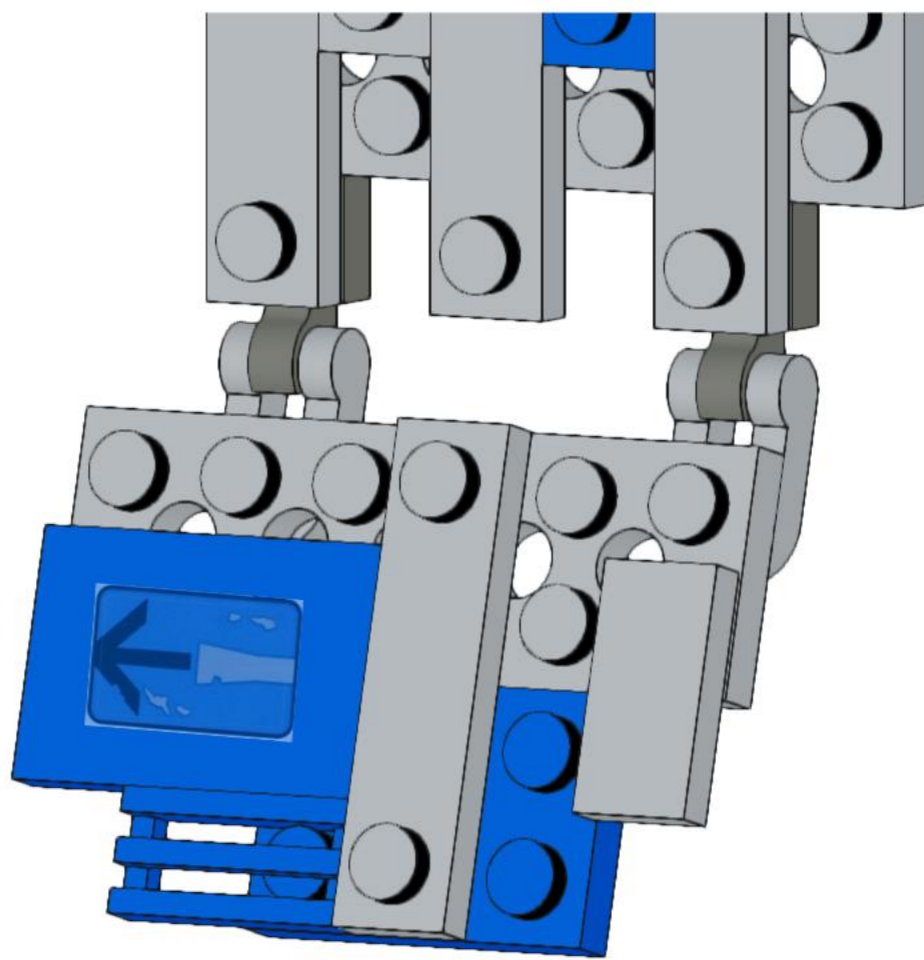
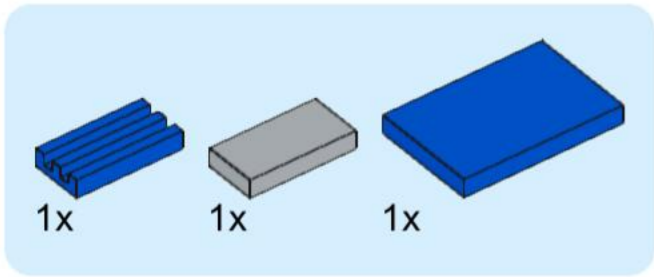
196



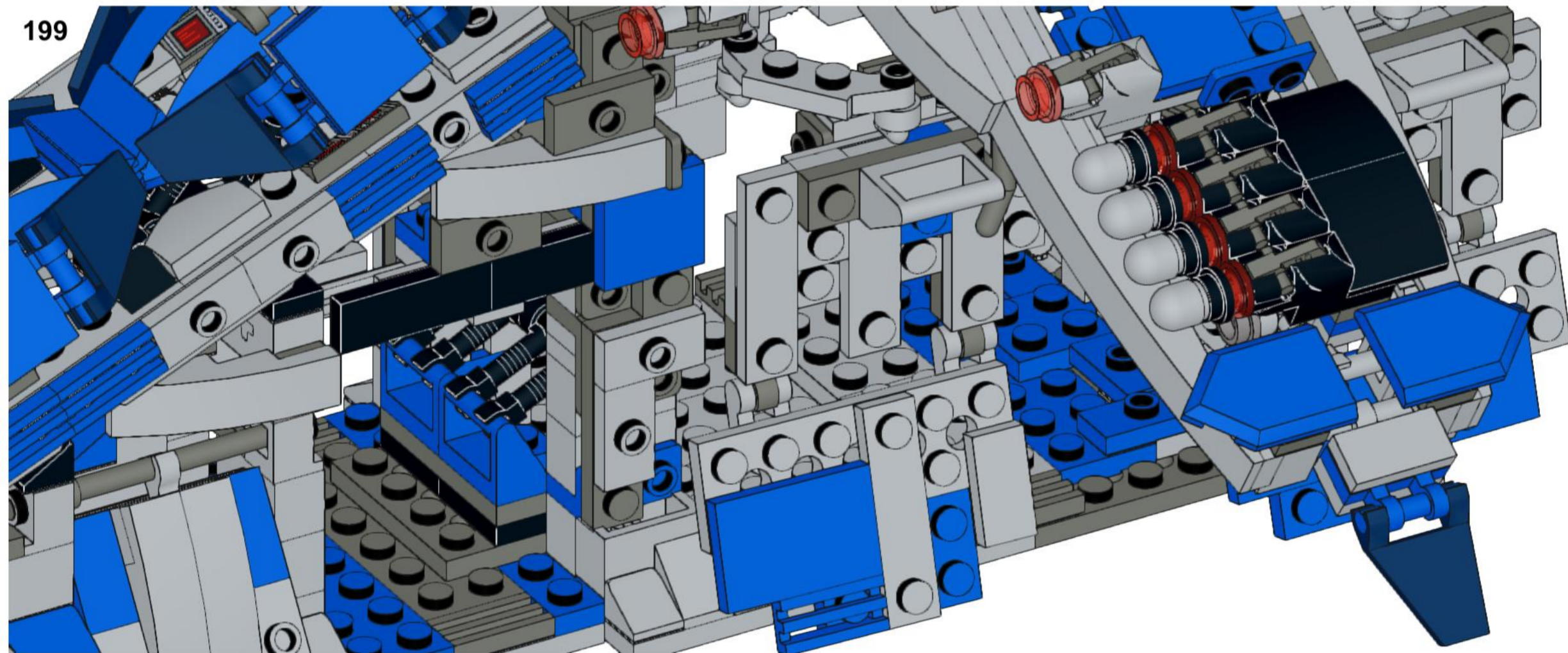
197



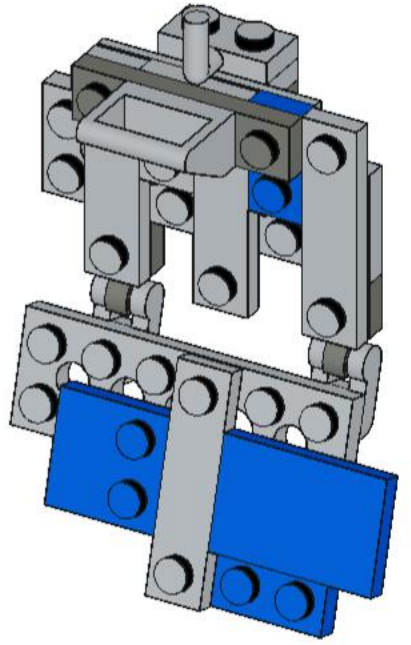
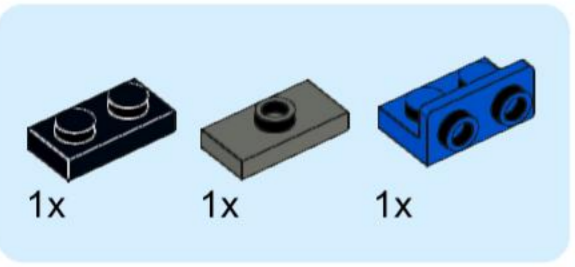
198



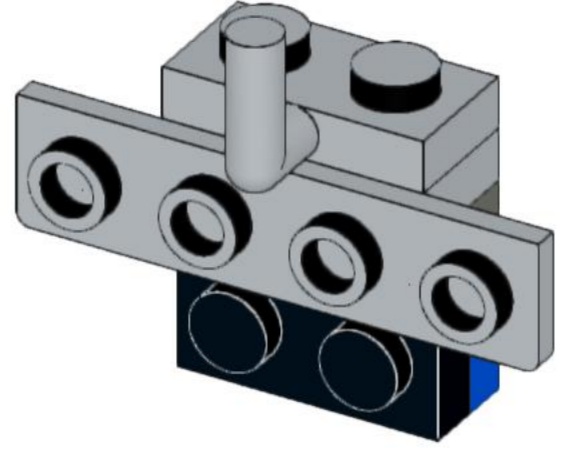
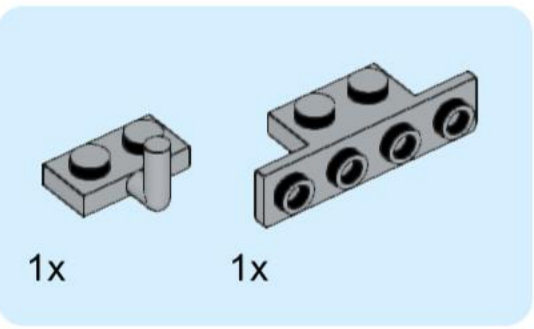
199



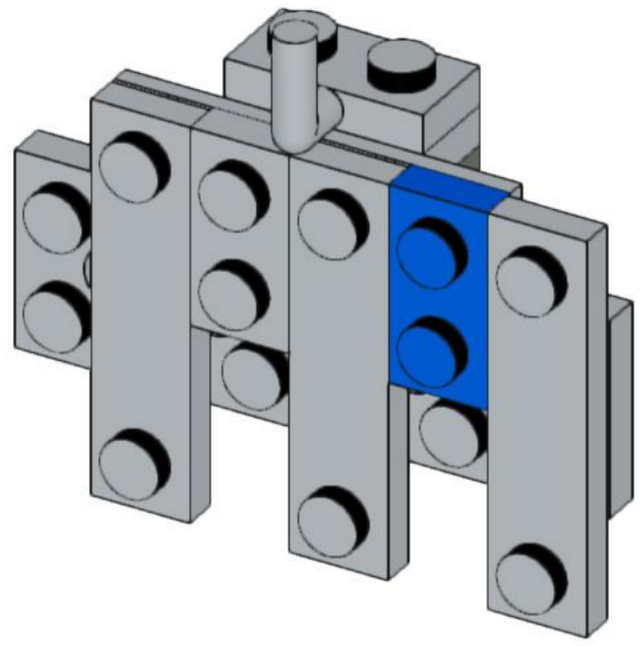
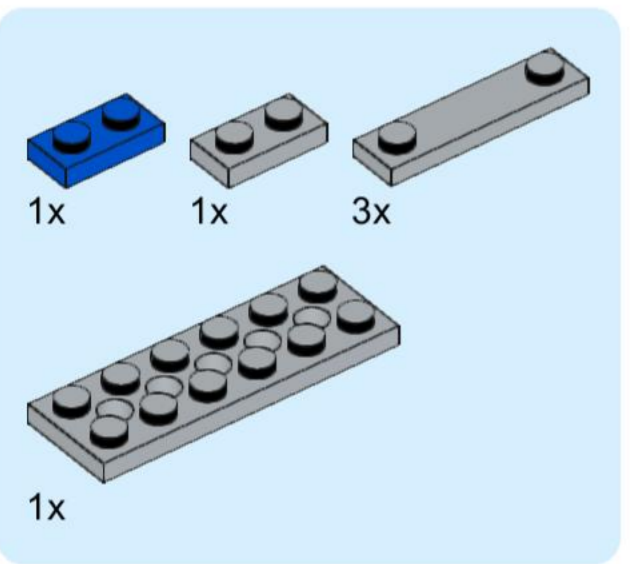
200

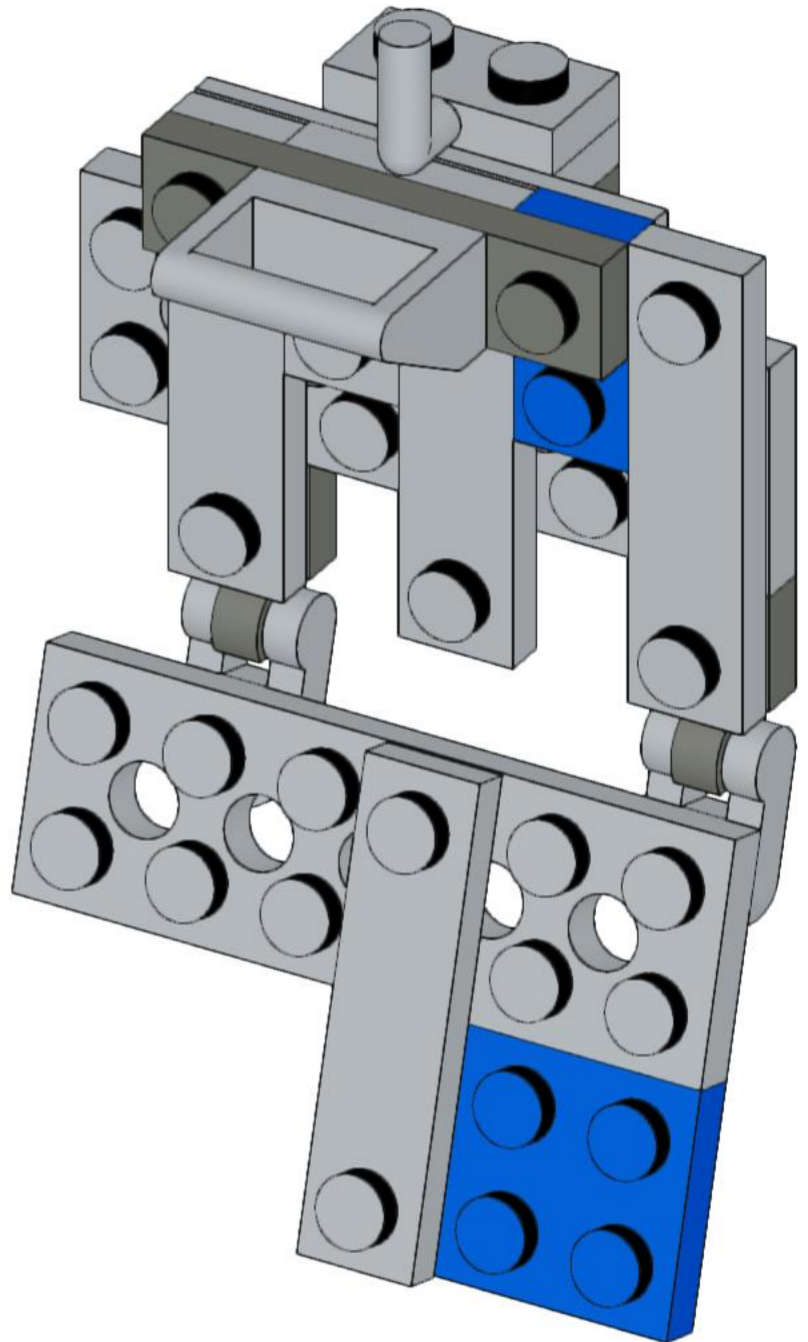
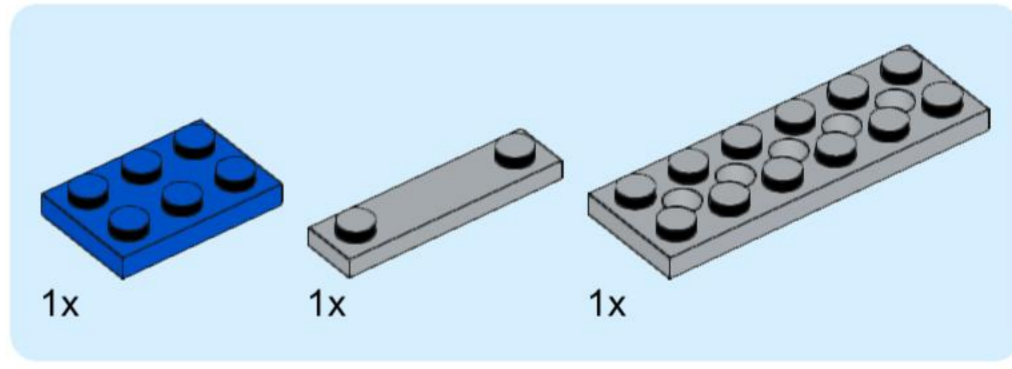
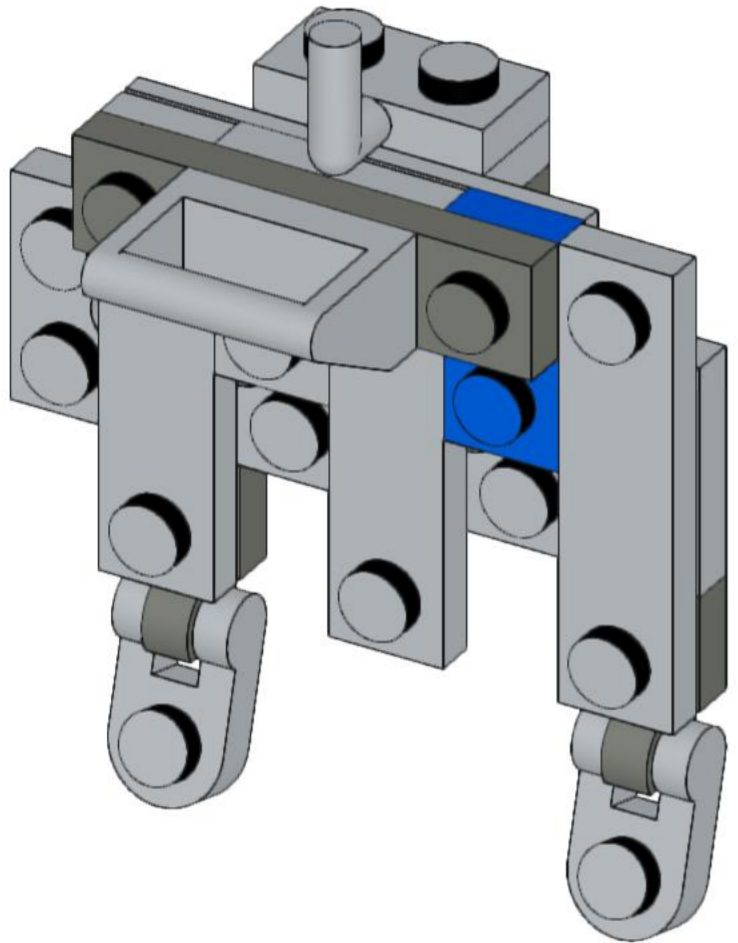
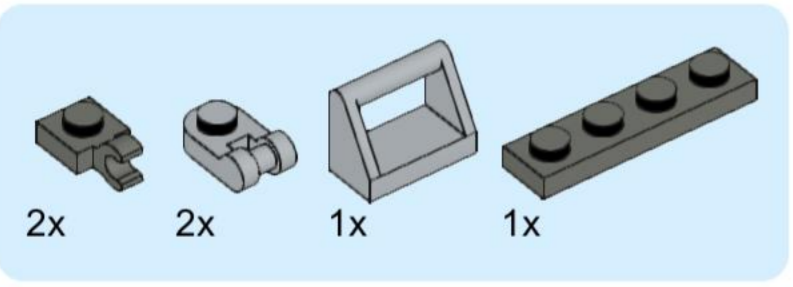


201

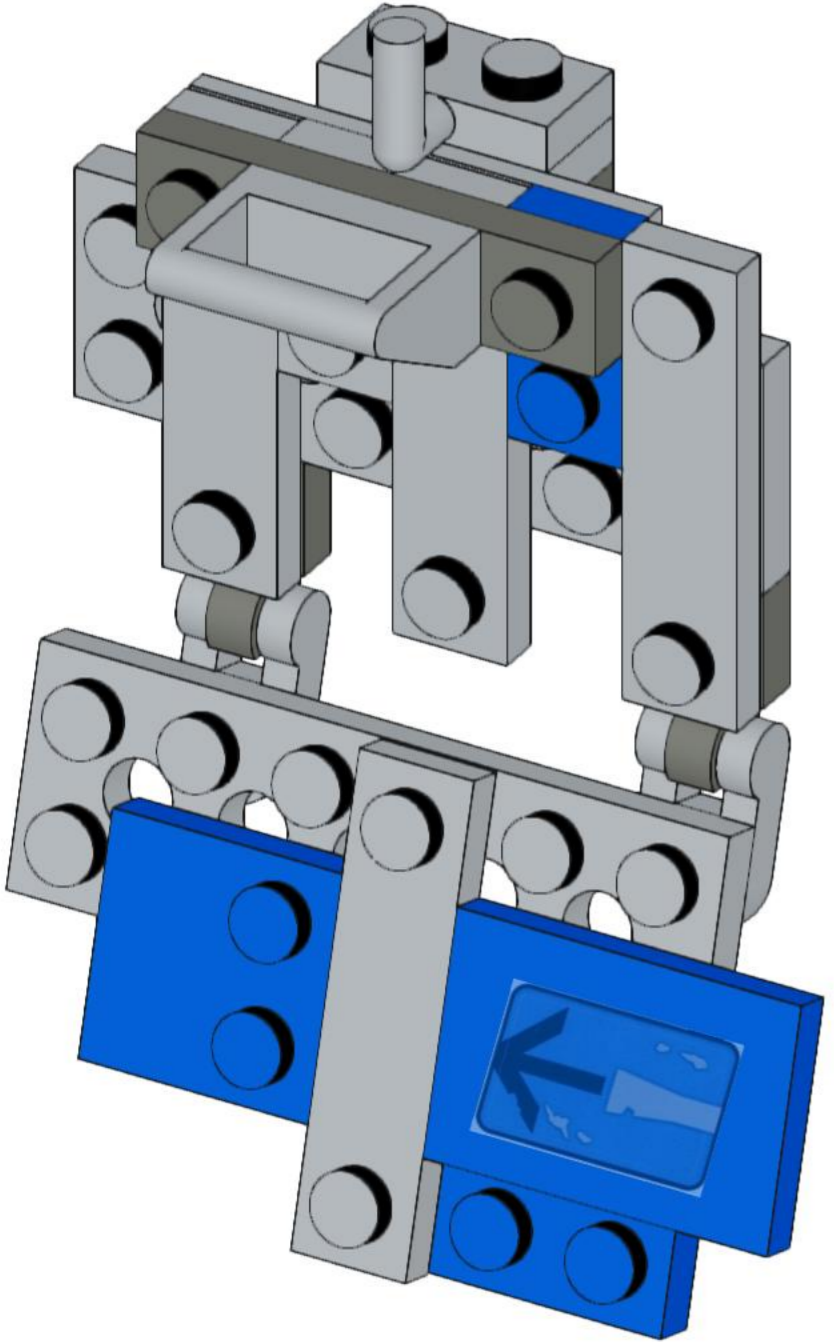
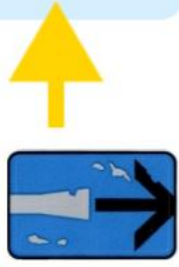
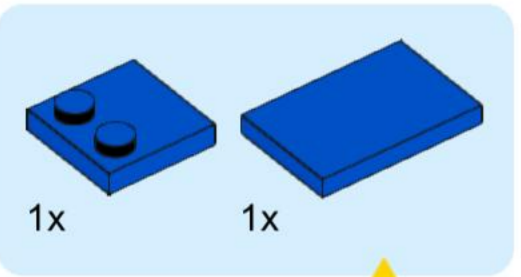


202

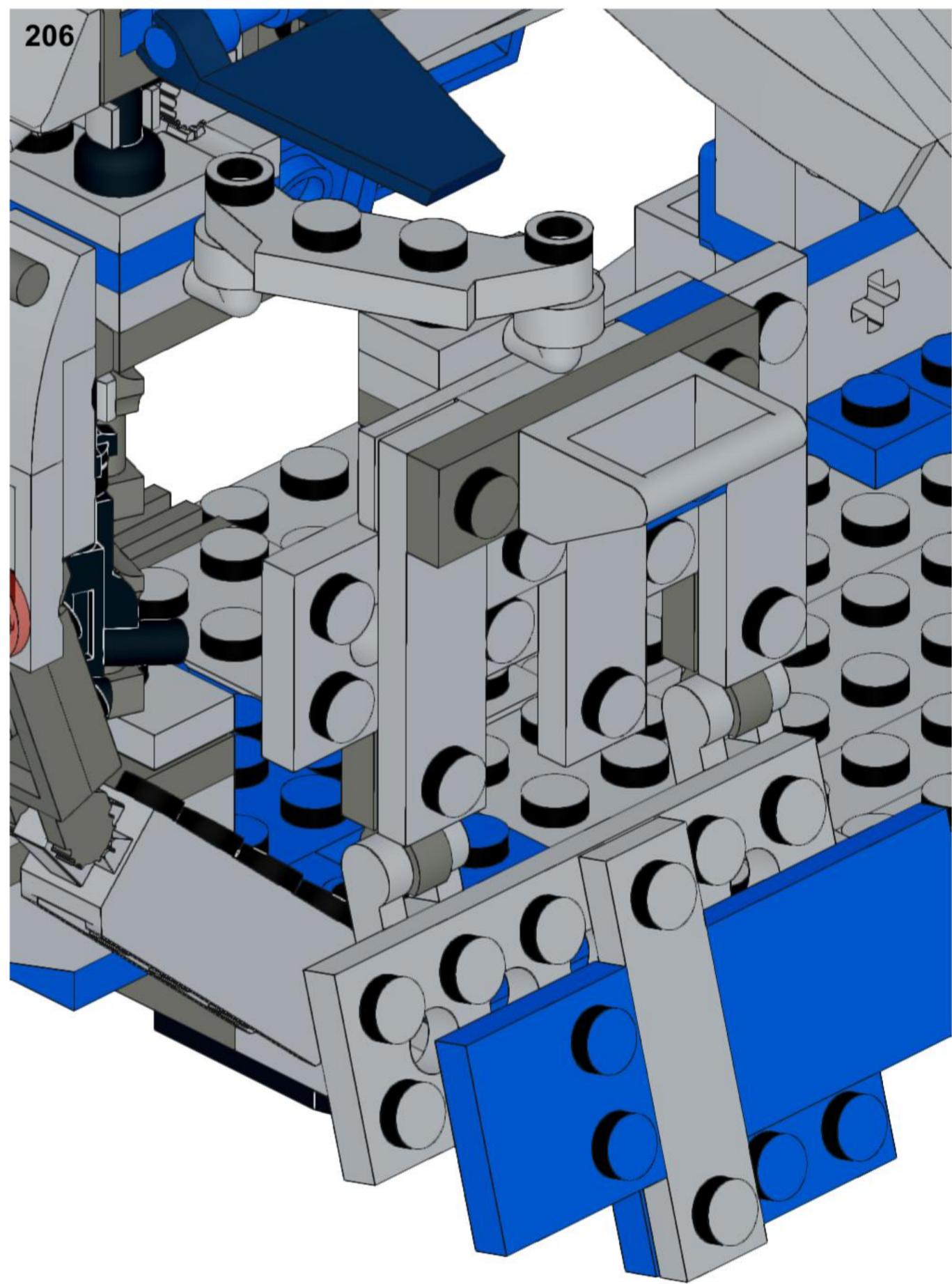




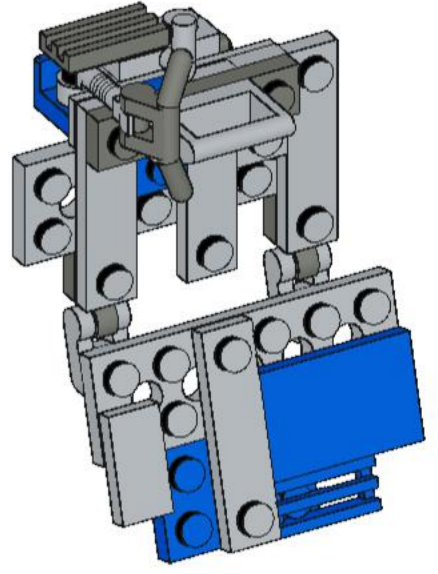
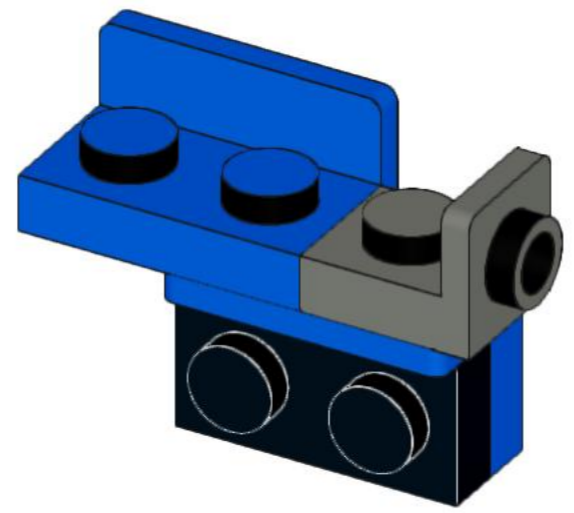
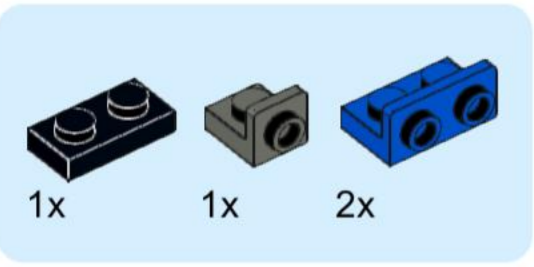
205



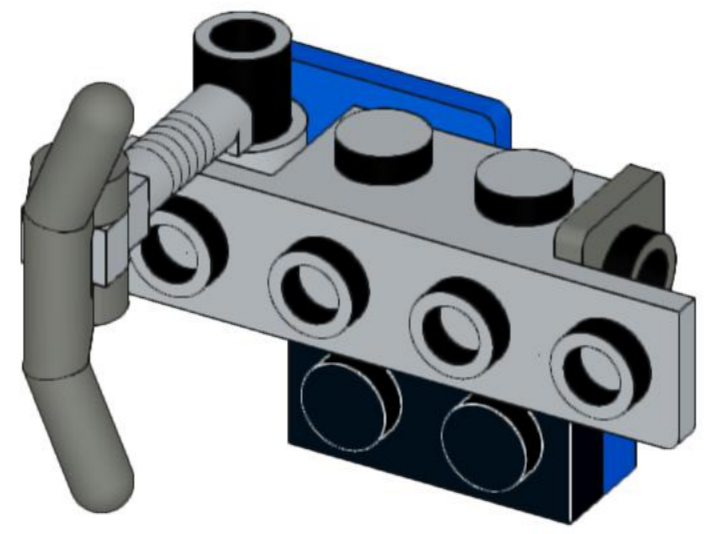
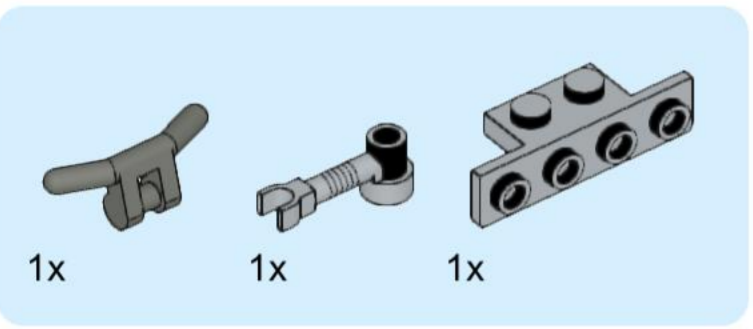
206



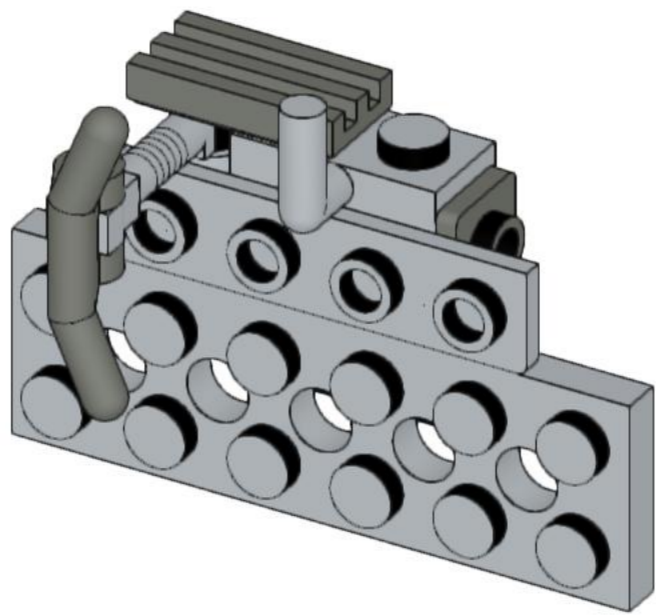
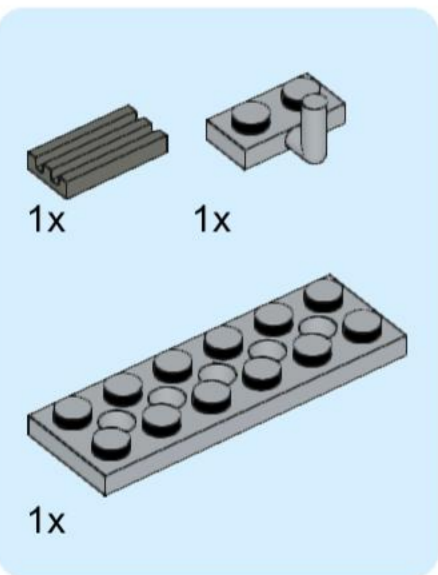
207



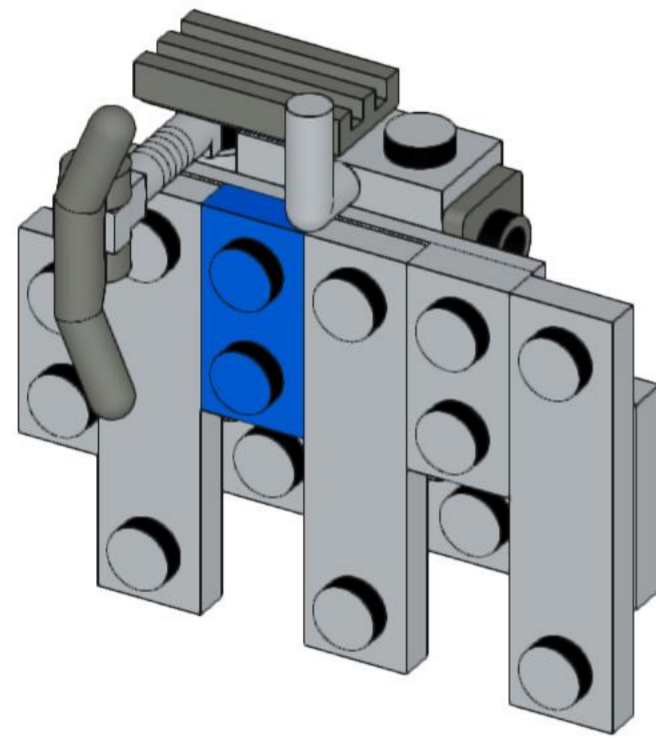
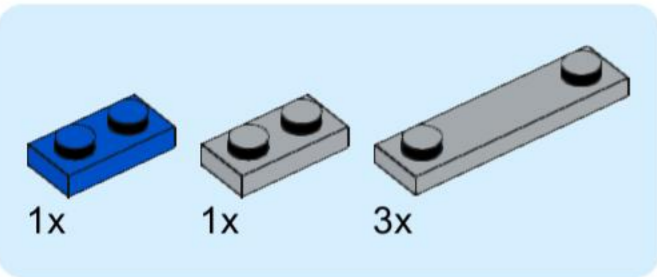
208



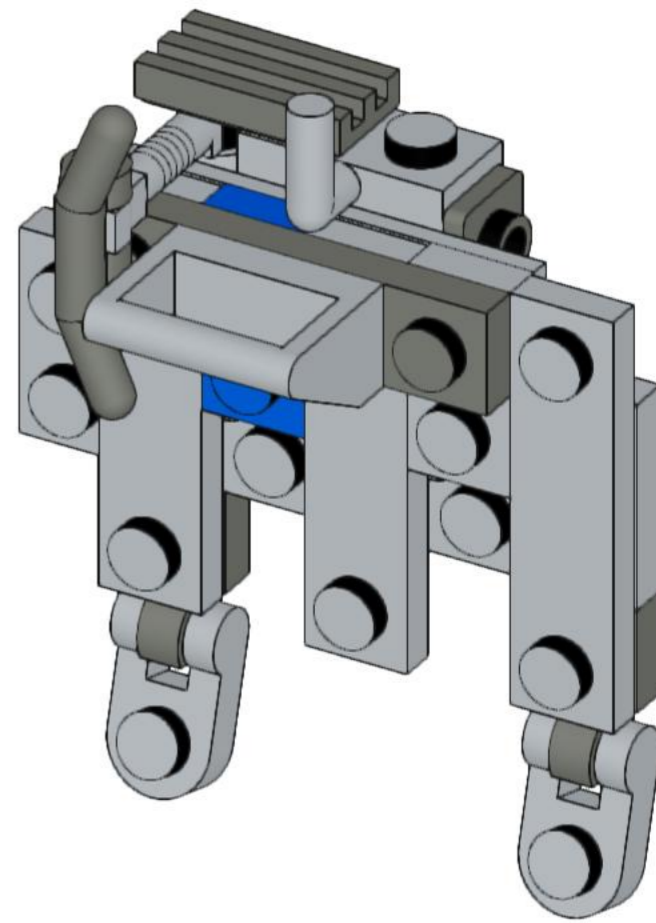
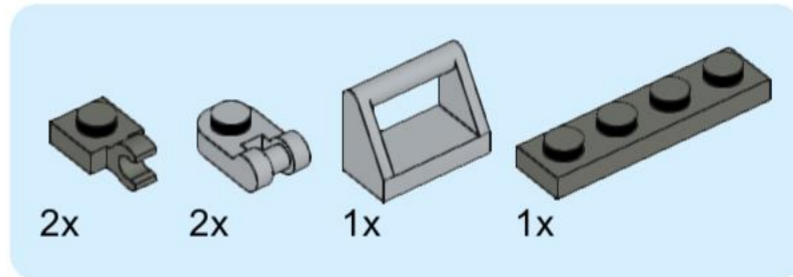
209



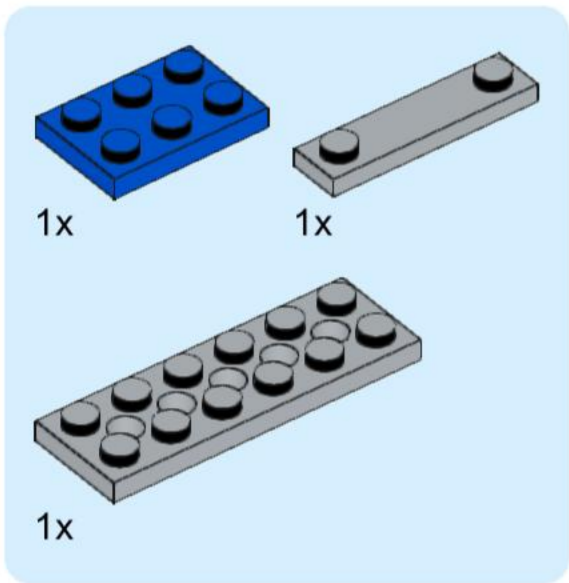
210



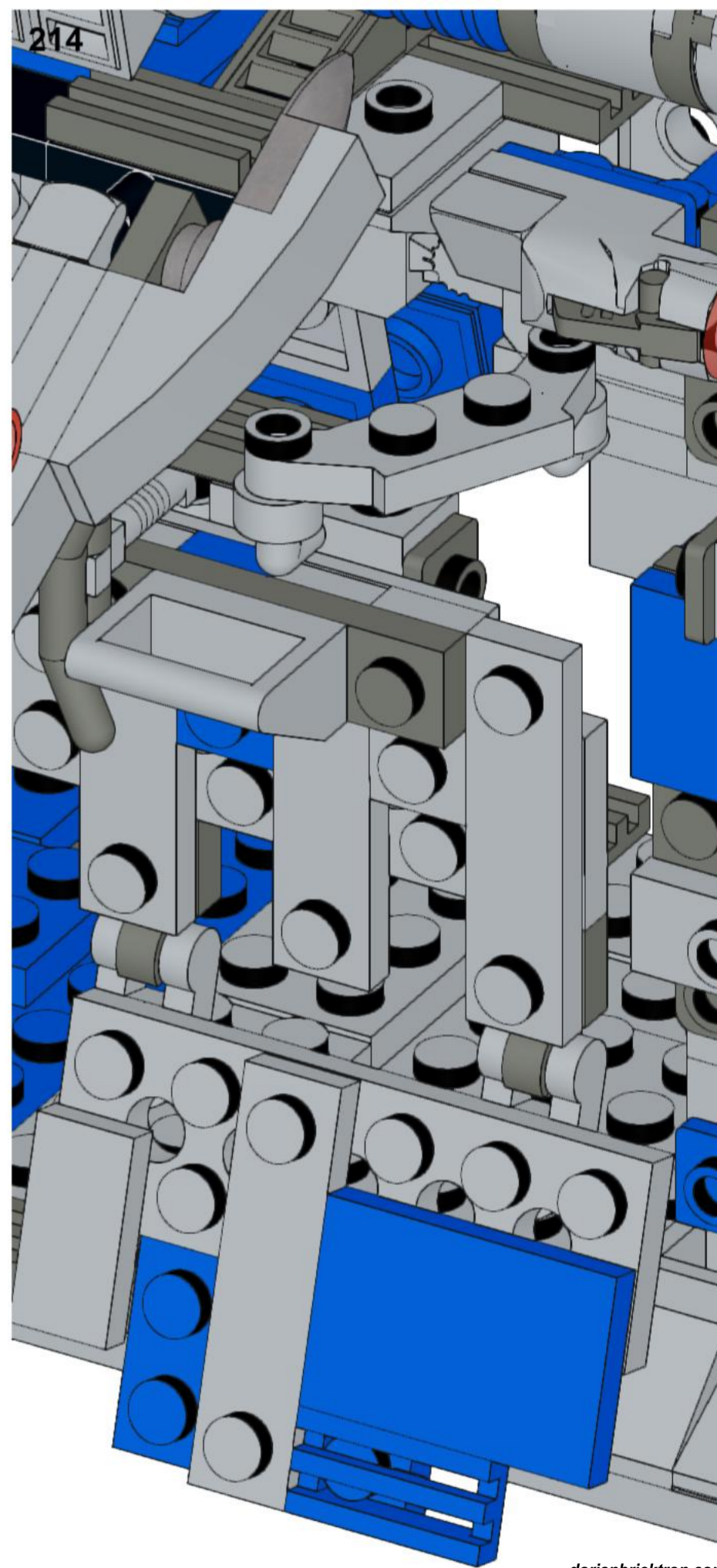
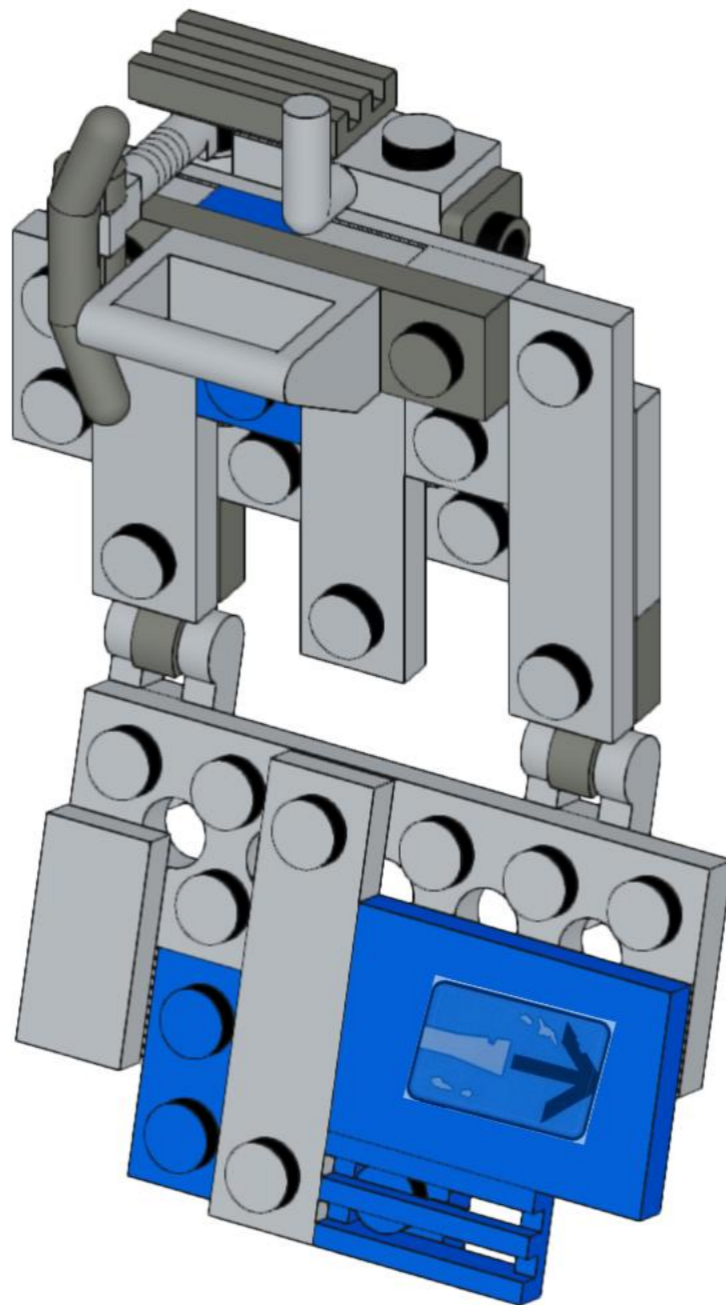
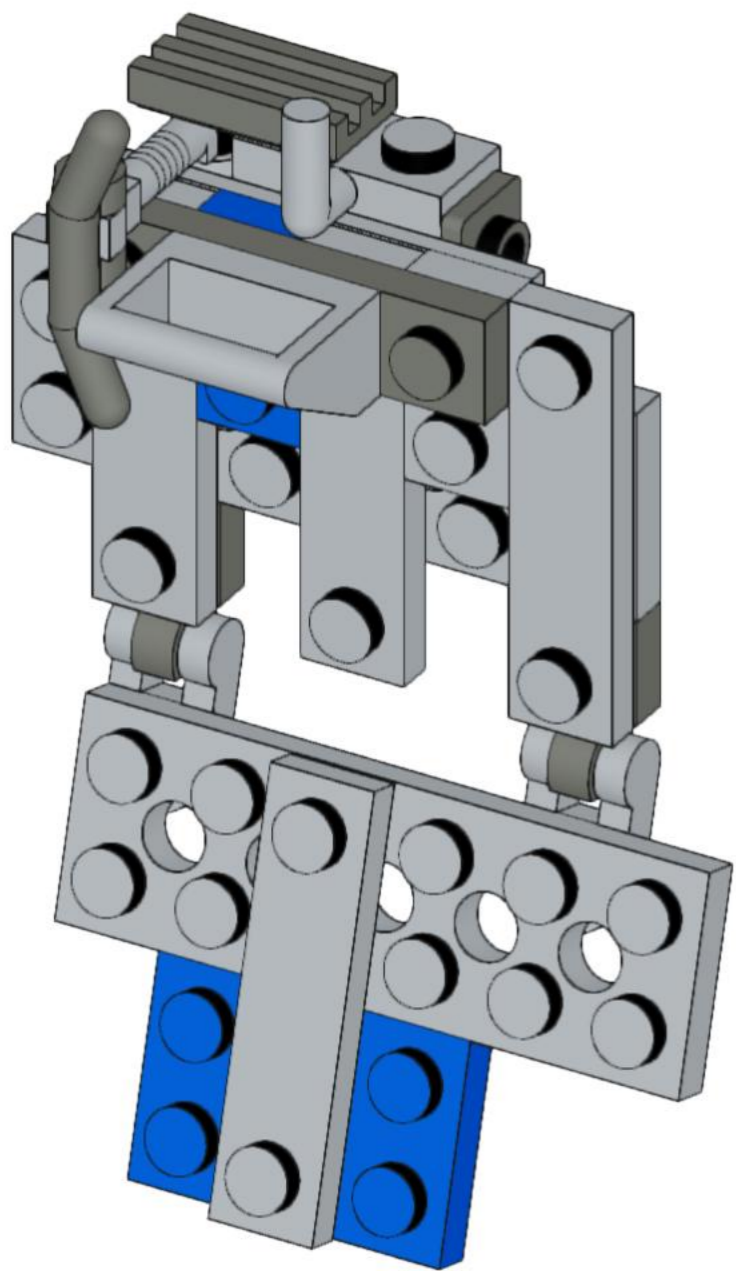
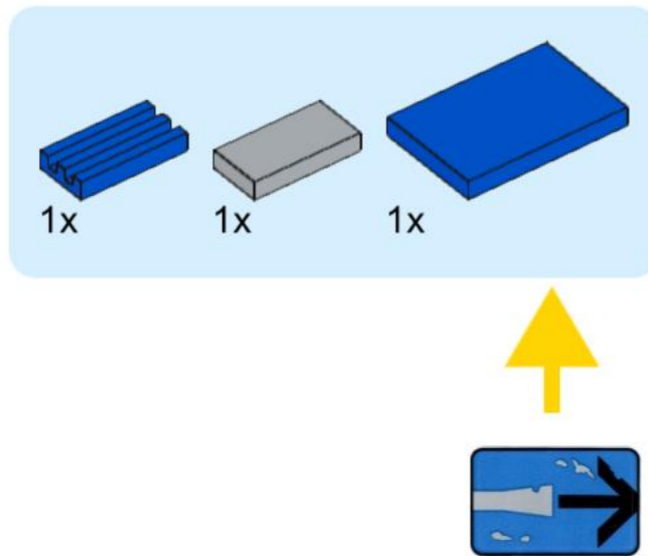
211



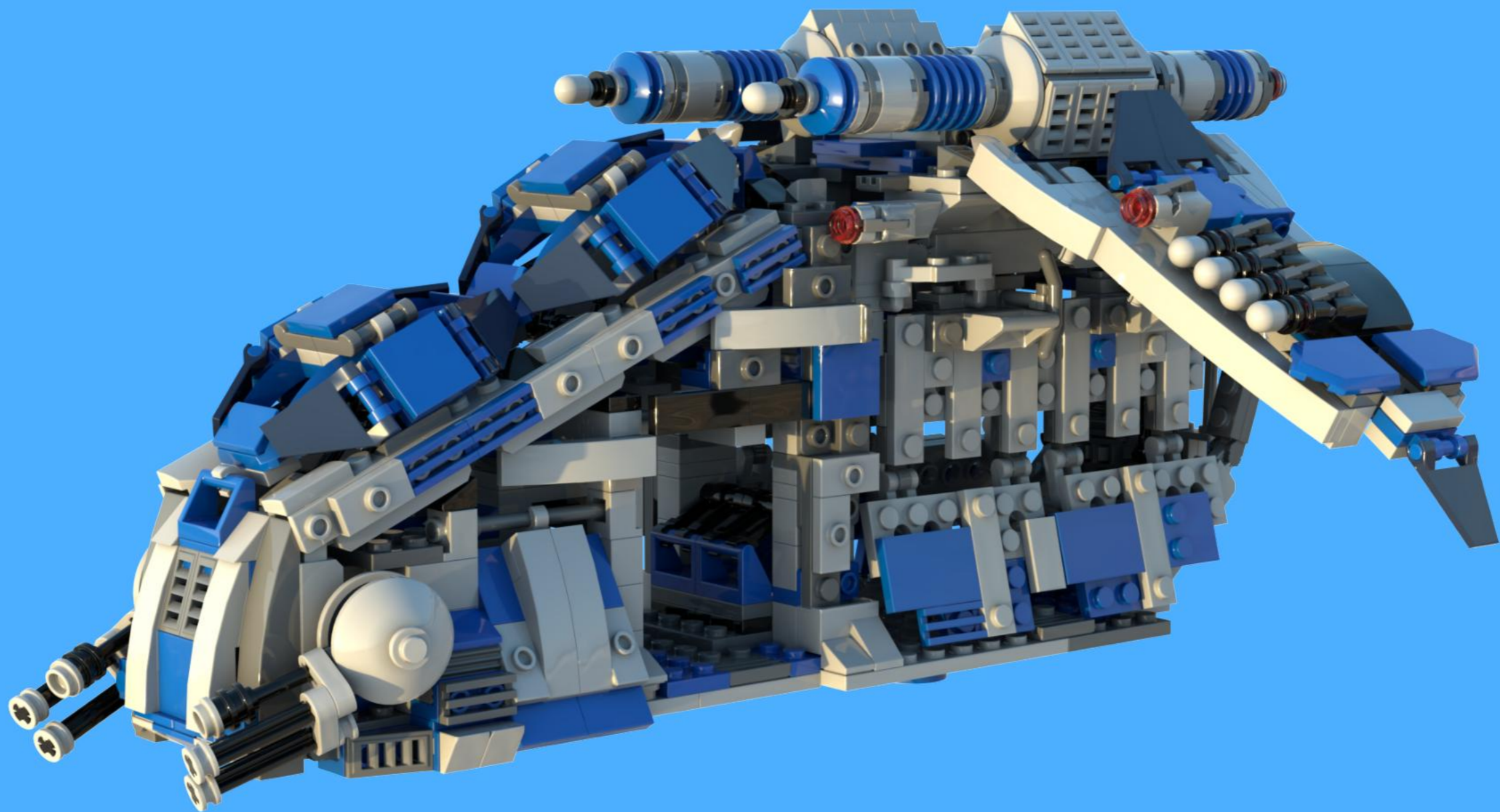
212

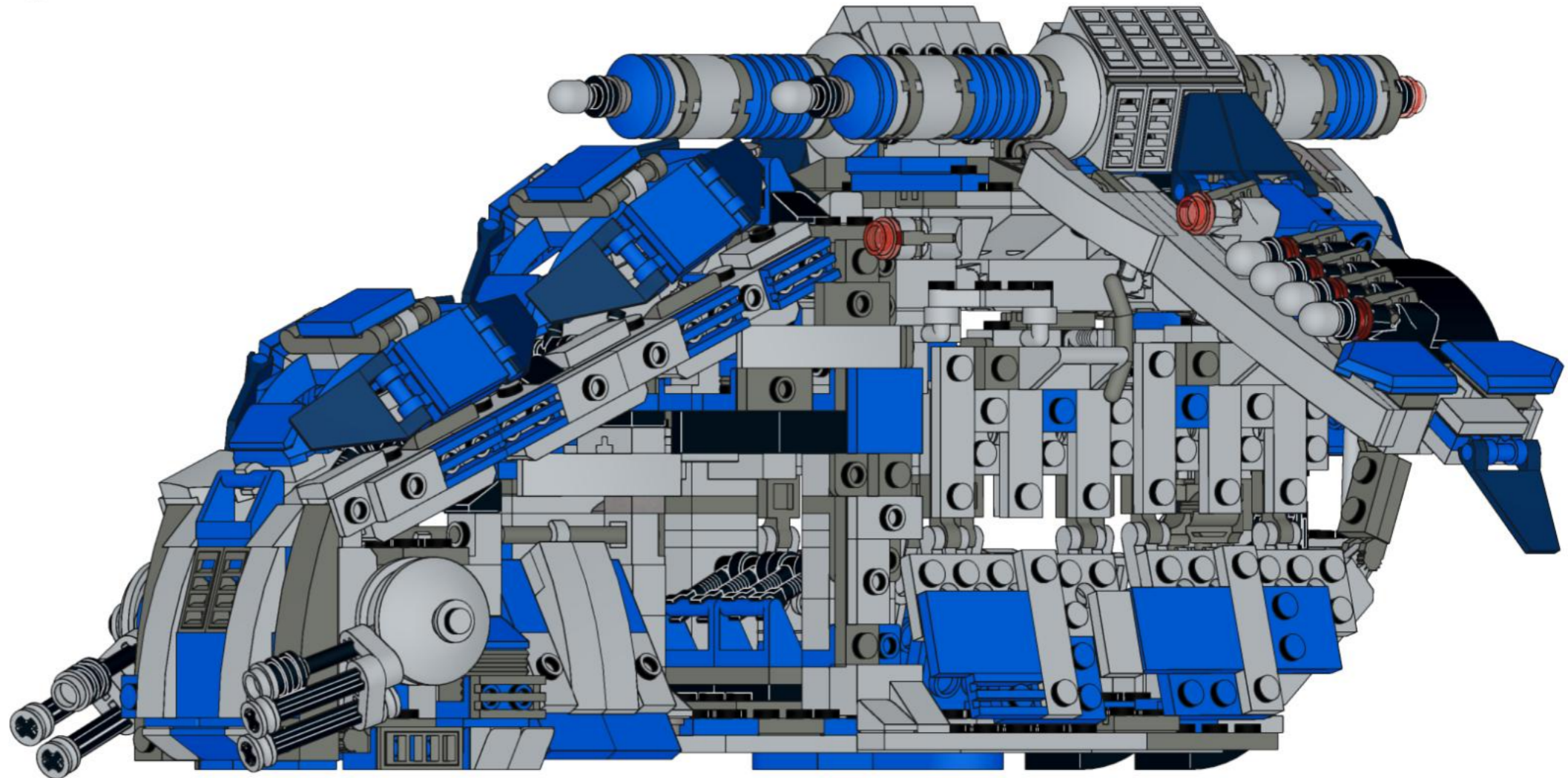
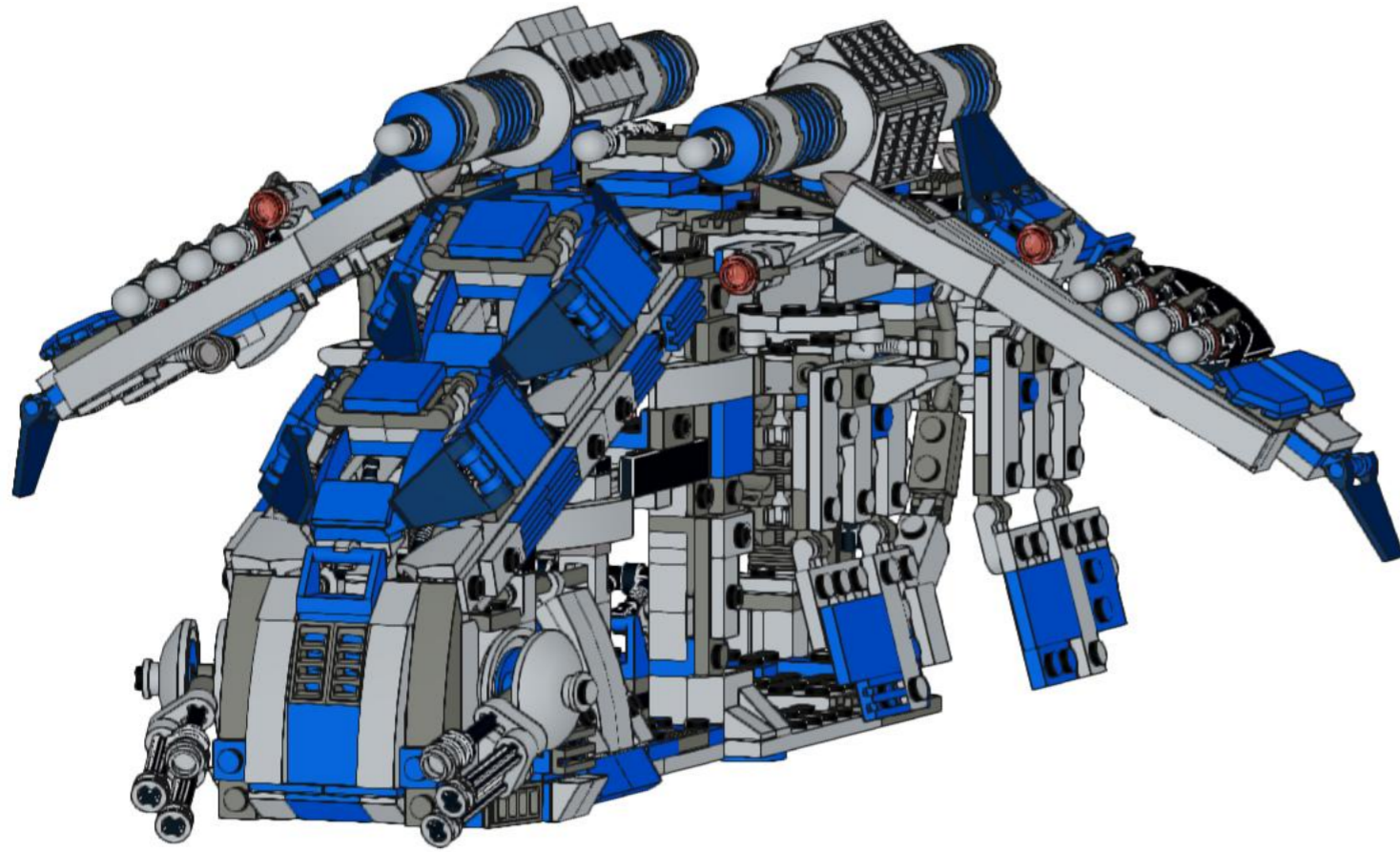


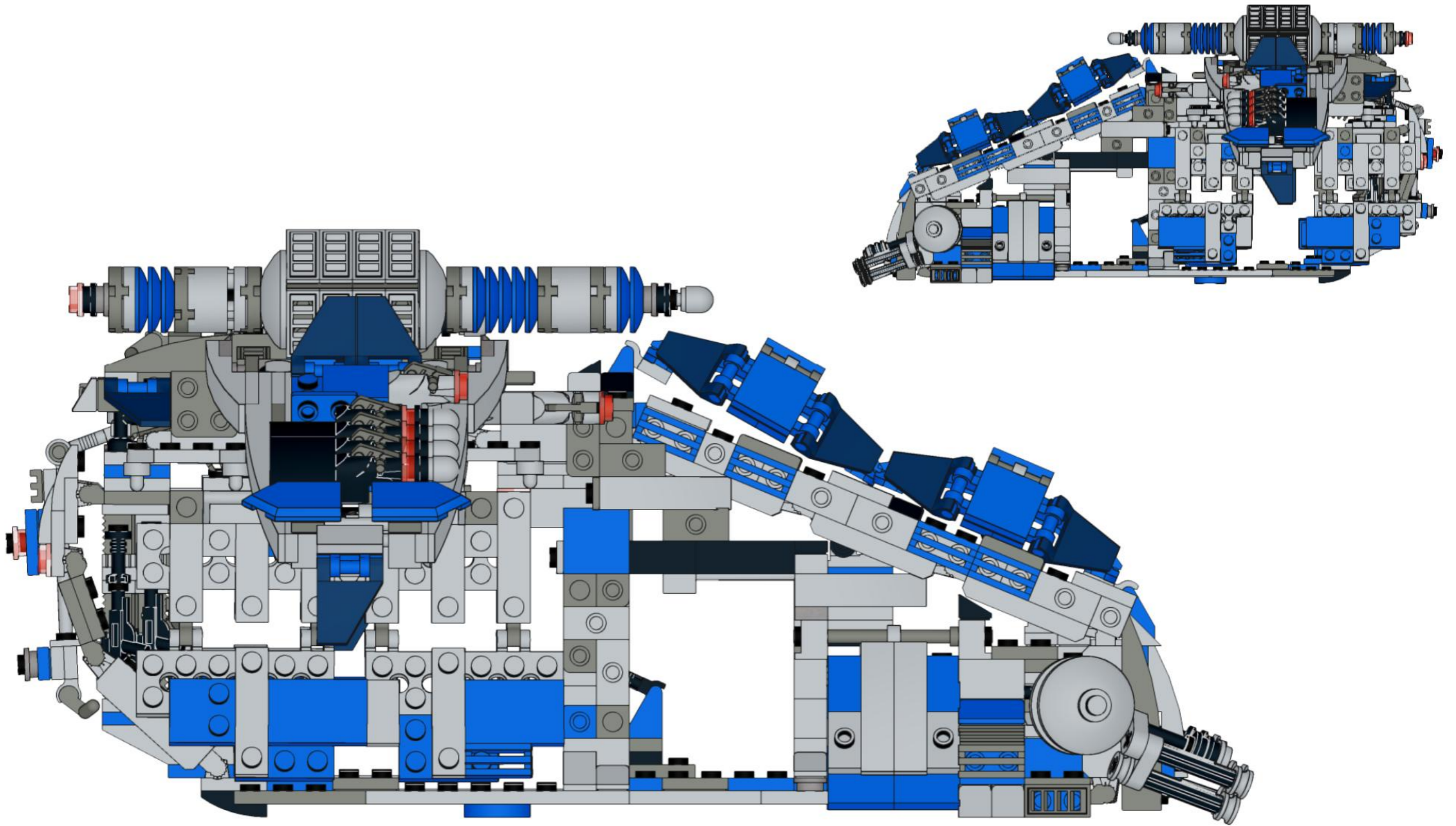
213

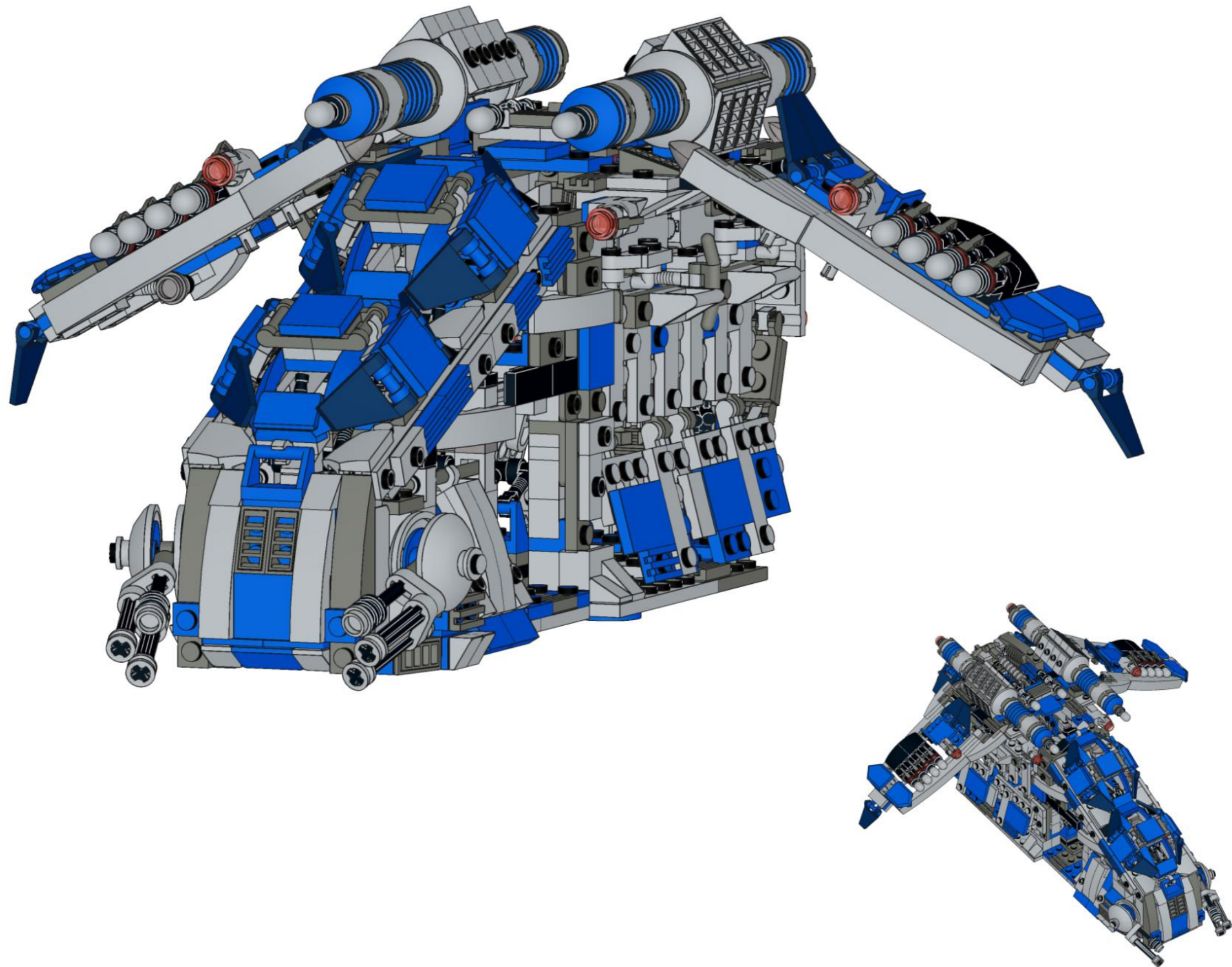


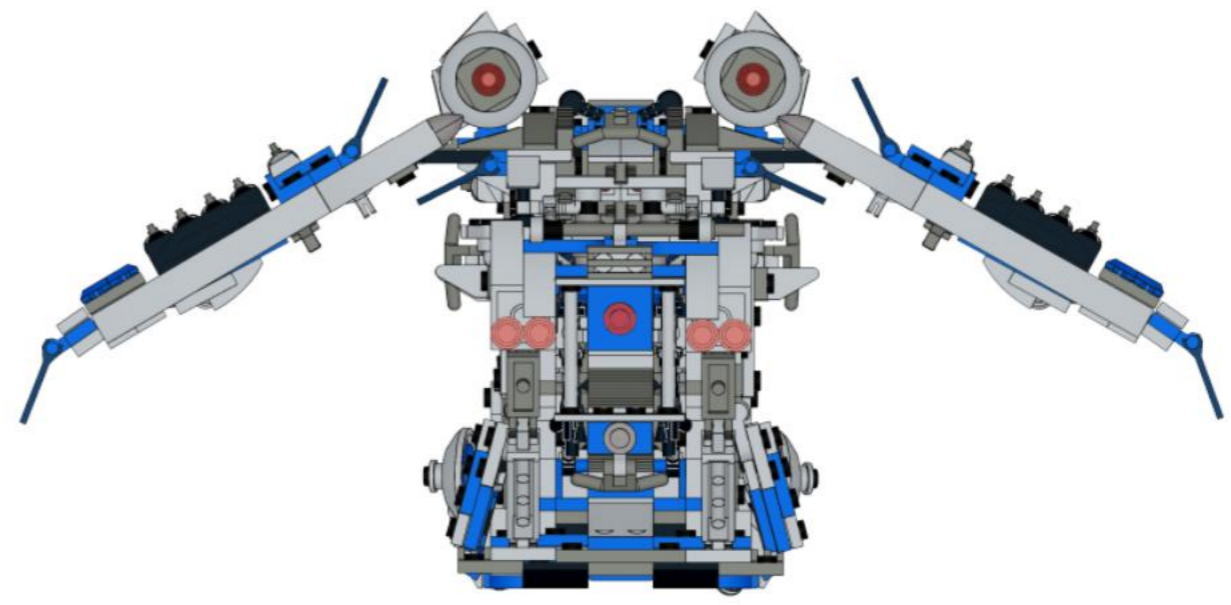
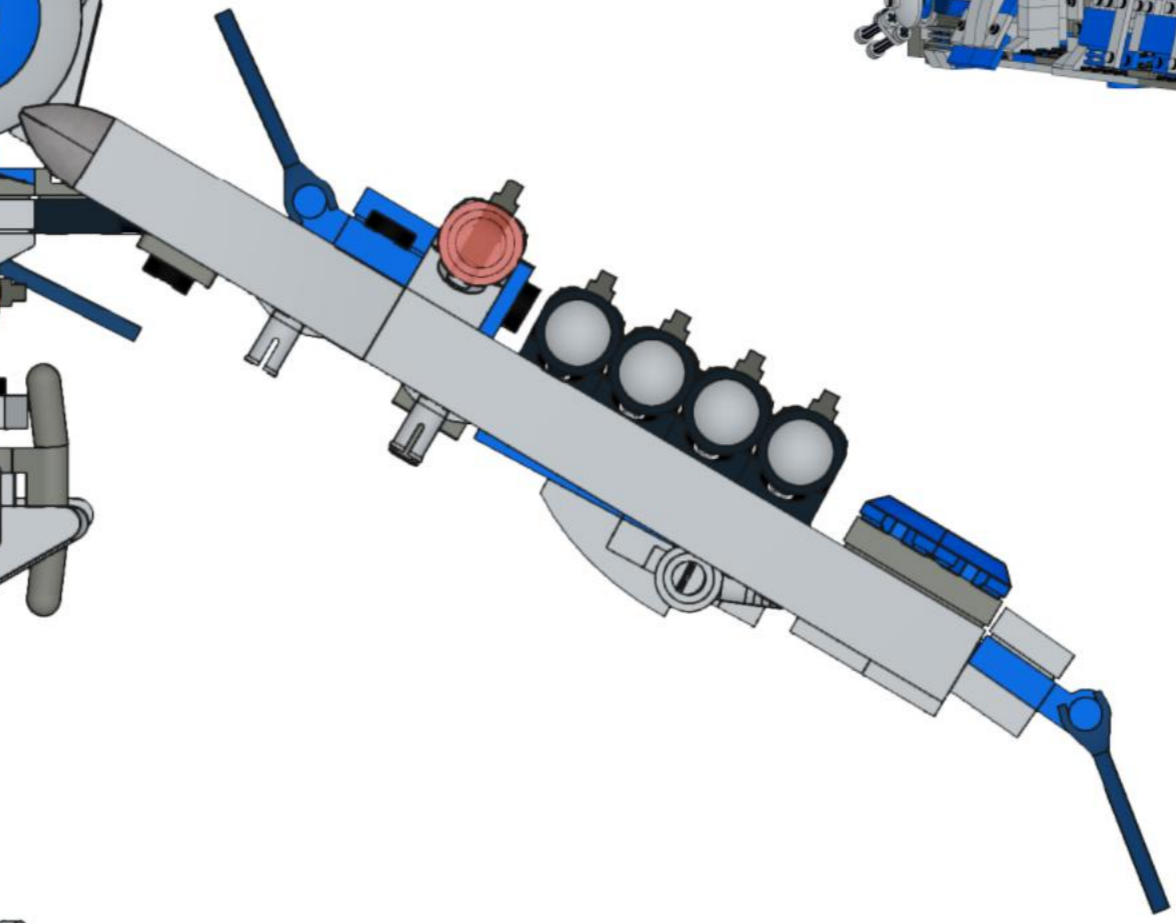
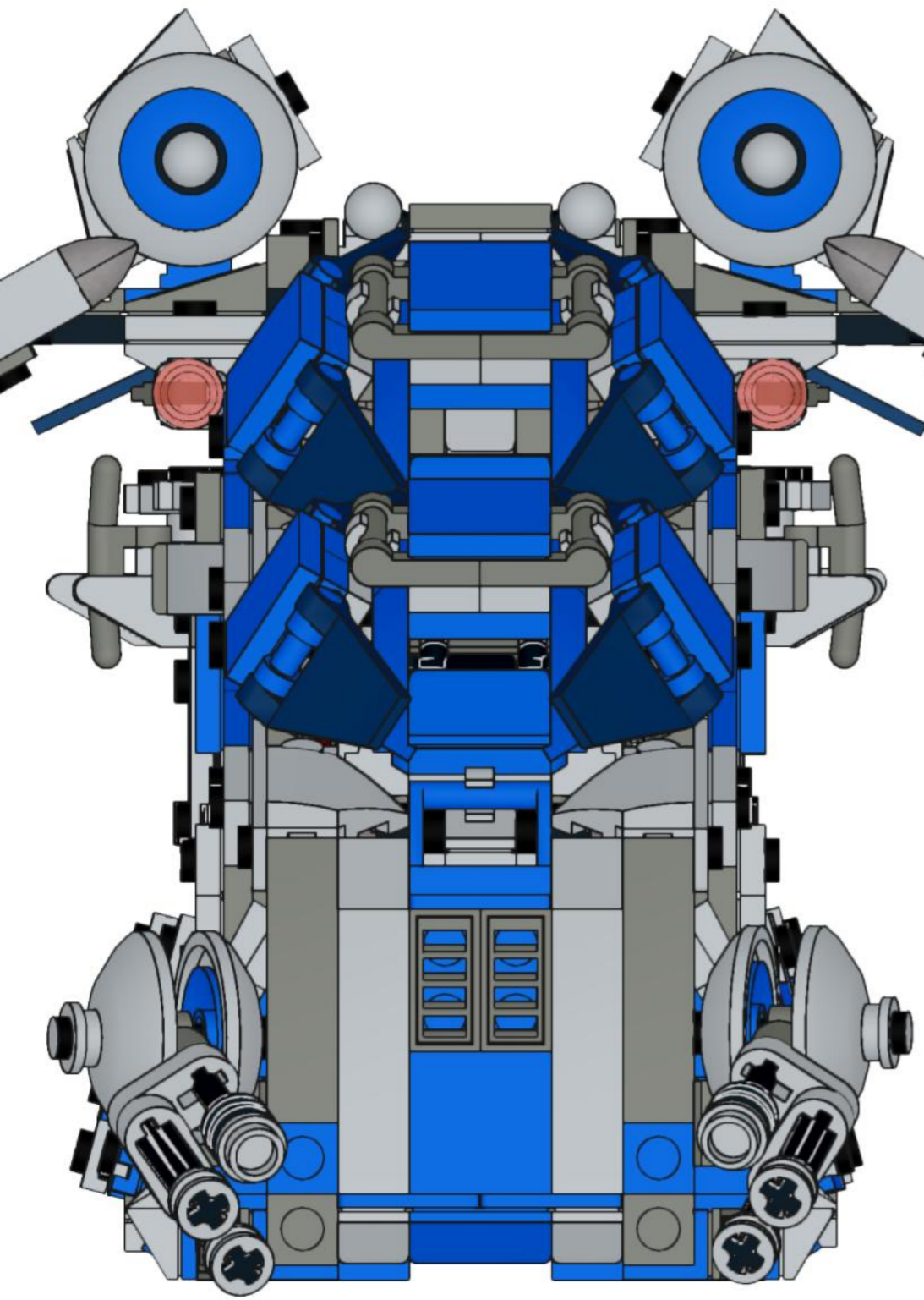
100%

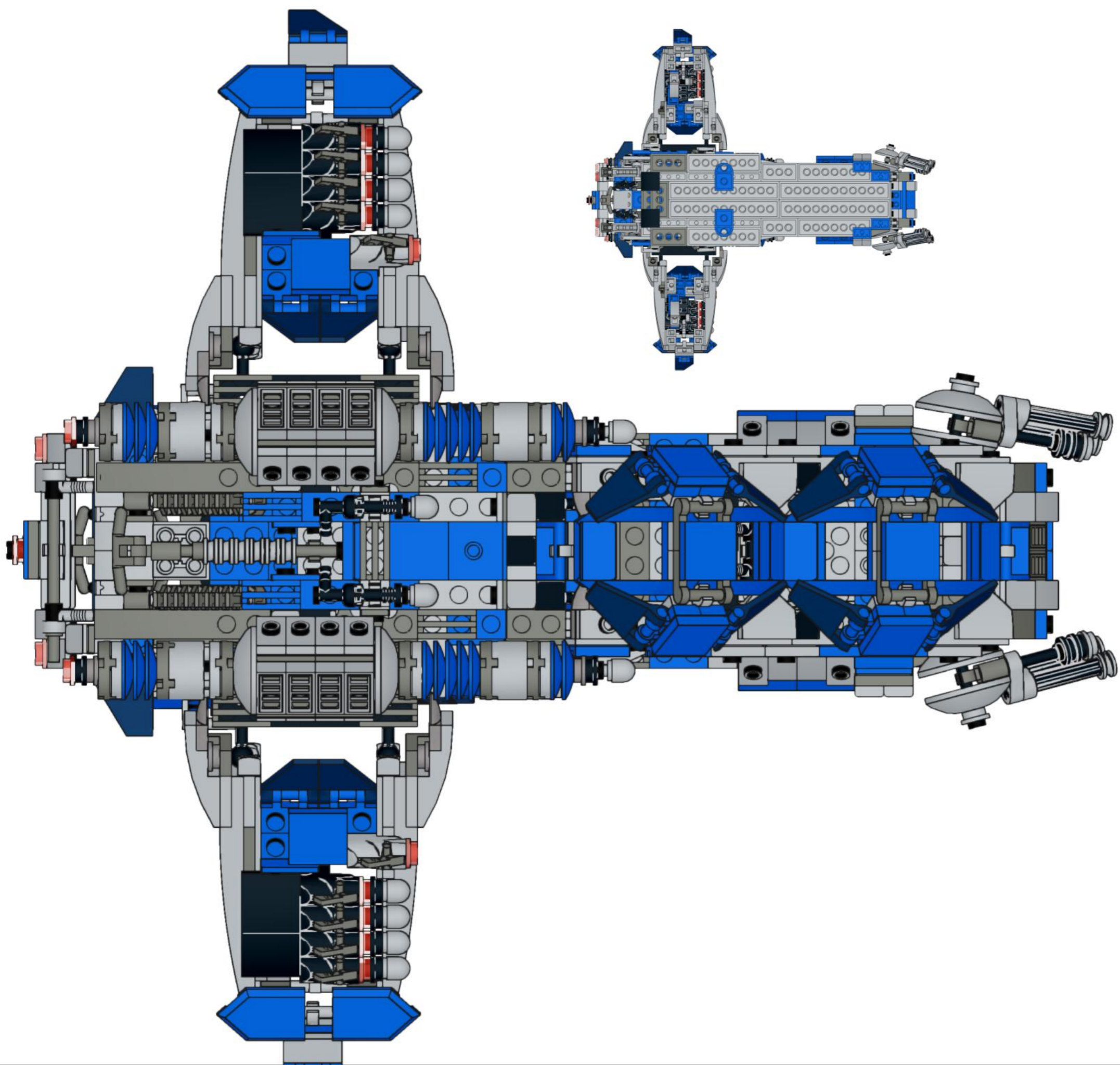


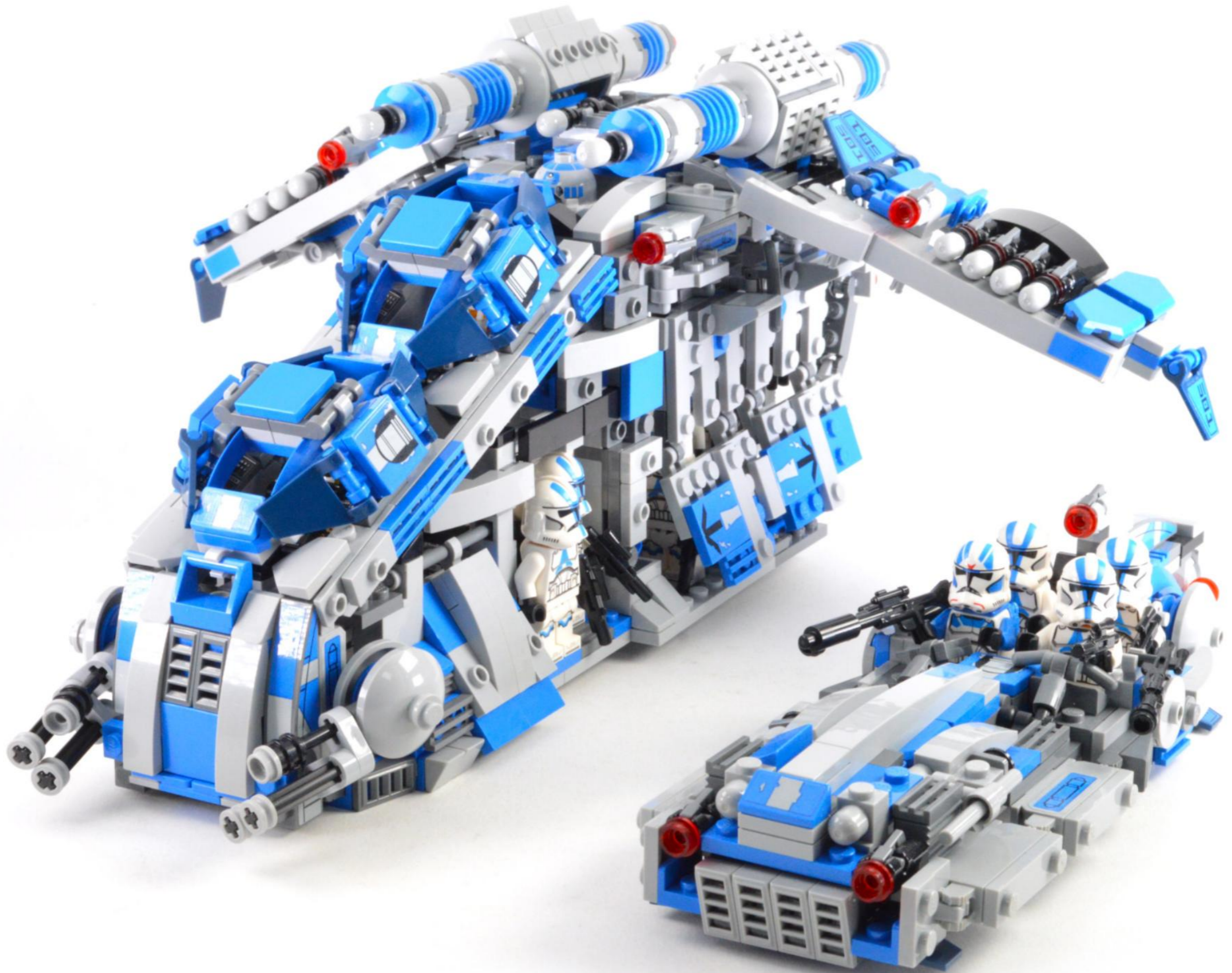


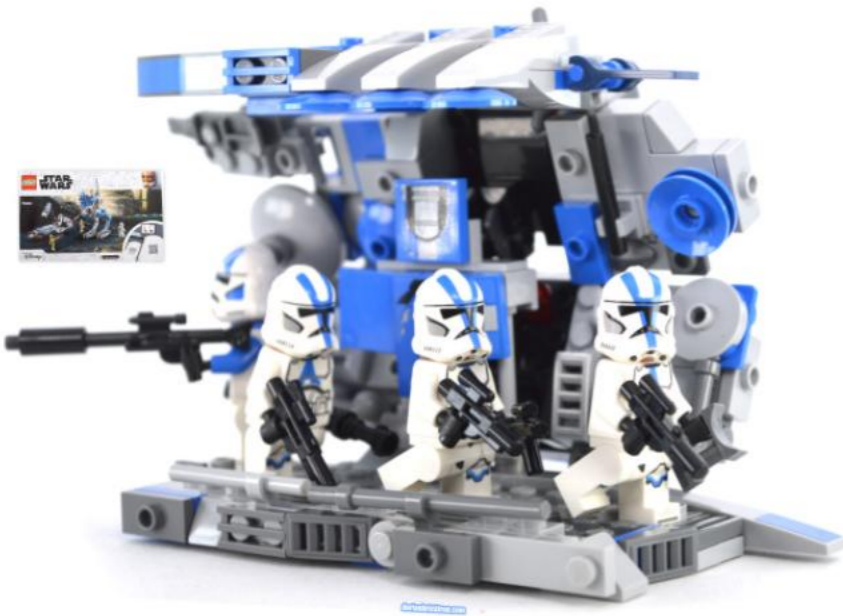


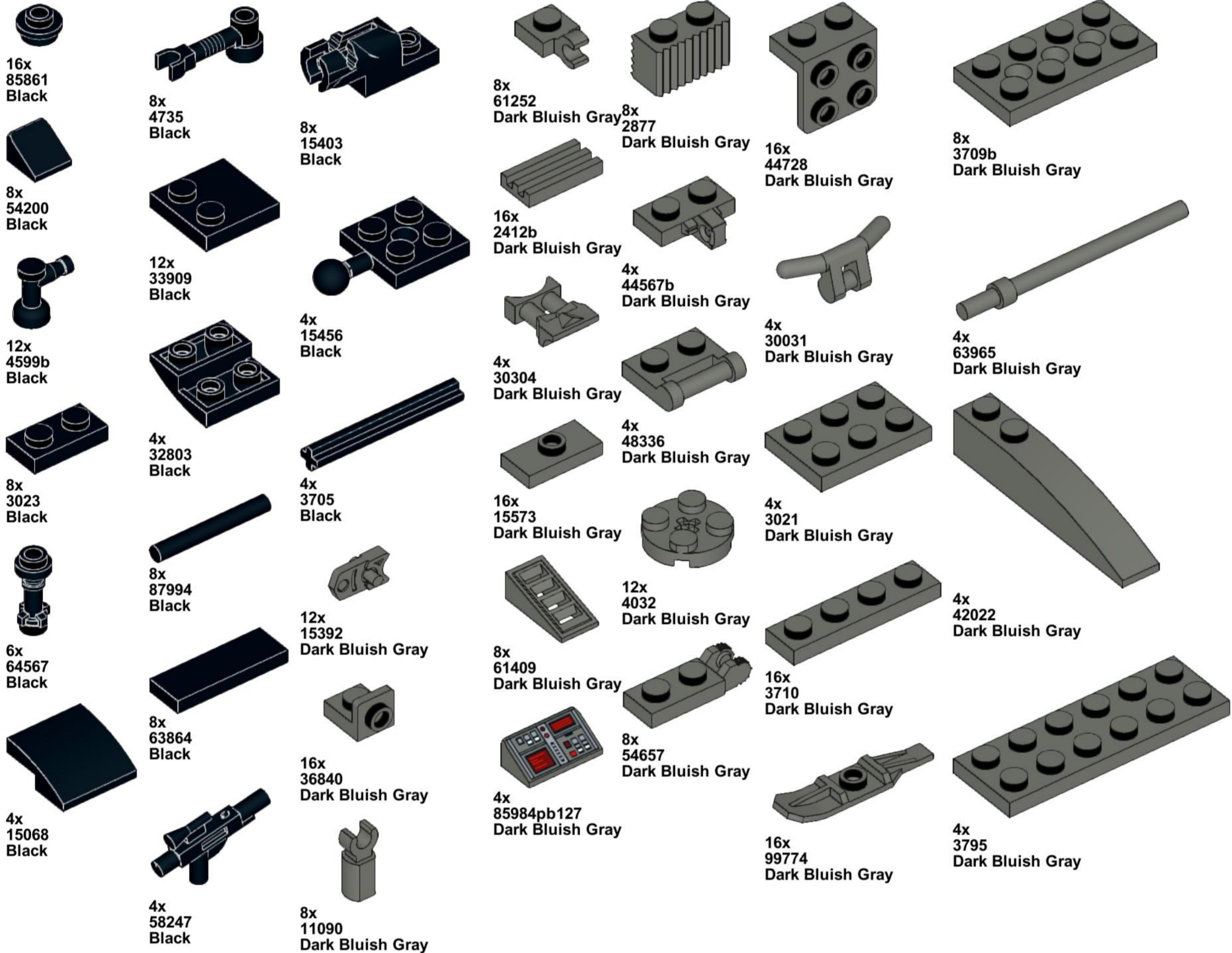


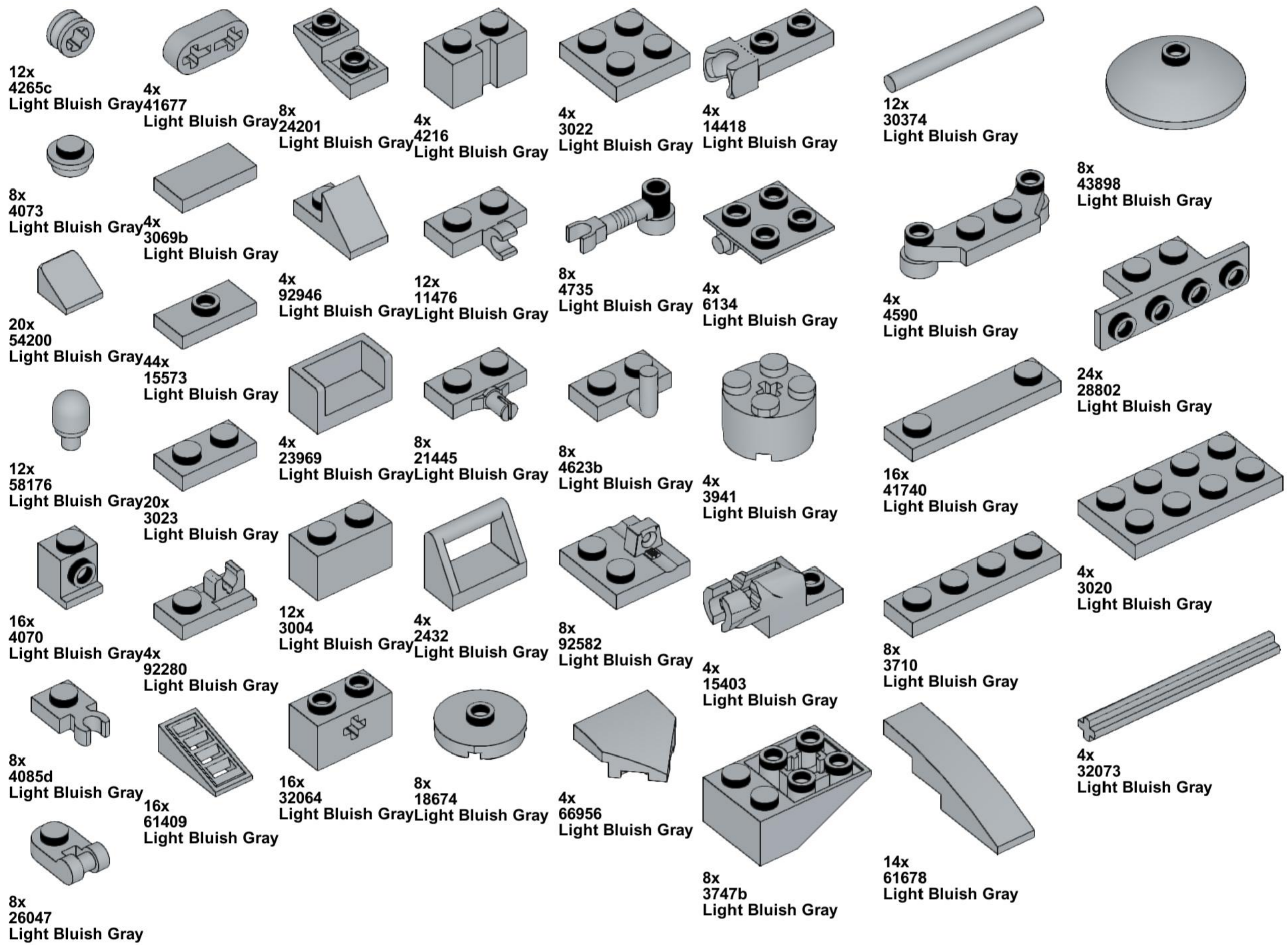


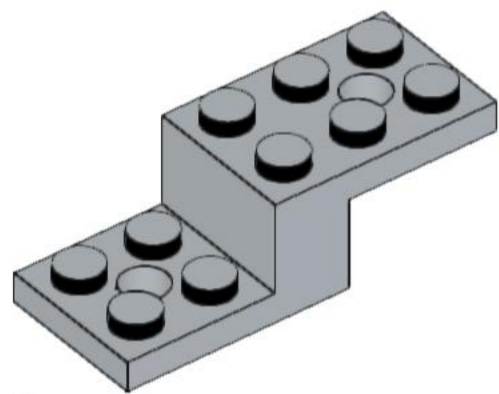




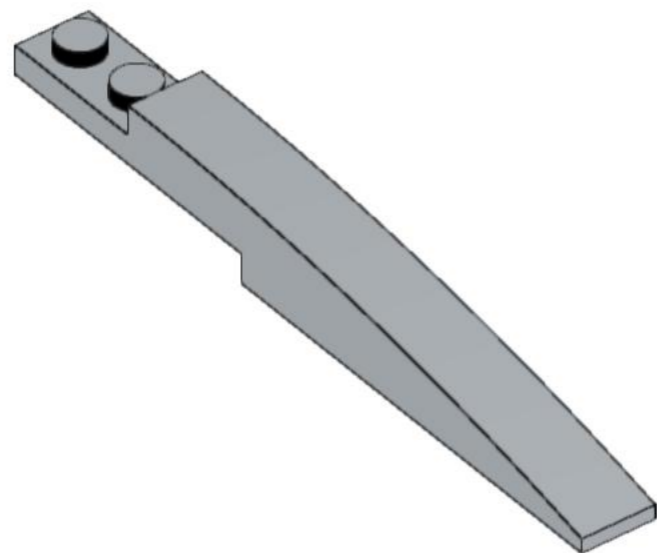




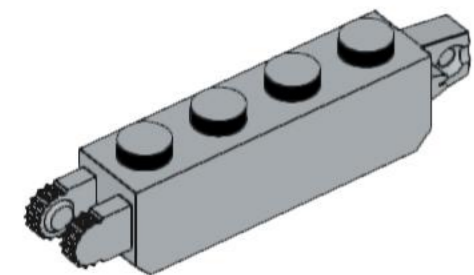




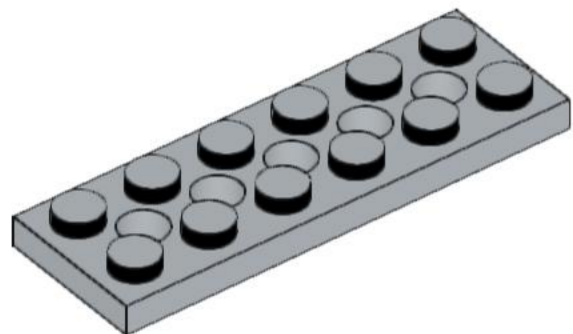
4x
11215
Light Bluish Gray



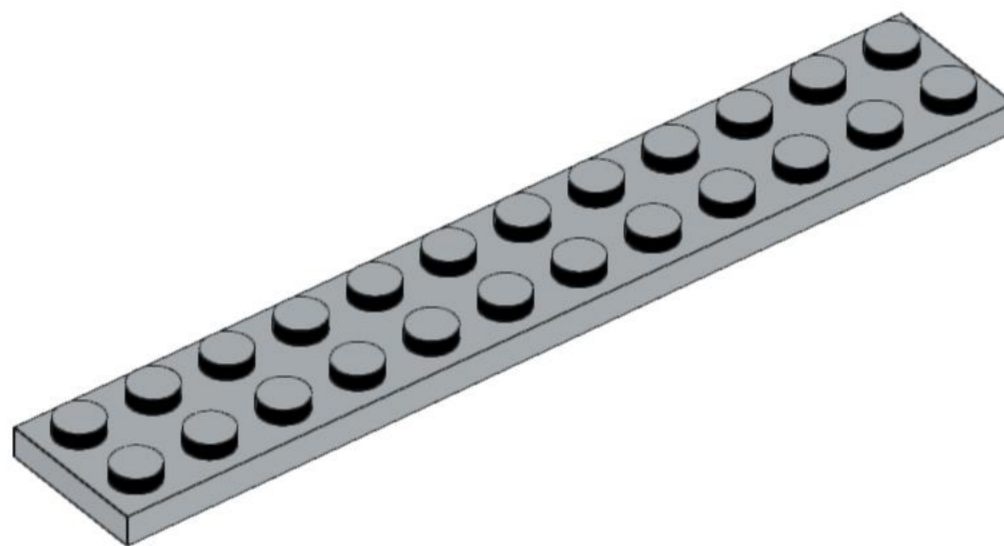
4x
85970
Light Bluish Gray



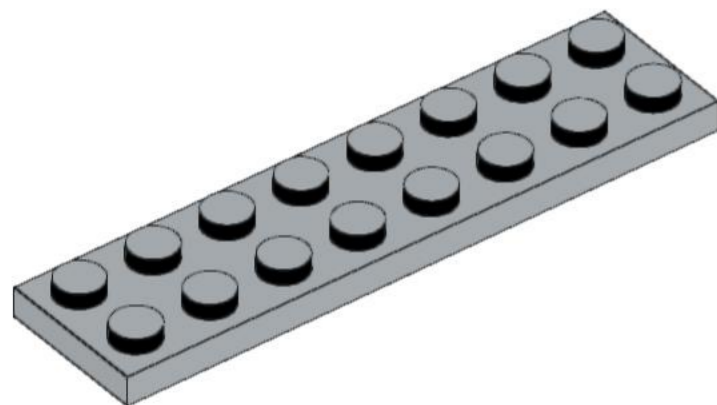
16x
30387
Light Bluish Gray



8x
32001
Light Bluish Gray



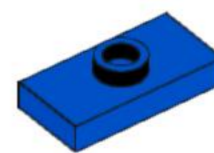
4x
2445
Light Bluish Gray



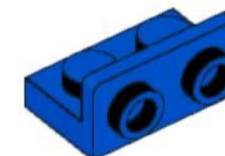
4x
3034
Light Bluish Gray



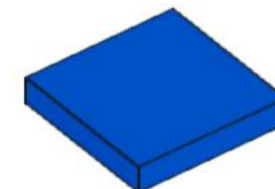
16x
44676
Dark Blue



8x
15573
Blue



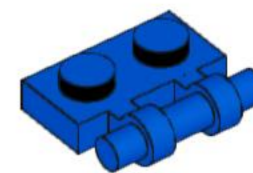
36x
99780
Blue



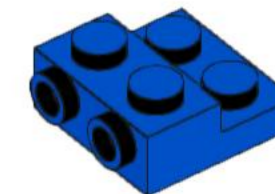
12x
3068b
Blue



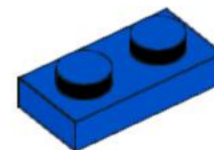
12x
2412b
Blue



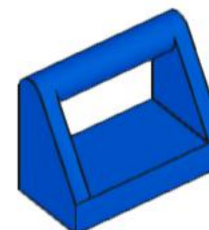
16x
2540
Blue



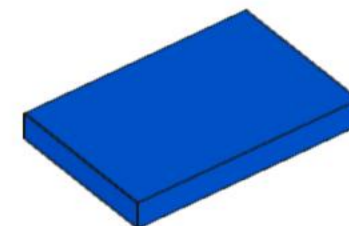
4x
99206
Blue



16x
3023
Blue



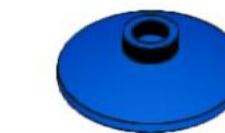
4x
2432
Blue



4x
26603
Blue



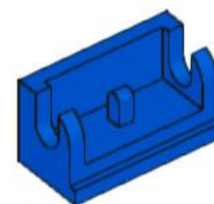
8x
85984
Blue



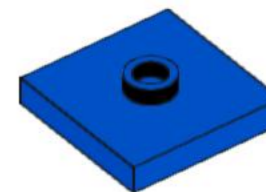
24x
4740
Blue



4x
22385
Blue



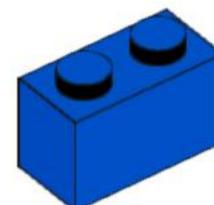
4x
3937
Blue



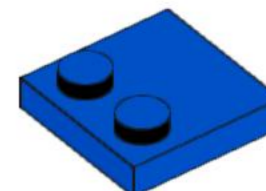
8x
87580
Blue



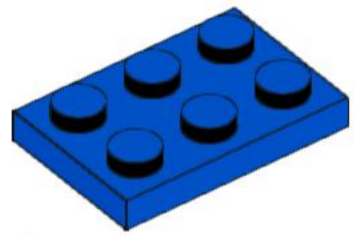
4x
3176
Blue



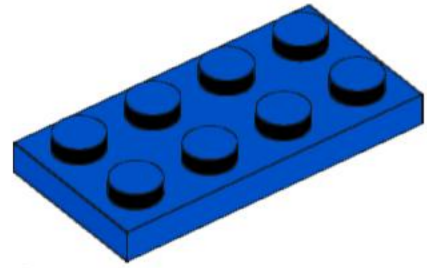
4x
3004
Blue



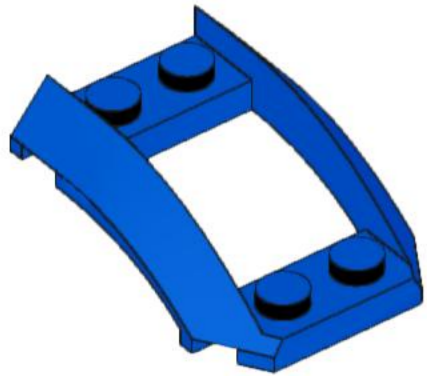
12x
33909
Blue



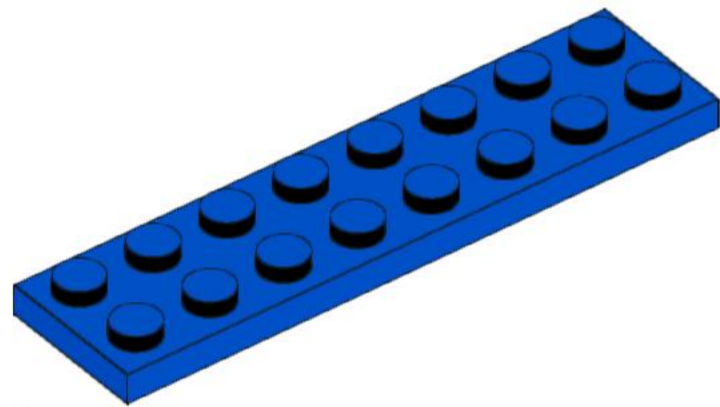
4x
3021
Blue



4x
3020
Blue



4x
47755
Blue



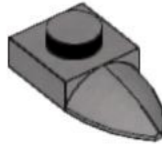
4x
3034
Blue



29x
4073
Trans-Red



19x
4073
Flat Silver



8x
49668
Flat Silver

