

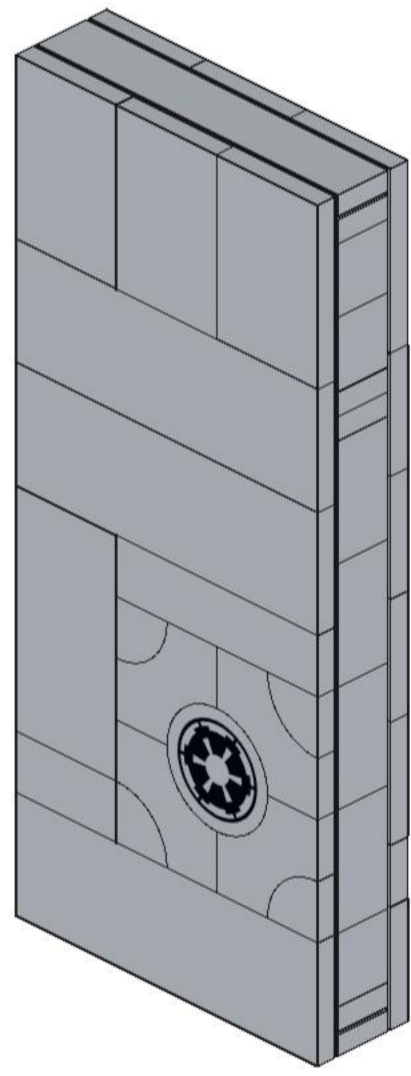
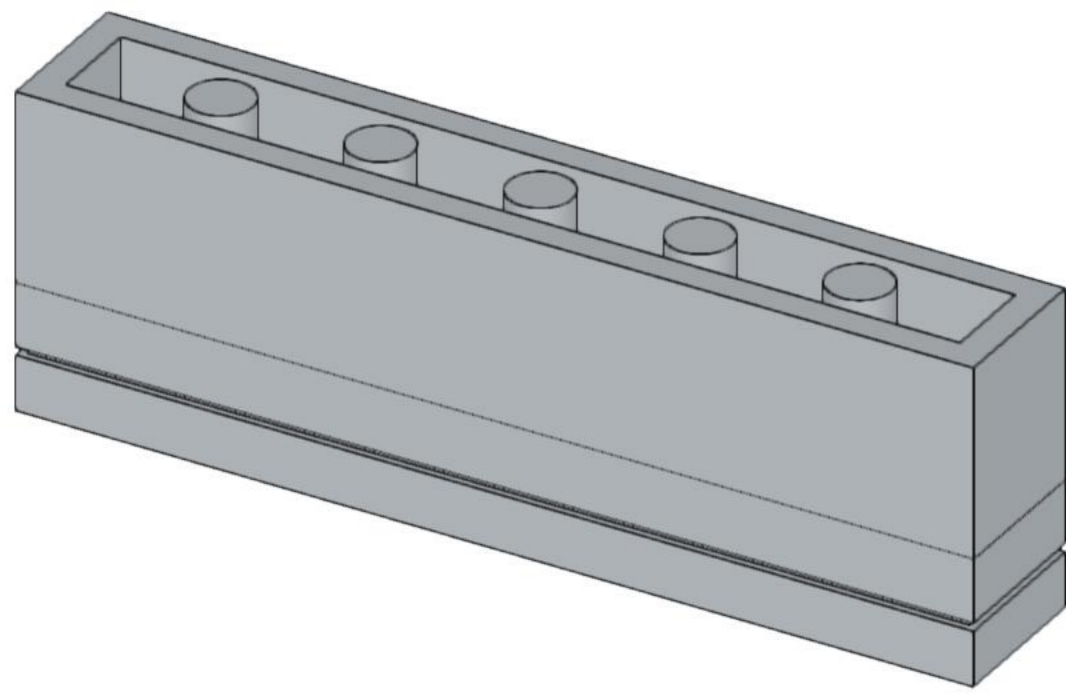
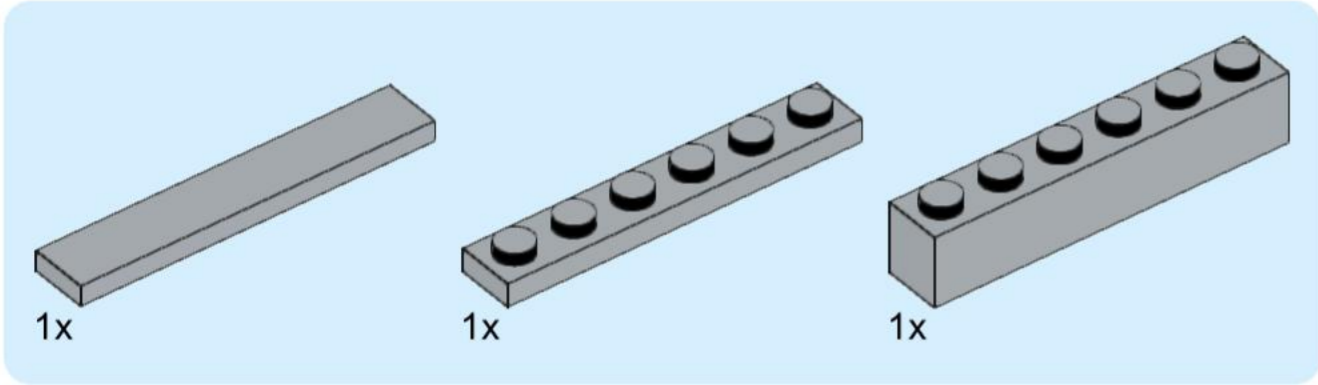


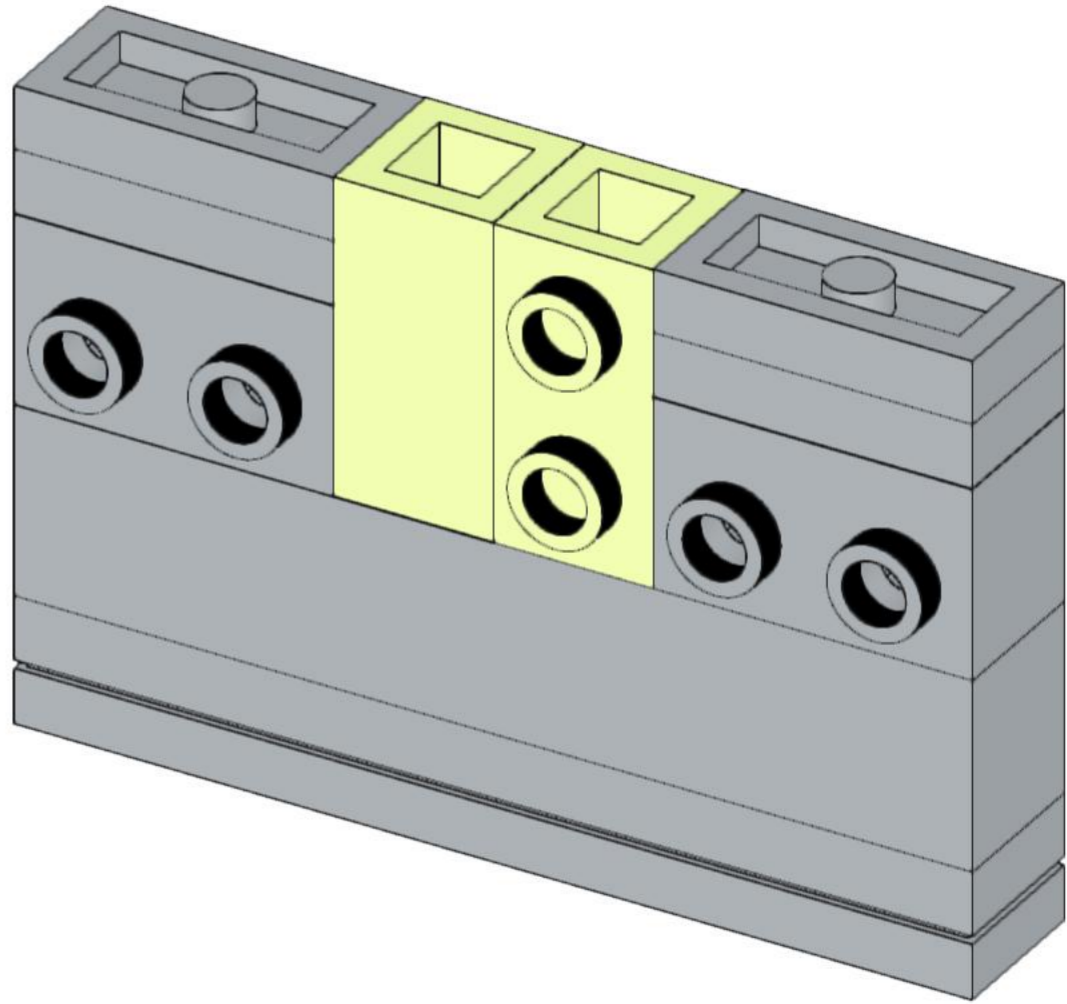
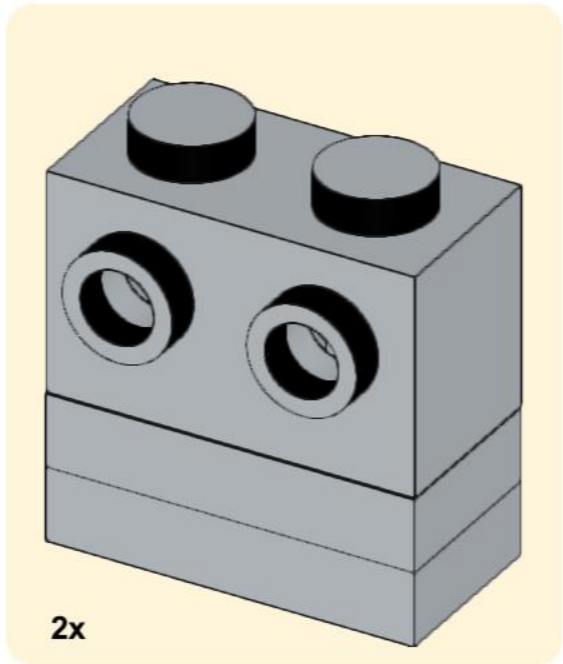
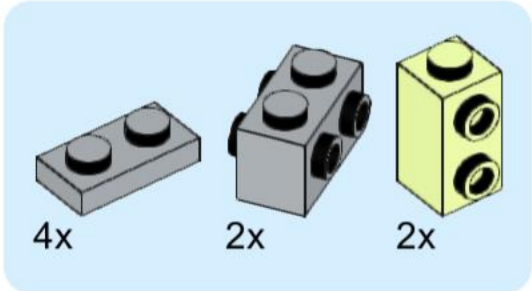


Build instructions by Dorian Bricktron
dorianbricktron.com

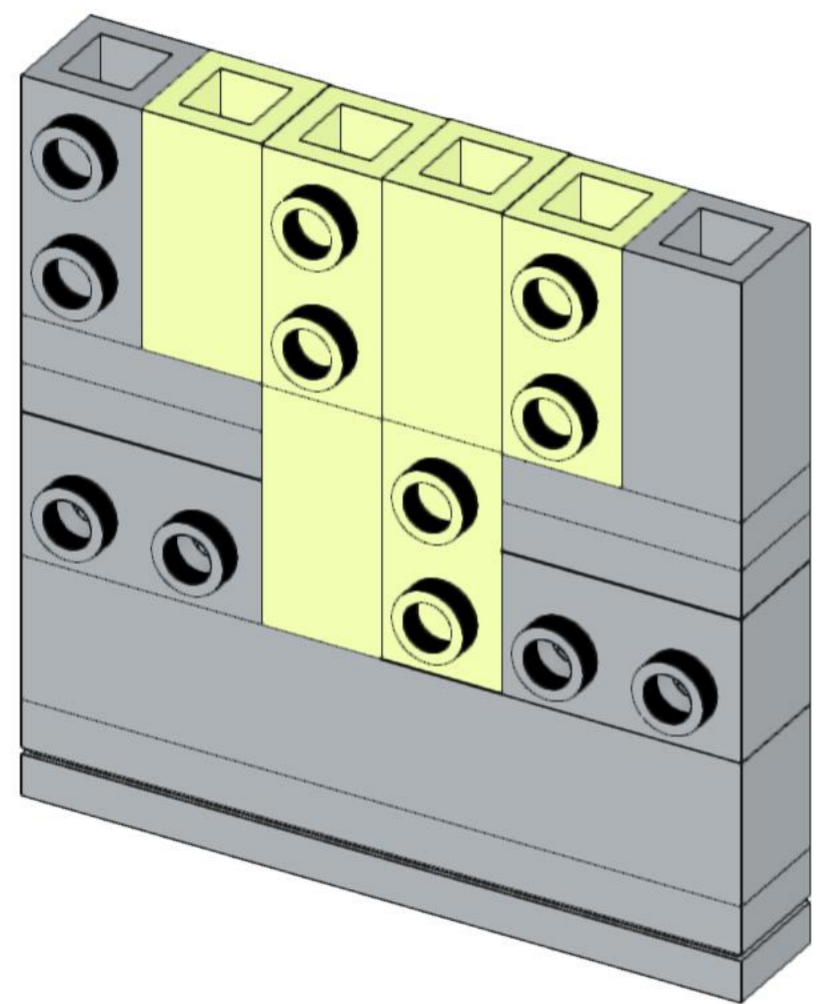
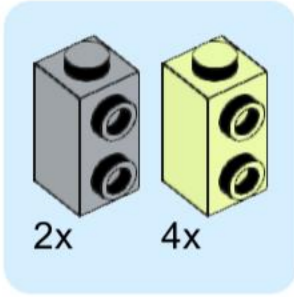


1

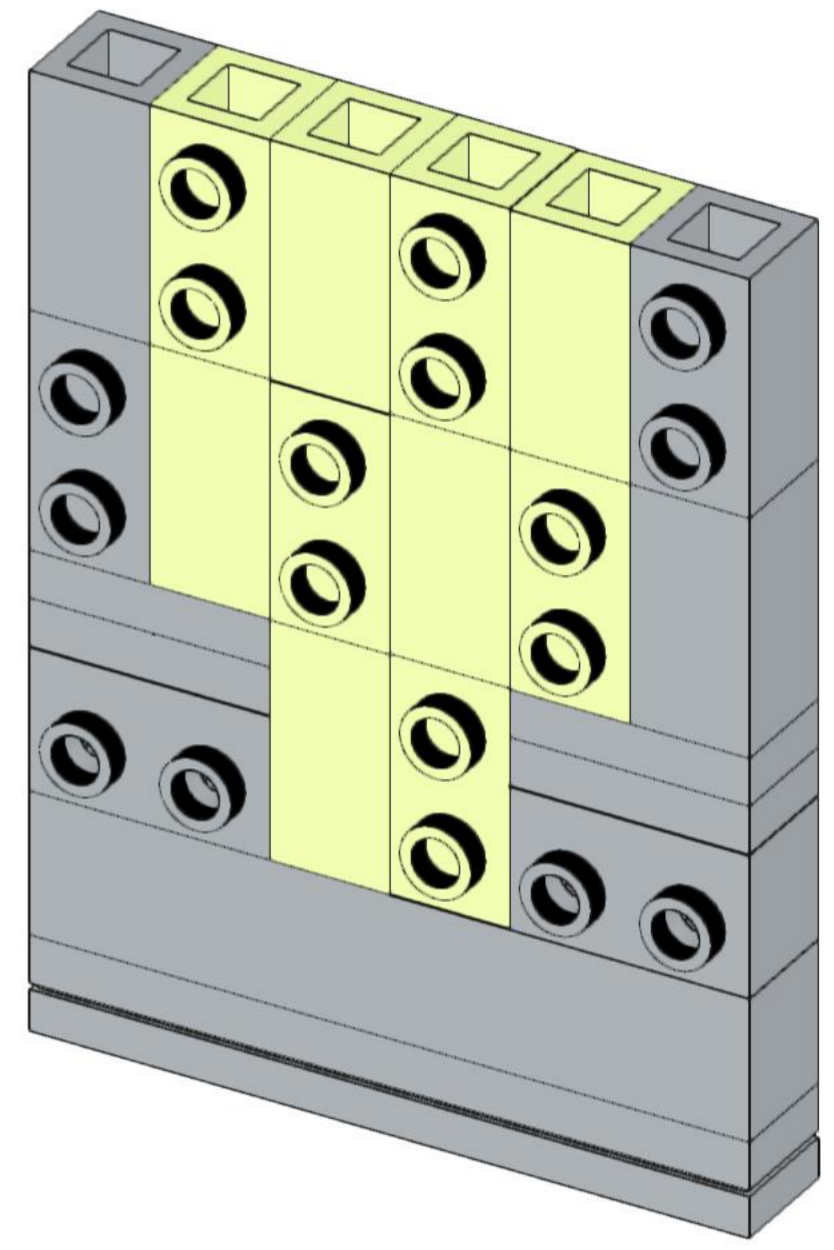
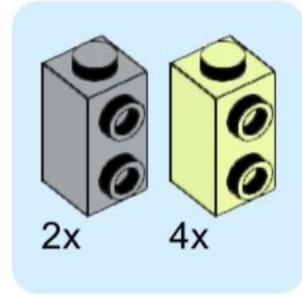




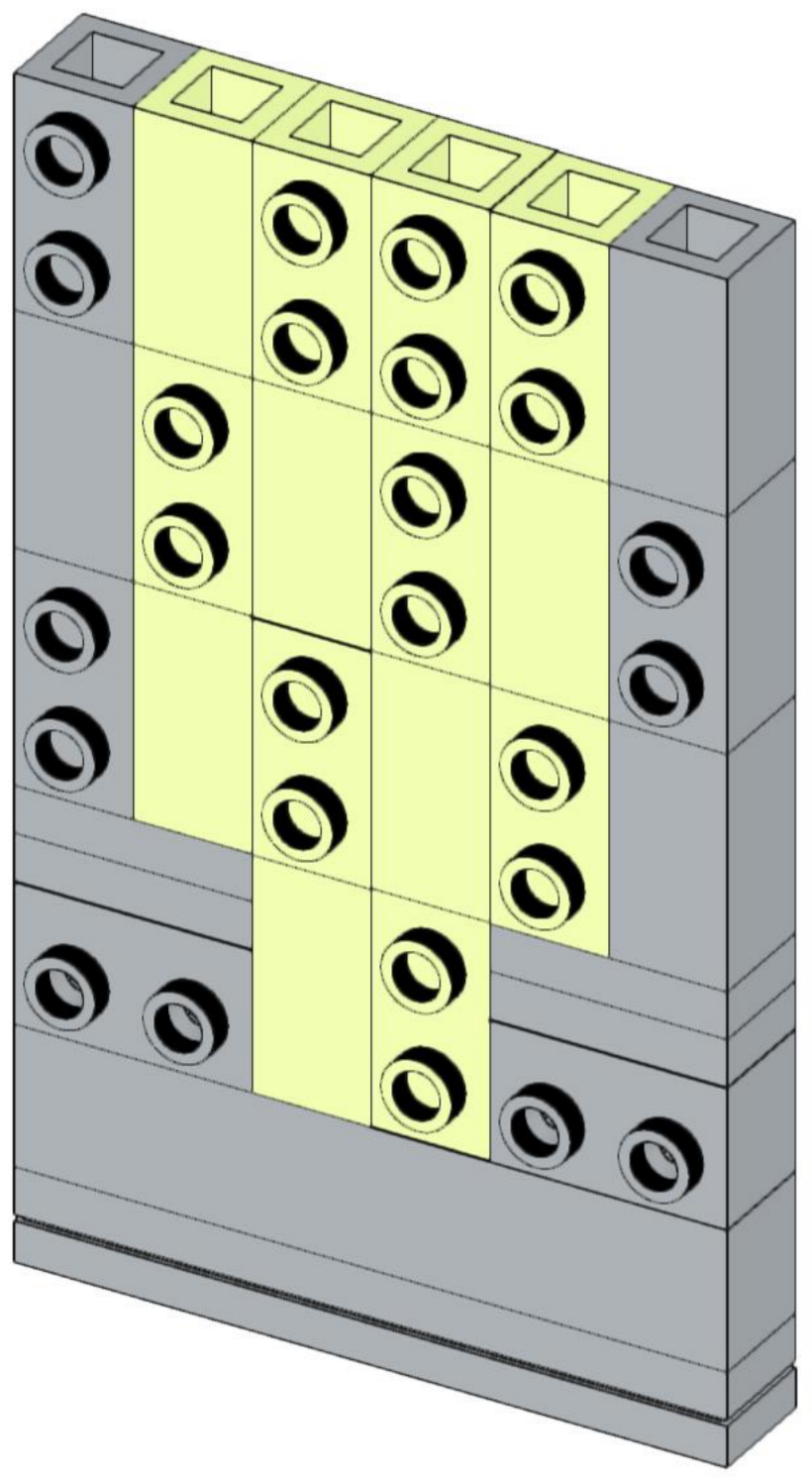
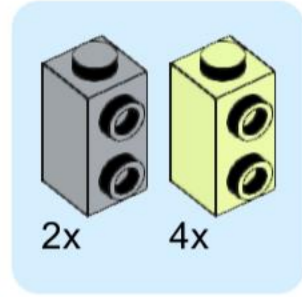
3



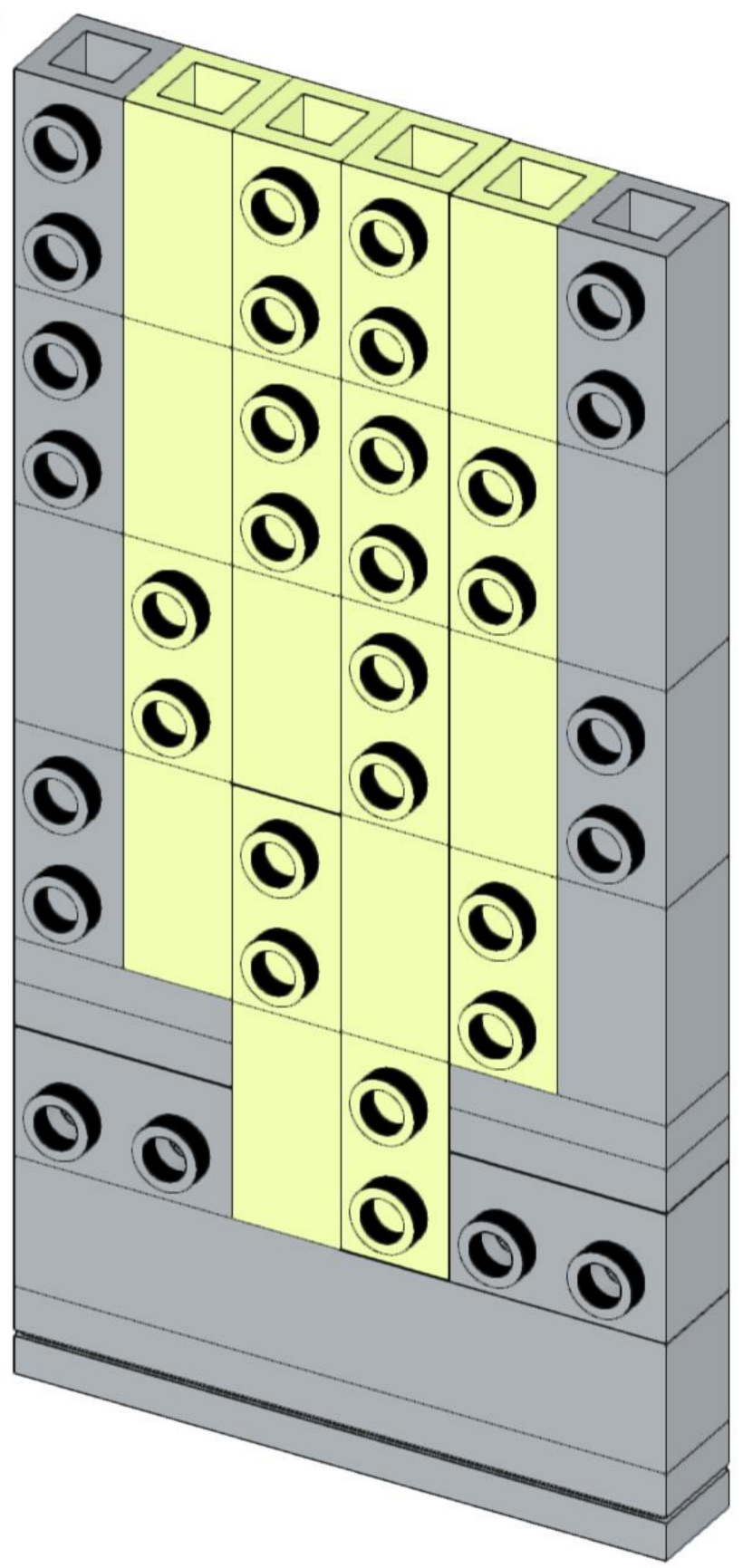
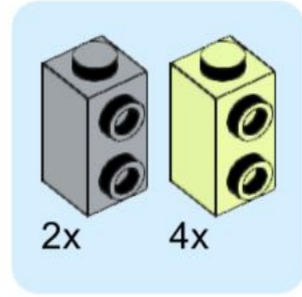
4

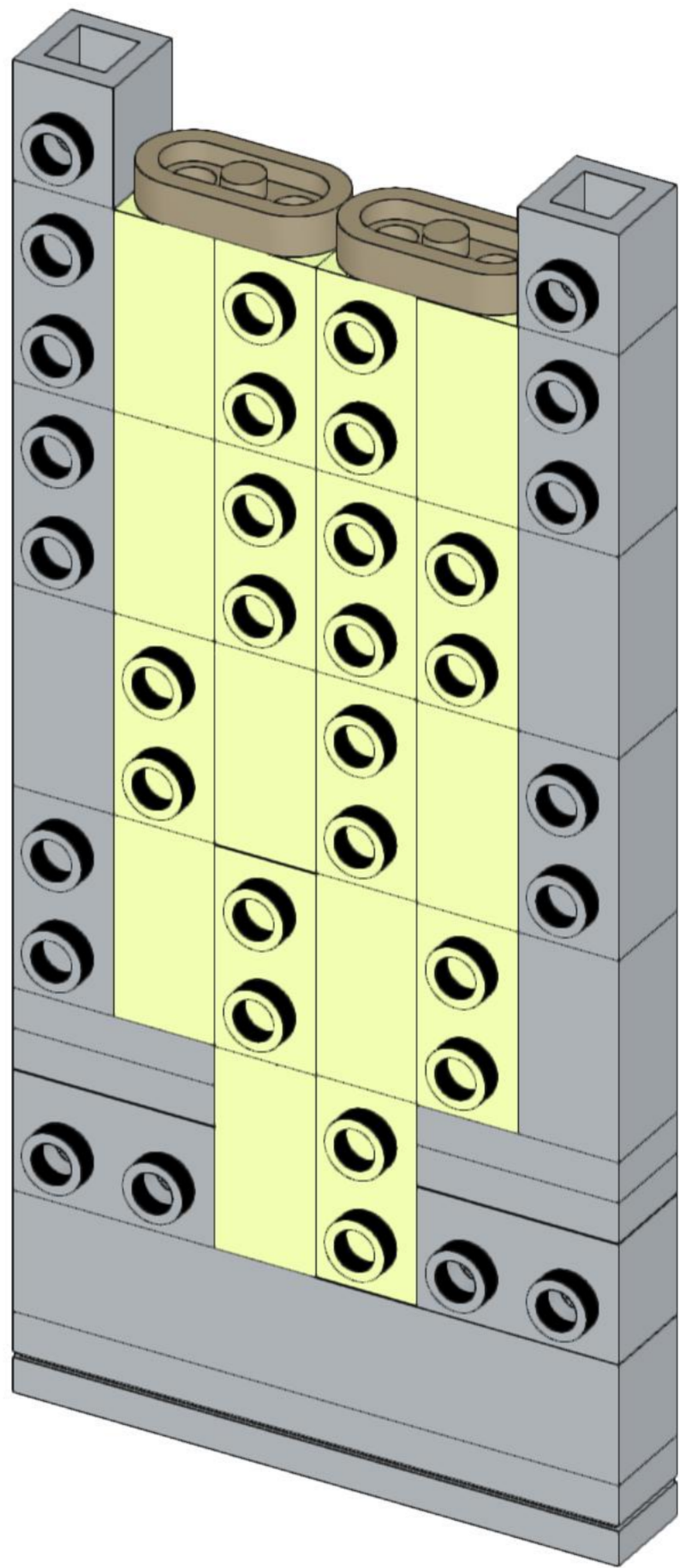
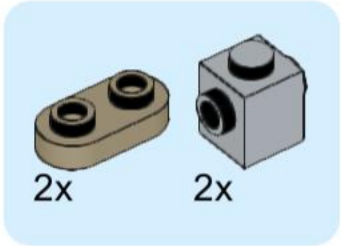


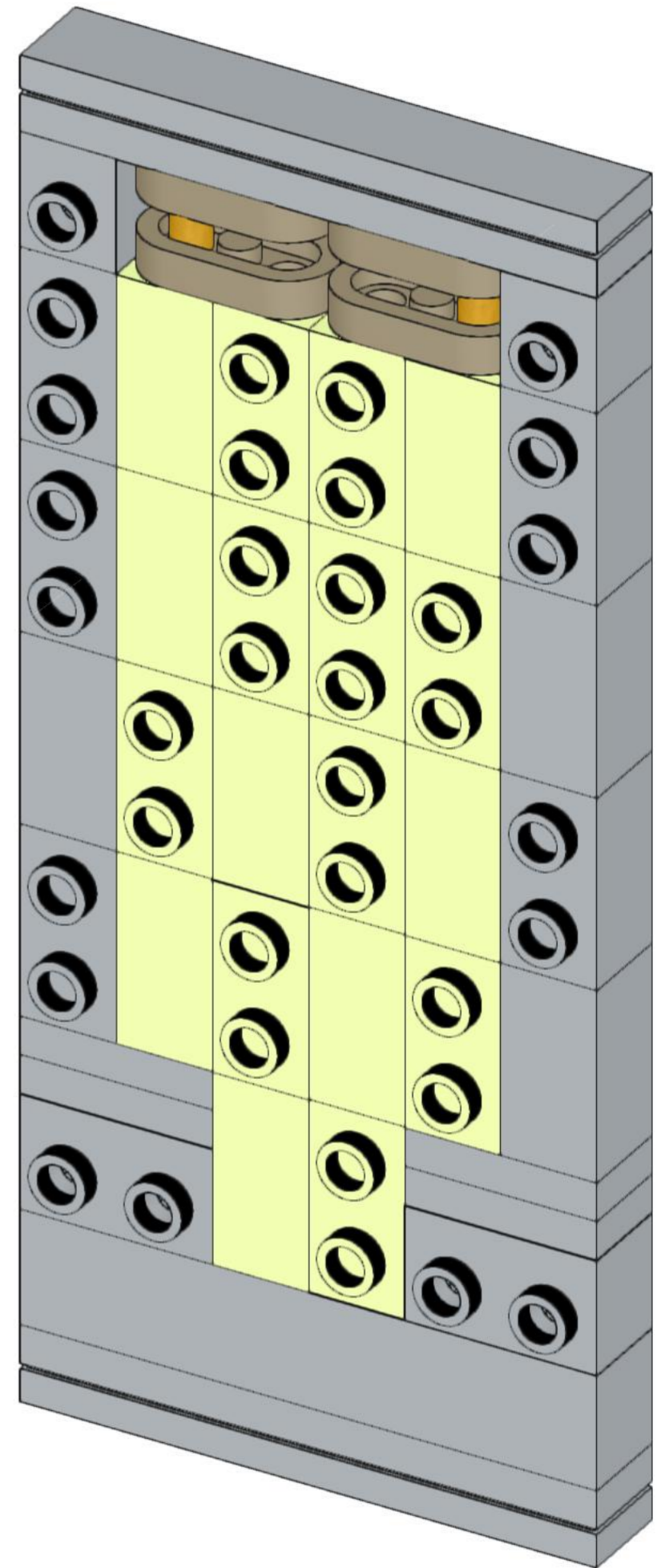
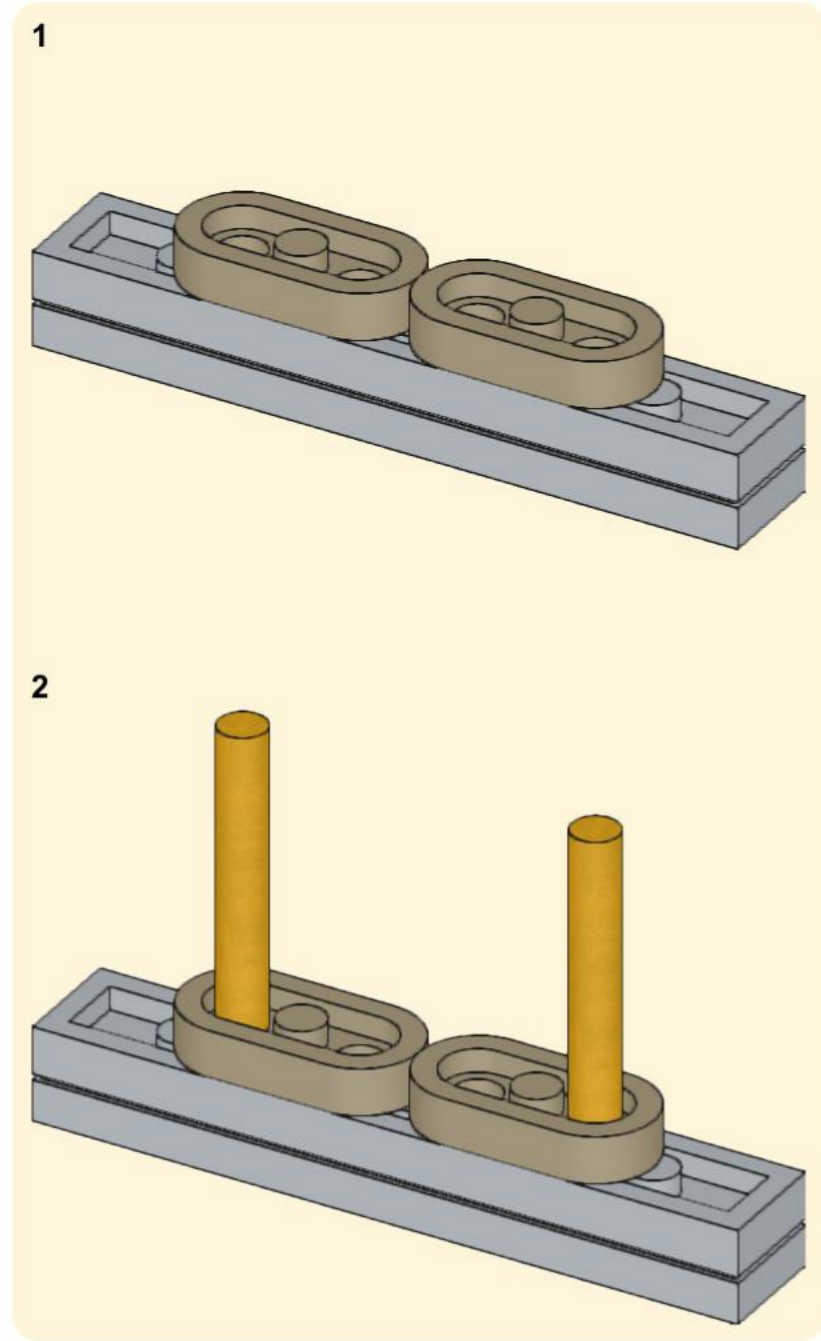
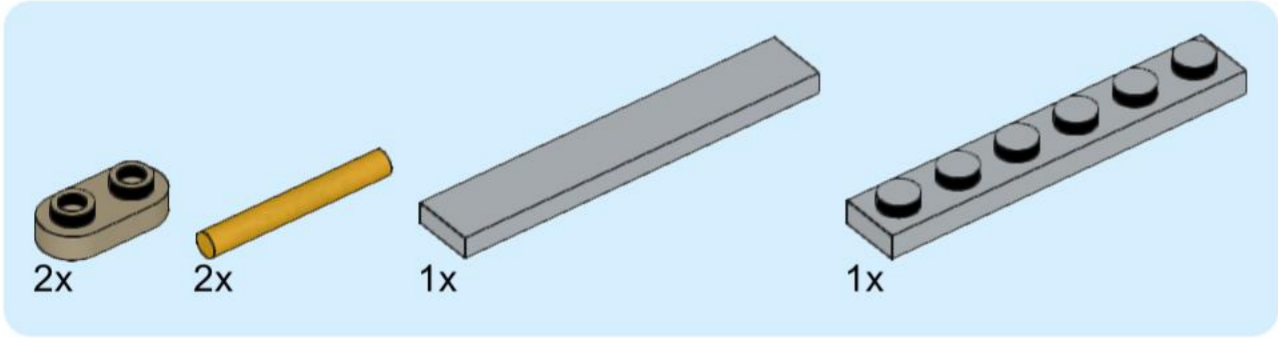
5



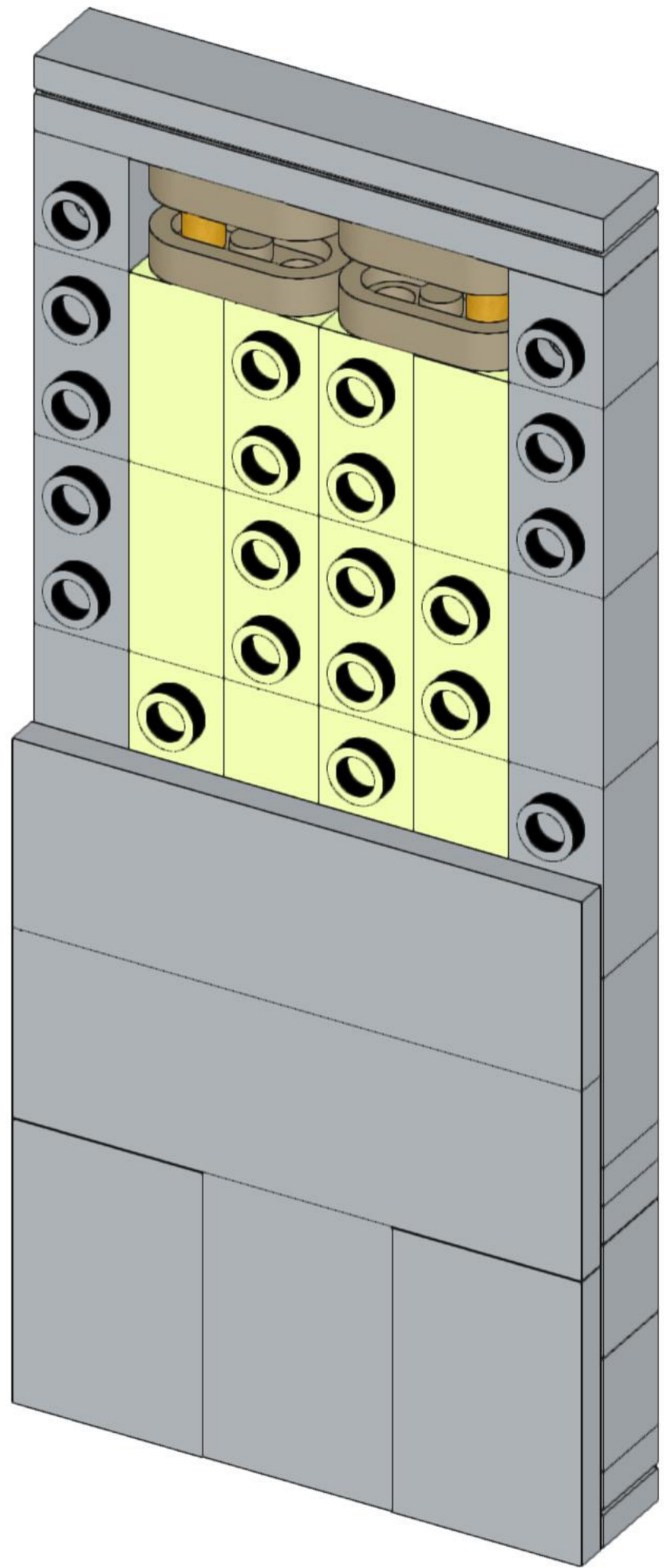
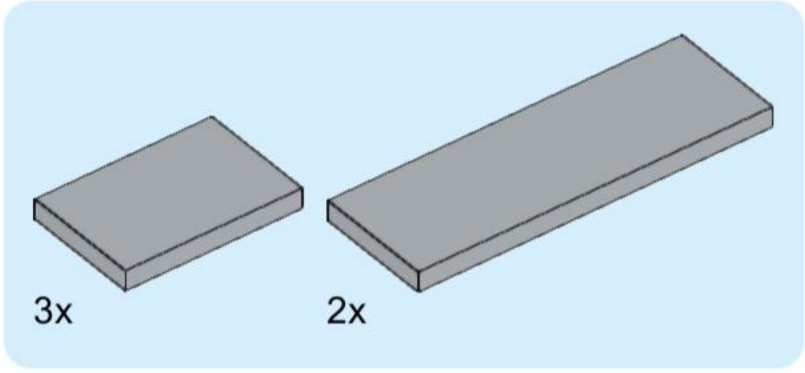
6

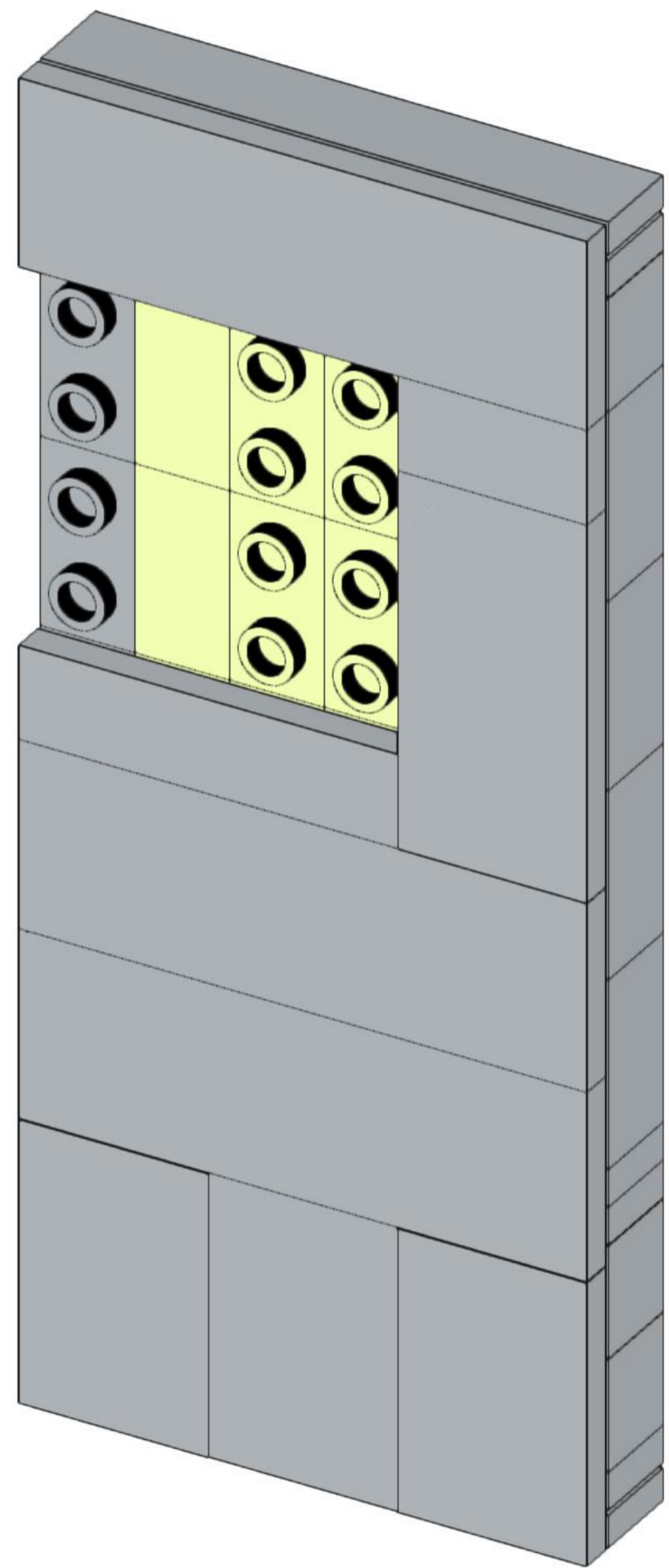
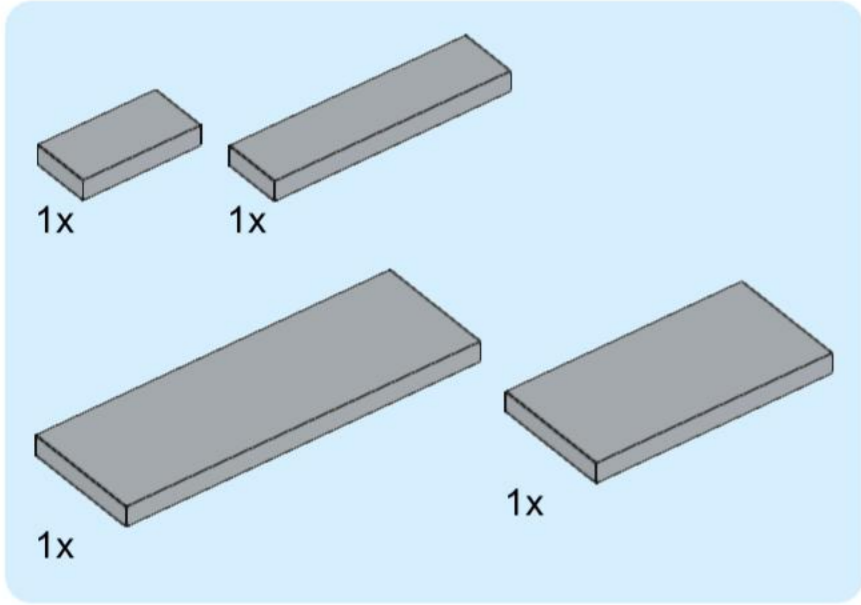




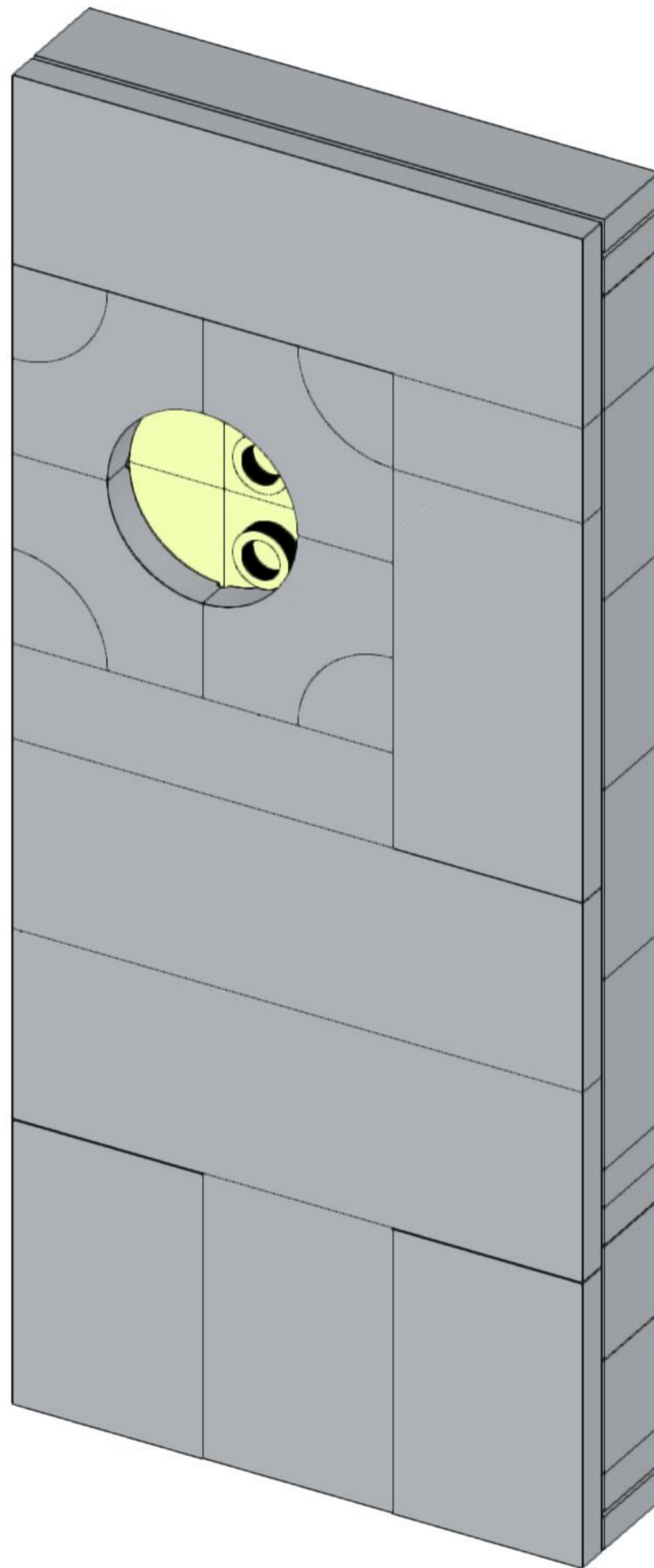
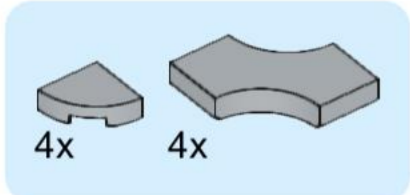


9

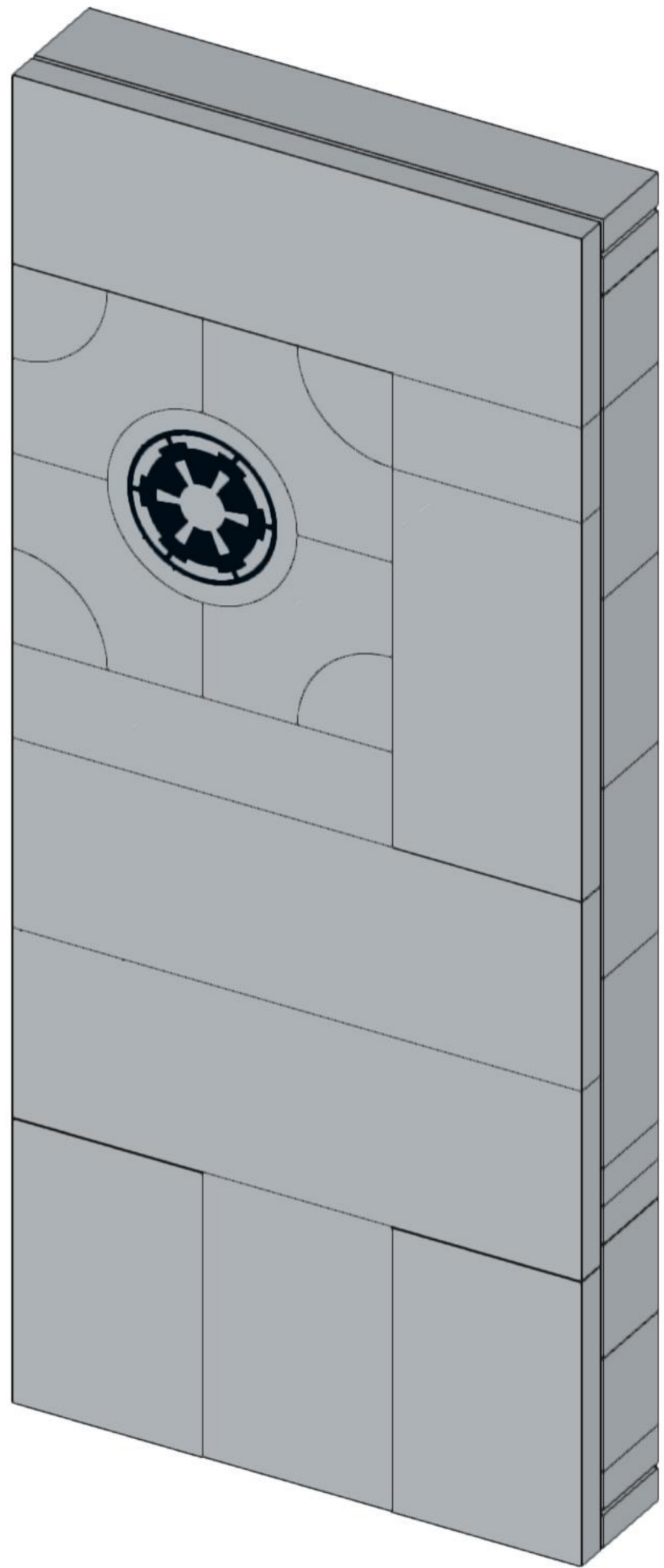


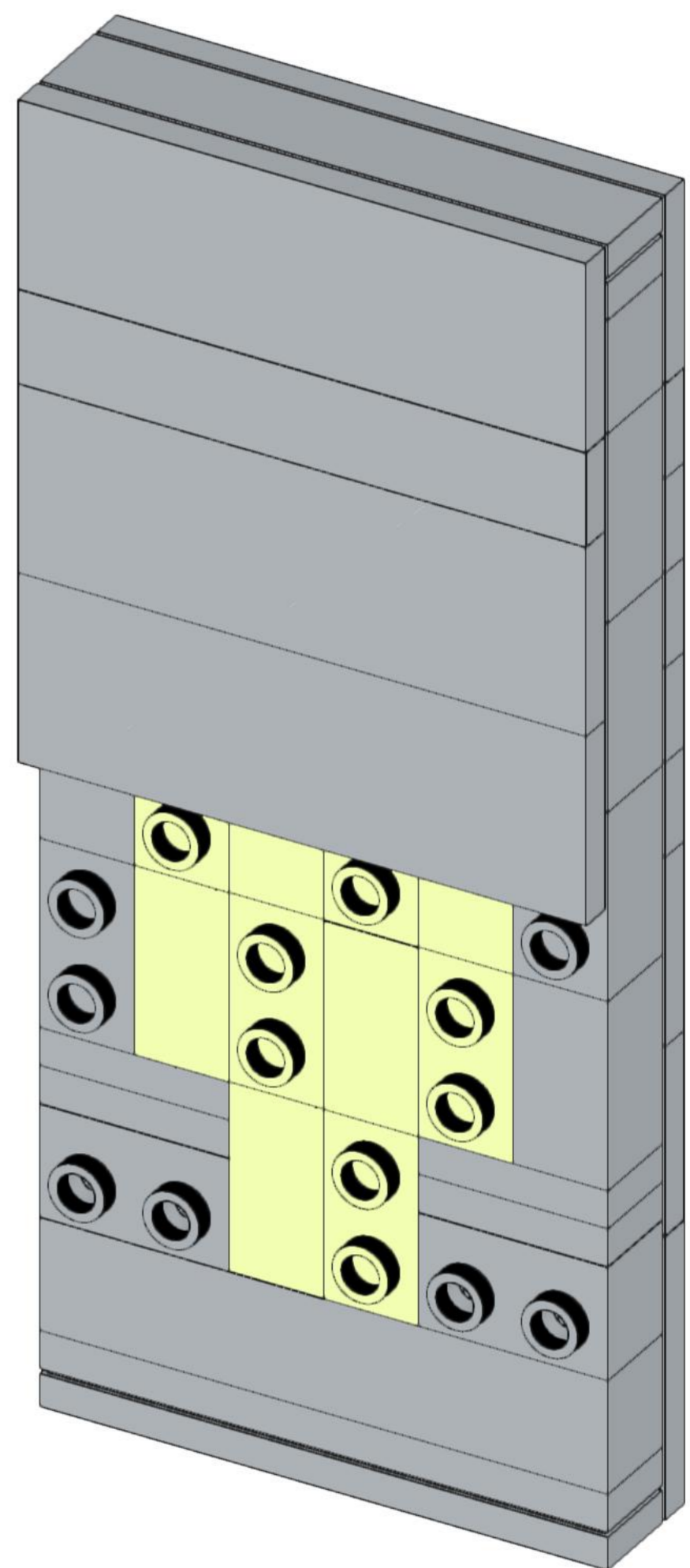
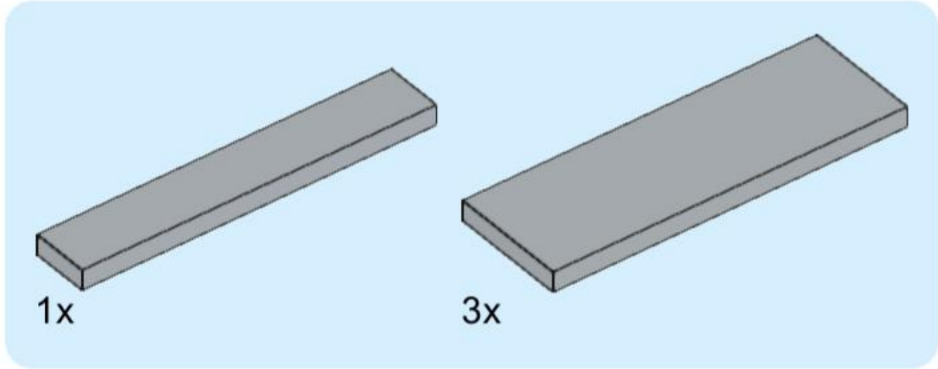


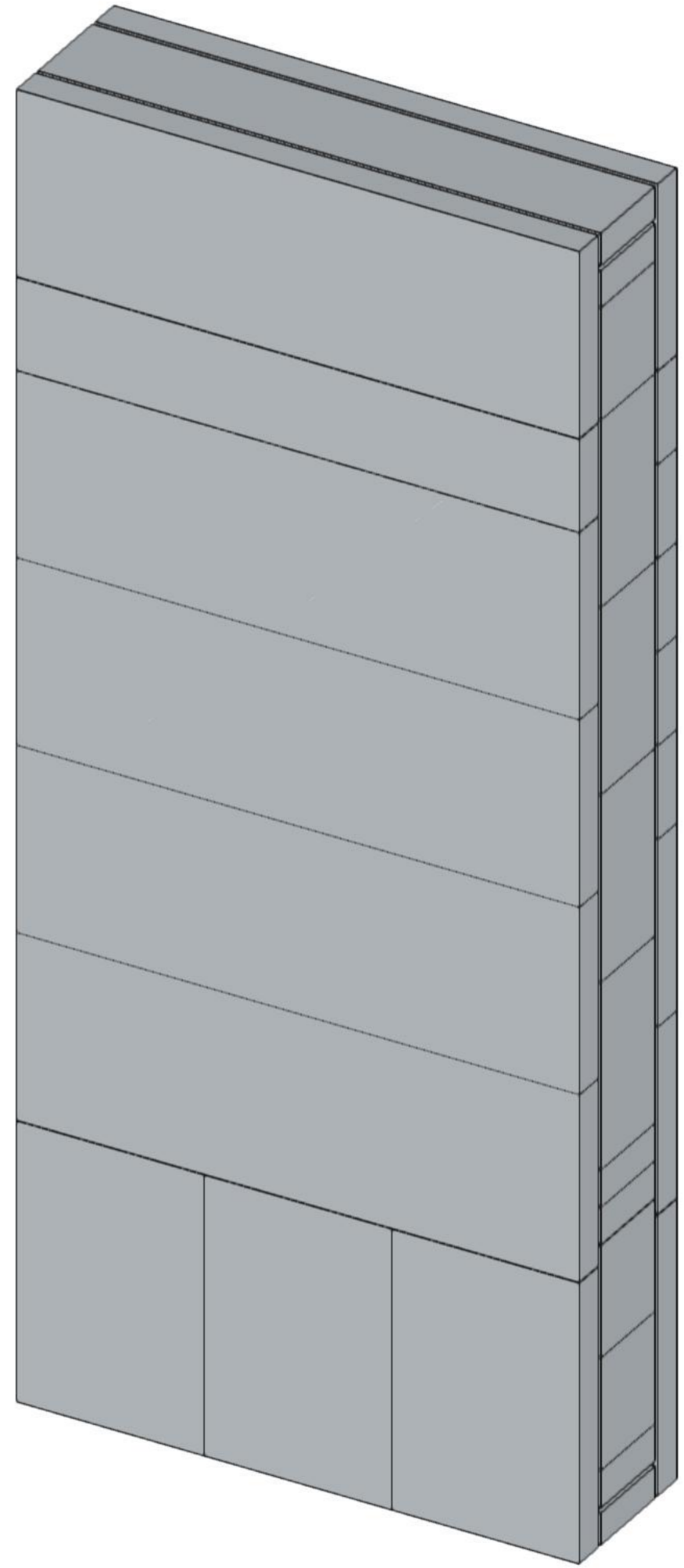
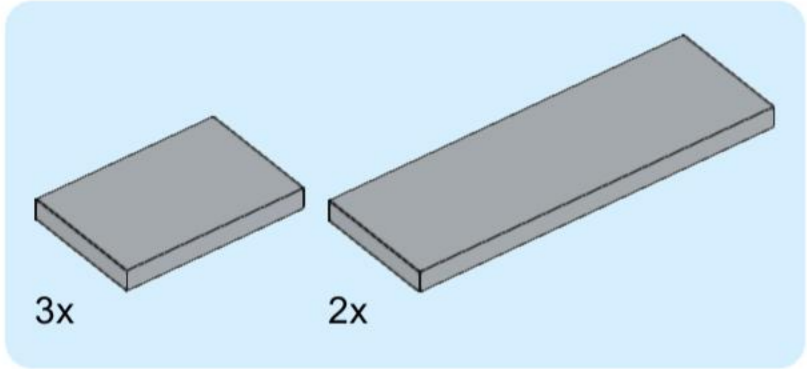
11

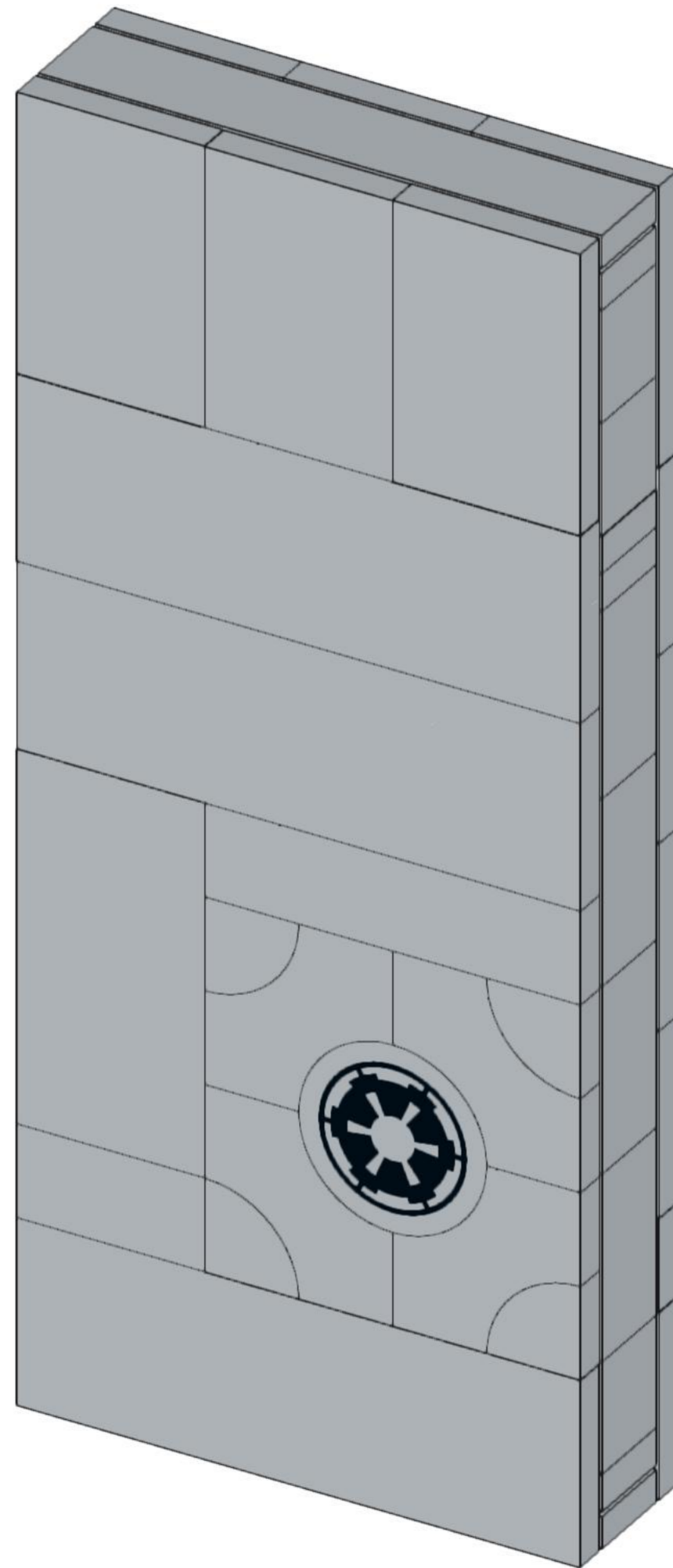


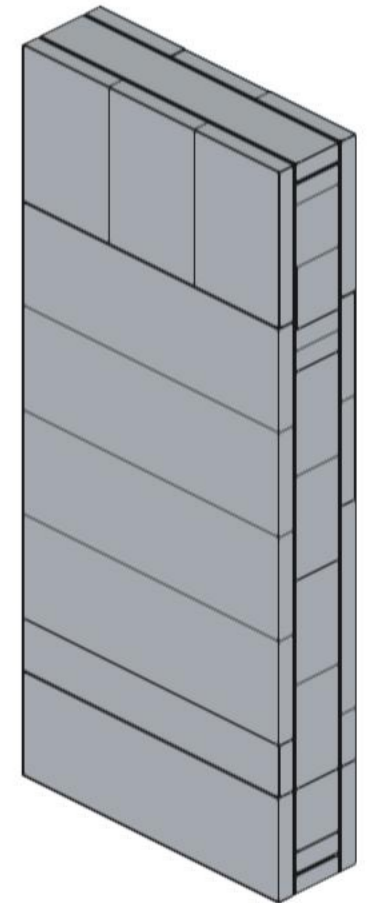
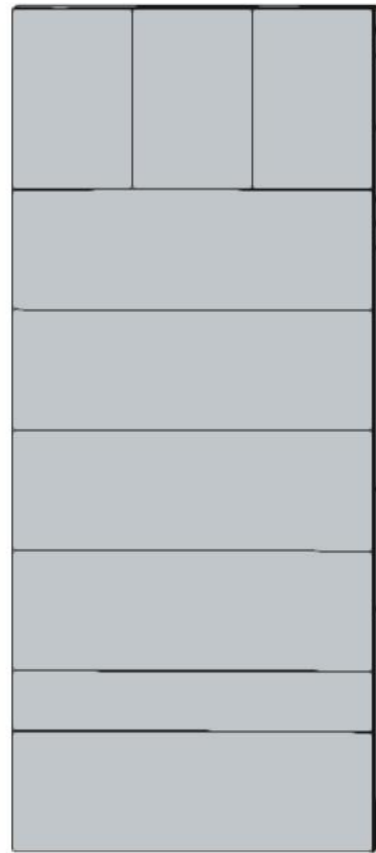
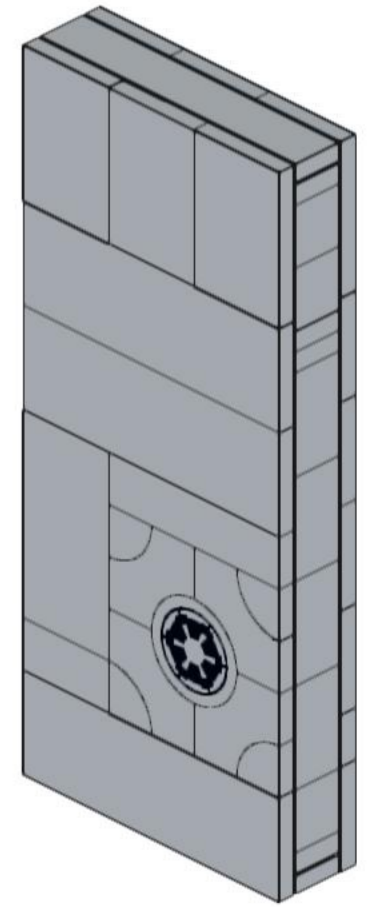
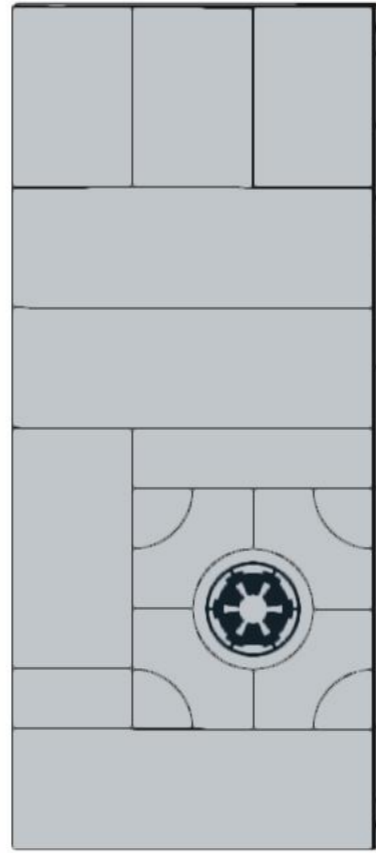
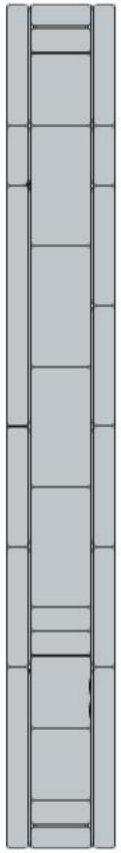
12

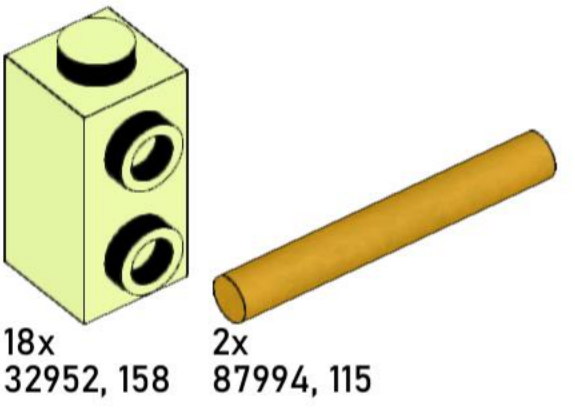
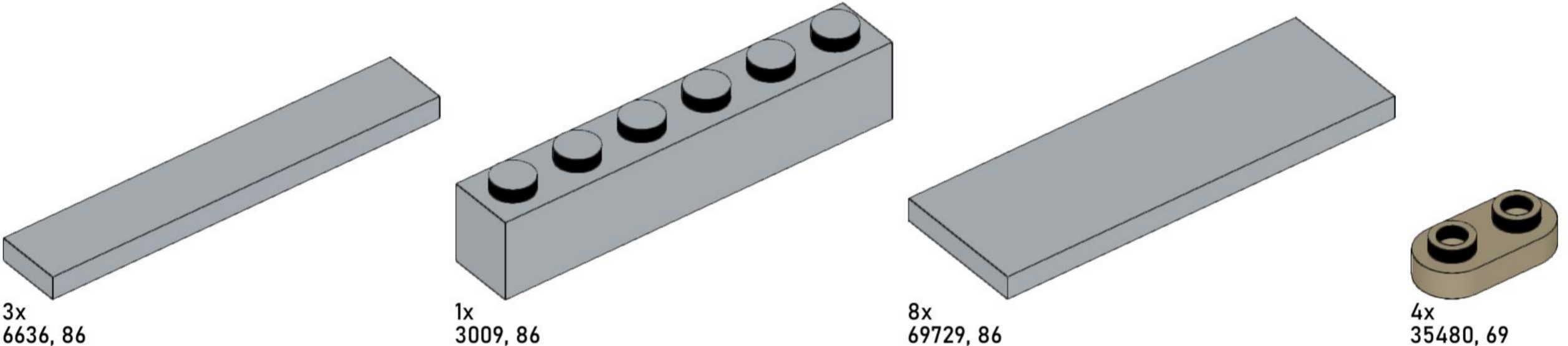
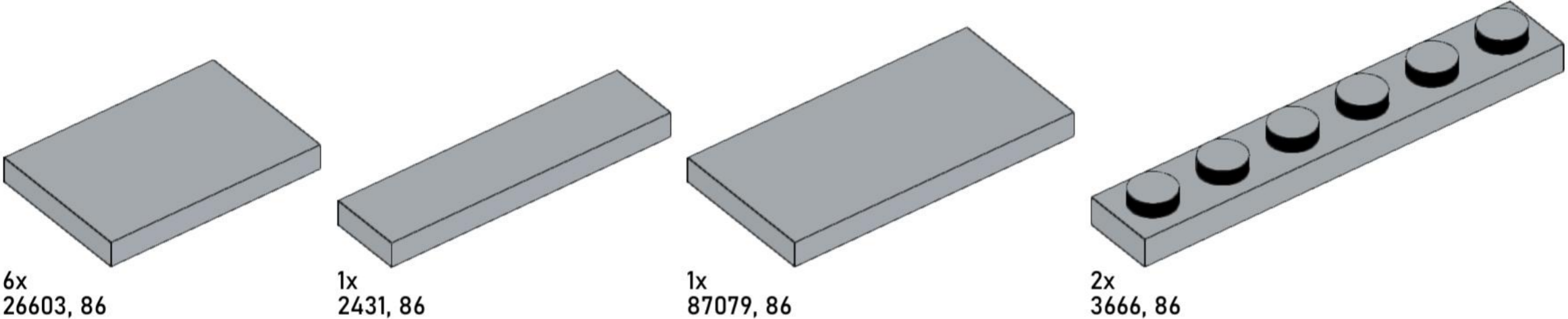
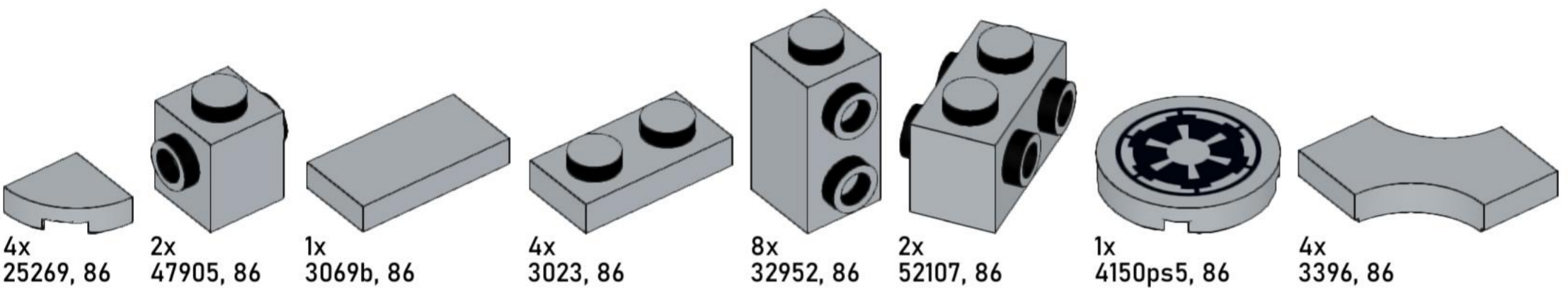














BESIKAR

