





dorianbricktron.com





Original content by Dorian Bricktron
Free download at dorianbricktron.com

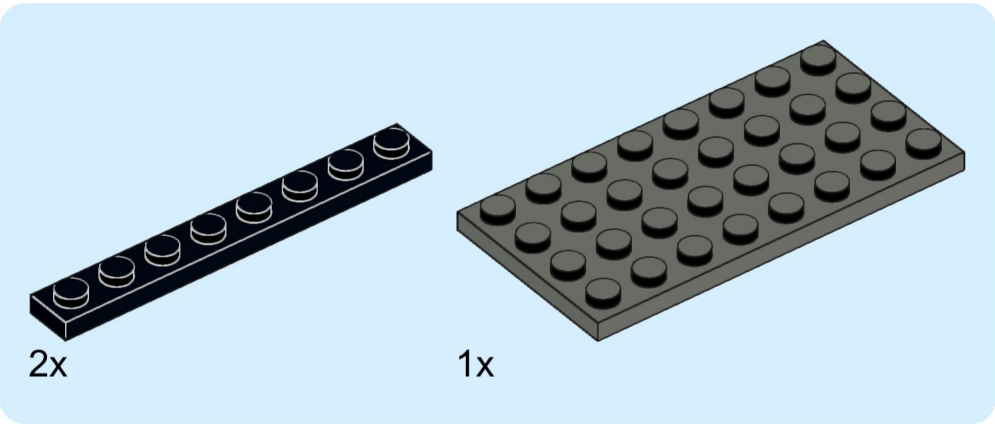
CAUTION

**SPECIFIC DESIGN
NOT AS STURDY AS A REGULAR SET**

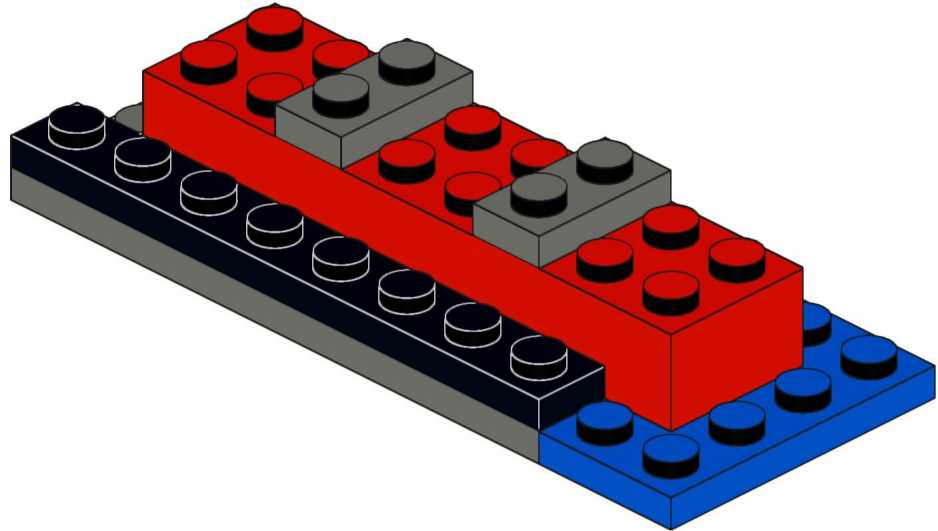
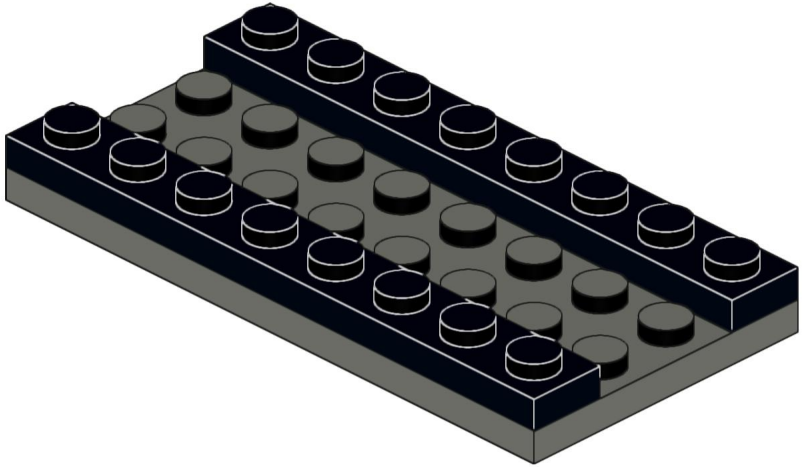
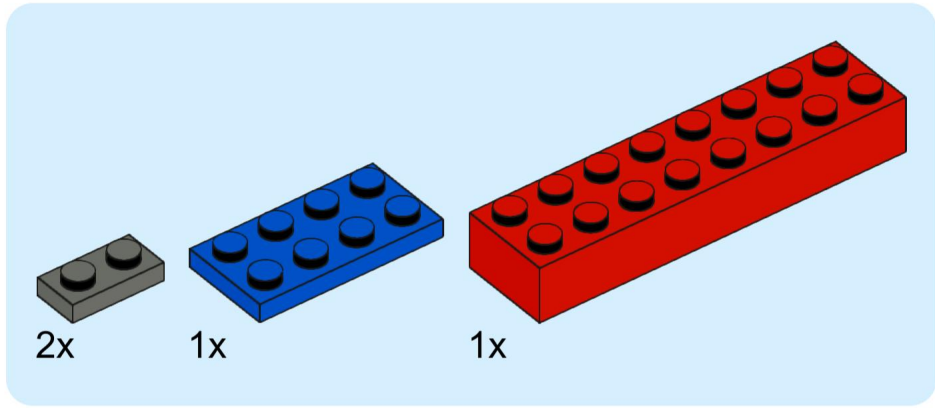
**MIGHT INCLUDE "ILLEGAL BUILDING
TECHNIQUES" & WEAK CONNECTIONS**

**BENDING OF THE MATERIALS CAN CAUSE
PERMANENT DAMAGE**

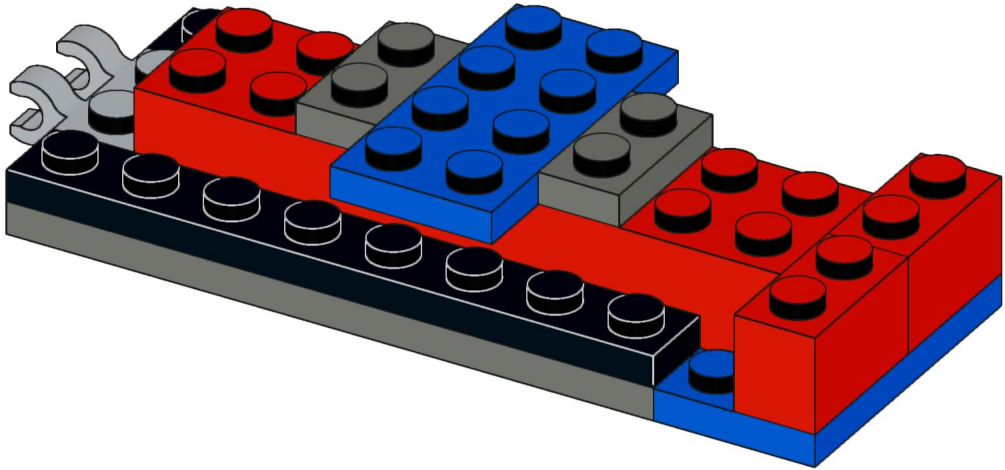
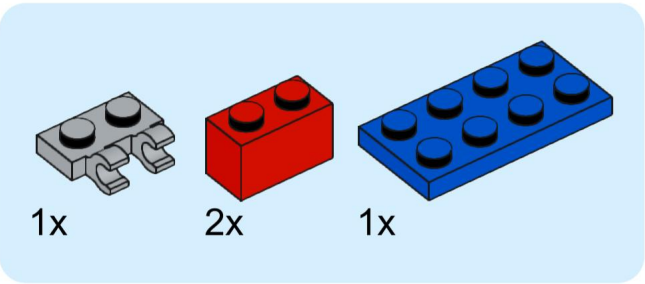
1



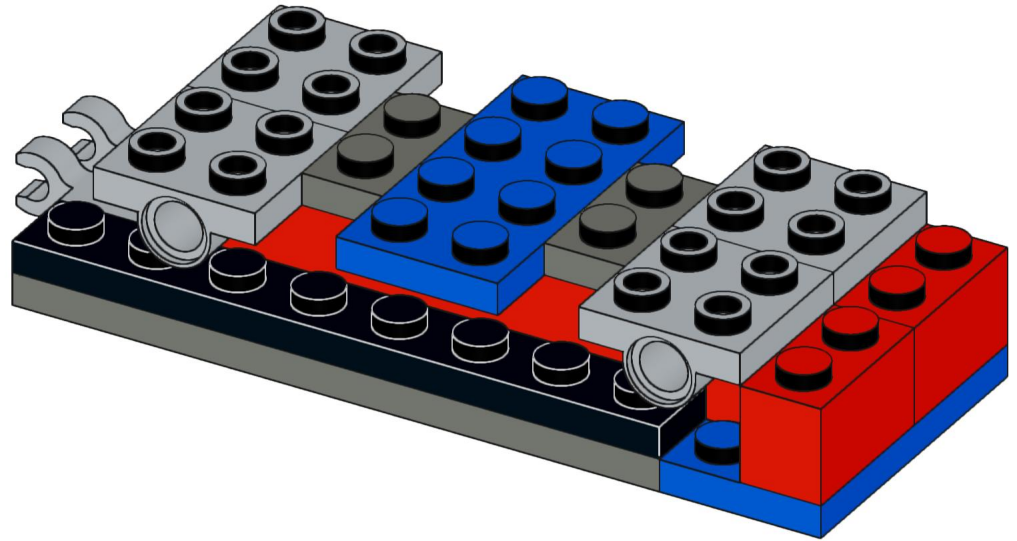
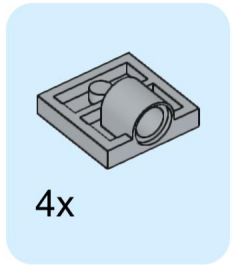
2



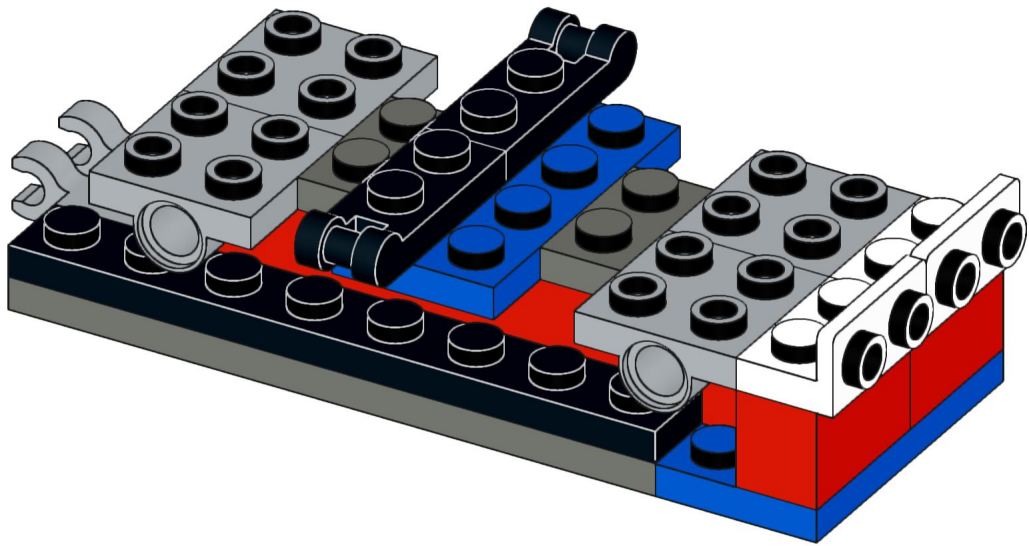
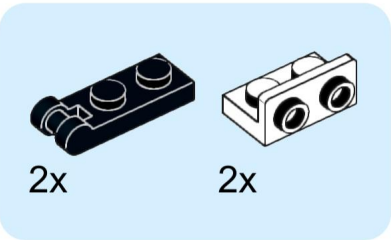
3



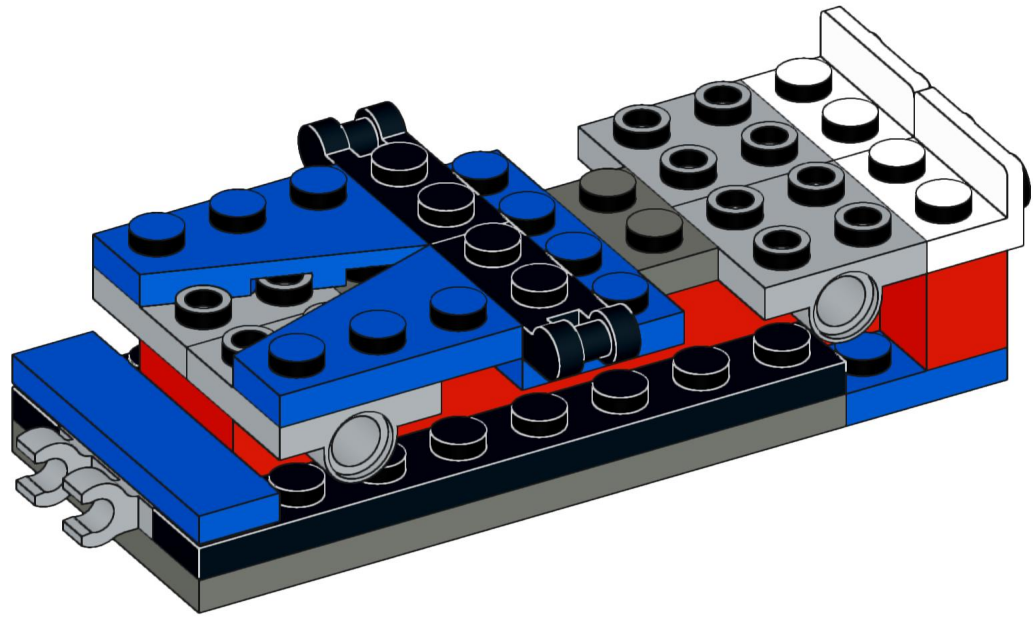
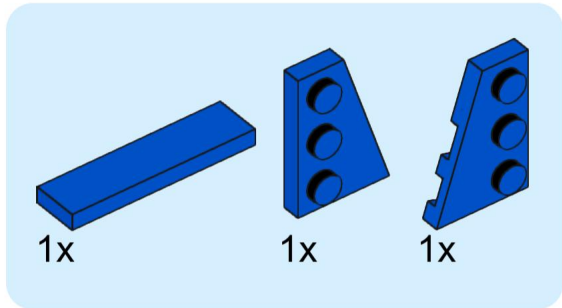
4



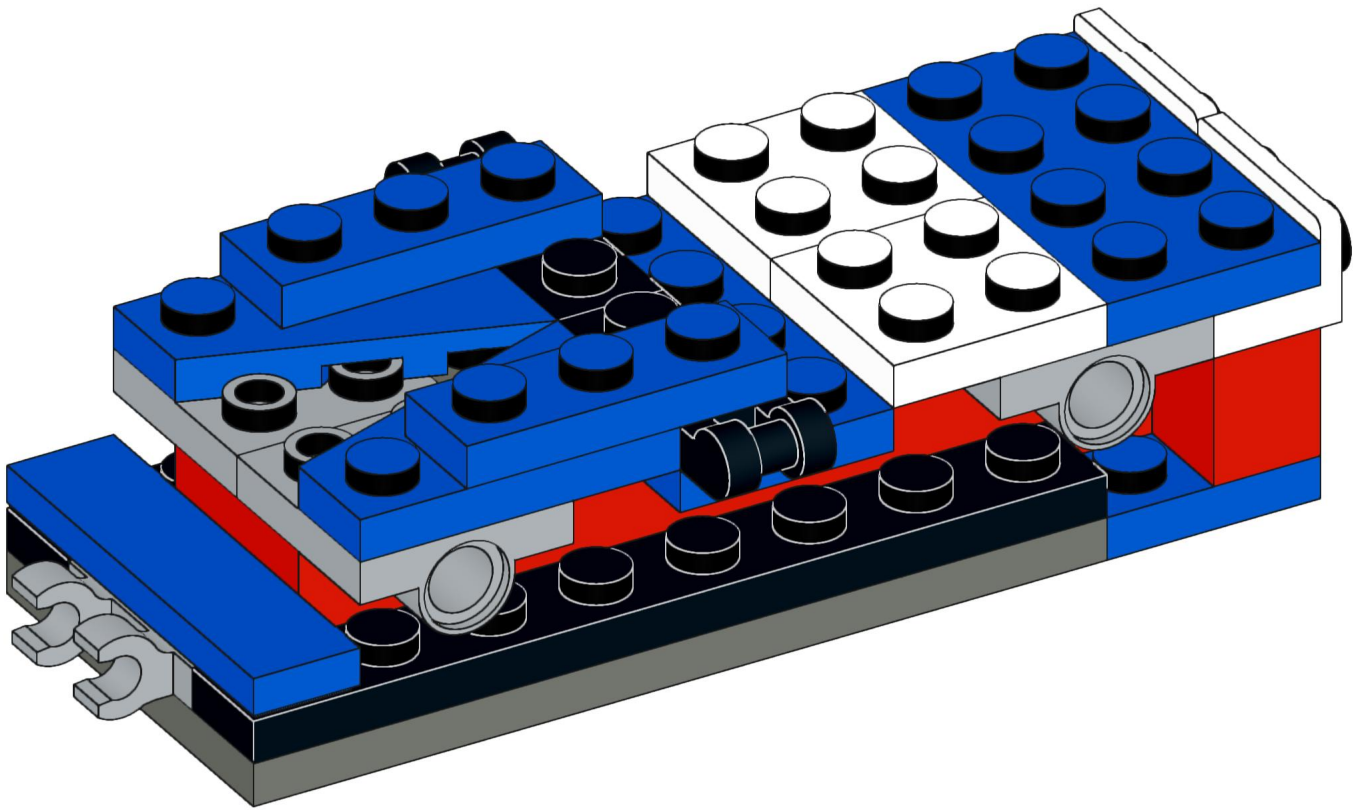
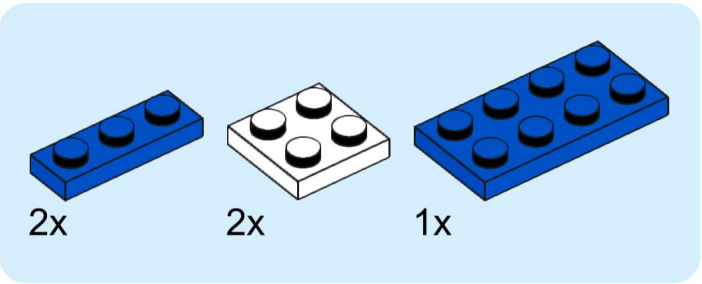
5



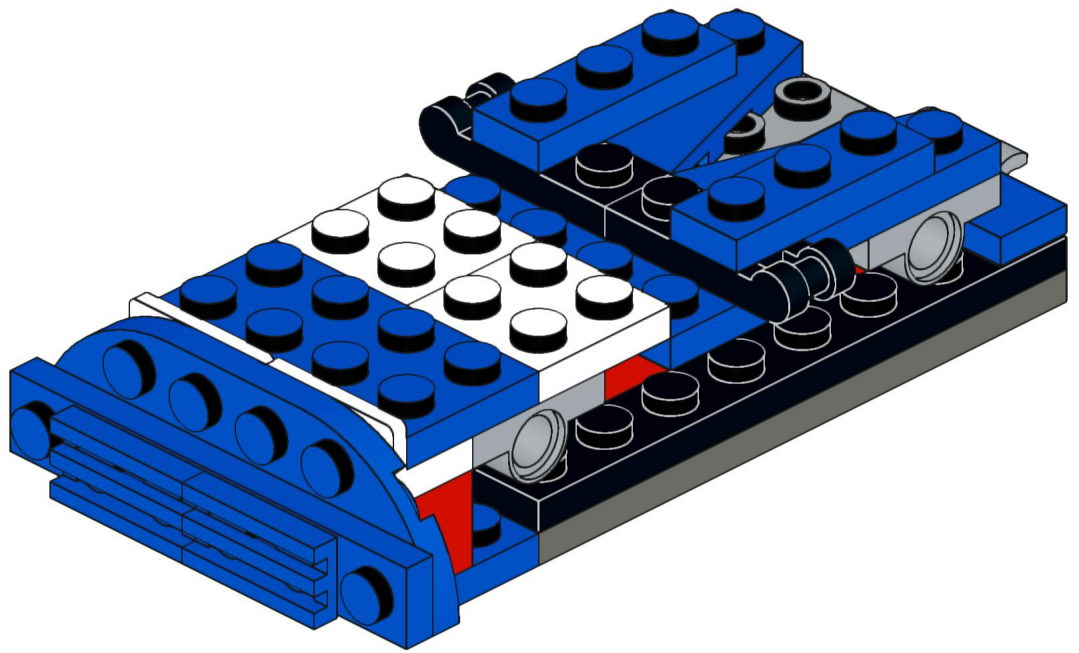
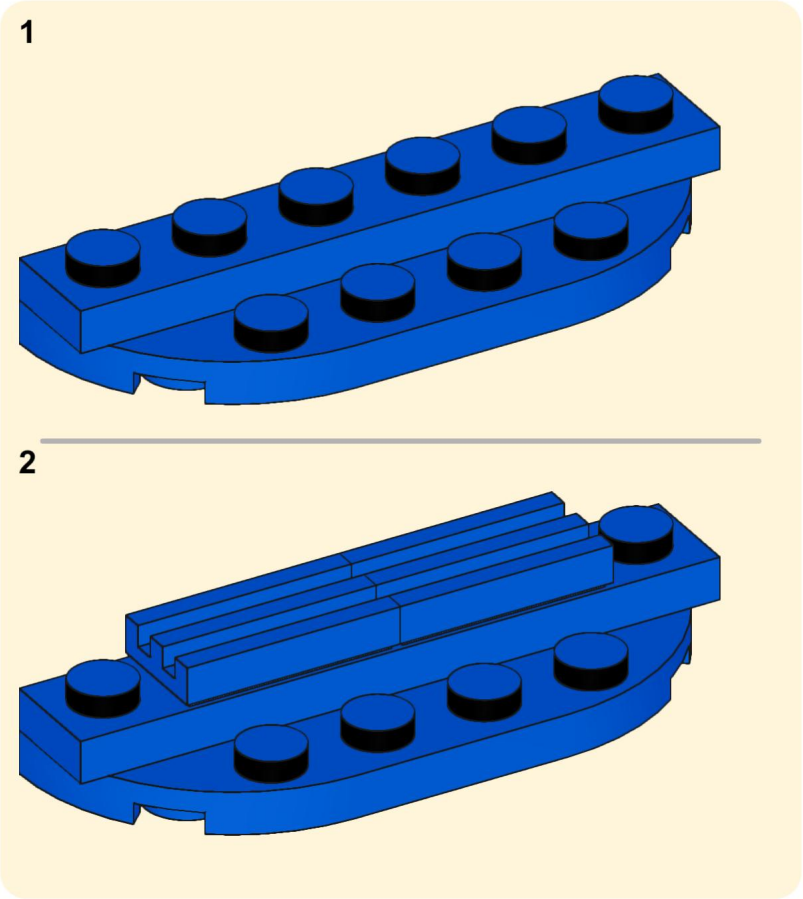
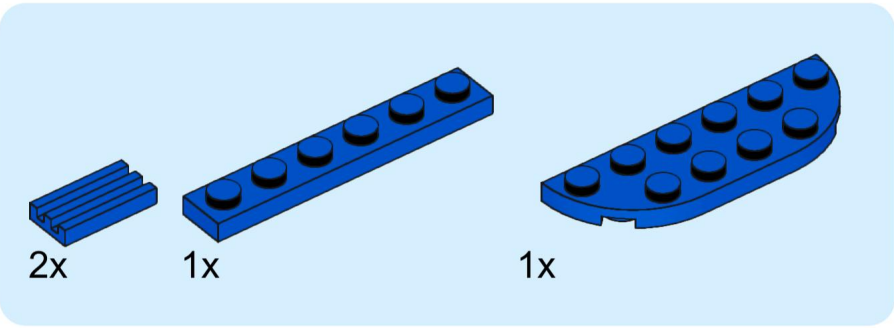
6



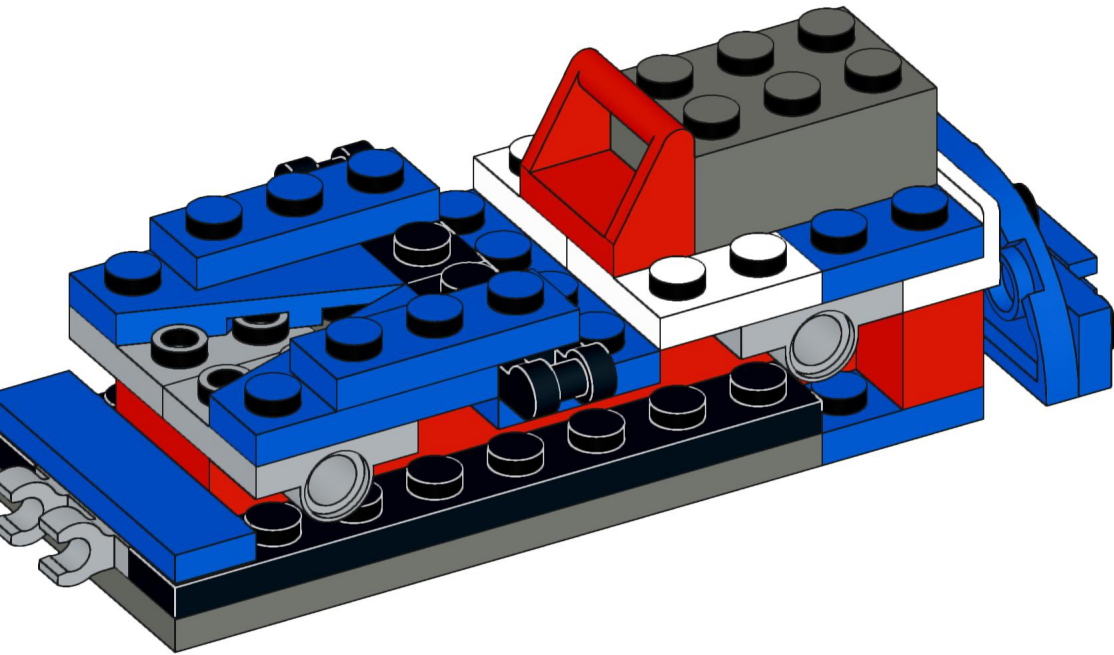
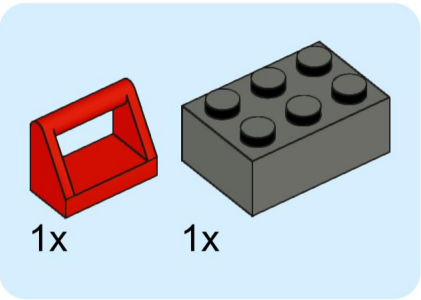
7



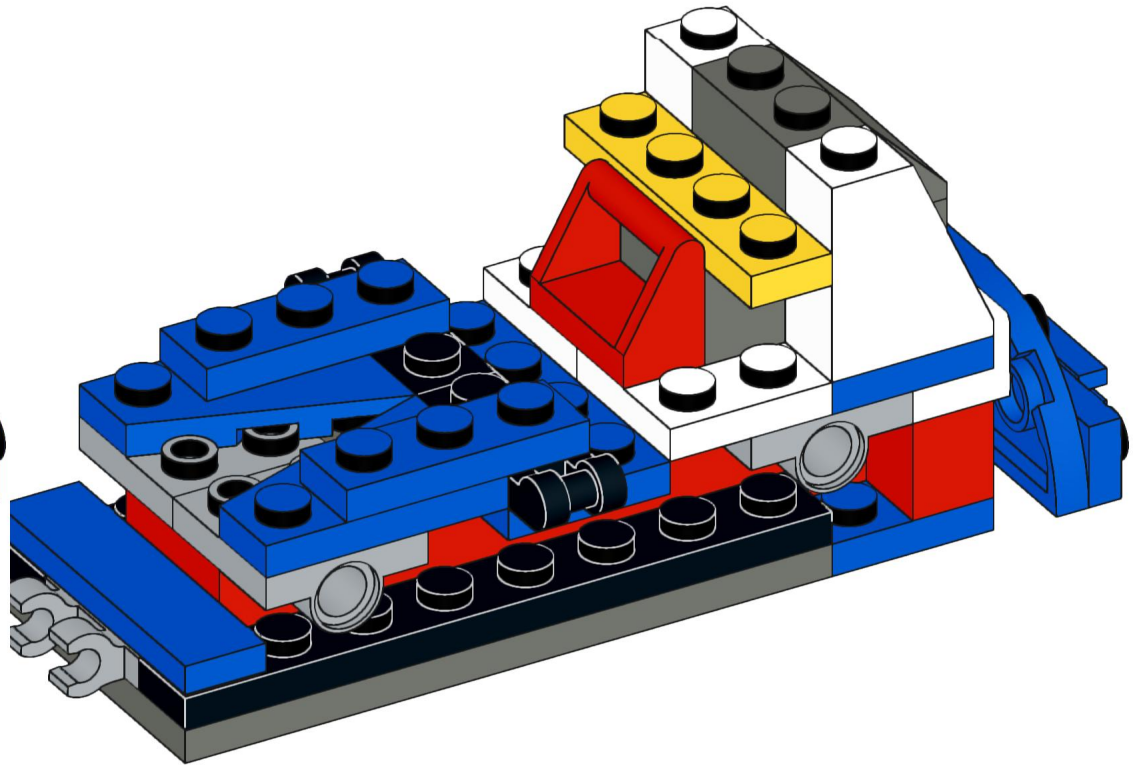
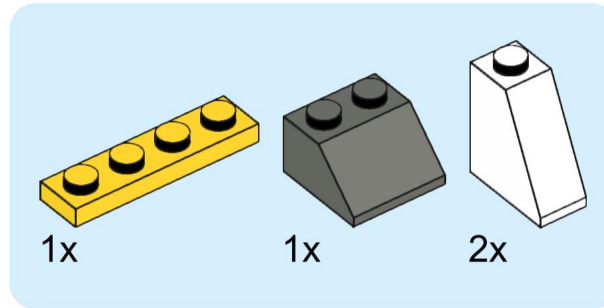
8



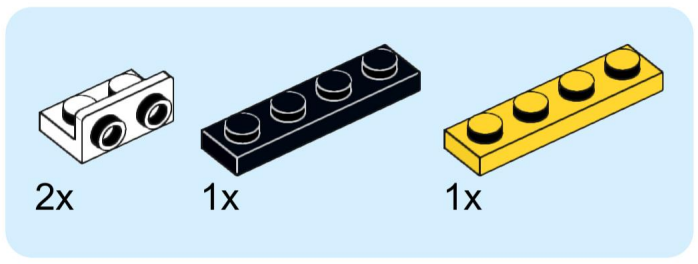
9



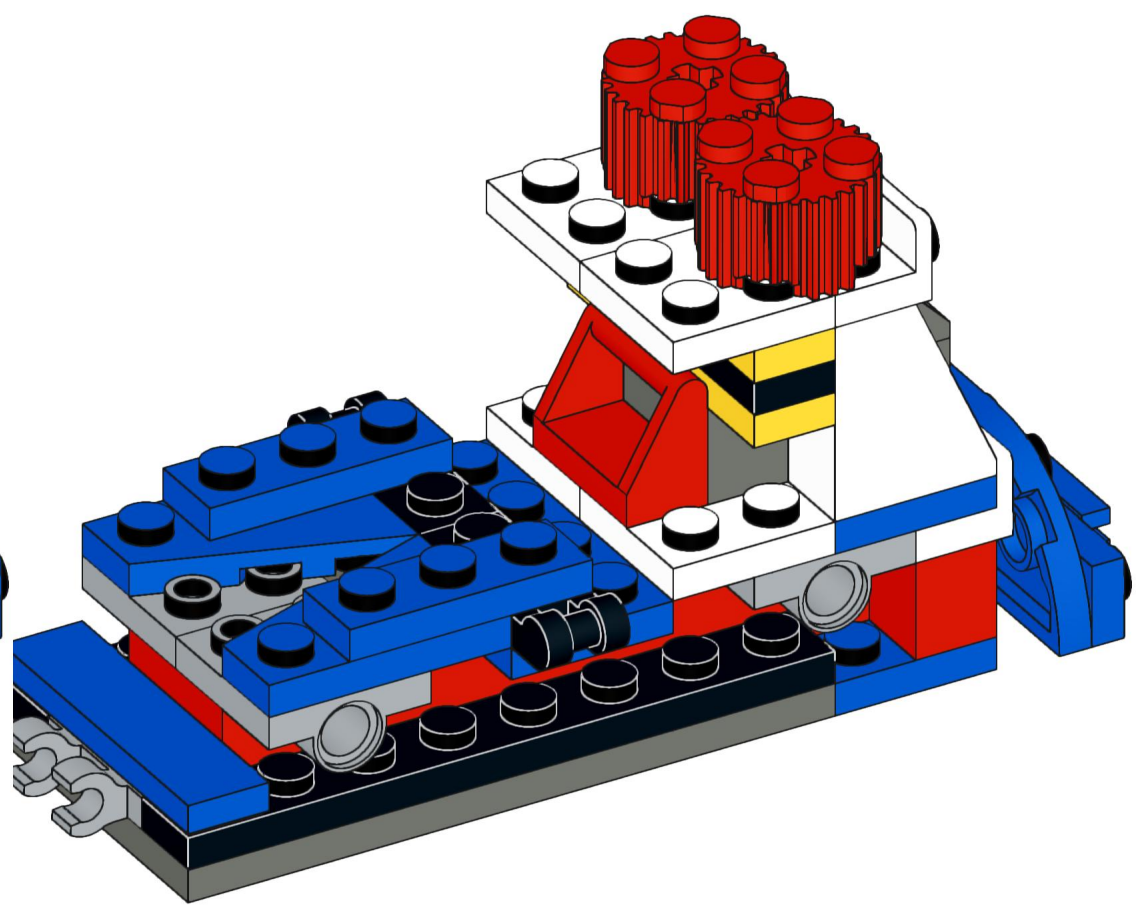
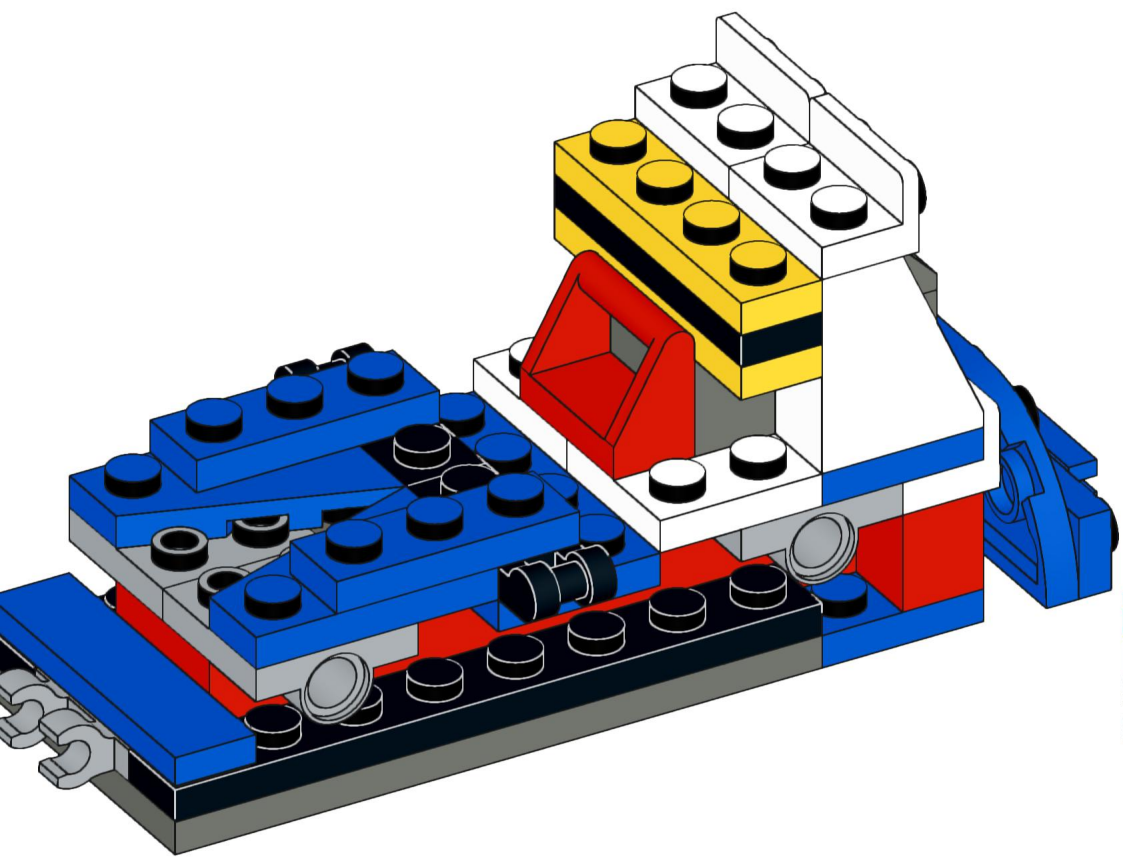
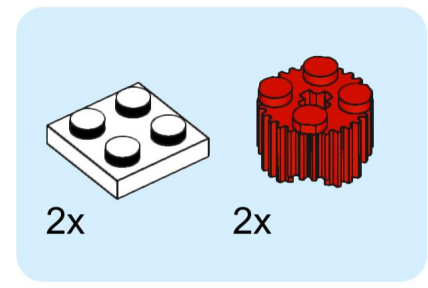
10



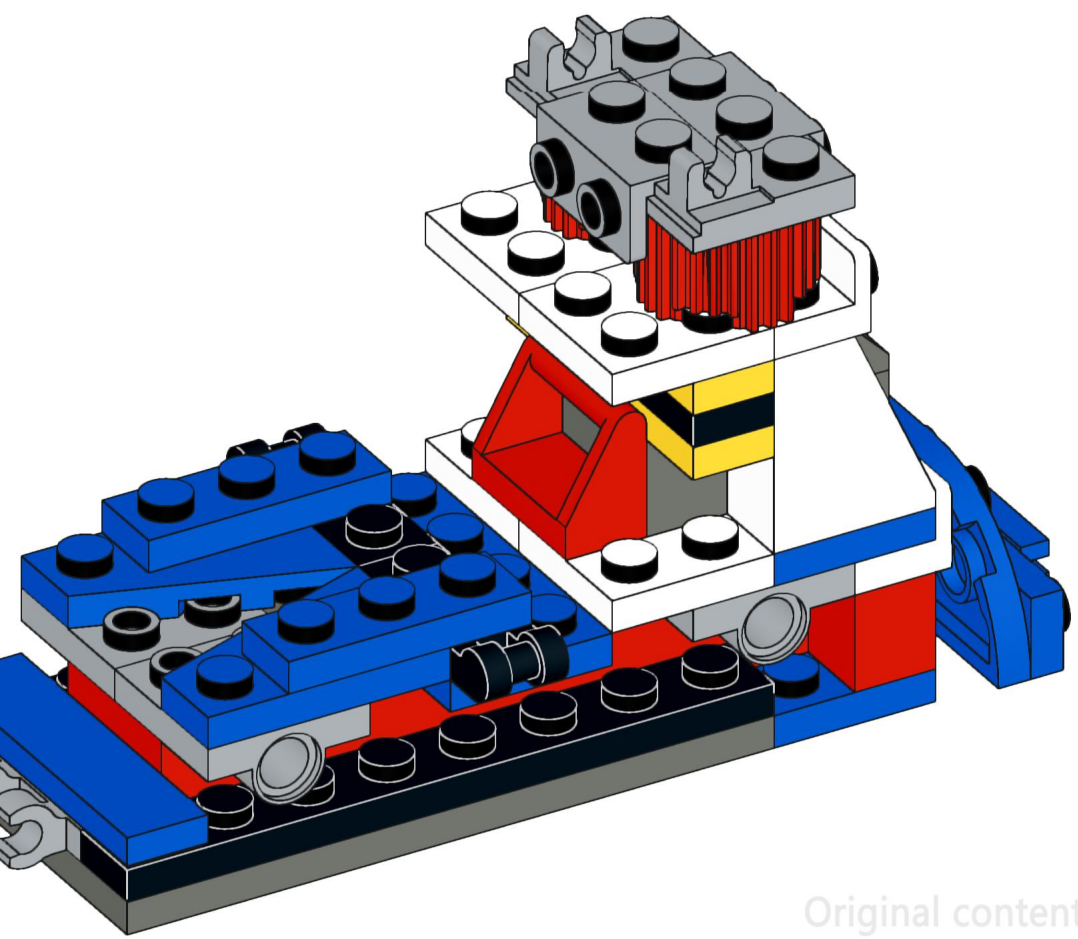
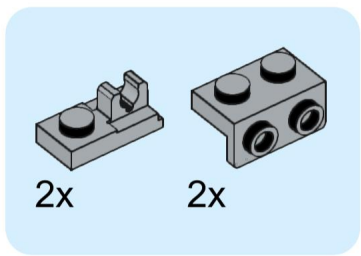
11



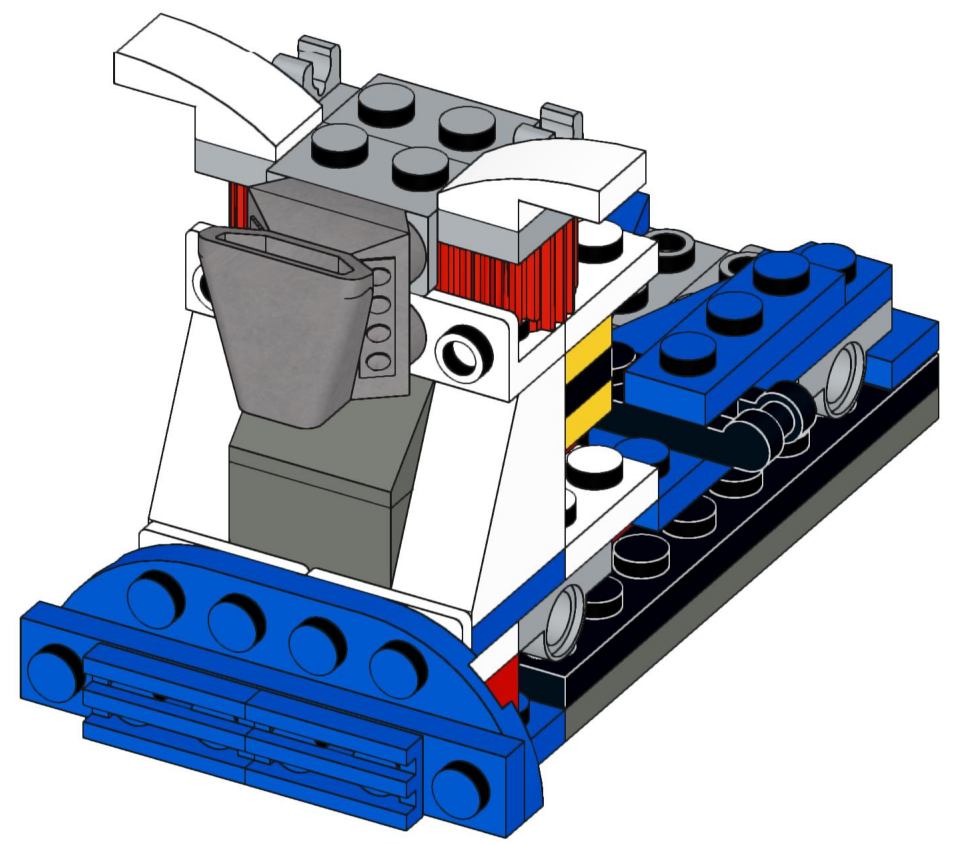
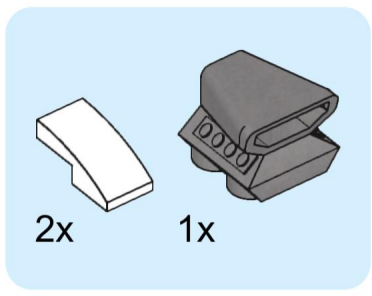
12



13

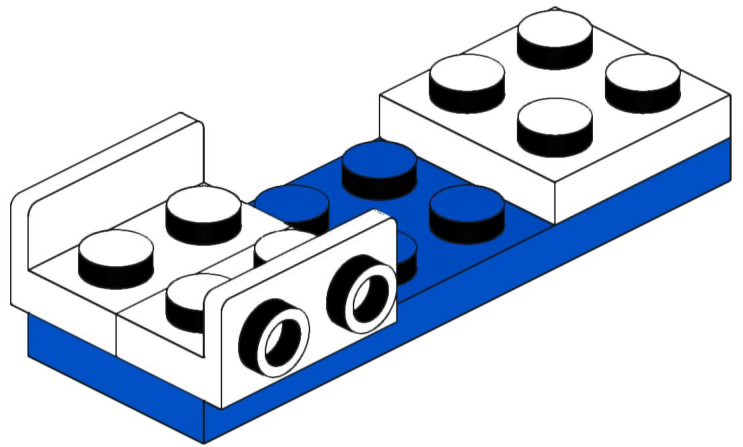
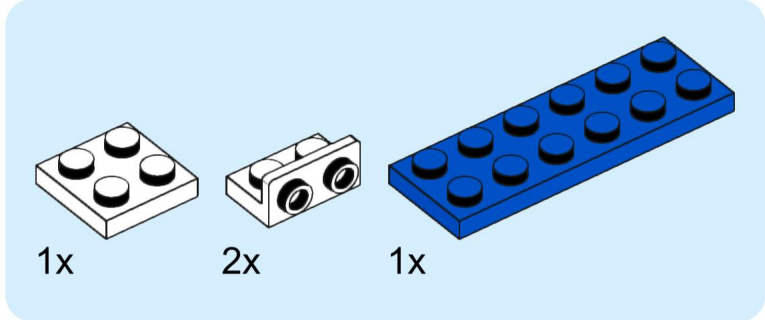


14

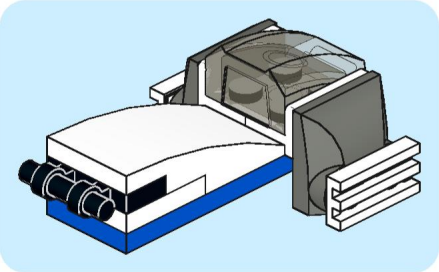
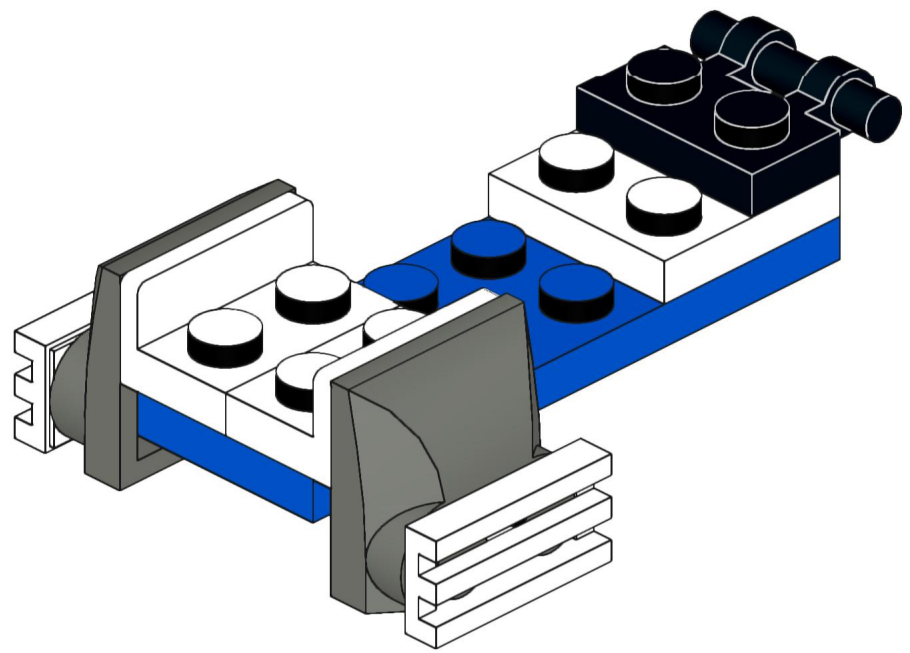
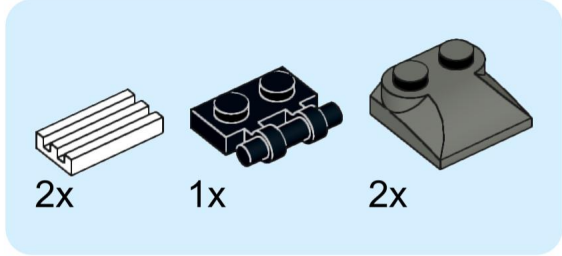


Original content by Dorian Bricktron
Free download at dorianbricktron.com

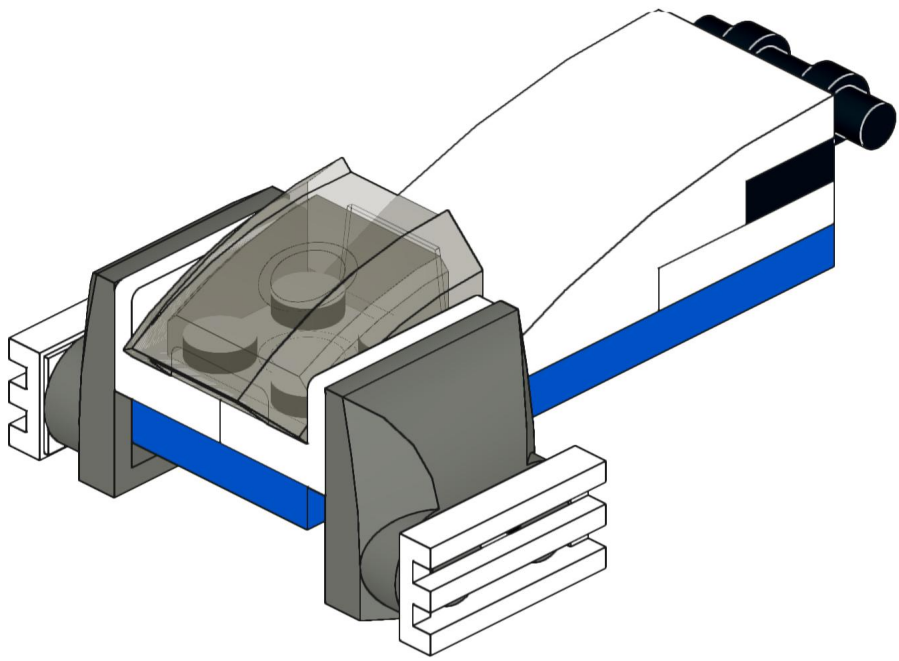
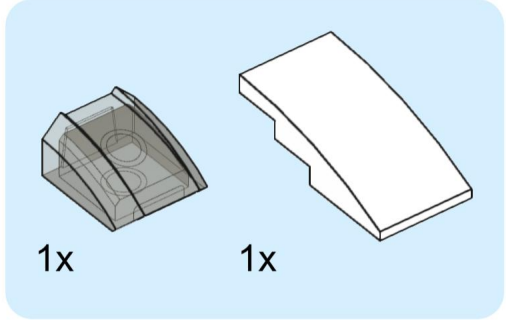
15



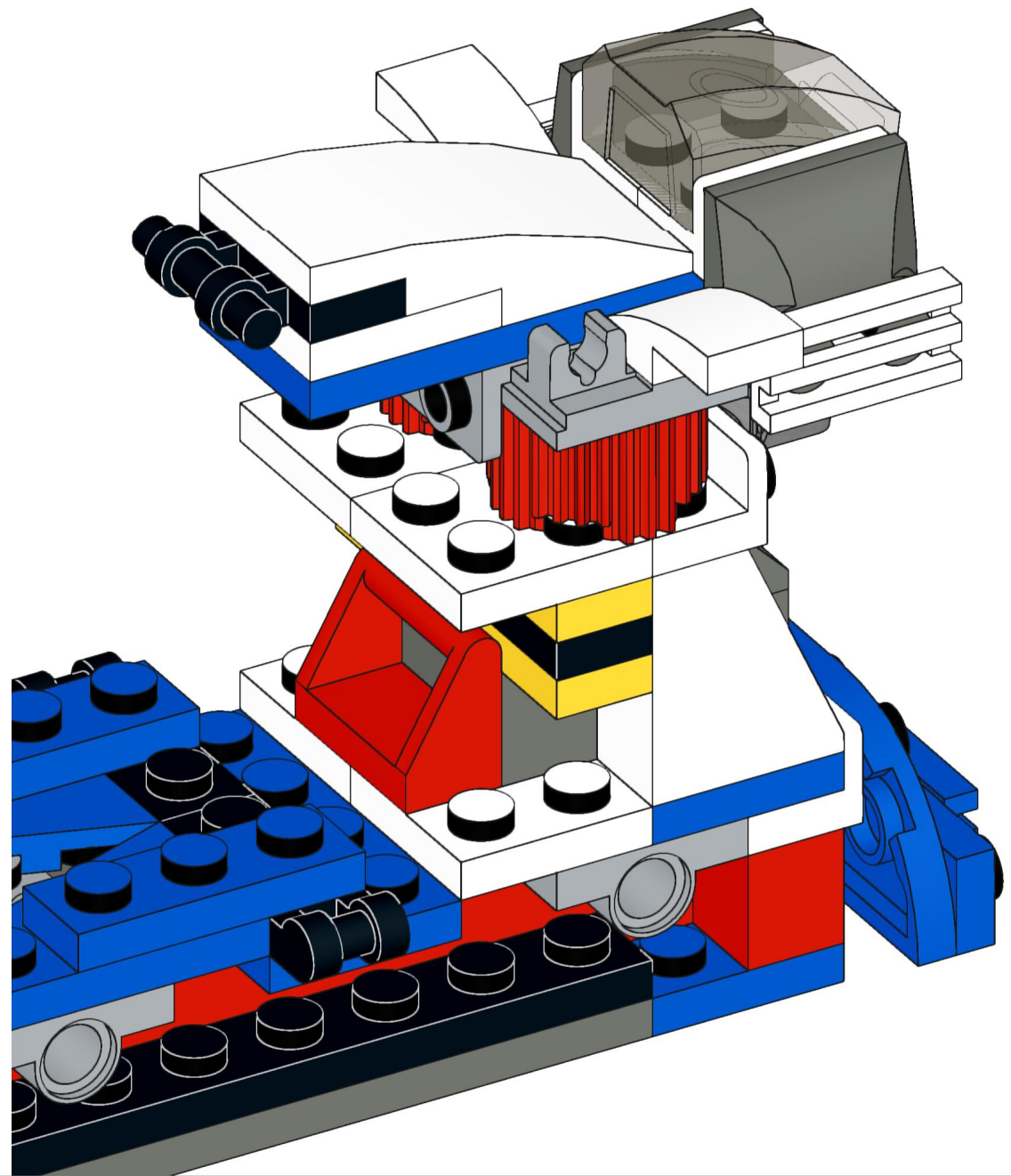
16



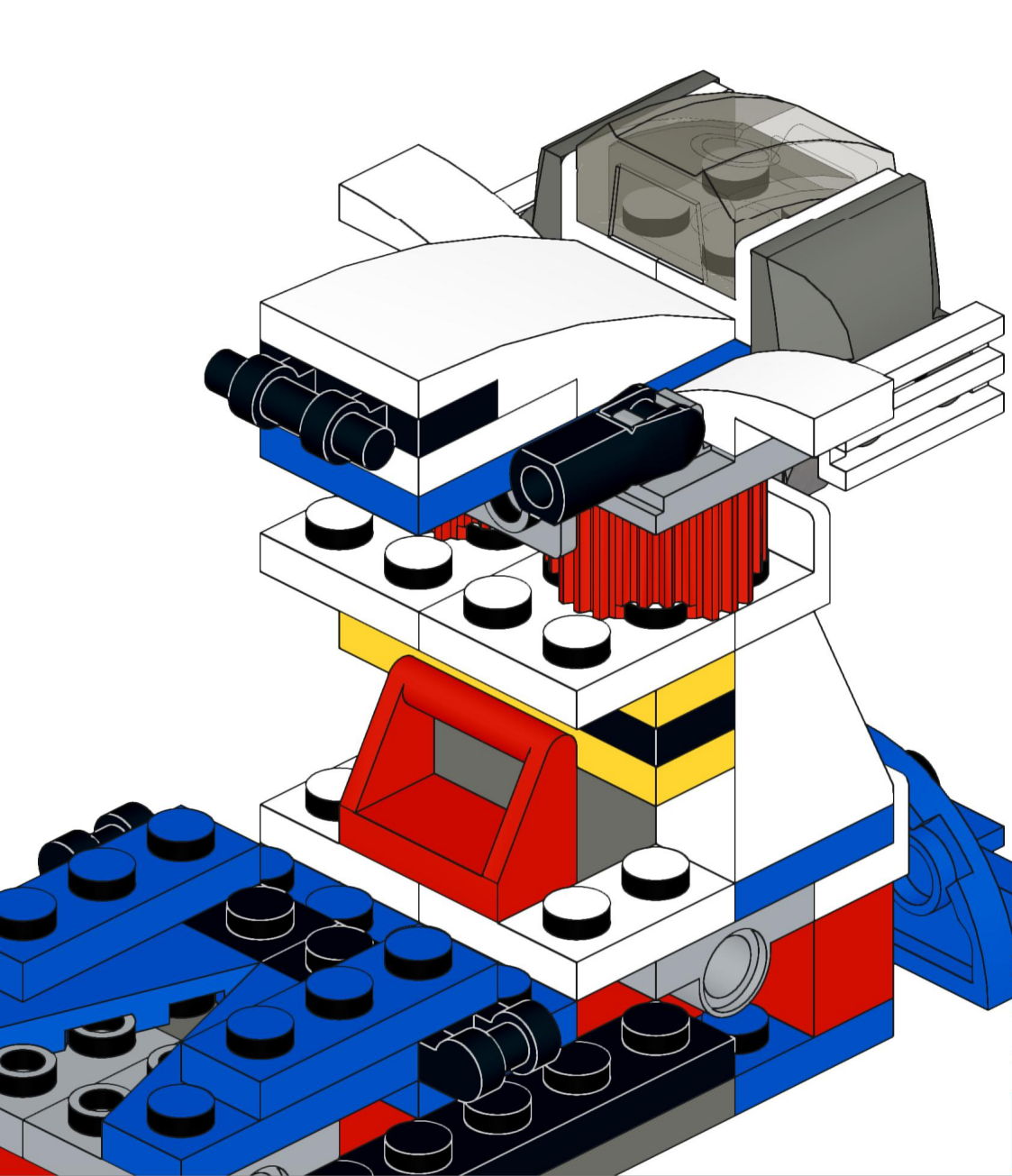
17



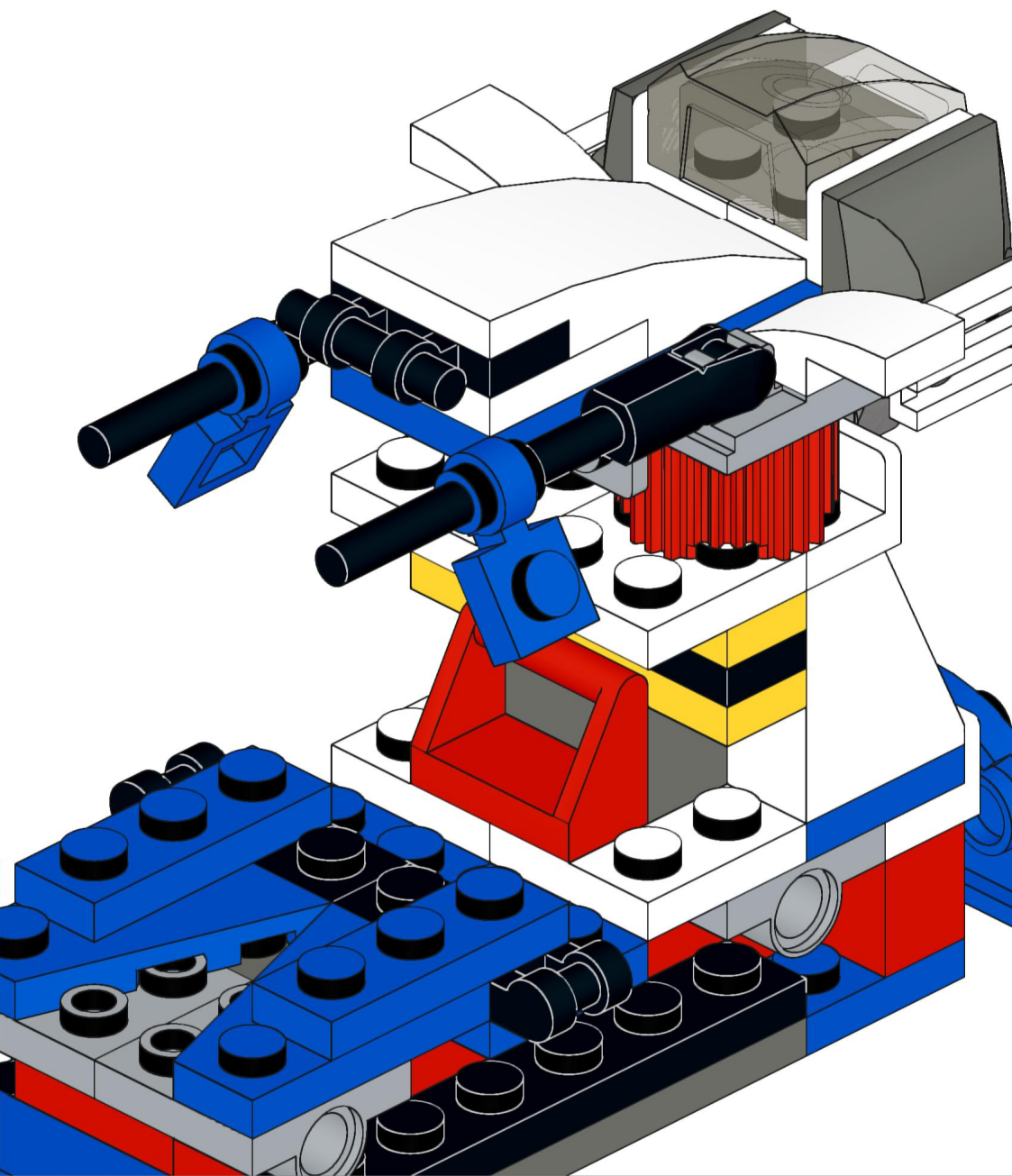
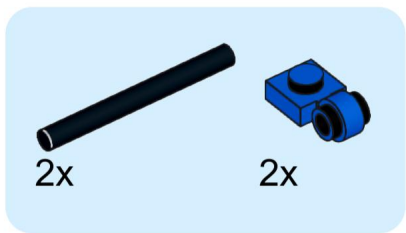
18

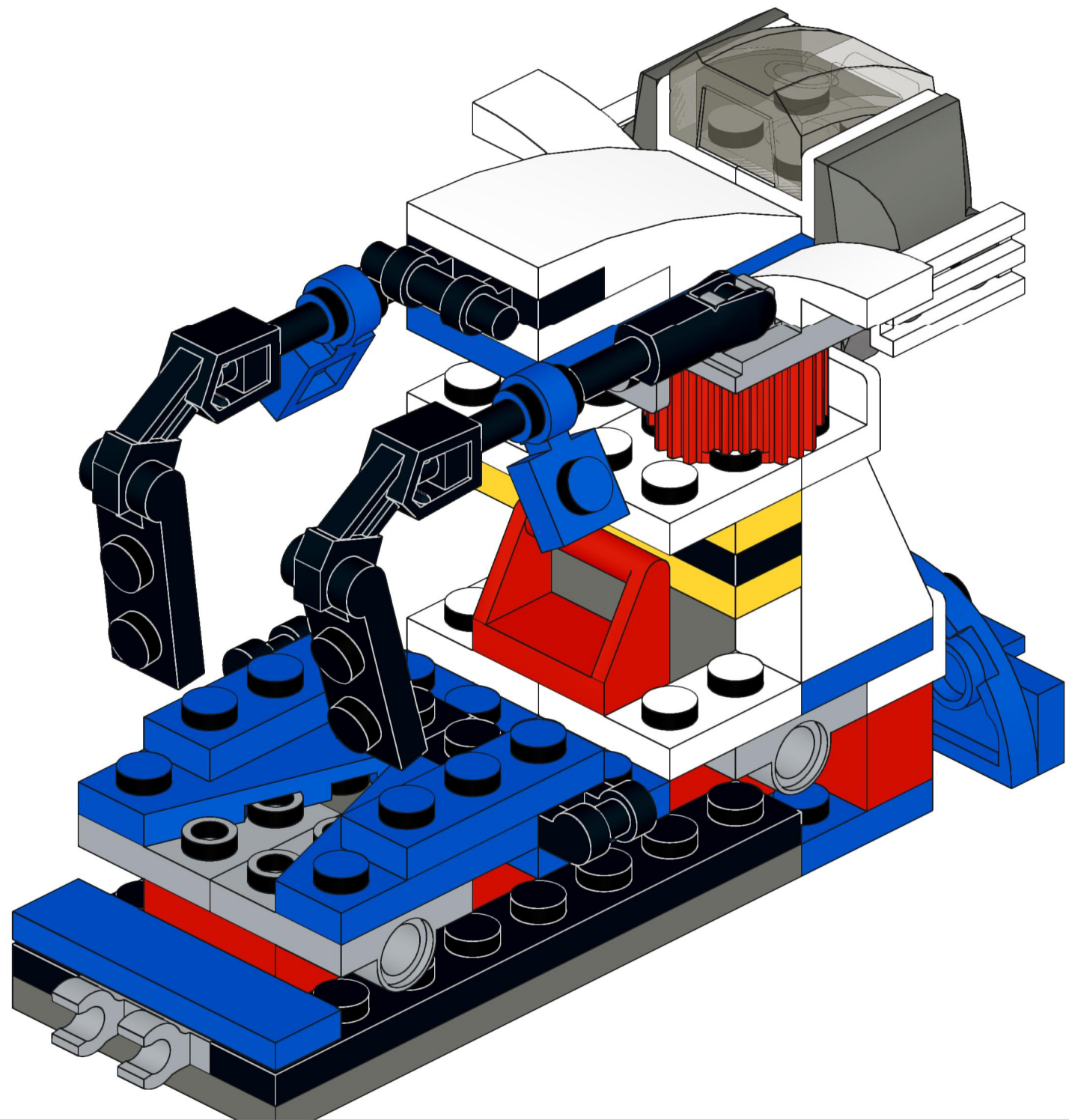
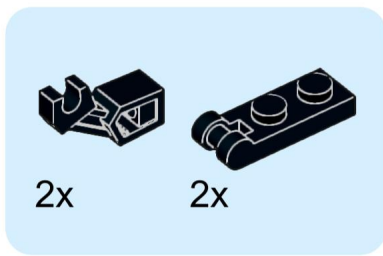


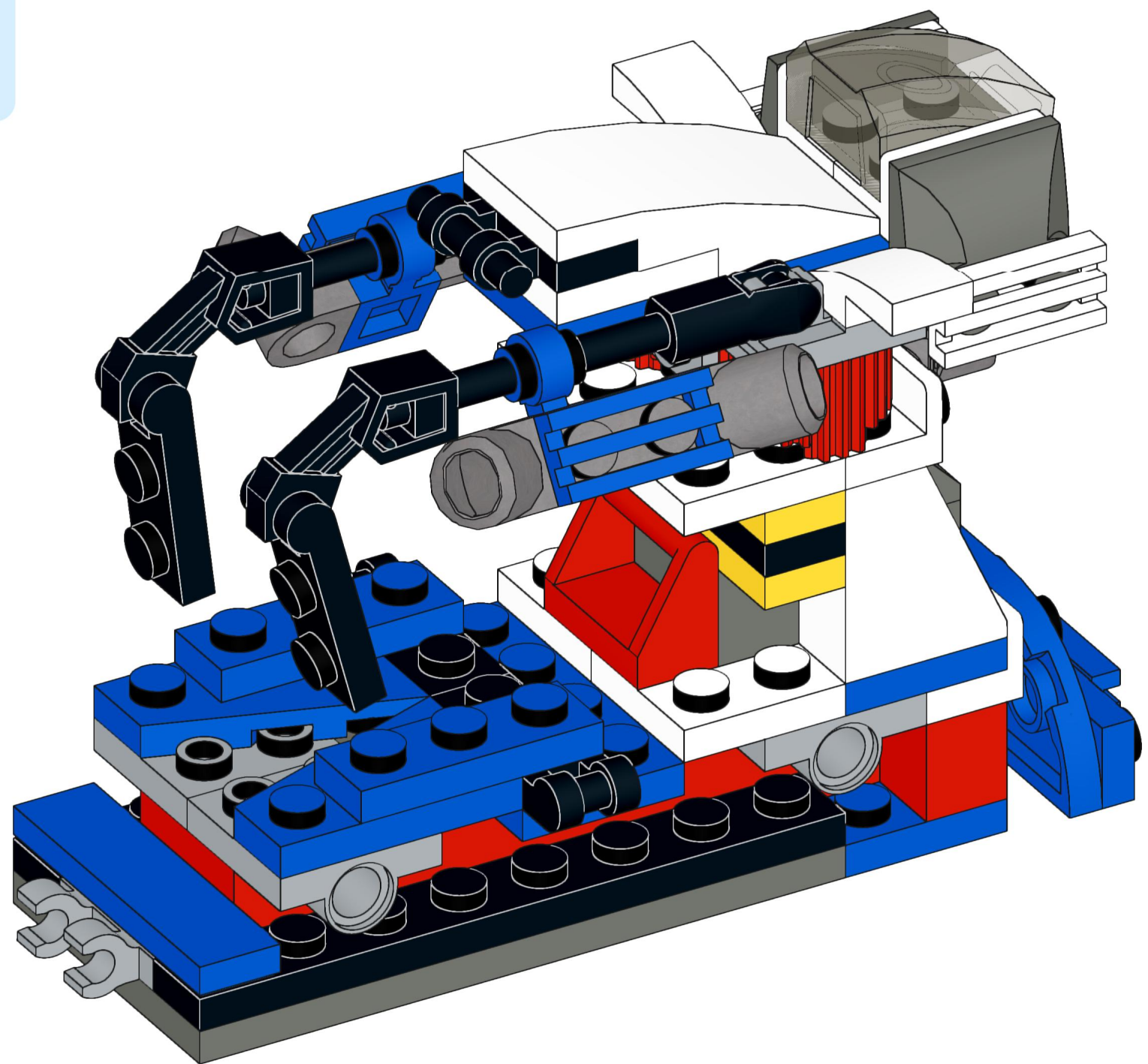
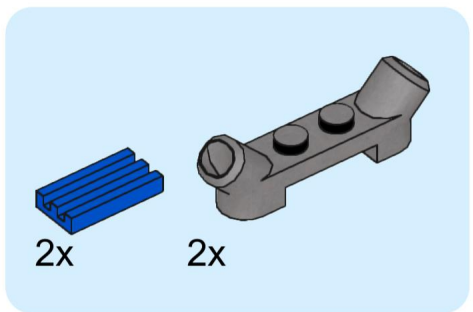
19

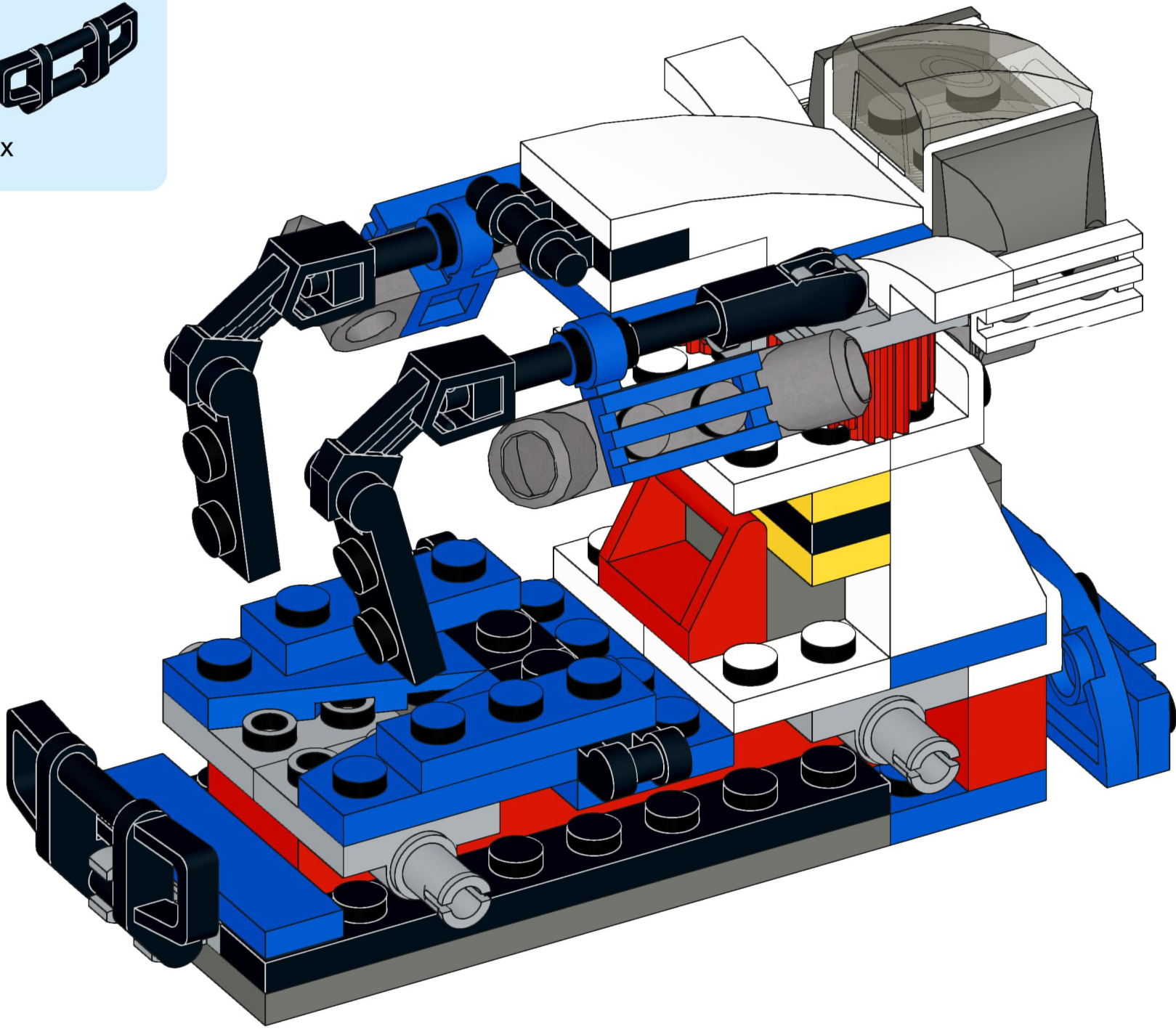
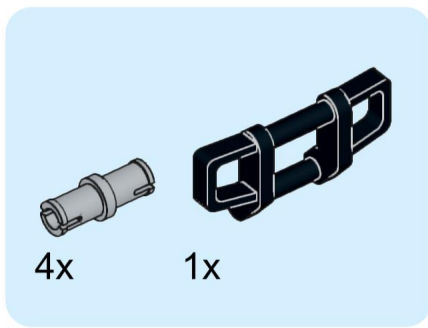


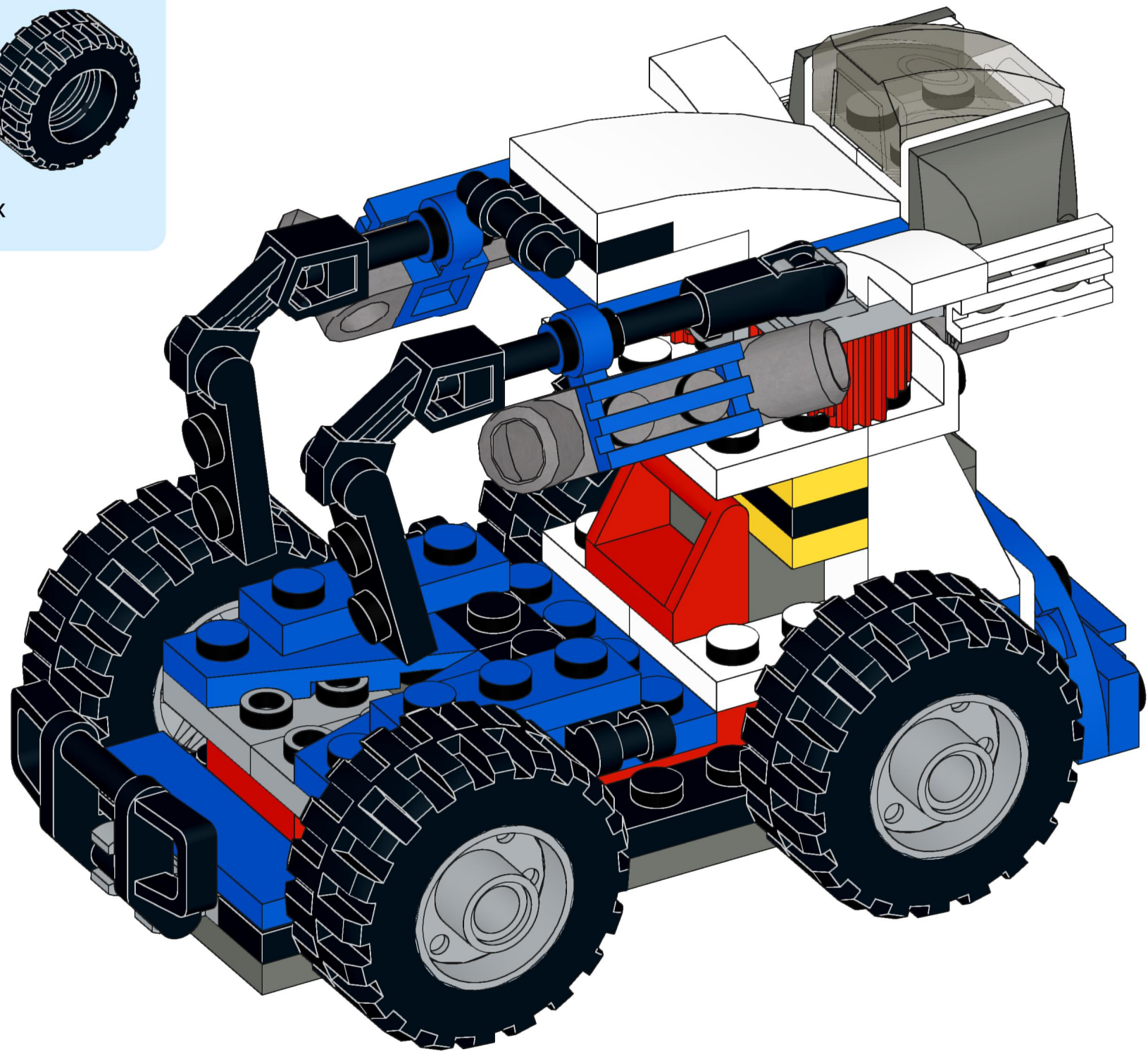
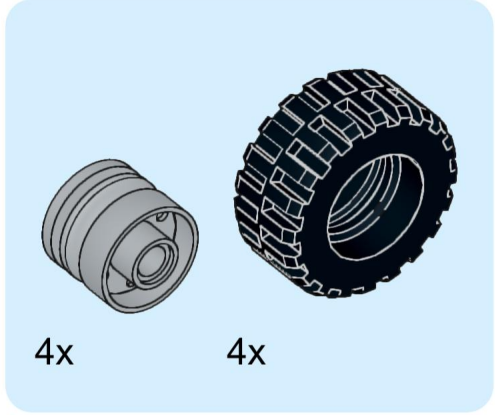
20



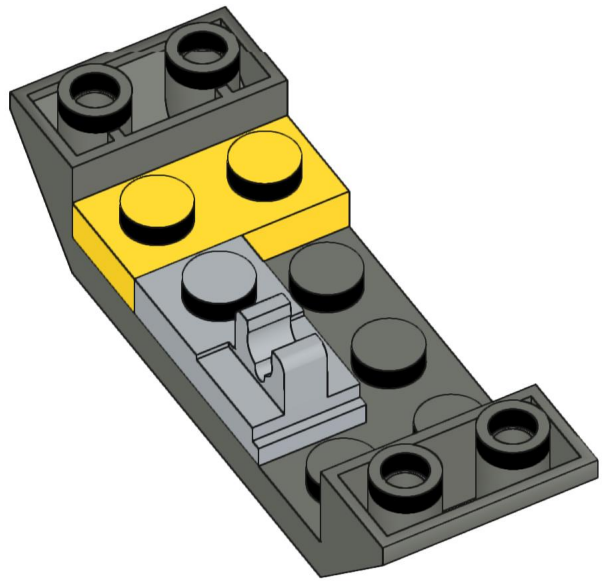
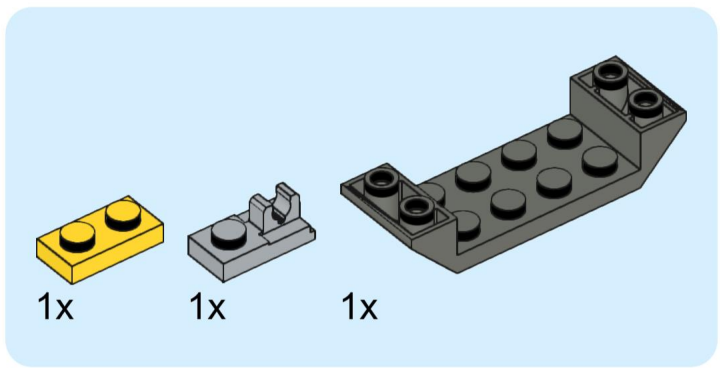




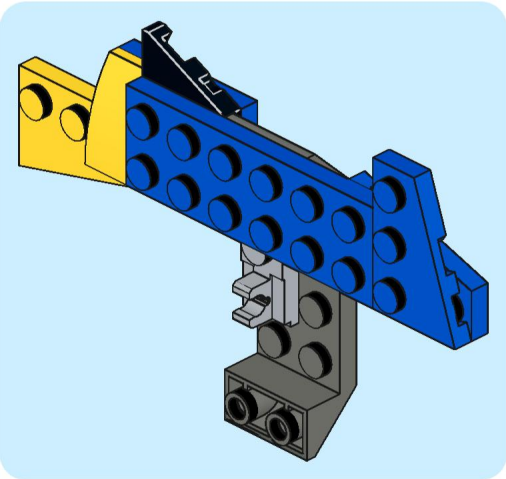
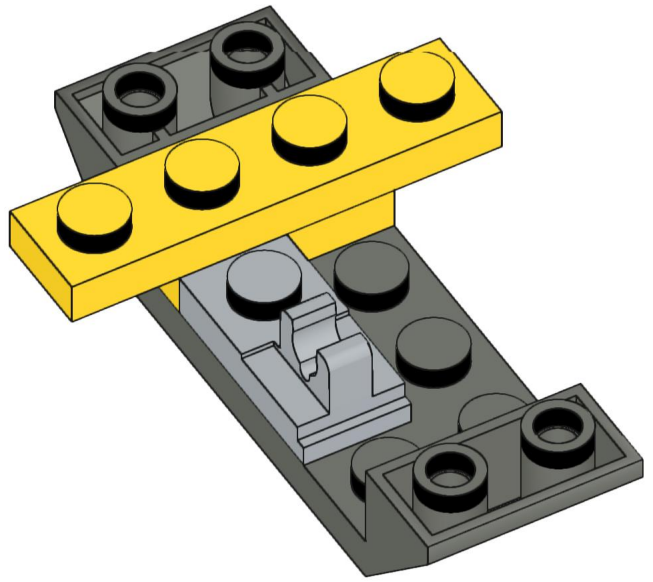
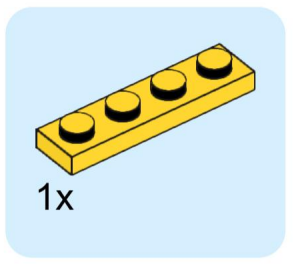




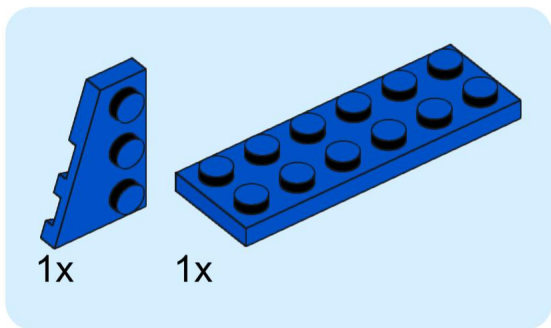
25



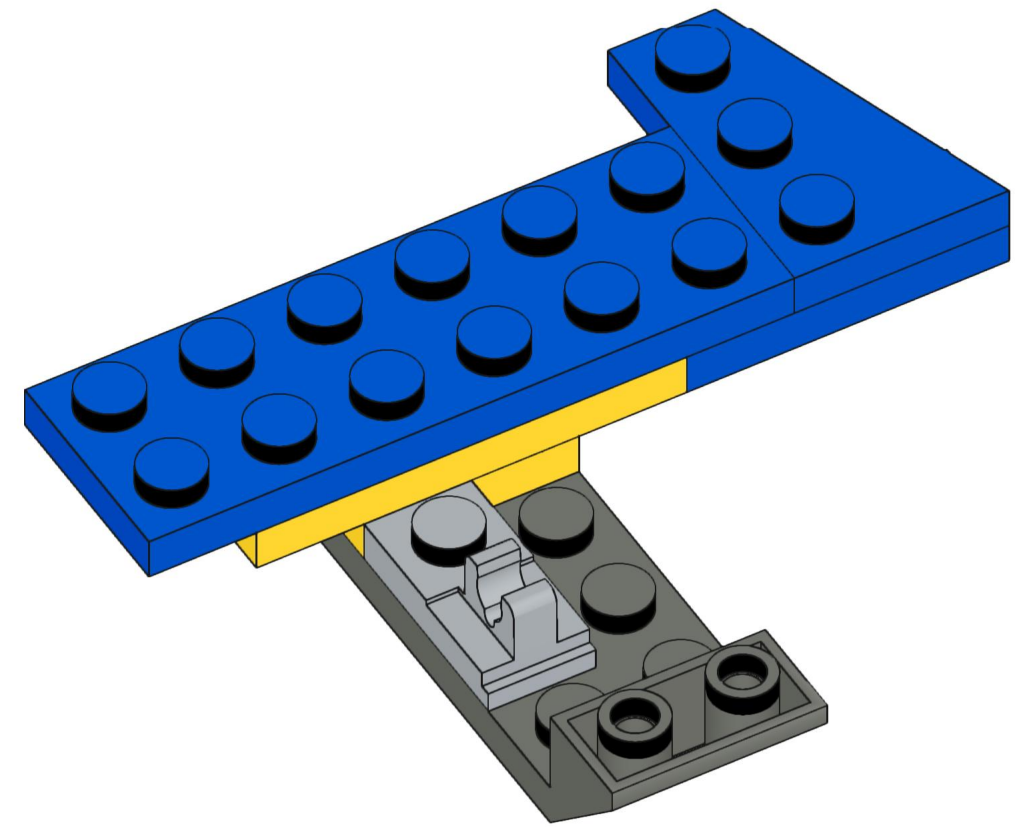
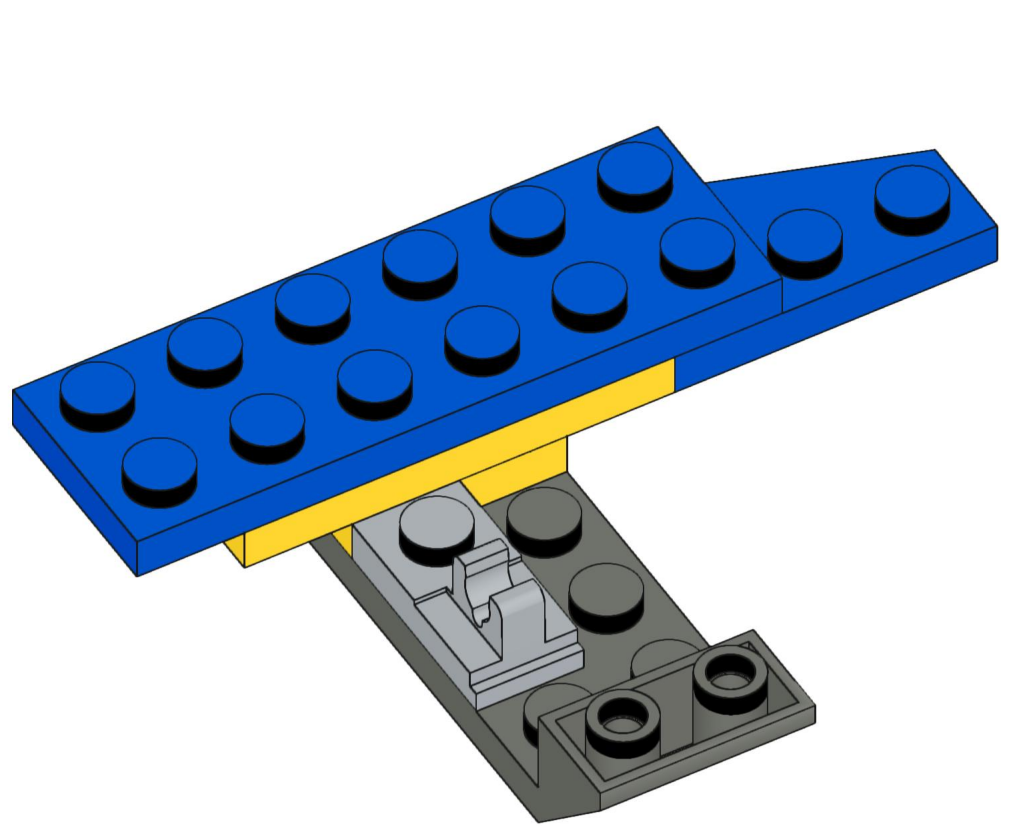
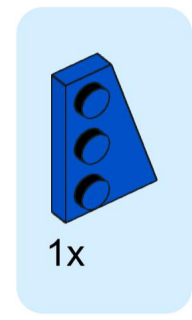
26



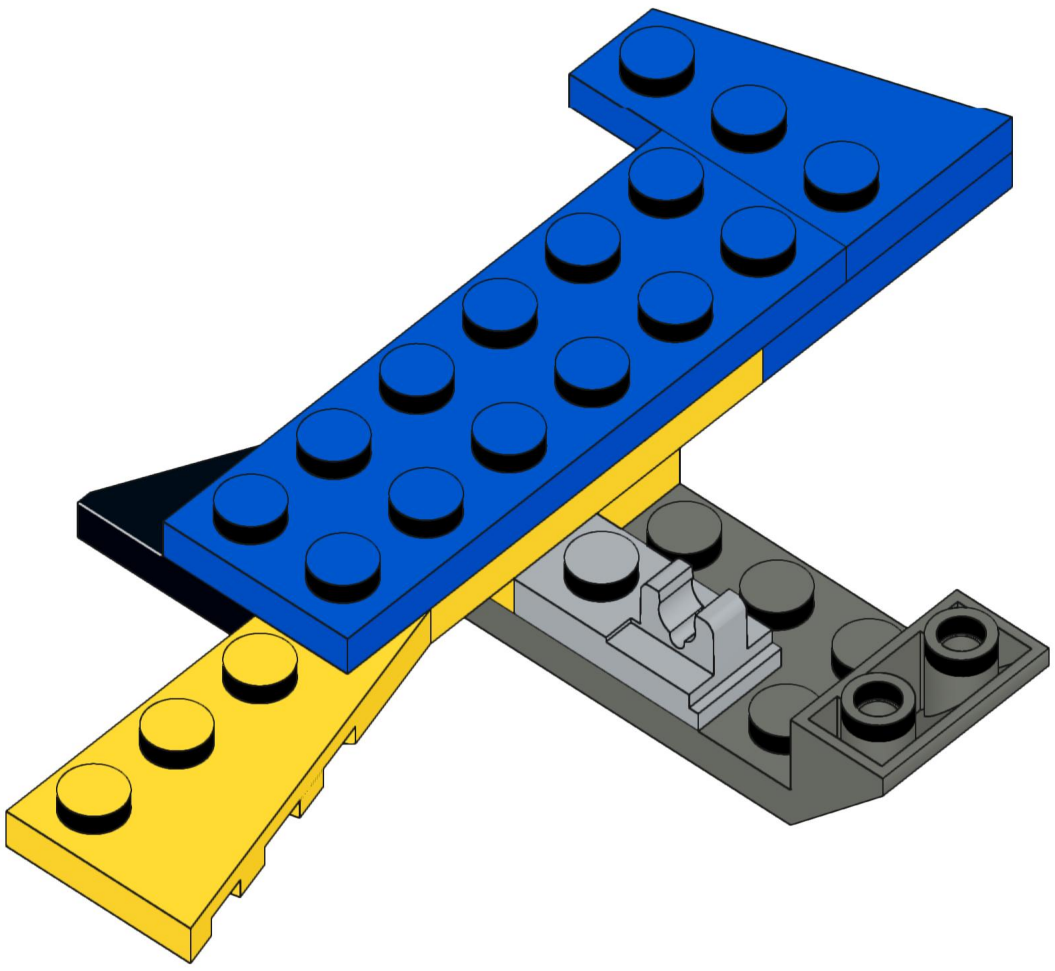
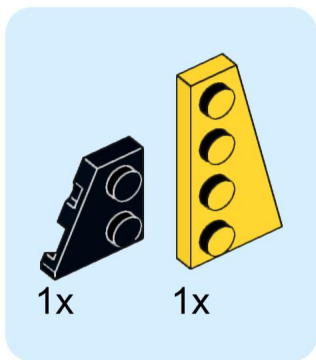
27



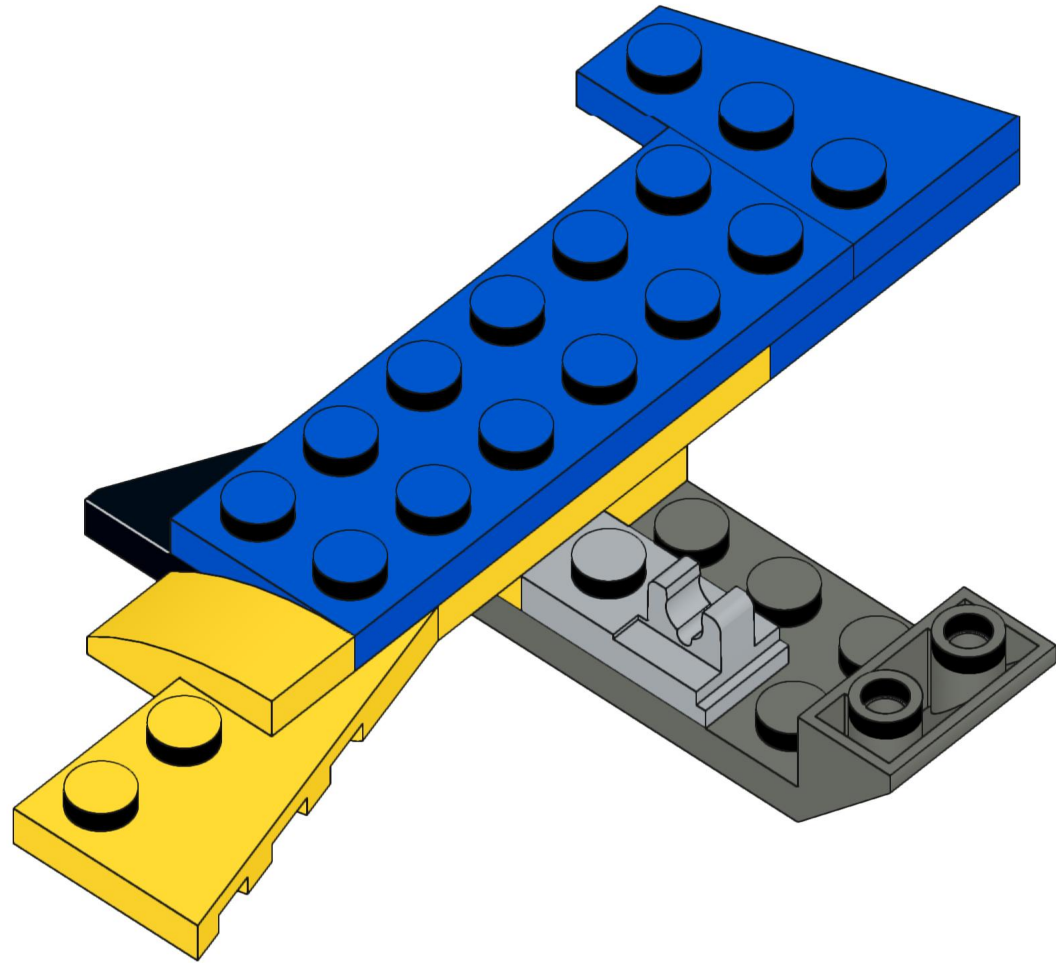
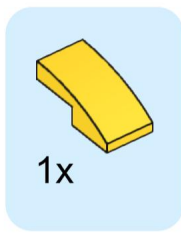
28



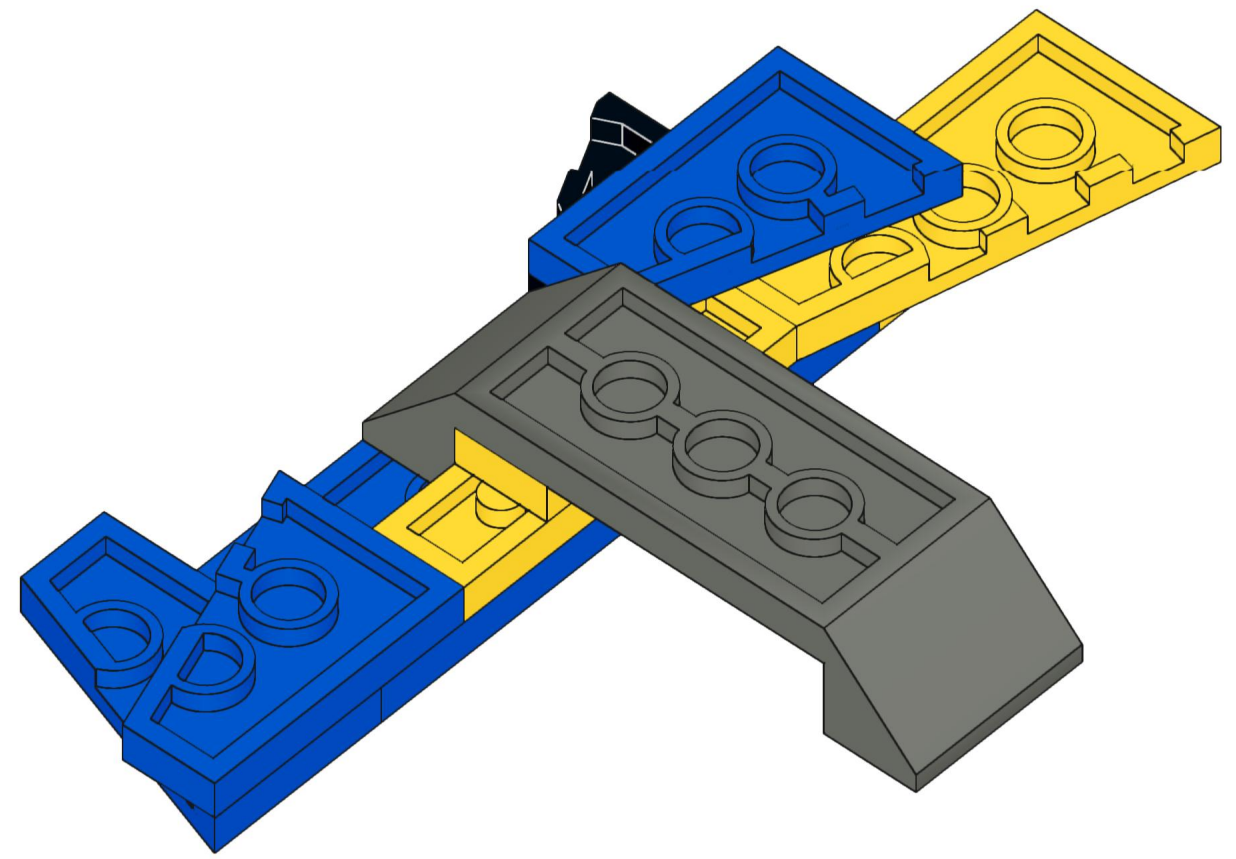
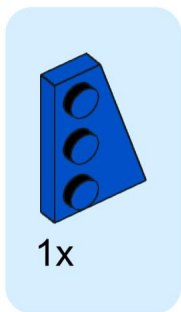
29

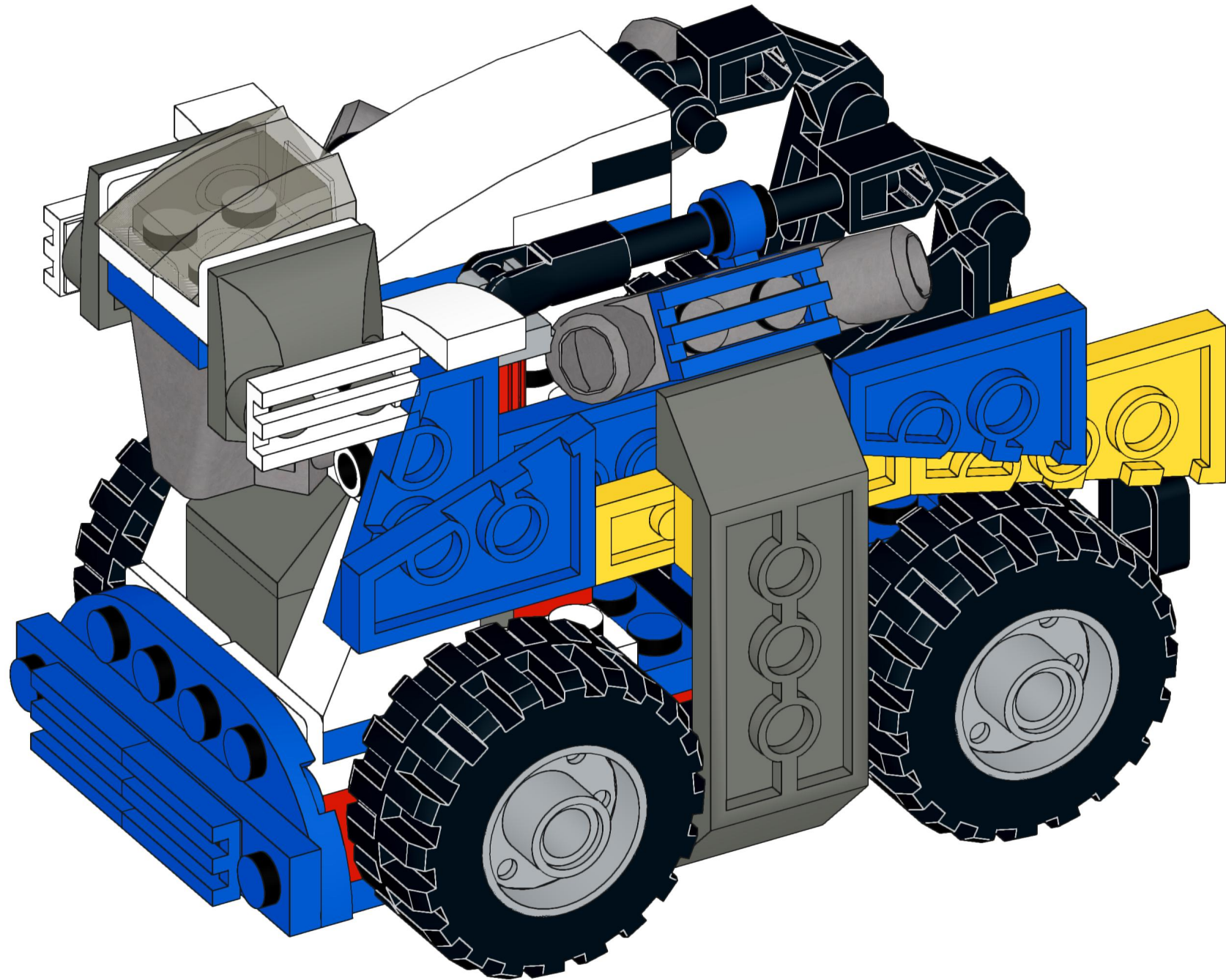


30

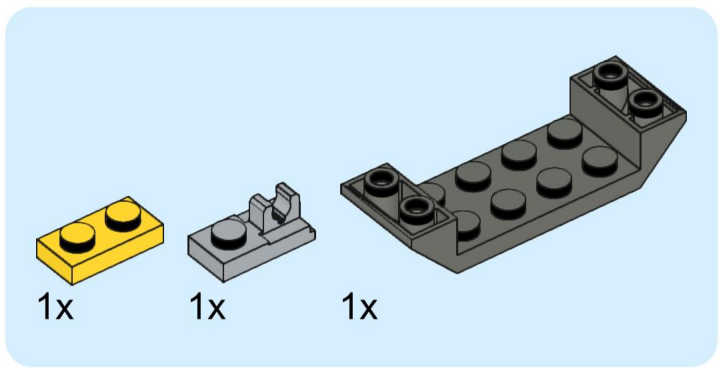


31

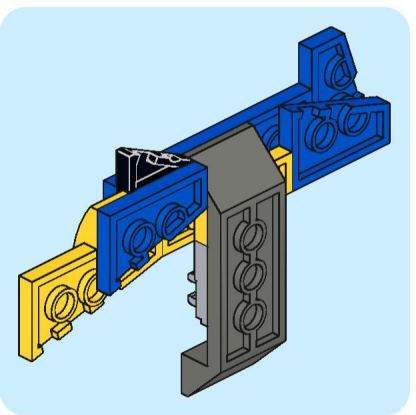
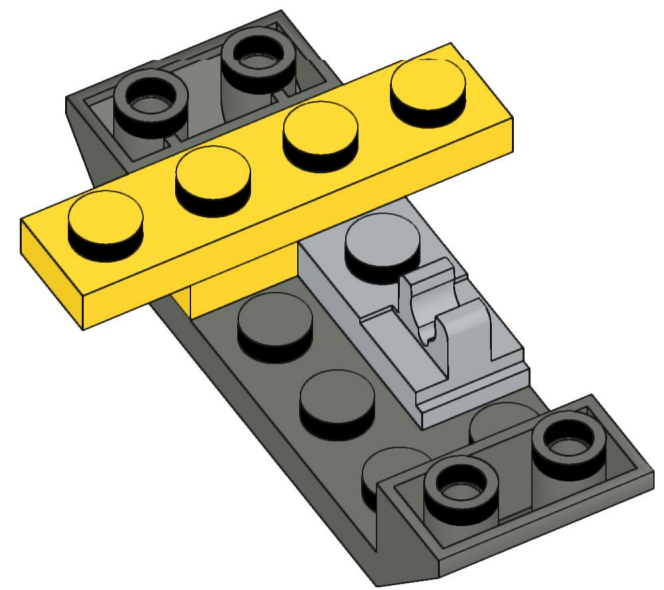
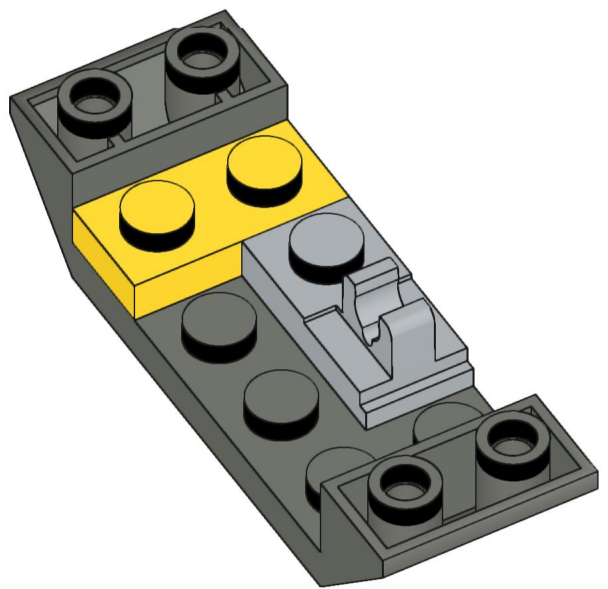
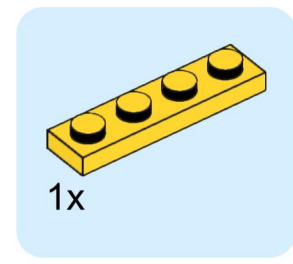




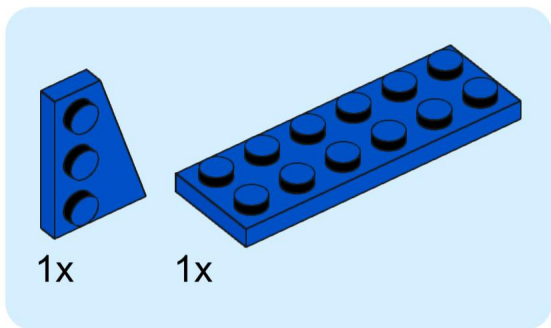
33



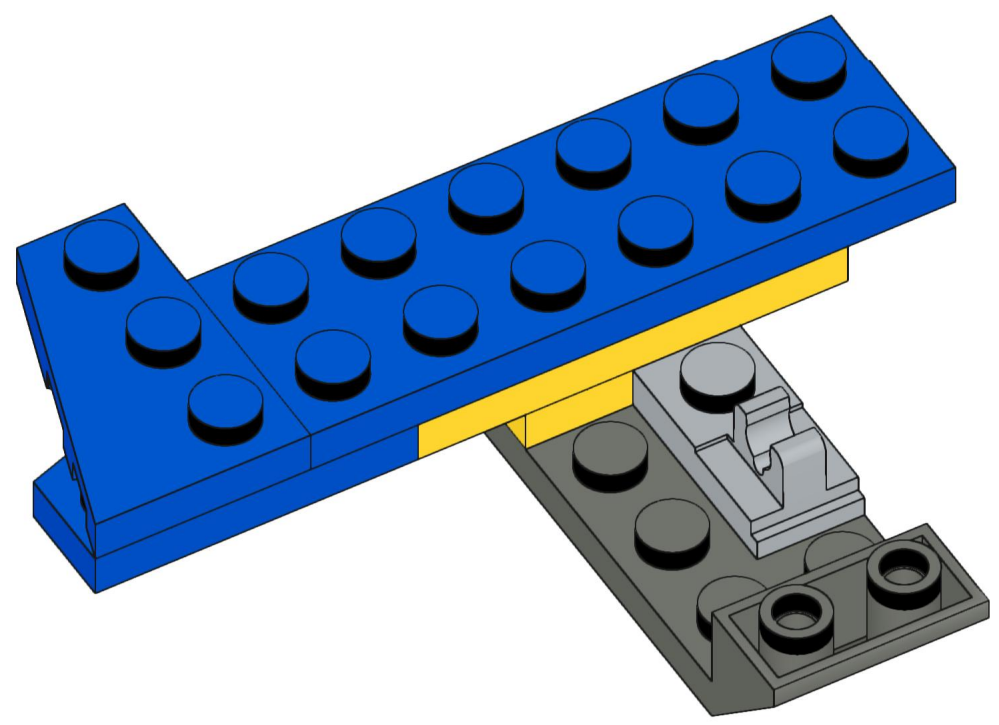
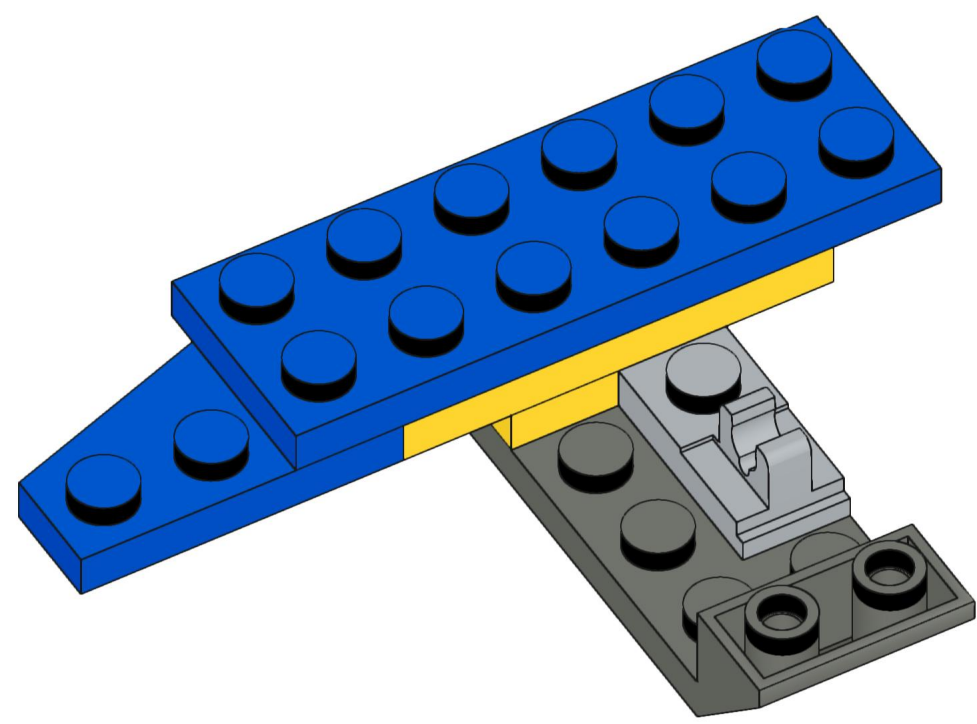
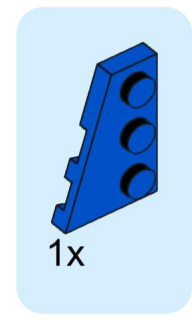
34



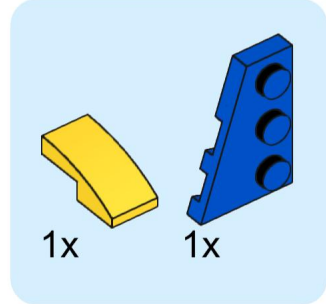
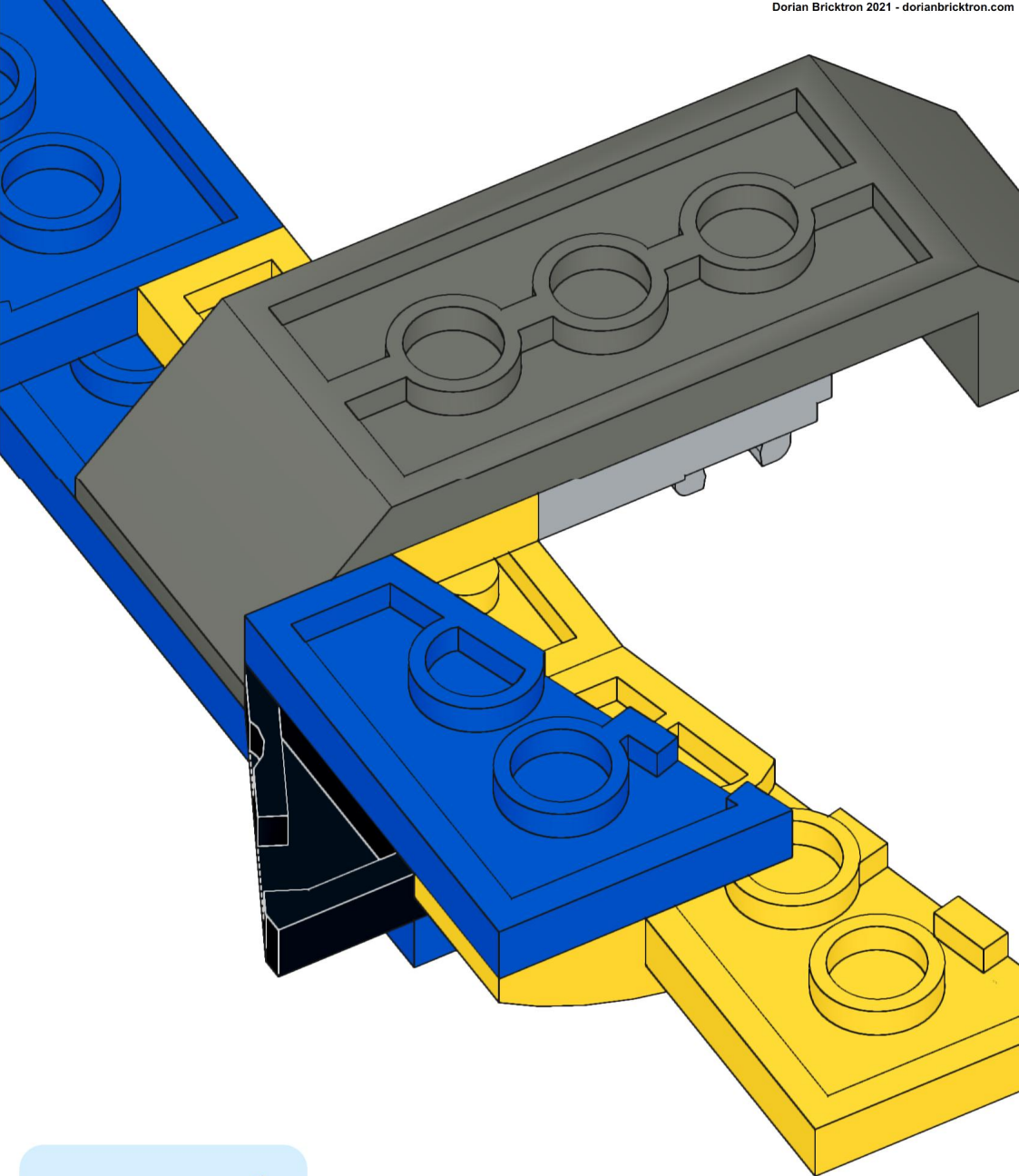
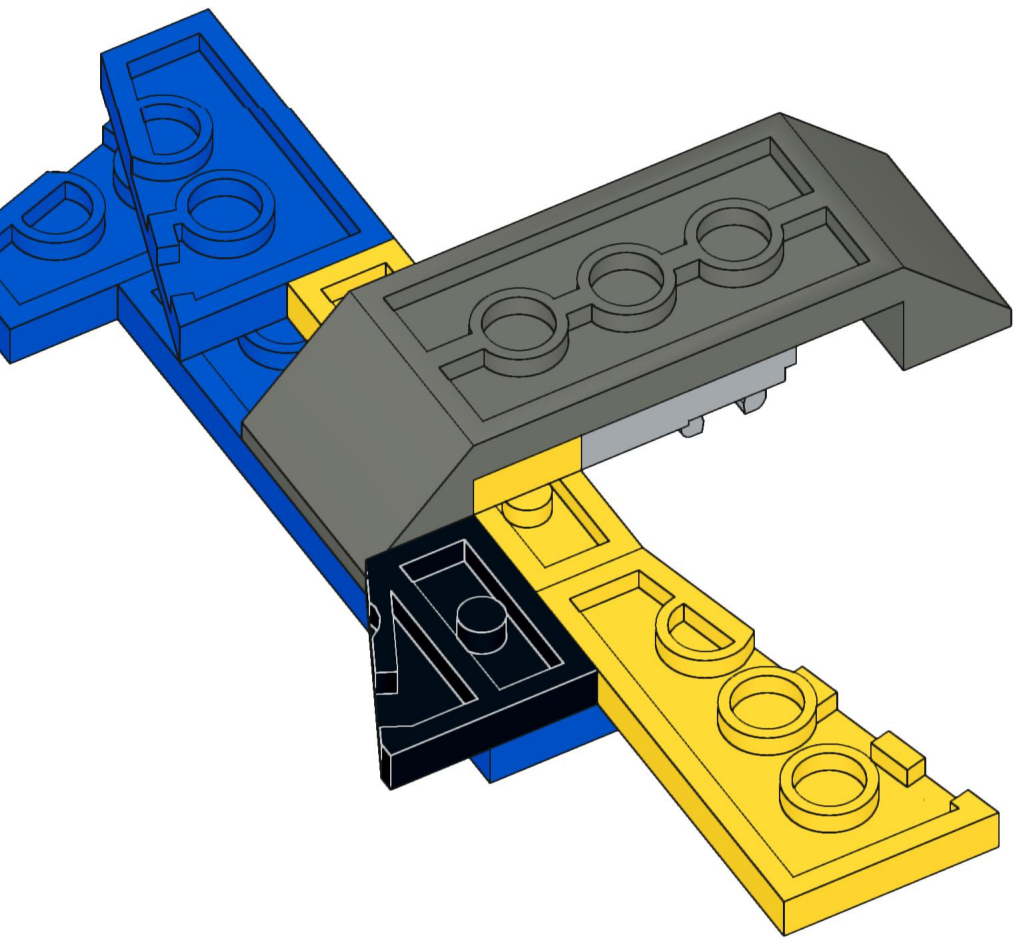
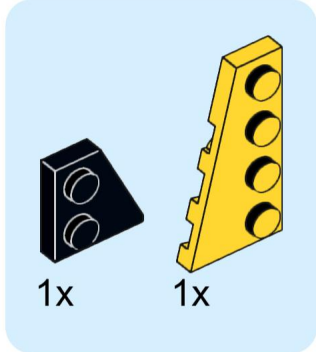
35



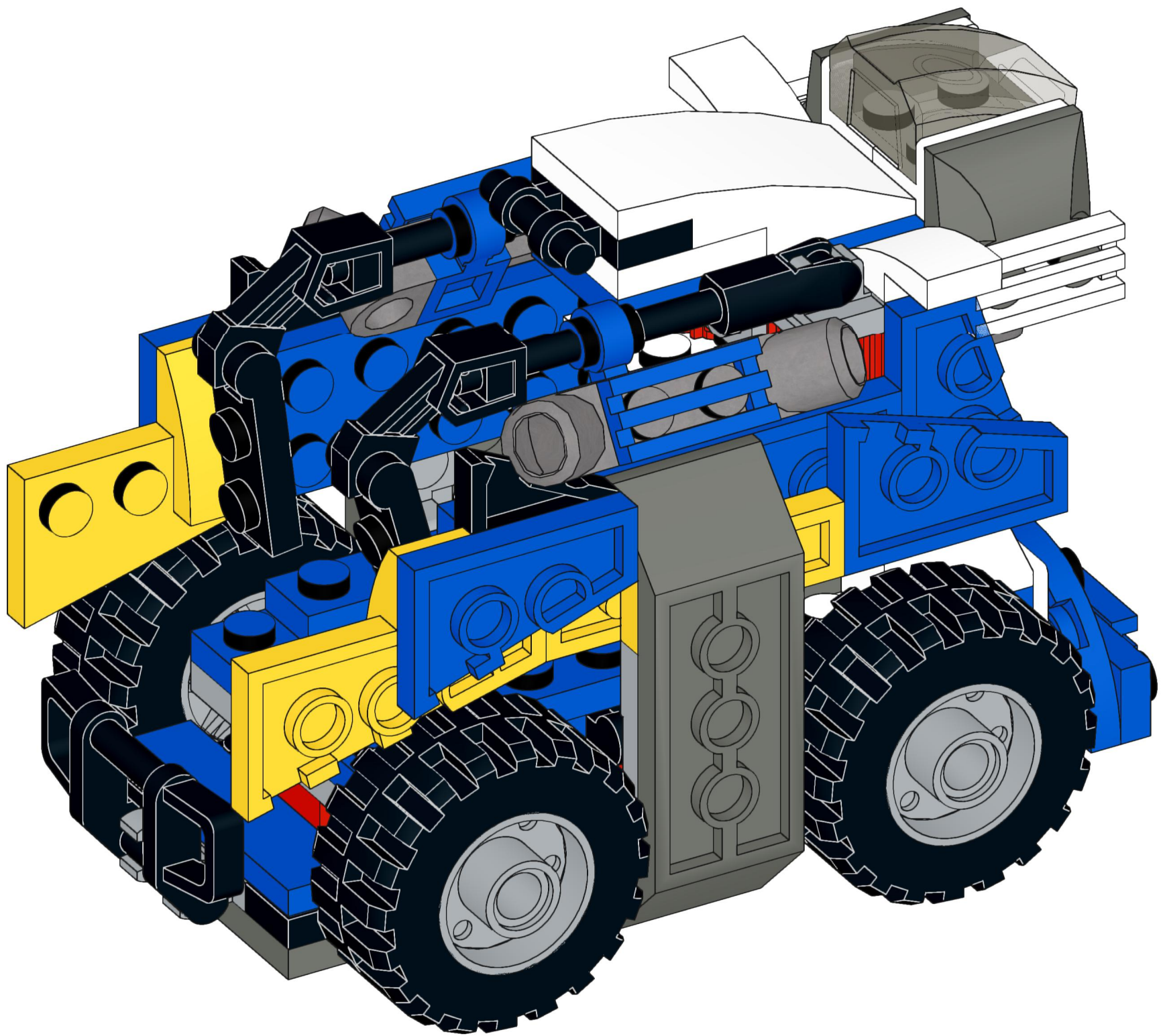
36

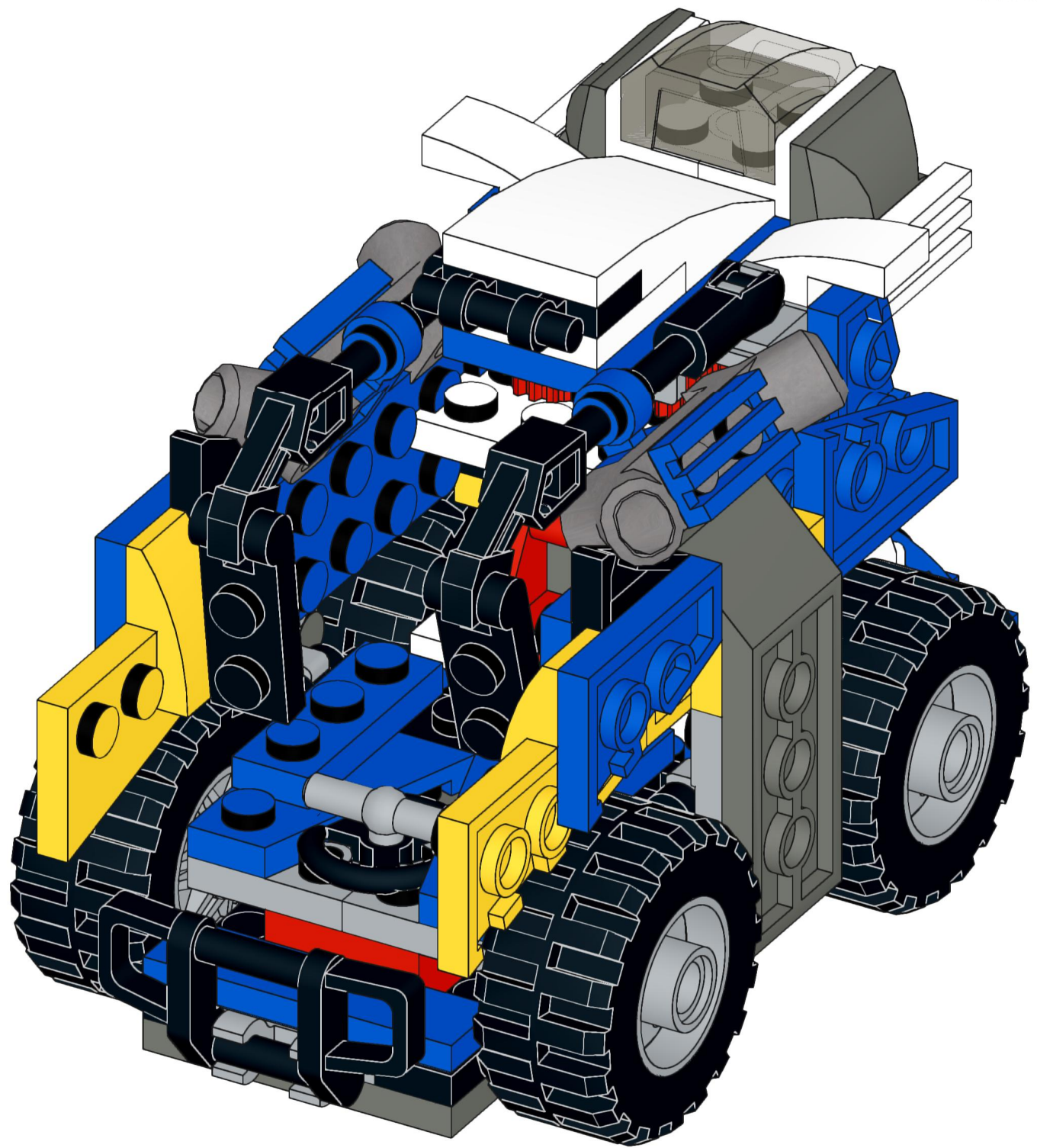
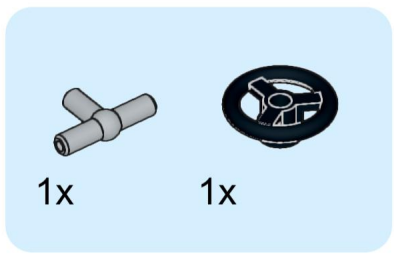


37

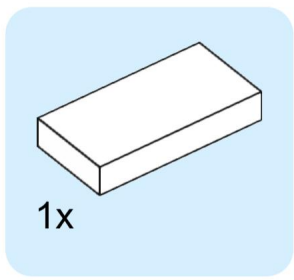


38





41



?

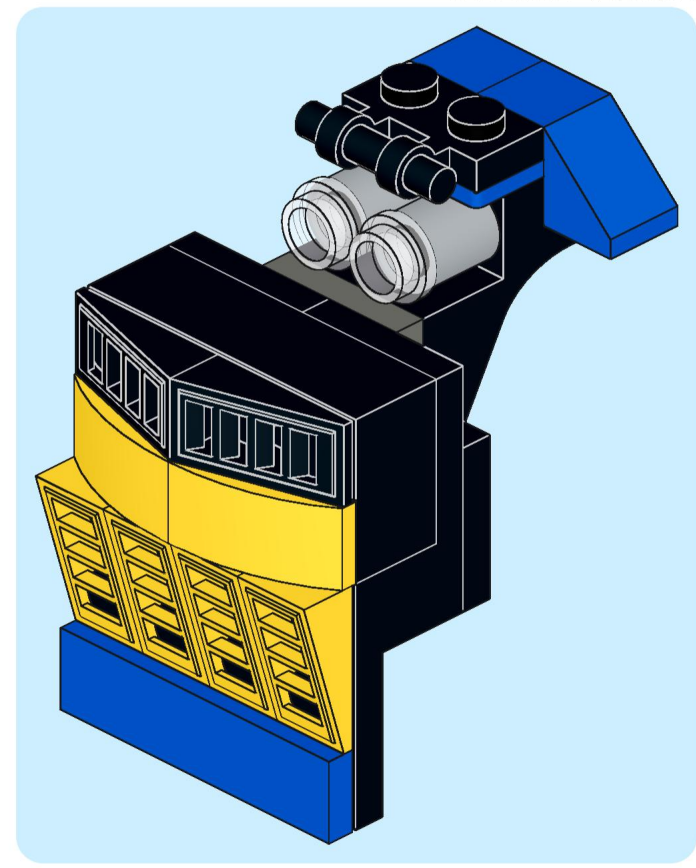
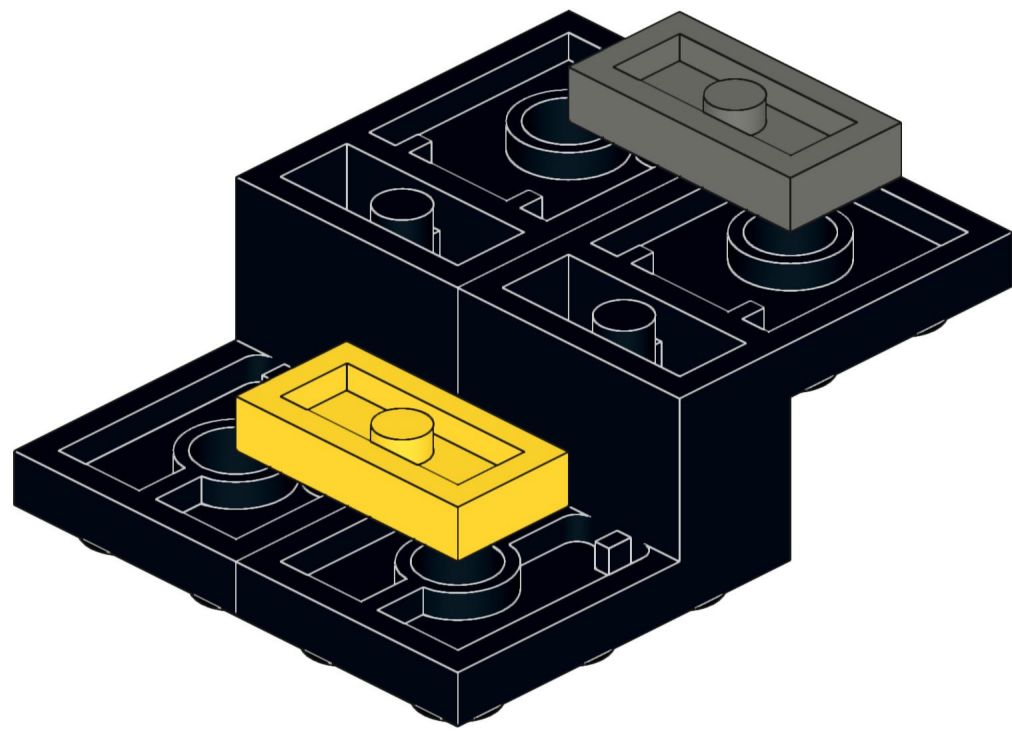
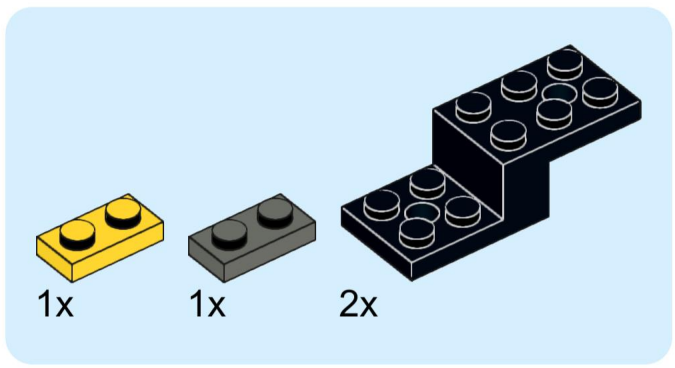
?



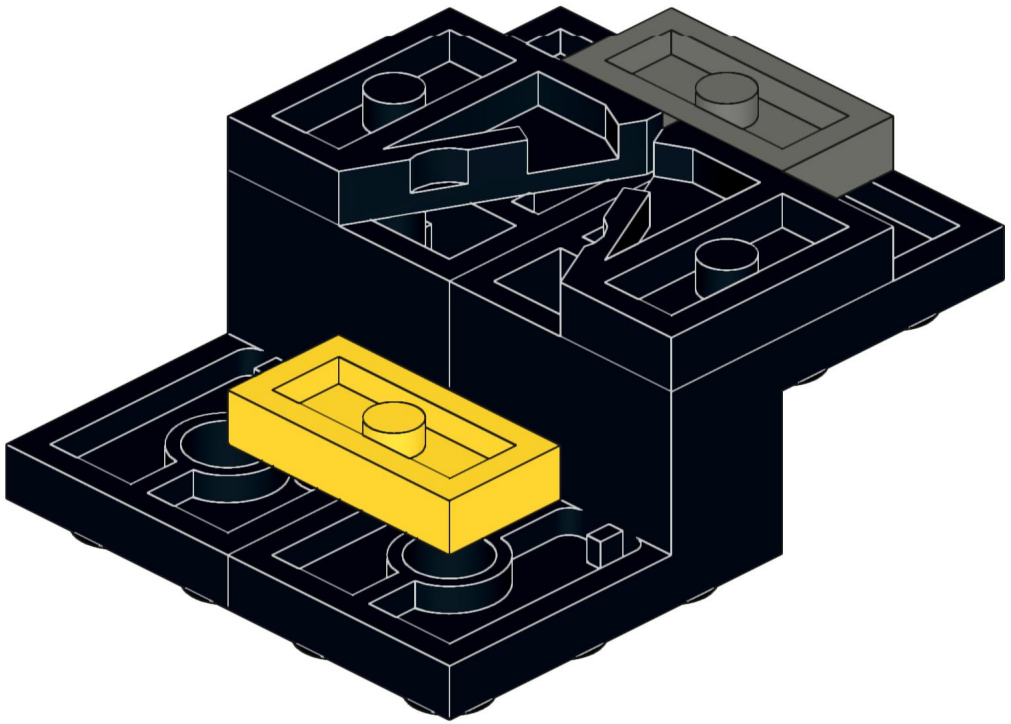
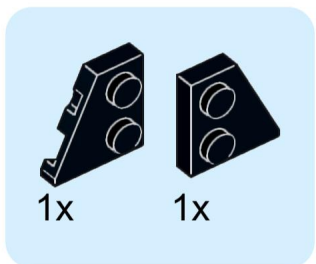
?

?

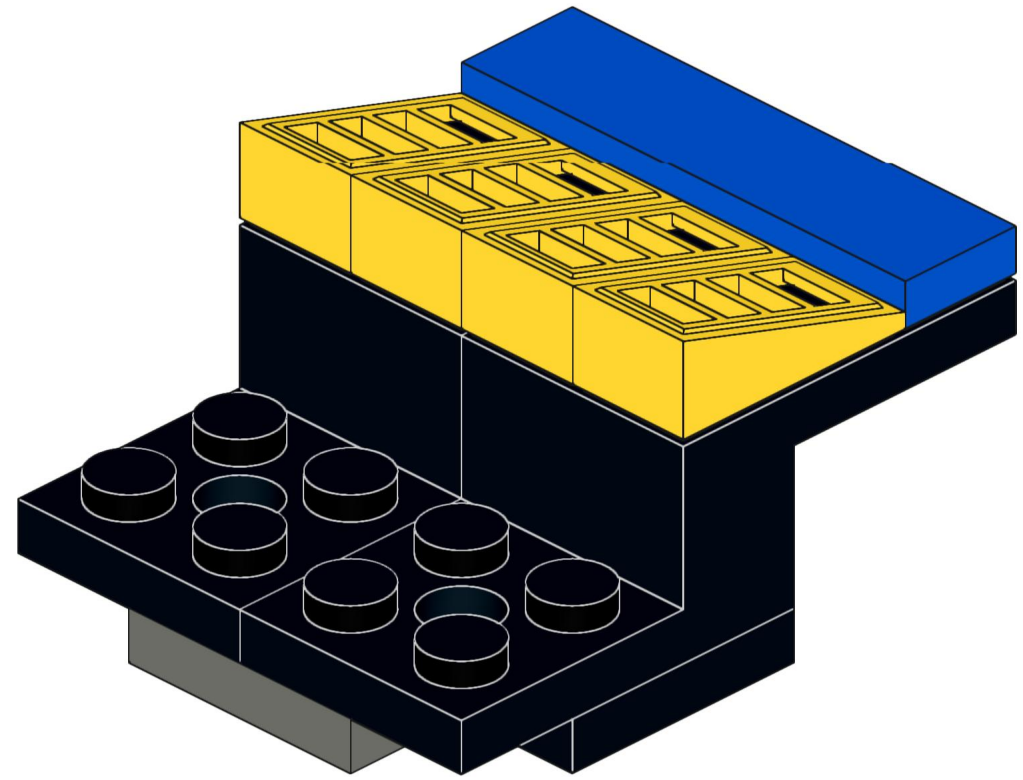
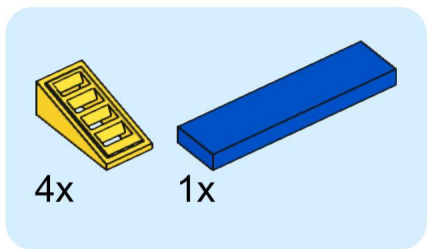
there's 2 locations outside and 2 inside where this could go.
I made a headrest out of it (inside, on top of the gray bracket)



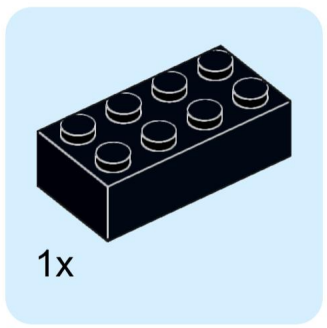
43



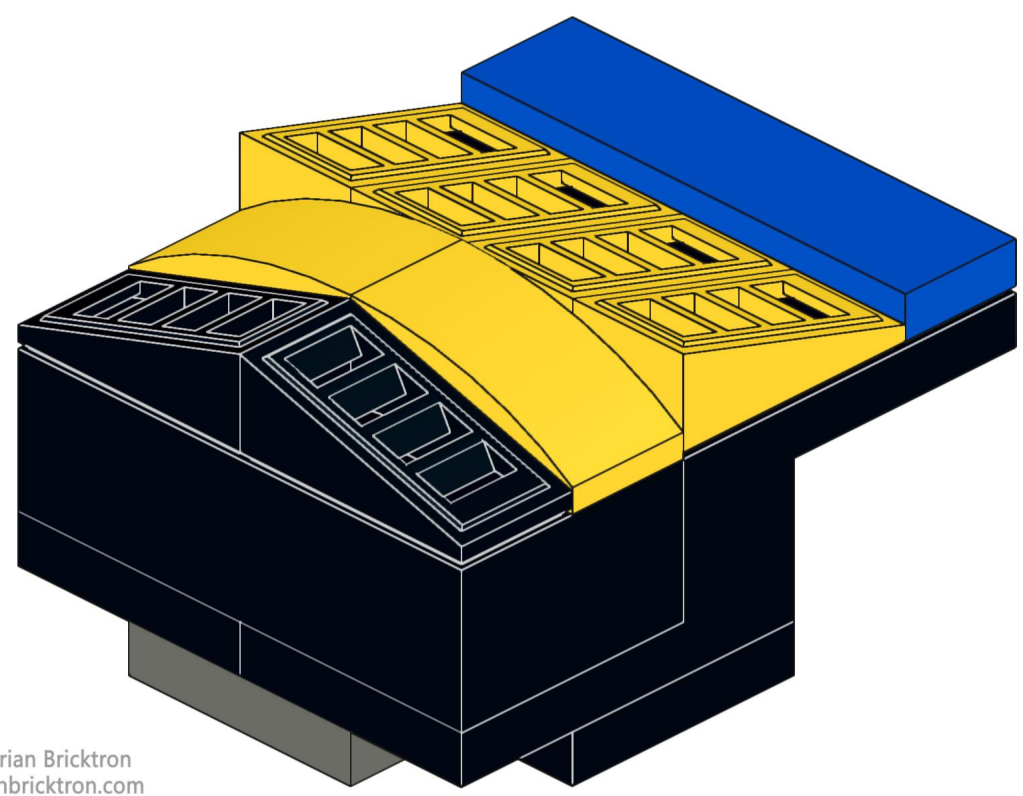
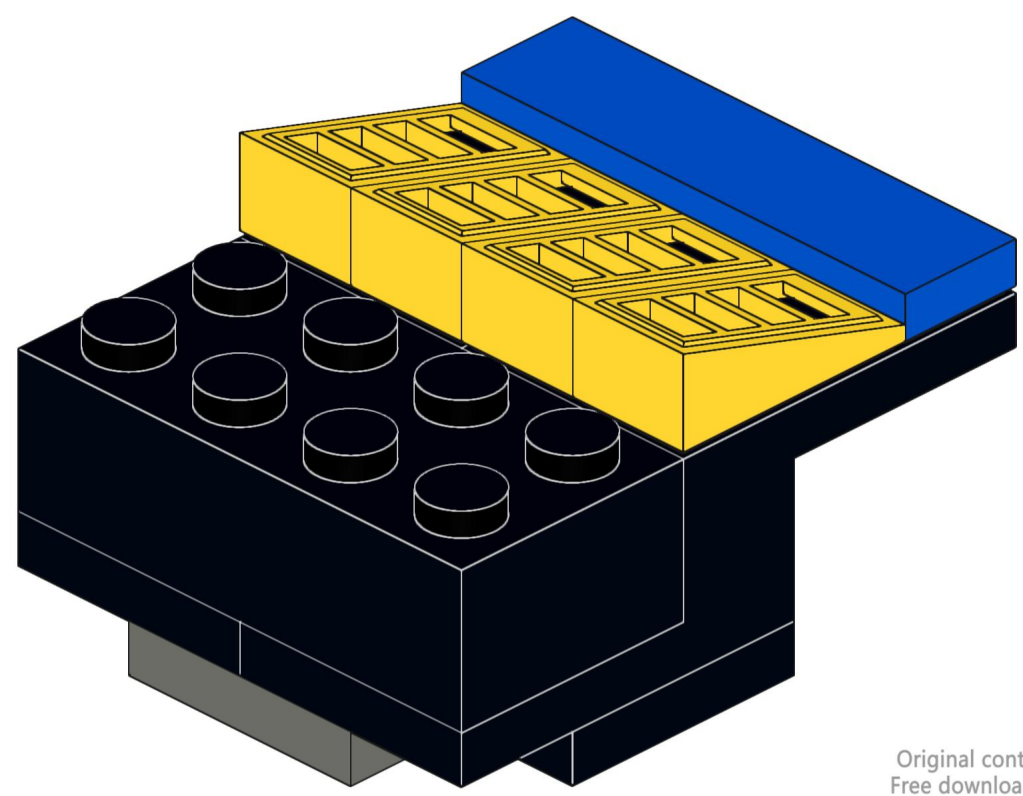
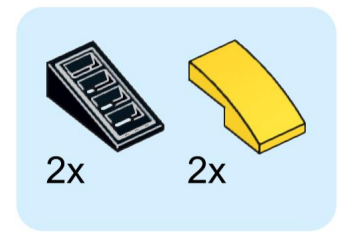
44



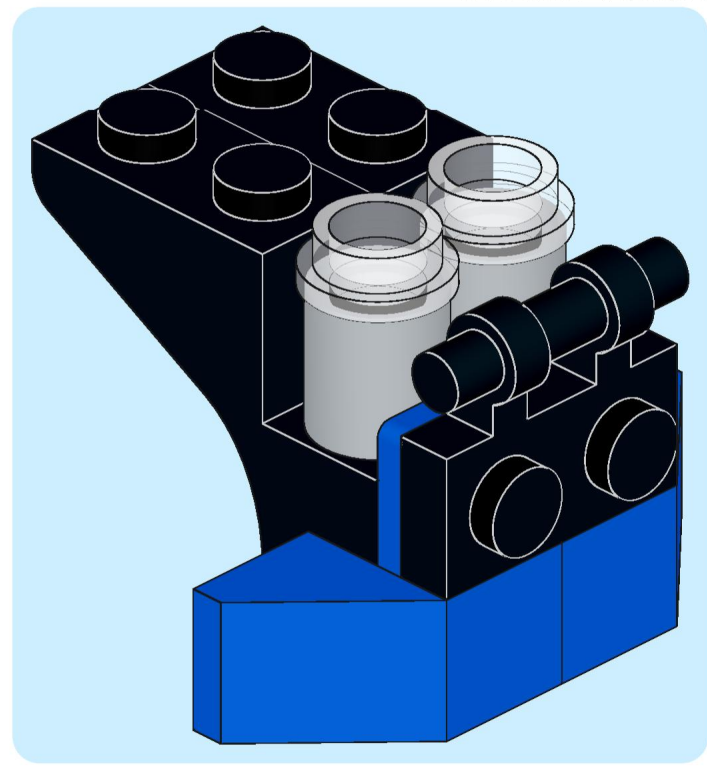
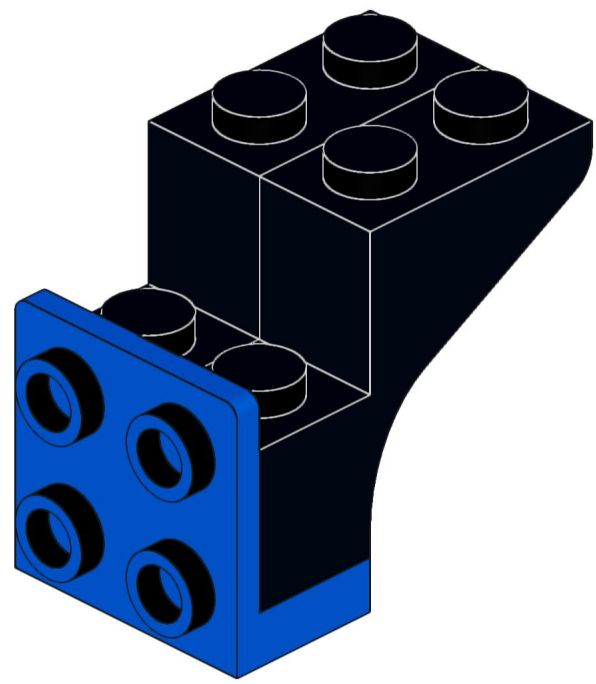
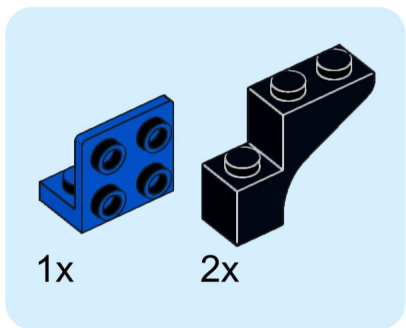
45



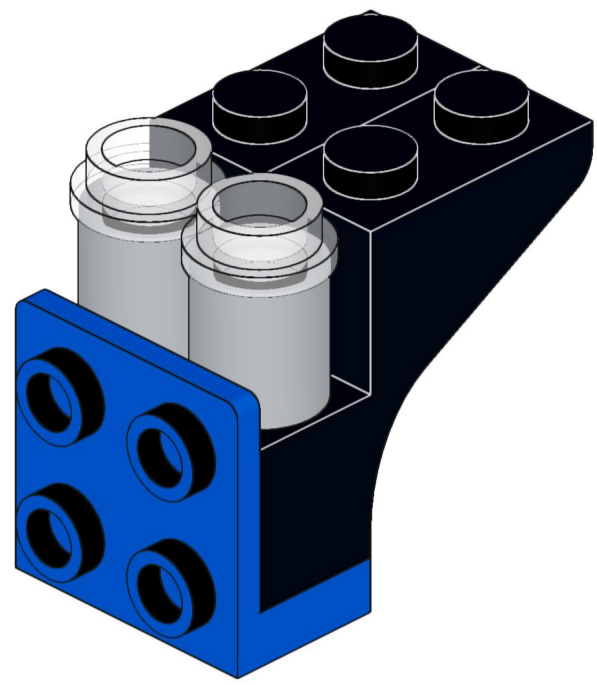
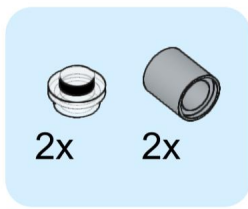
46



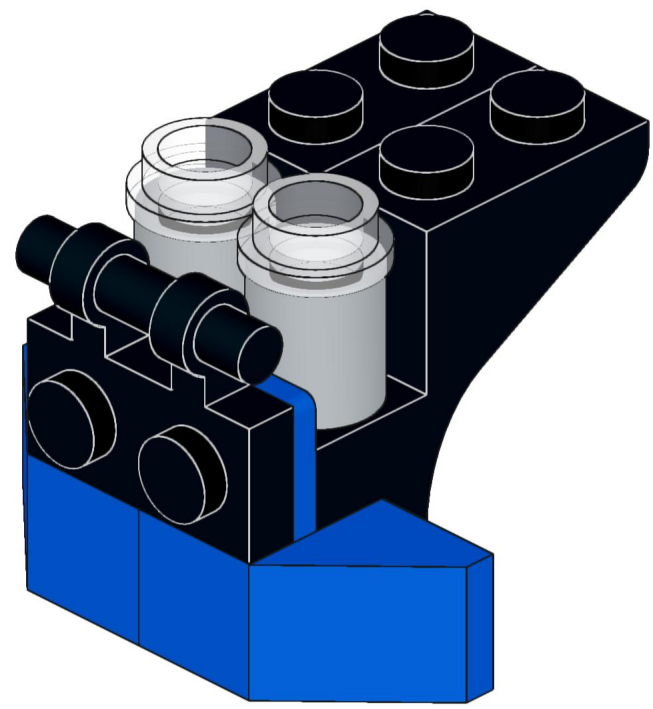
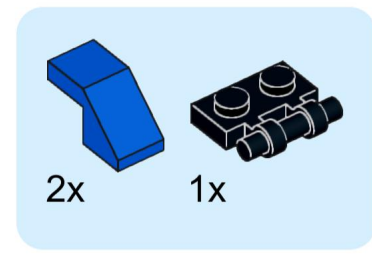
Original content by Dorian Bricktron
Free download at dorianbricktron.com

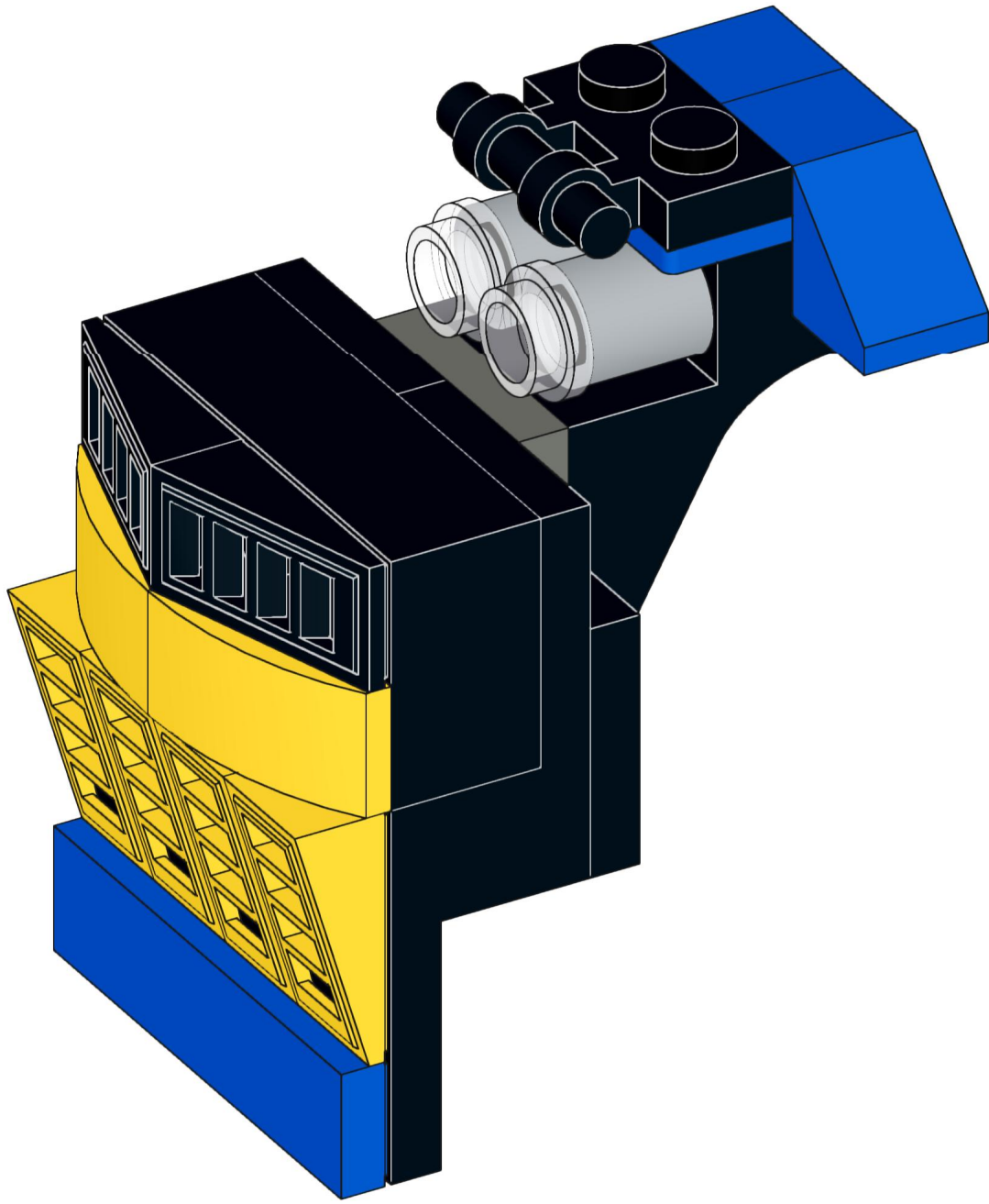


48

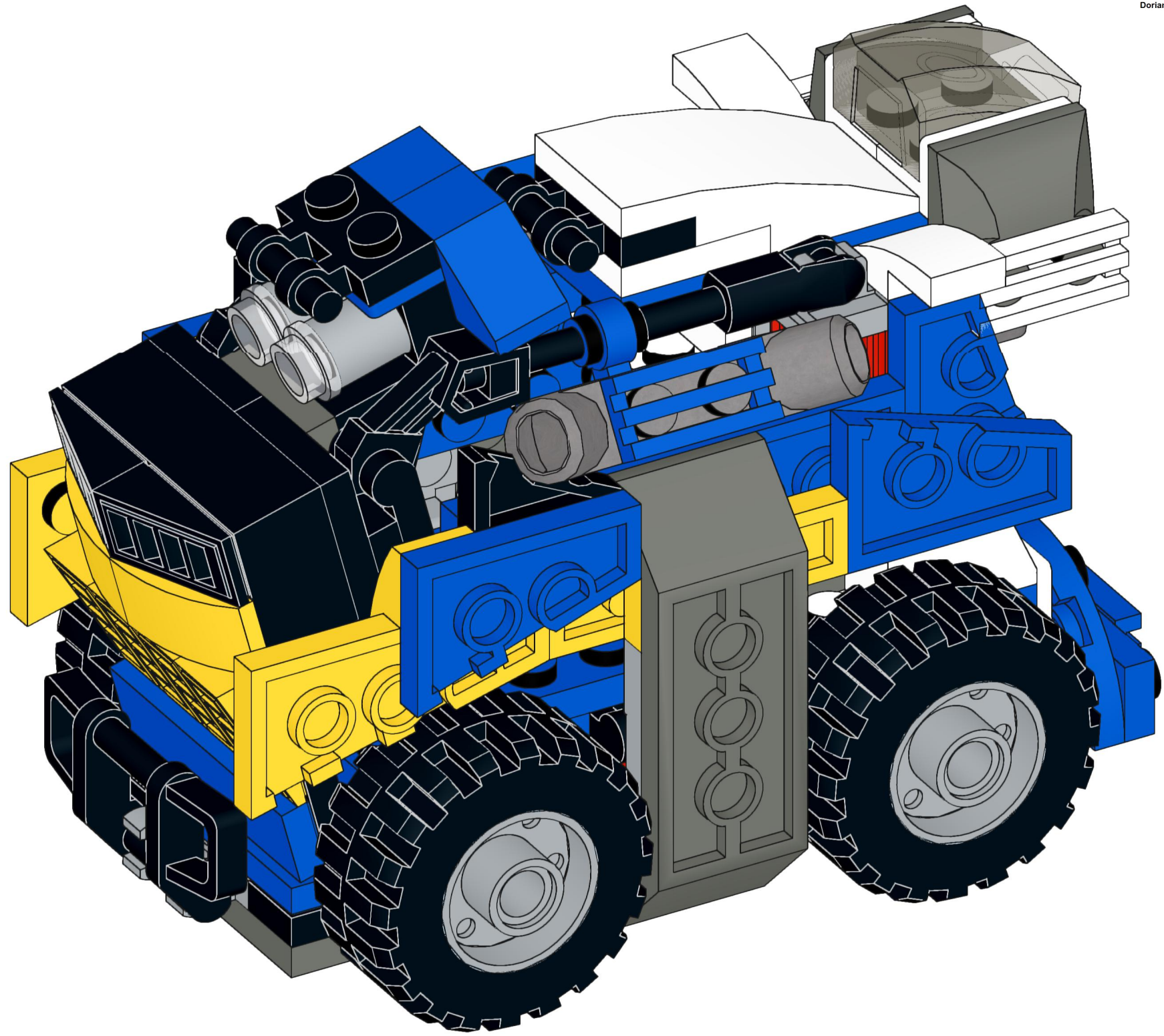


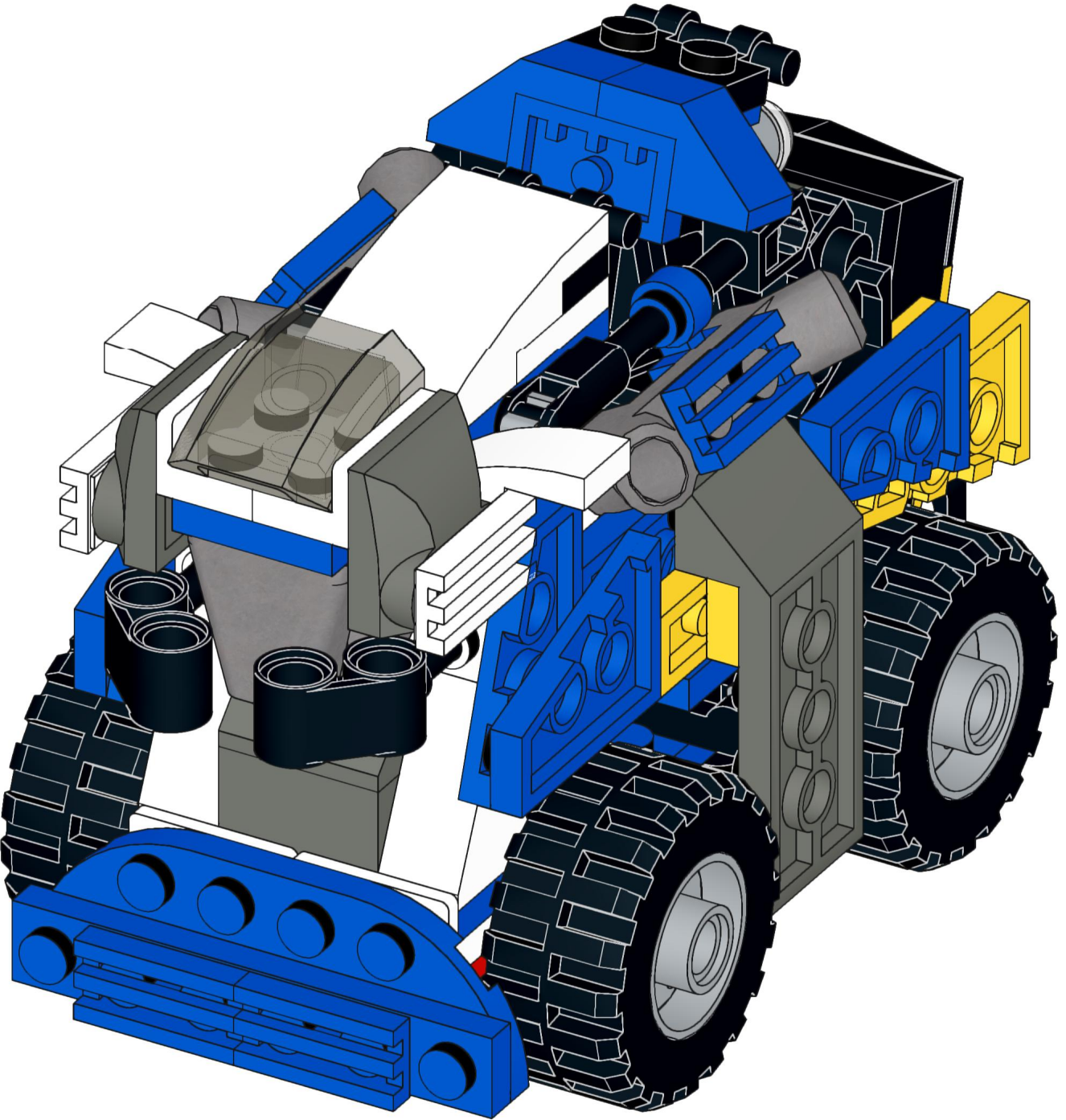
49





PRO TIP:
rearrange the pieces on the front
to make a custom front design

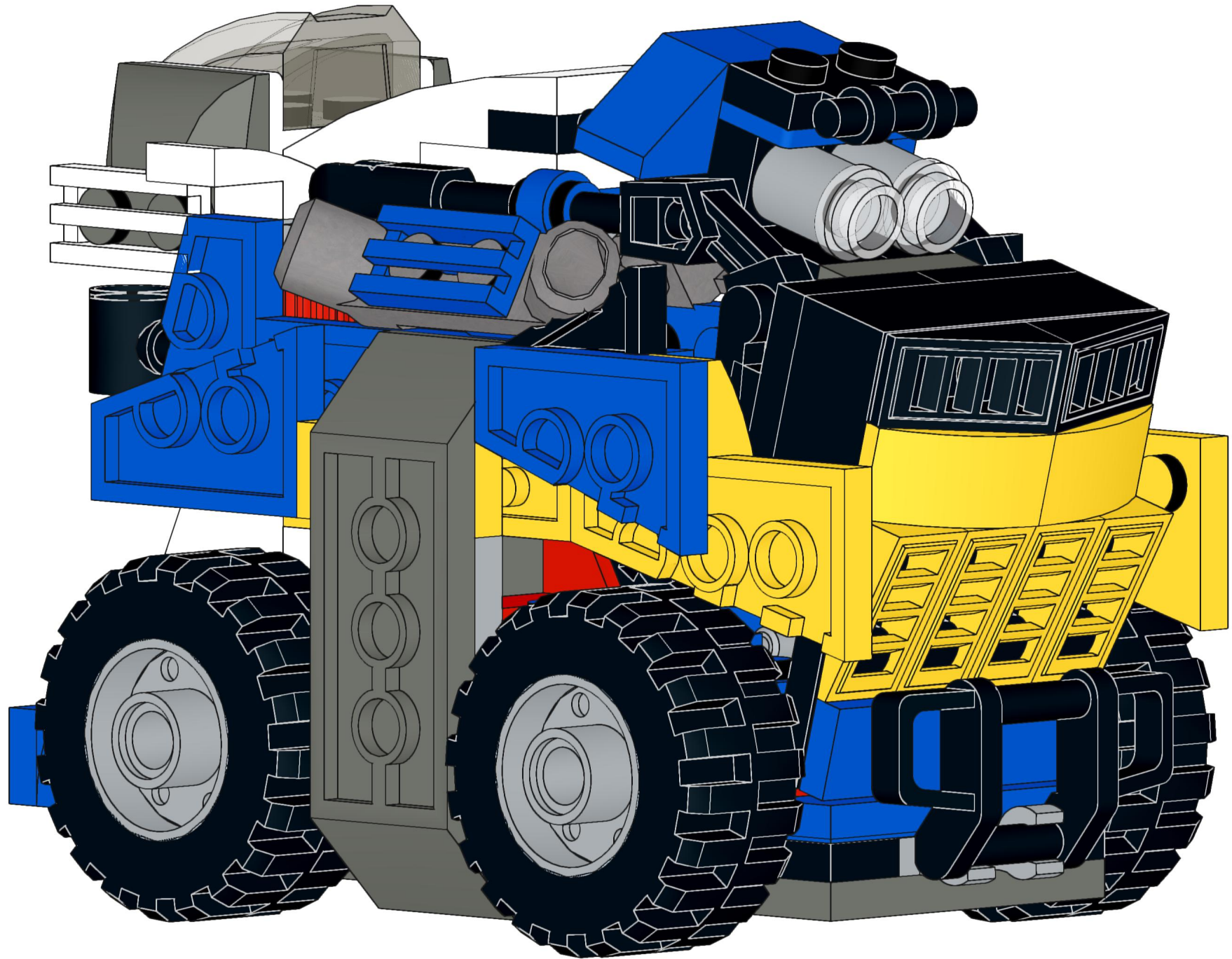


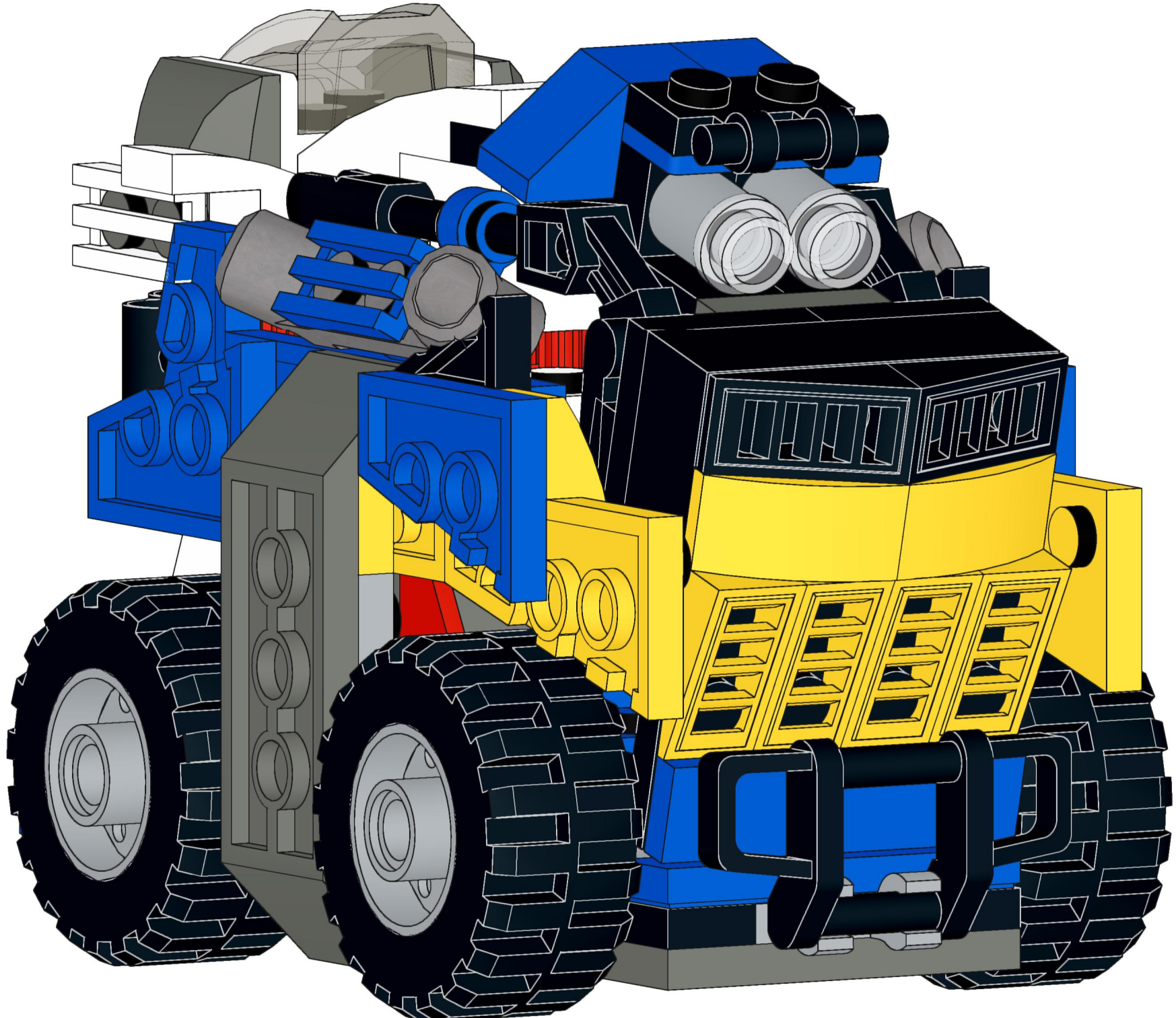


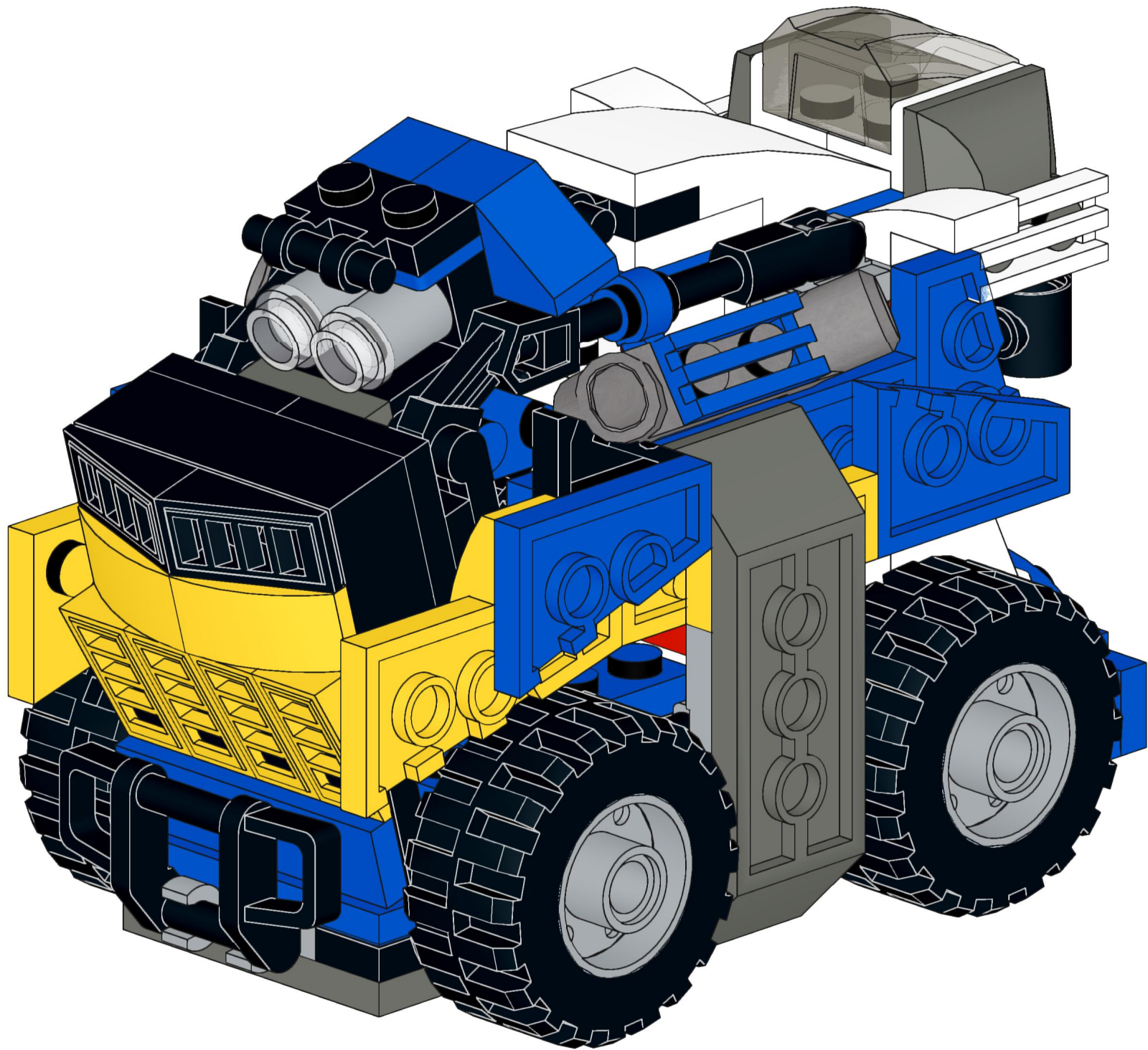
53

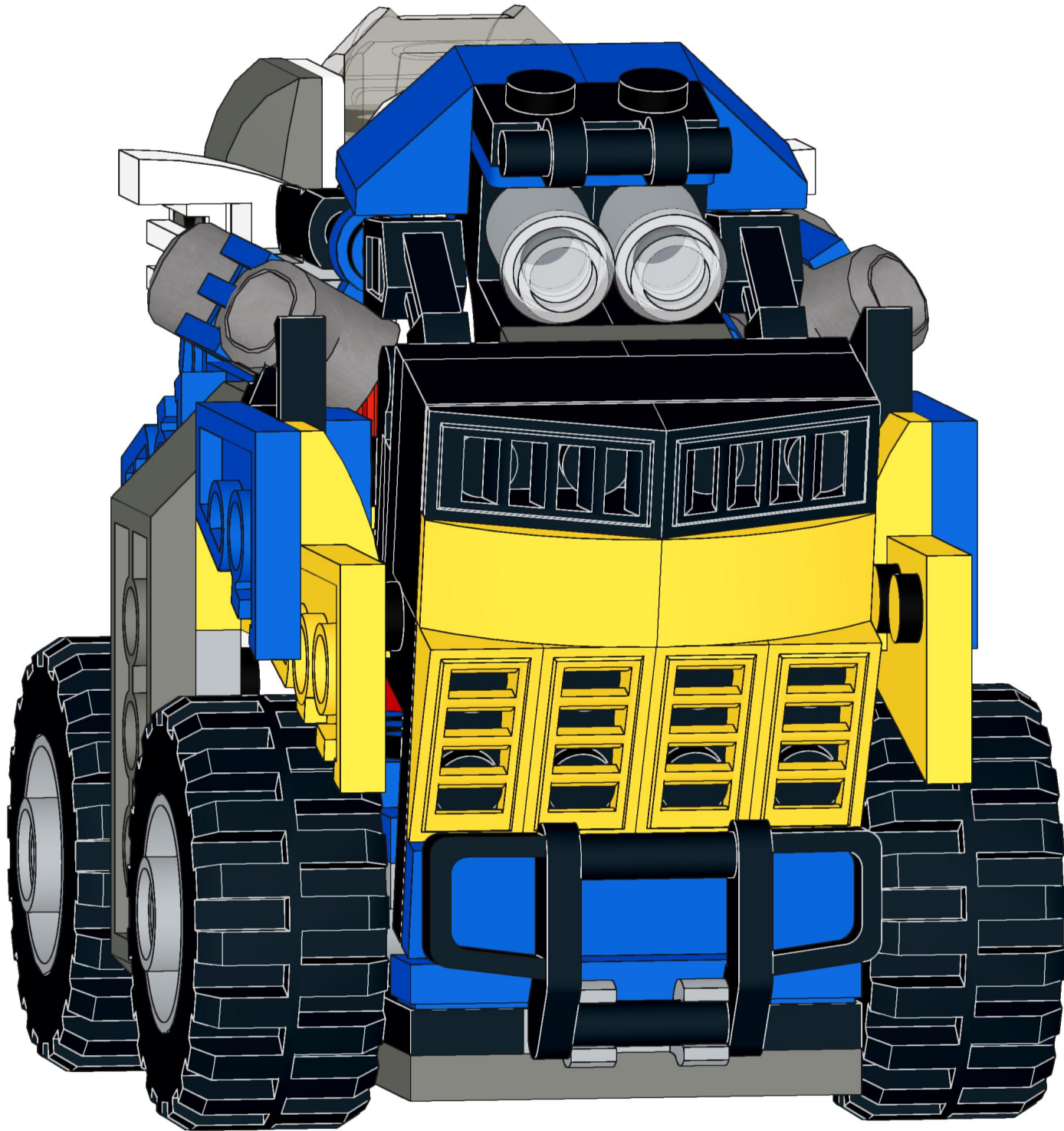


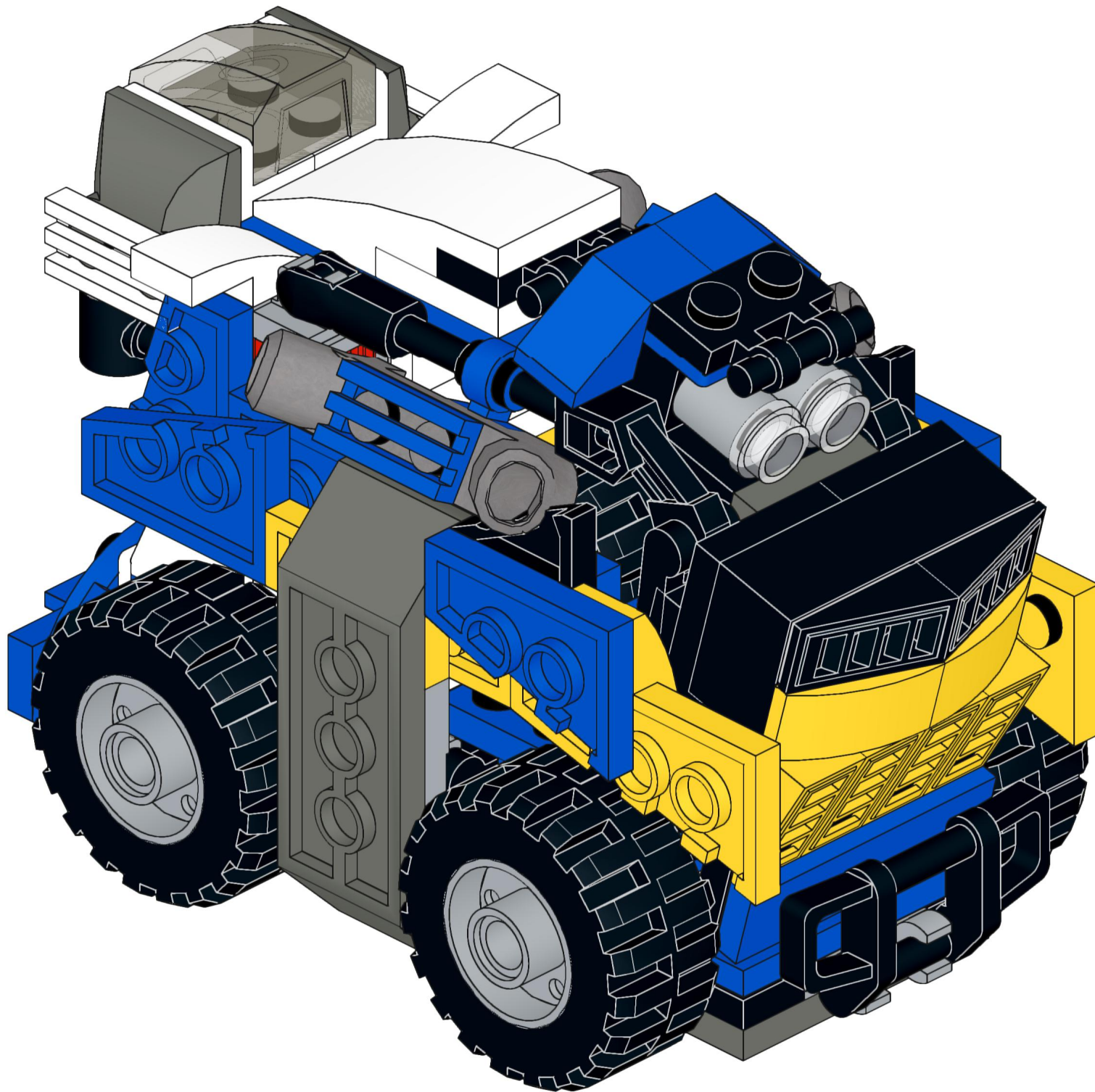
space bar

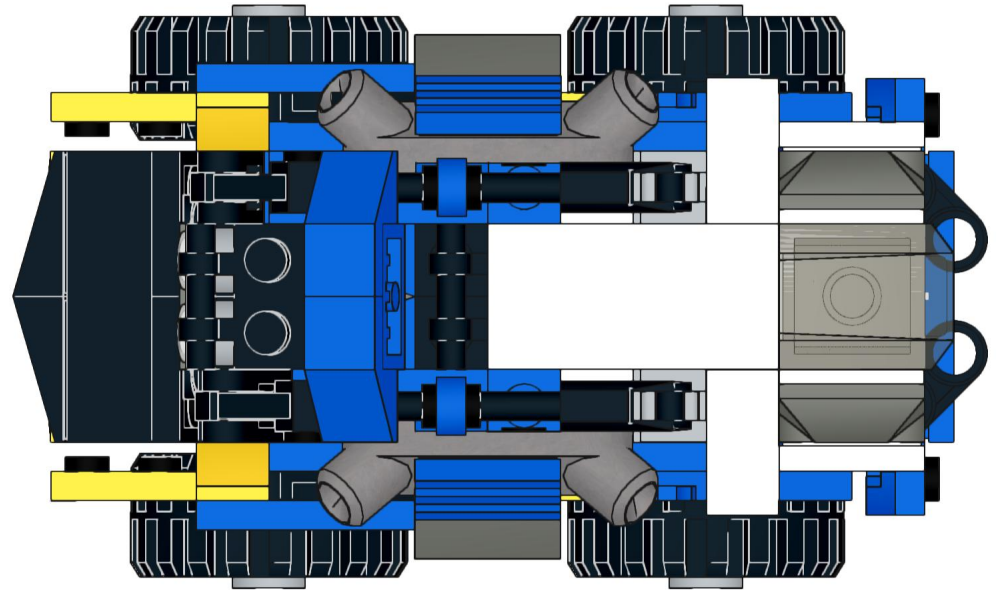
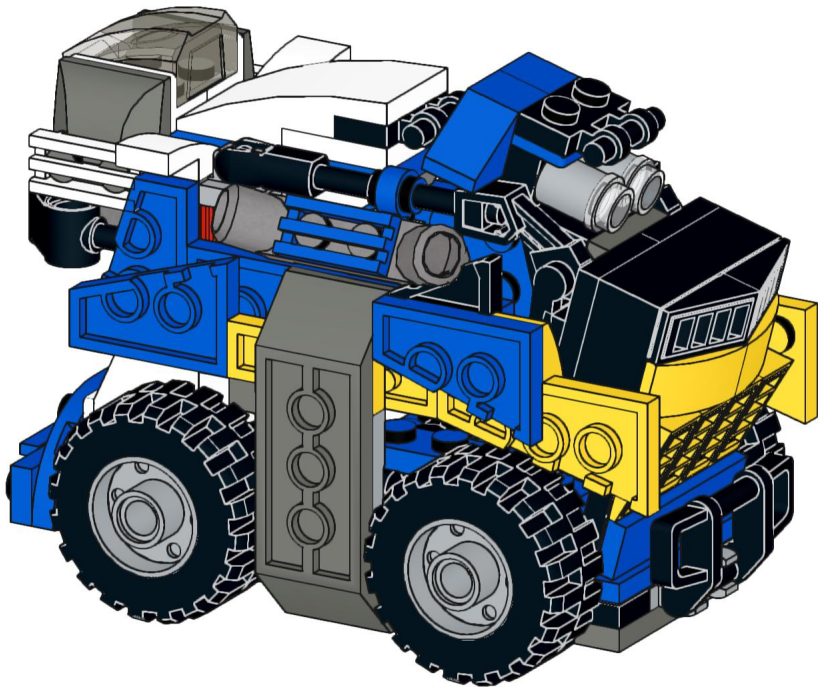
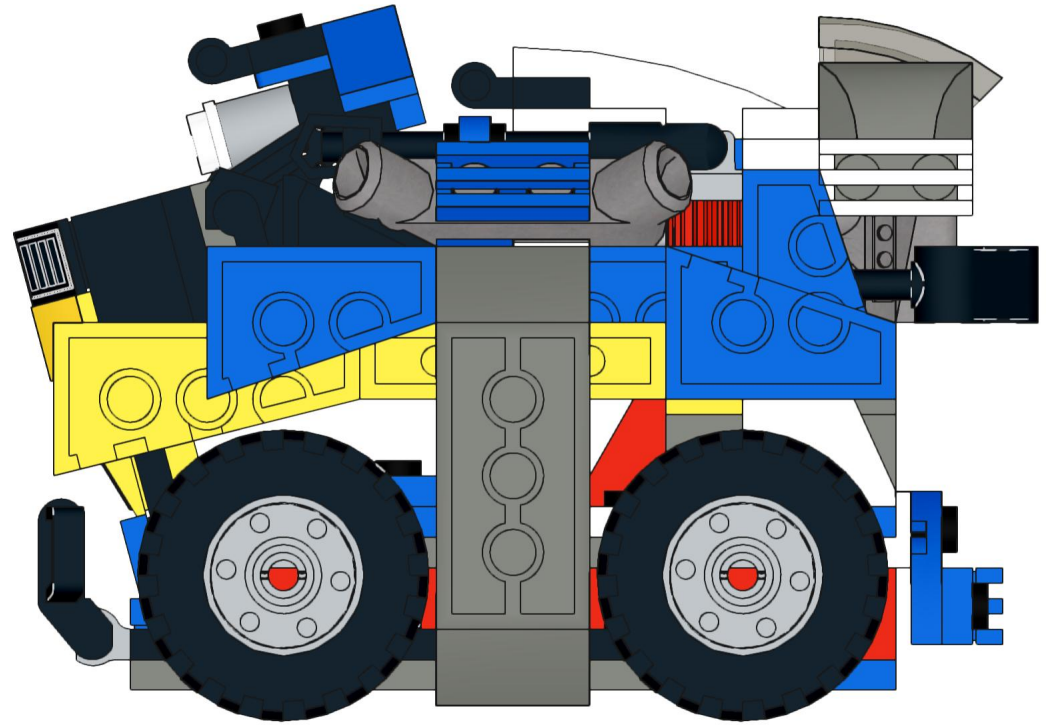
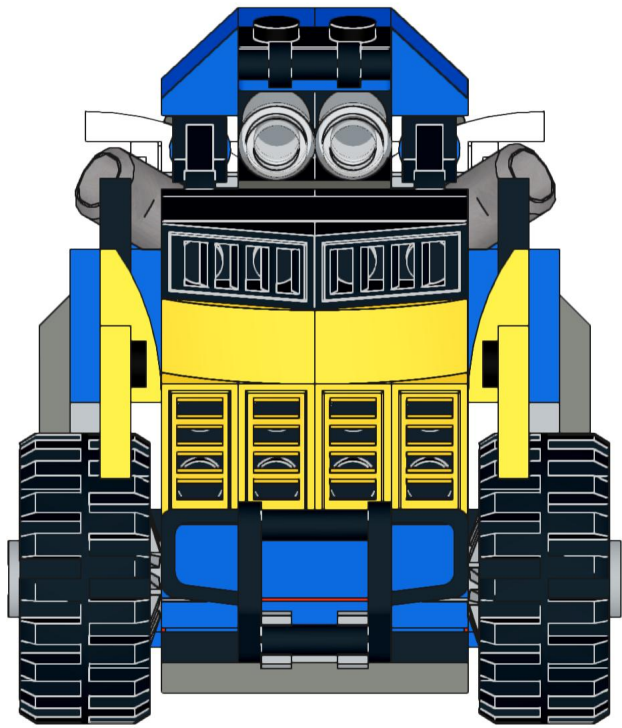












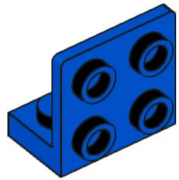




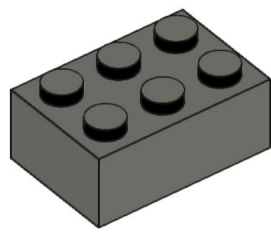




2x
23443, 11



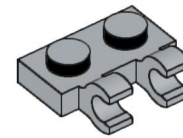
1x
99207, 7



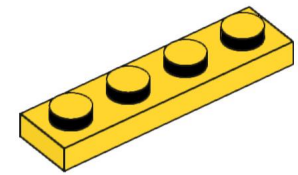
1x
3002, 85



2x
98313, 11



1x
60470b, 86



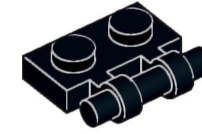
4x
3710, 3



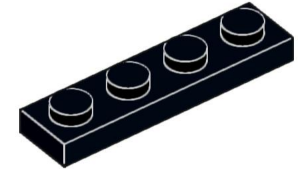
3x
30374, 11



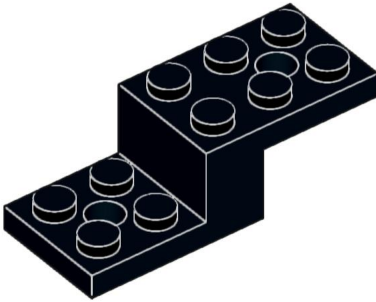
2x
4073, 12



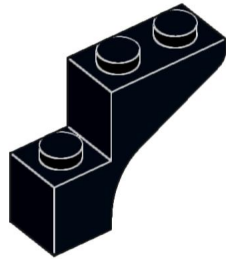
2x
2540, 11



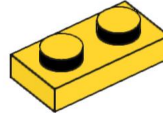
1x
3710, 11



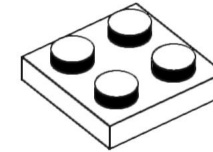
2x
11215, 11



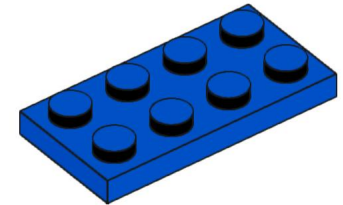
2x
88292, 11



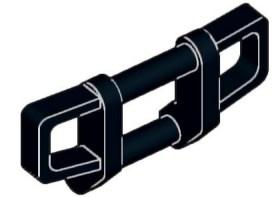
3x
3023, 3



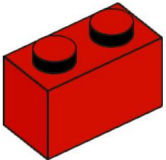
5x
3022, 1



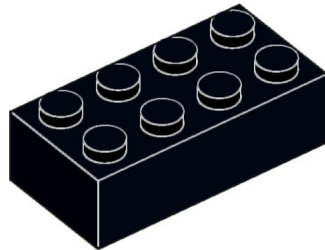
3x
3020, 7



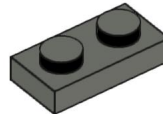
1x
35654, 11



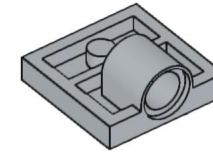
2x
3004, 5



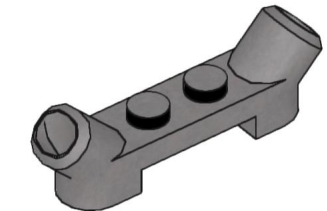
1x
3001, 11



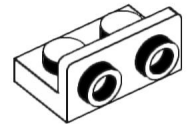
3x
3023, 85



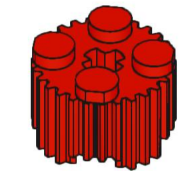
4x
10247, 86



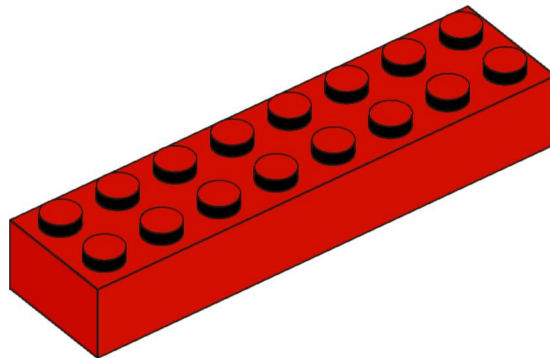
2x
61072, 95



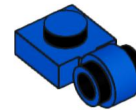
6x
99780, 1



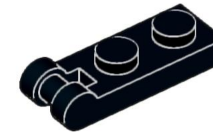
2x
92947, 5



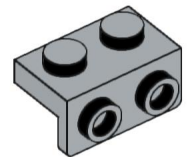
1x
3007, 5



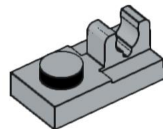
2x
4081b, 7



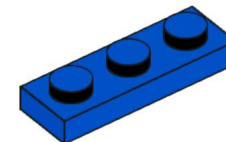
4x
60478, 11



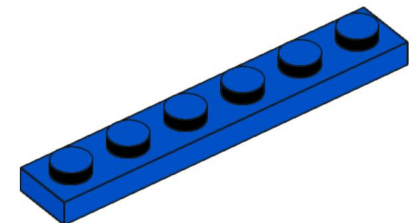
2x
99781, 86



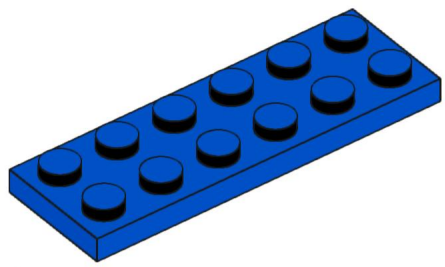
4x
92280, 86



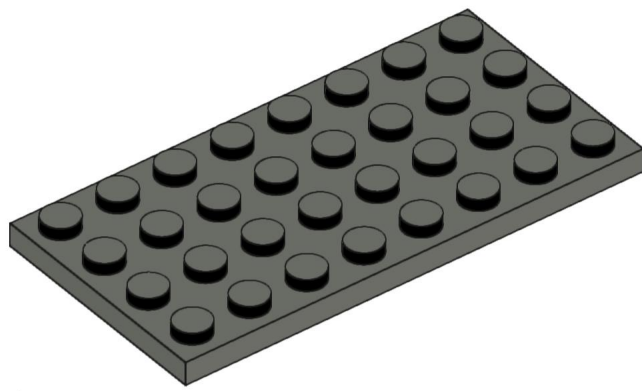
2x
3623, 7



1x
3666, 7



3x
3795, 7



1x
3035, 85



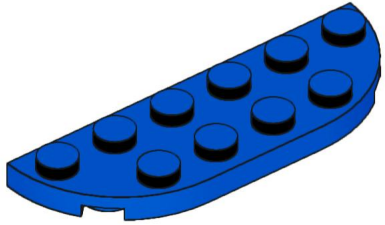
2x
61409, 11



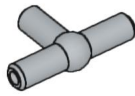
2x
60481, 1



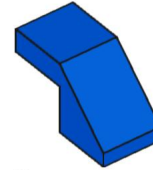
2x
85940, 11



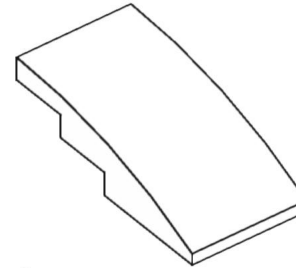
1x
18980, 7



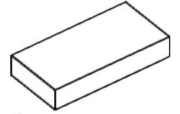
1x
4697b, 86



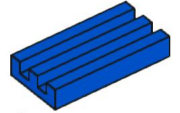
2x
28192, 7



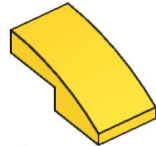
1x
93606, 1



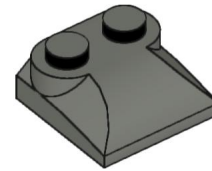
1x
3069b, 1



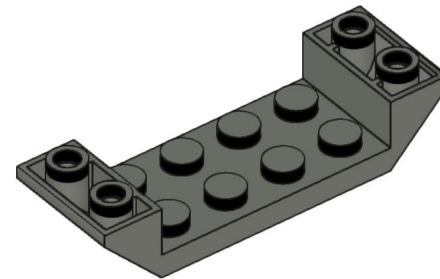
4x
2412b, 7



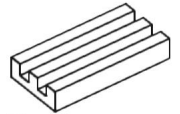
4x
11477, 3



2x
47457, 85



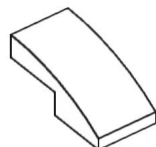
2x
22889, 85



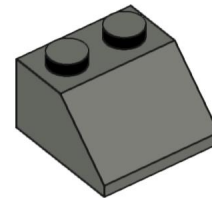
2x
2412b, 1



2x
3460, 11



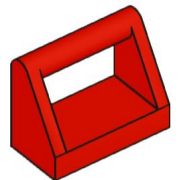
2x
11477, 1



1x
3039, 85



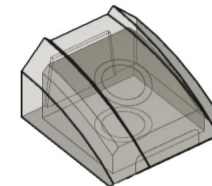
2x
18654, 86



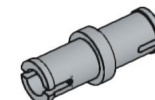
1x
2432, 5



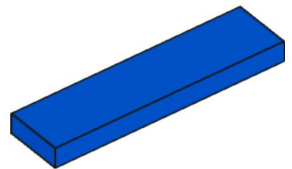
4x
61409, 3



1x
30602, 13



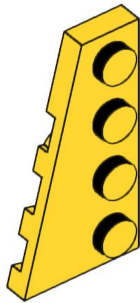
4x
3673, 86



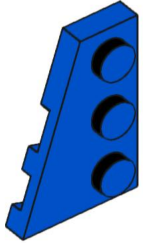
2x
2431, 7



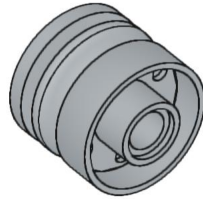
2x
24299, 11



1x
41770, 3



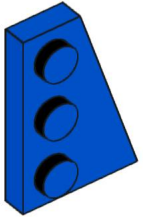
4x
43723, 7



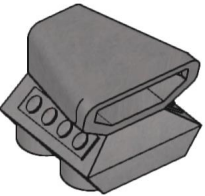
4x
92402, 11



1x
30663, 11

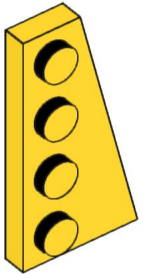


4x
55981, 86



4x
43722, 7

1x
50943, 95



1x
41769, 3



2x
24307, 11