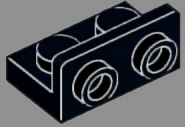
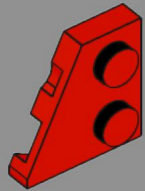


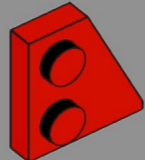
2x



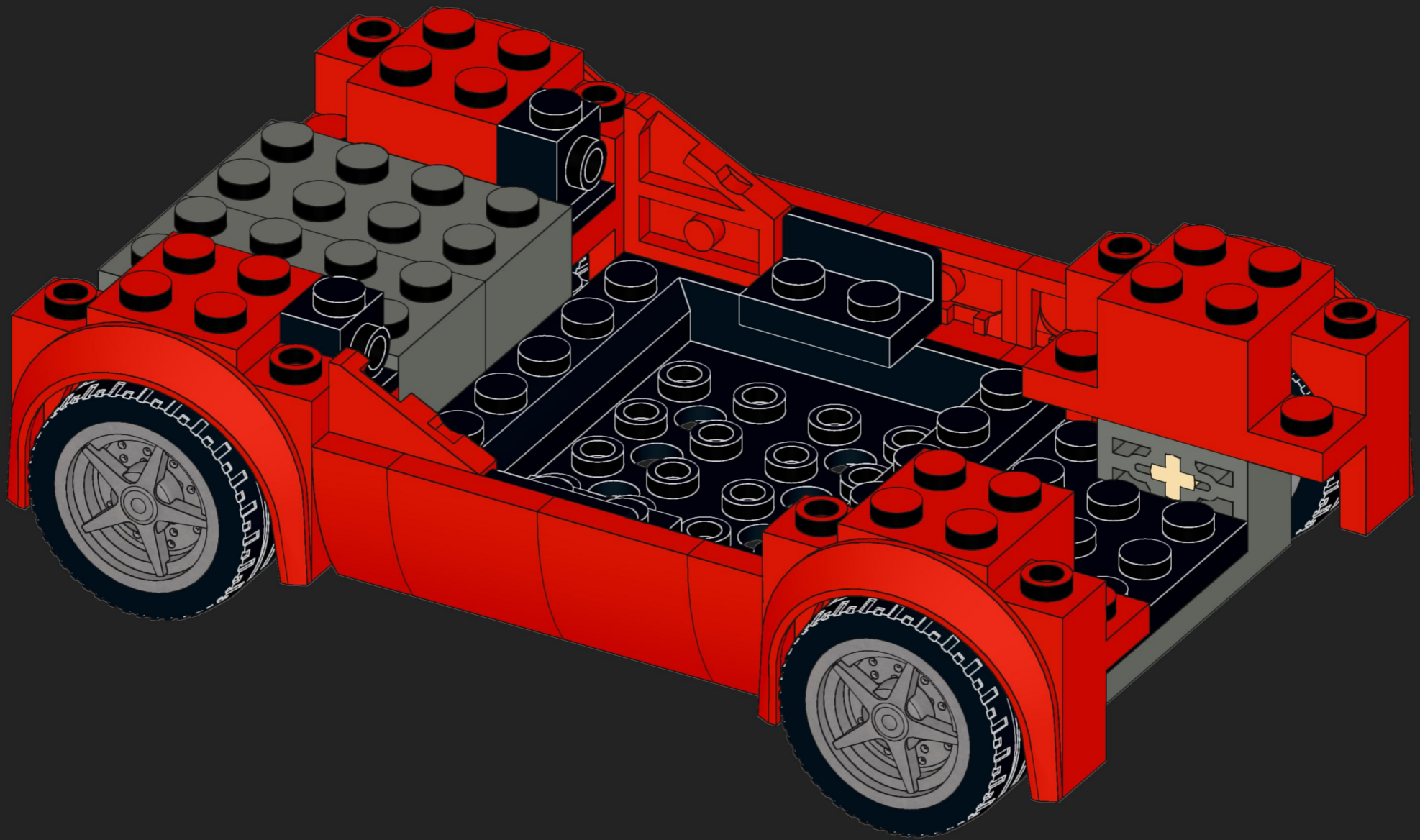
2x

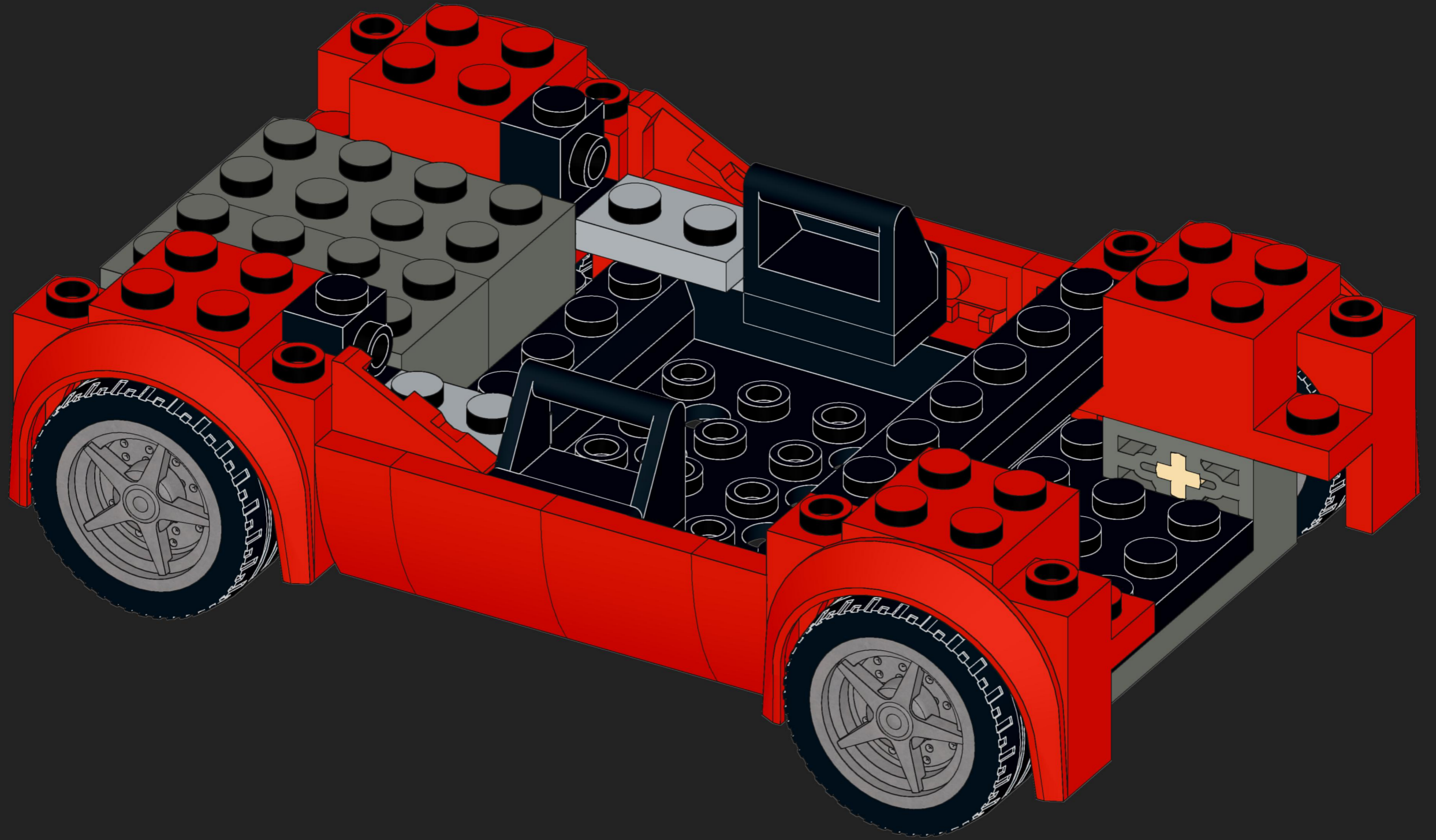
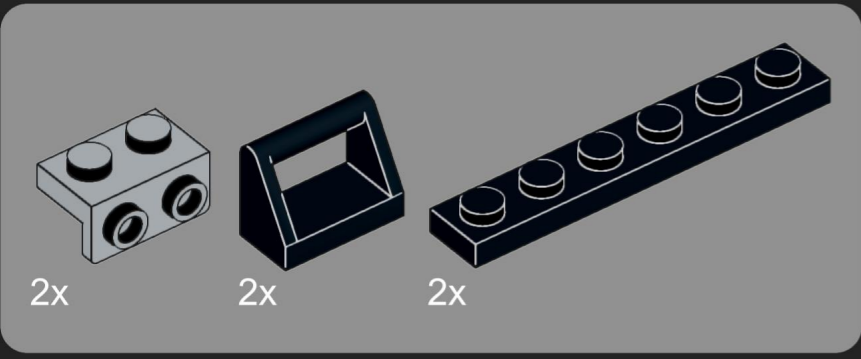


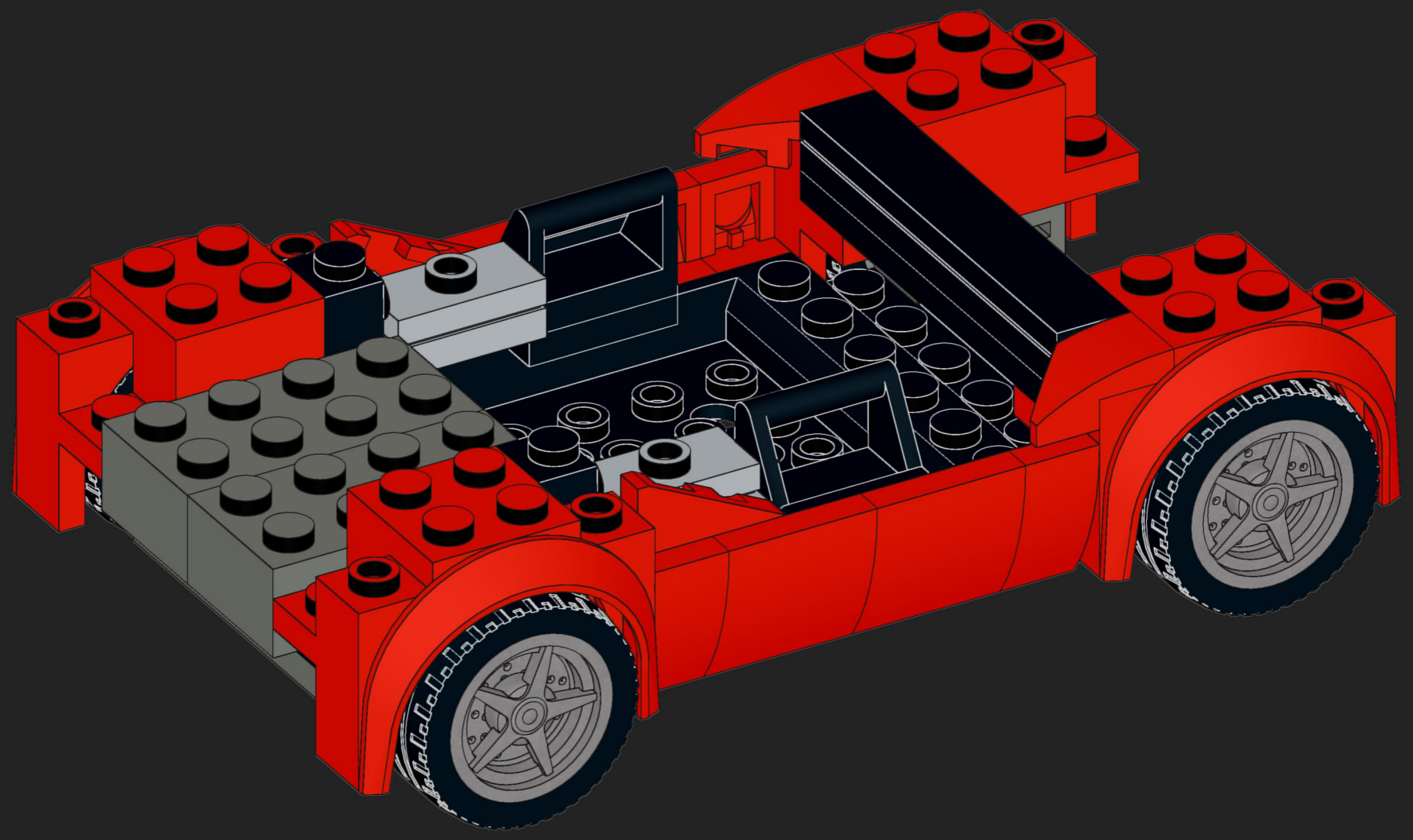
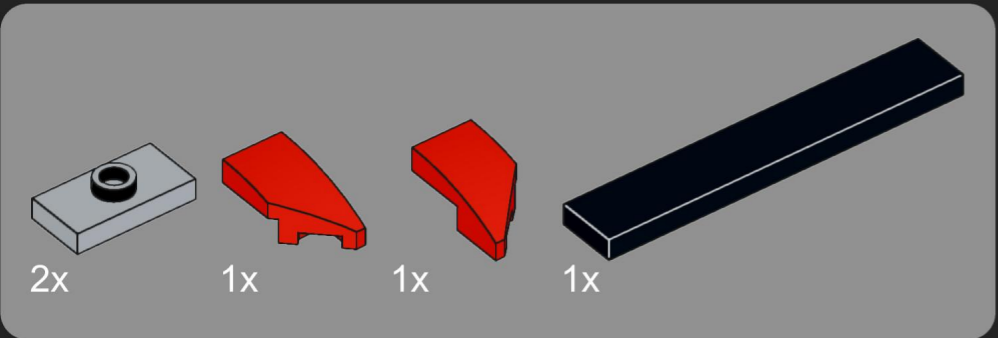
1x

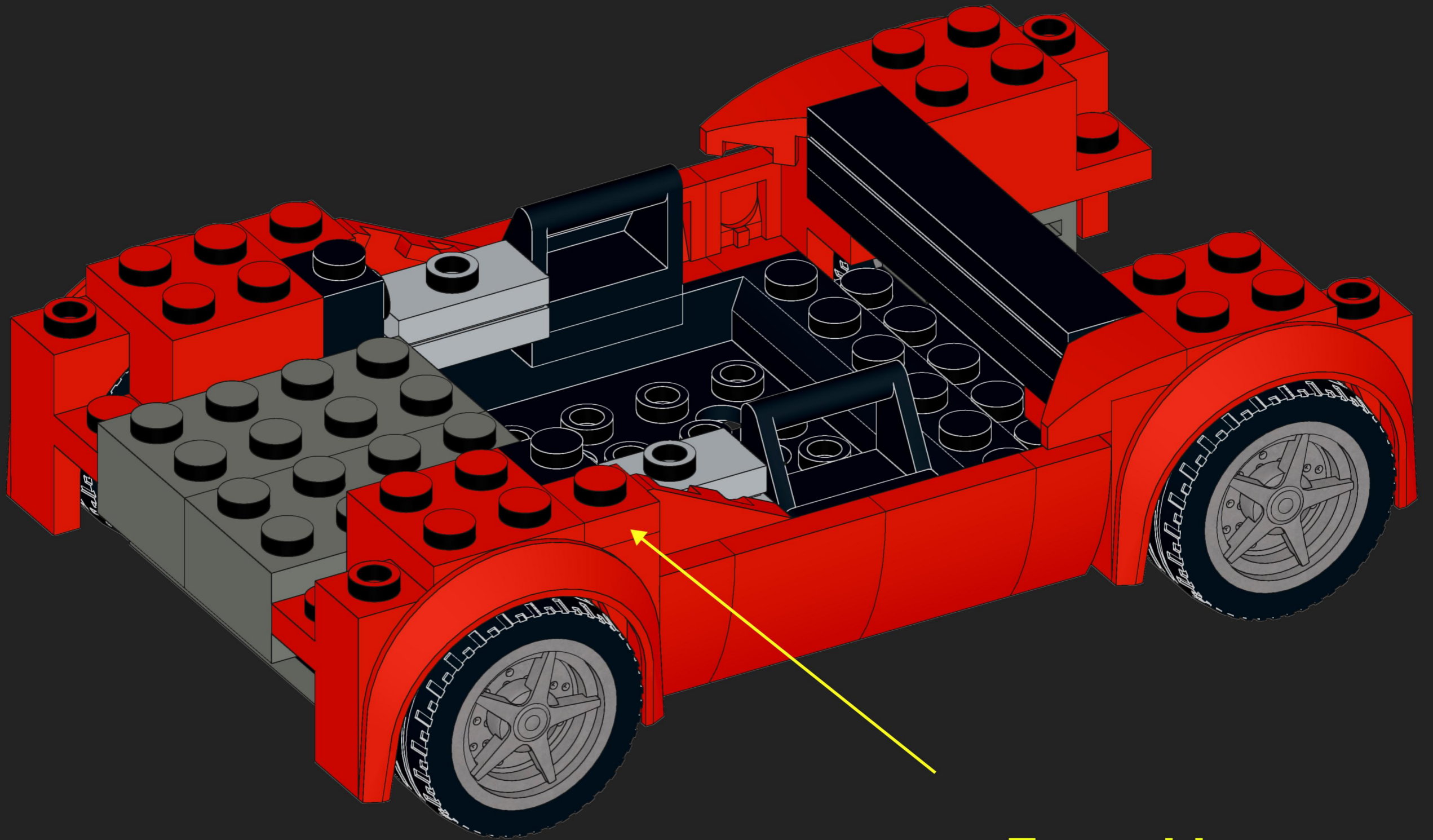
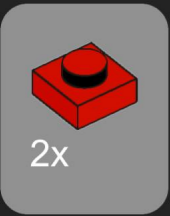


1x

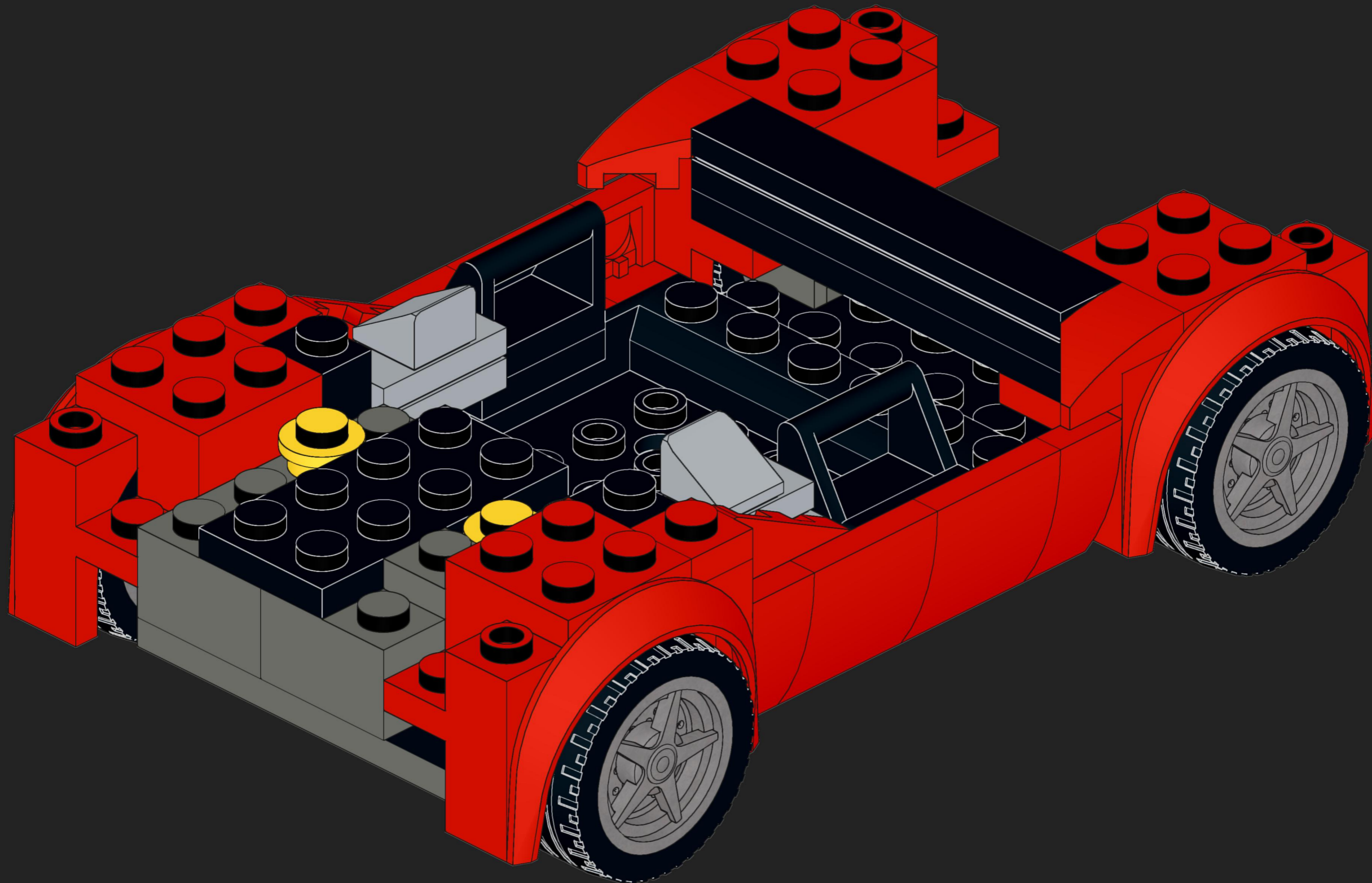
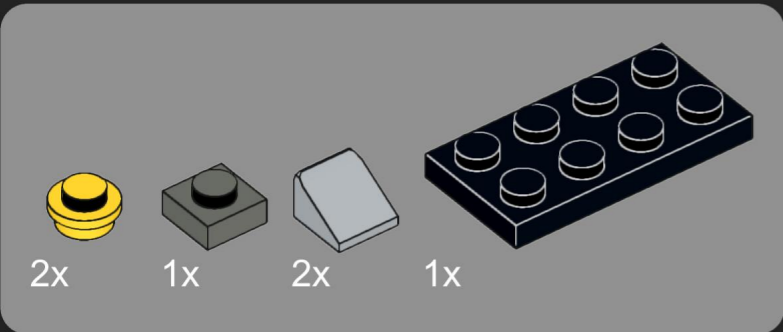


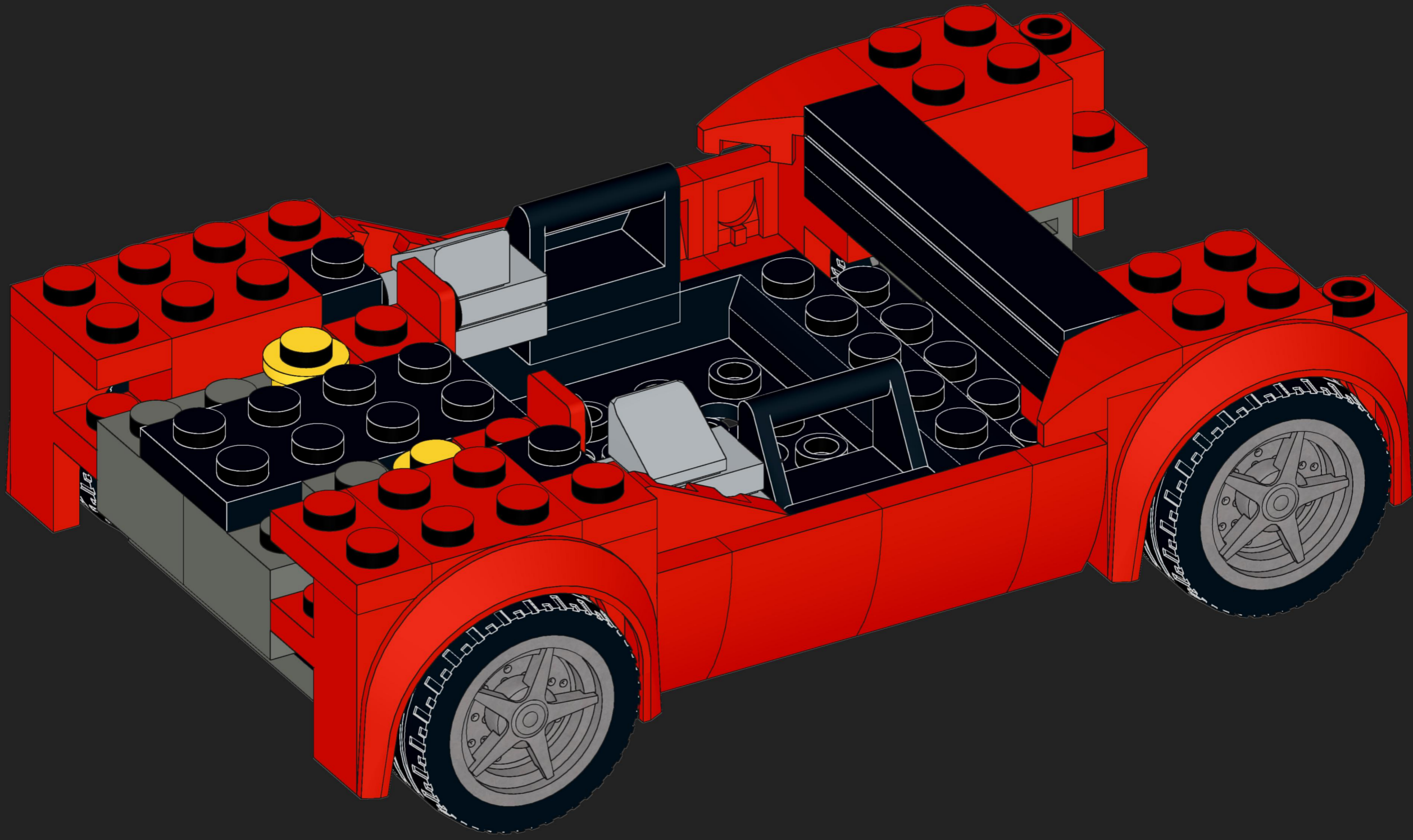
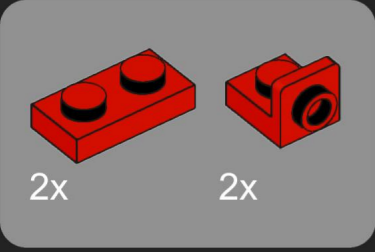


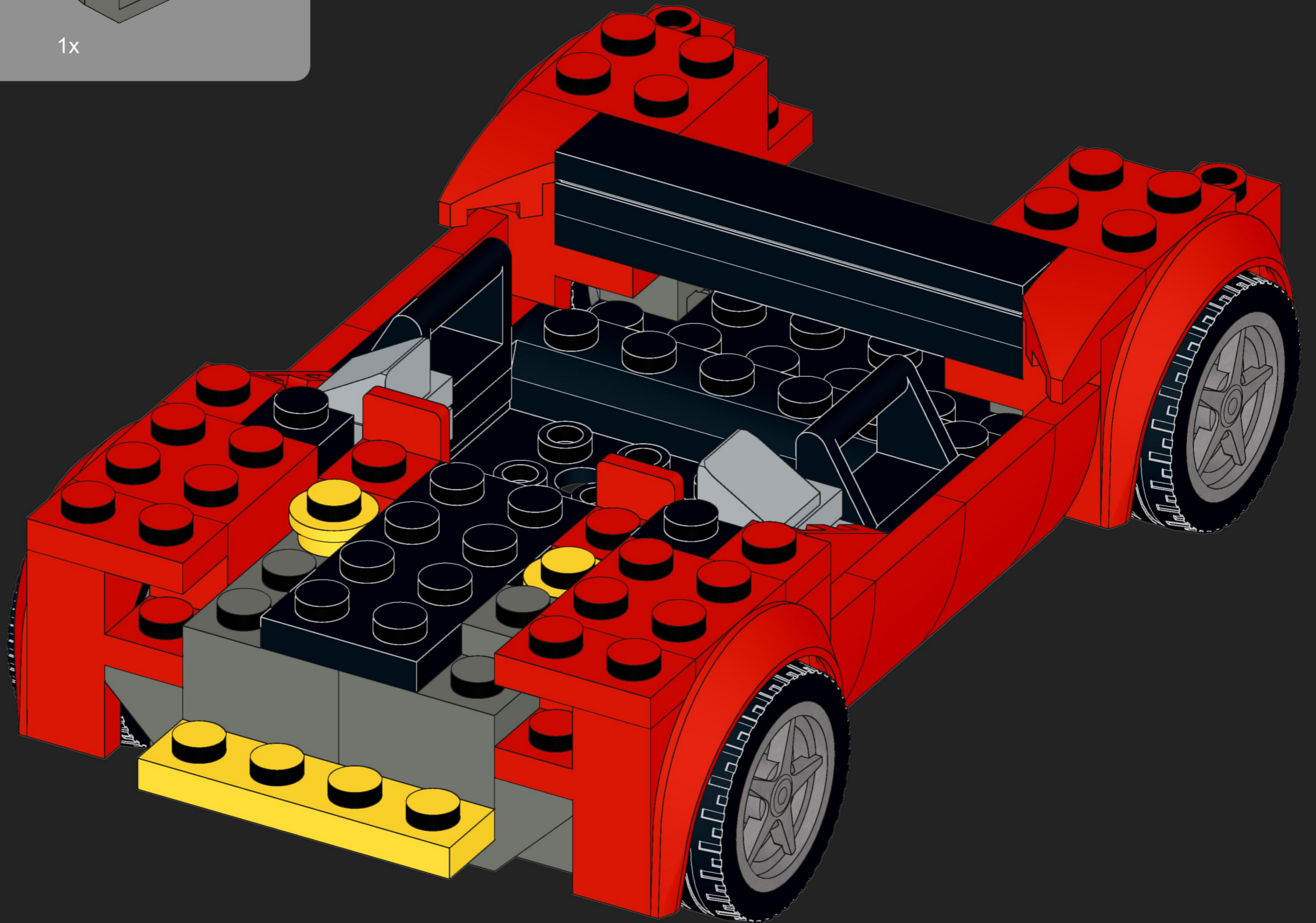
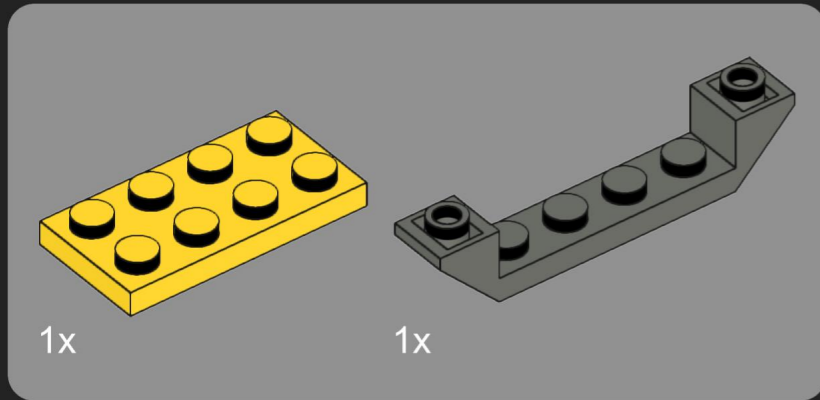


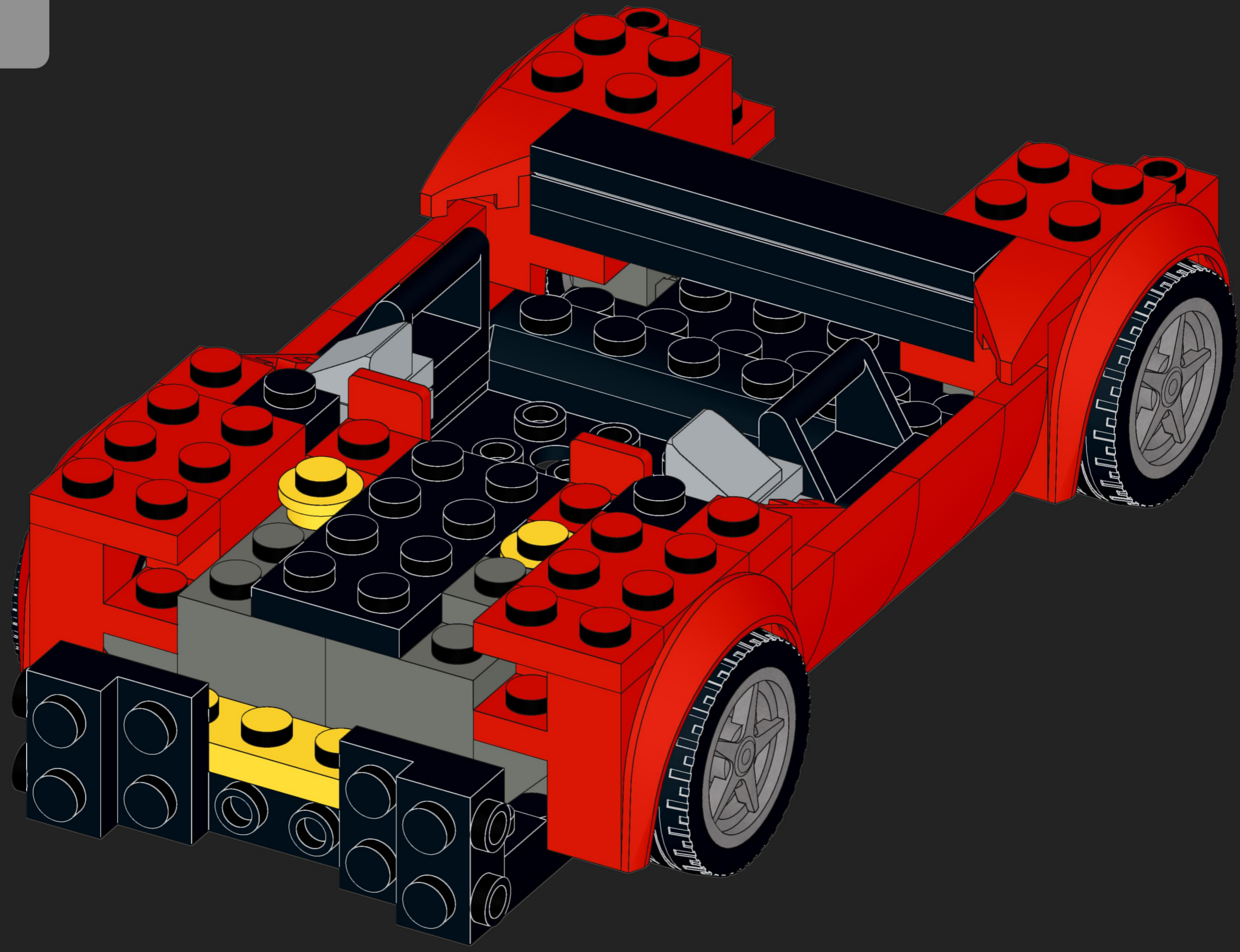


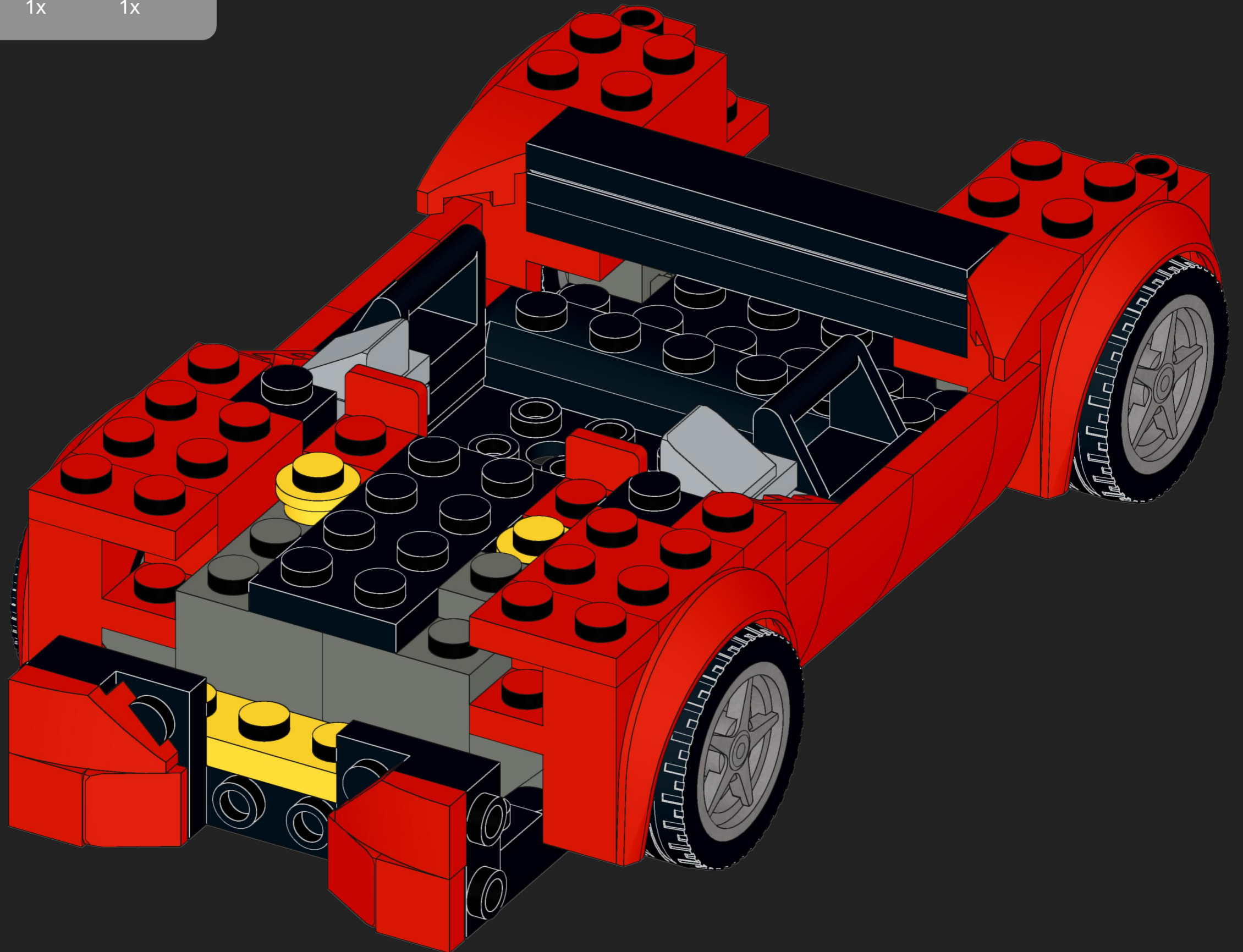
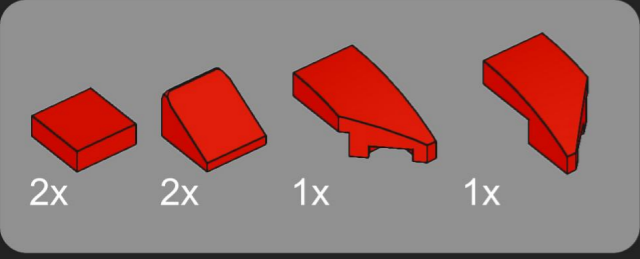
Ferrari logo

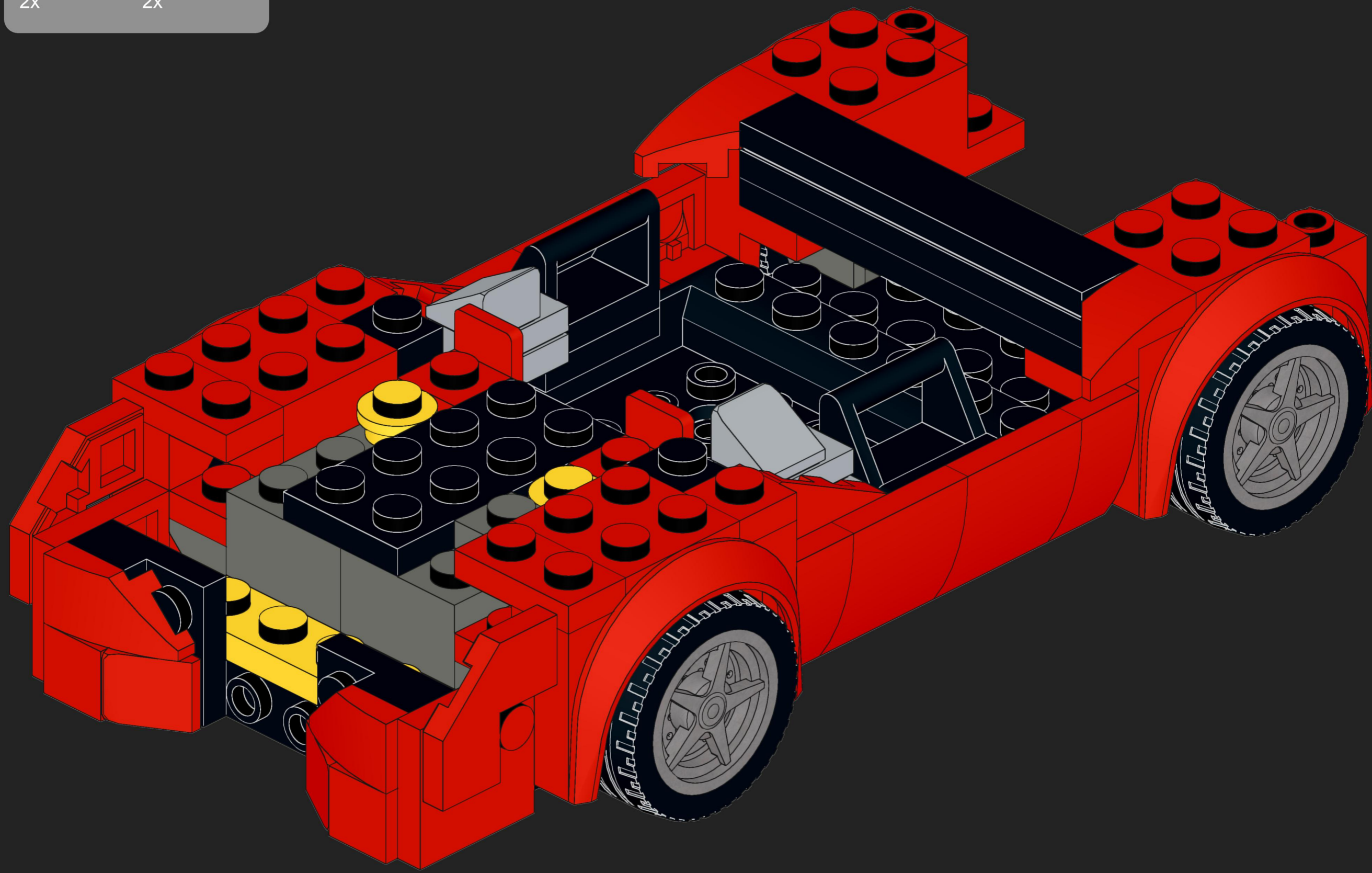
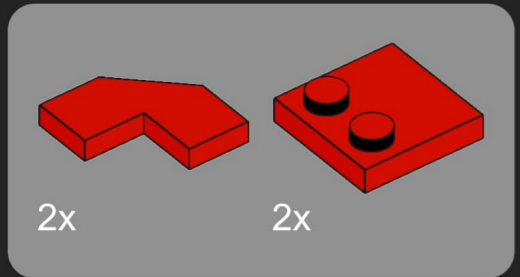


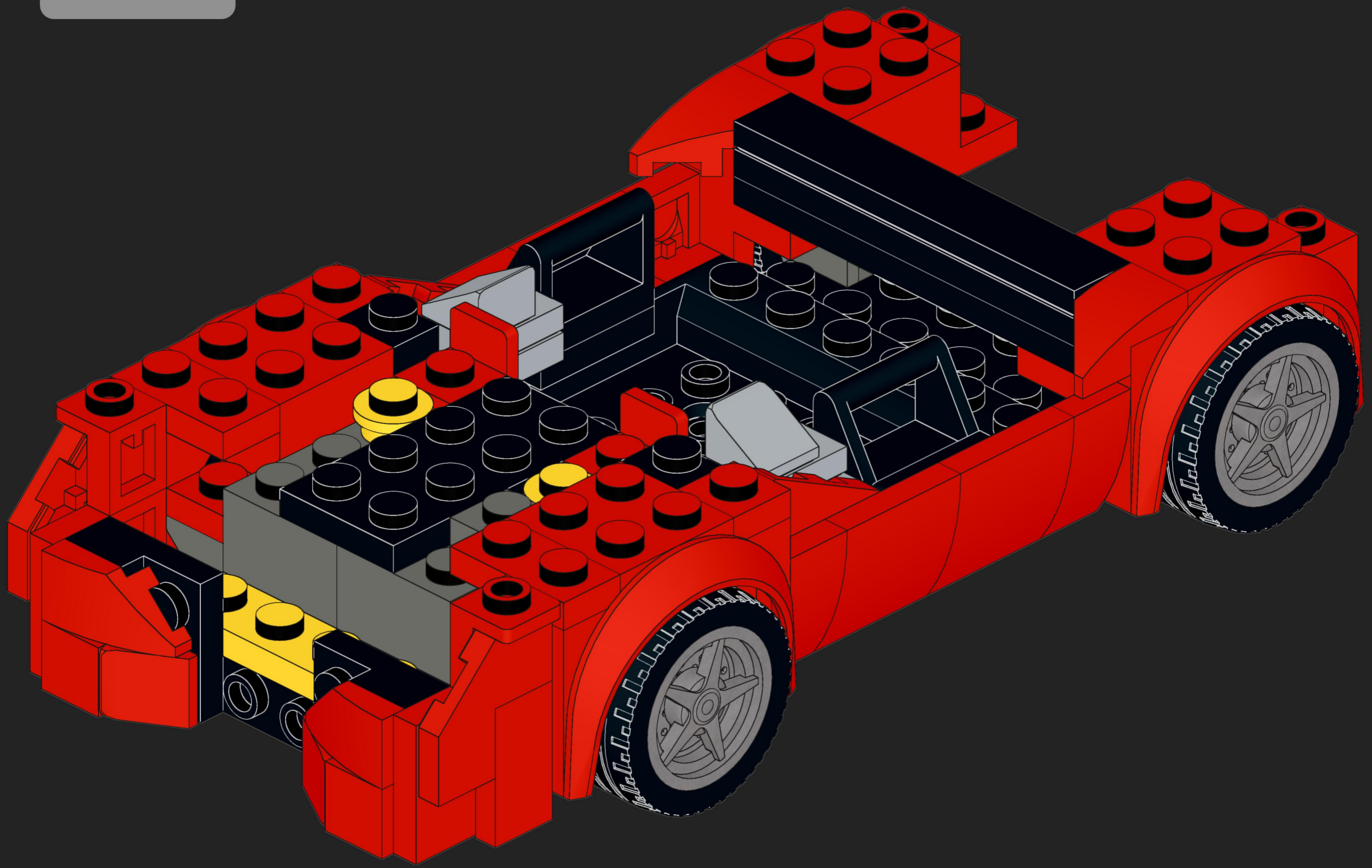
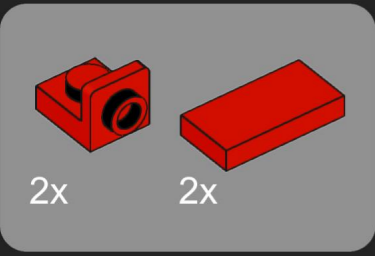


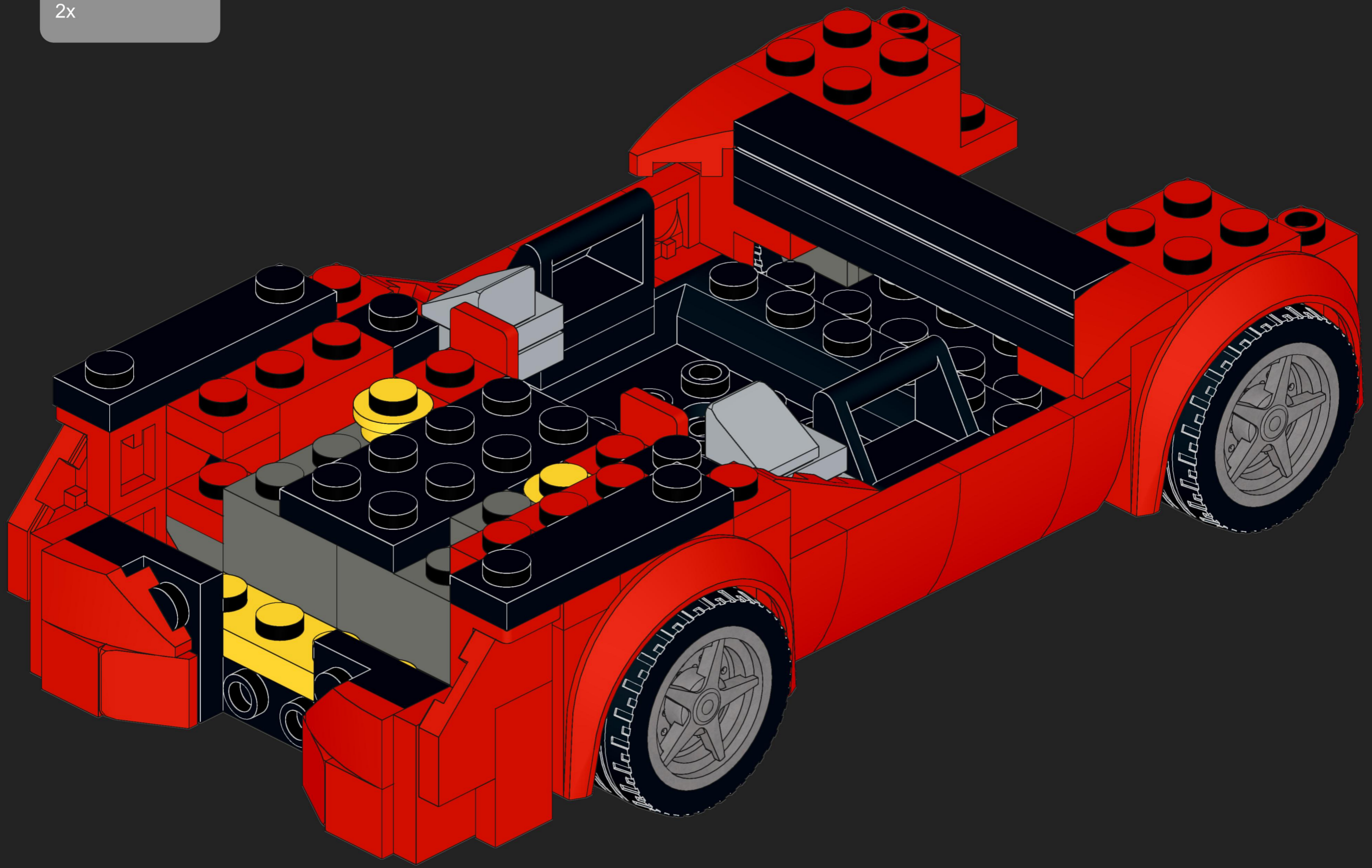
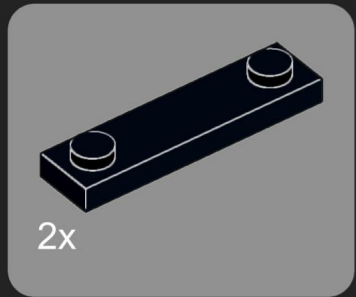




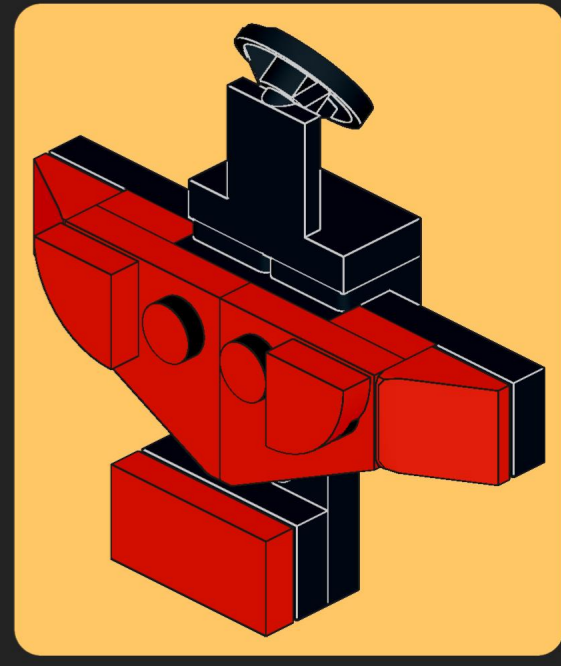
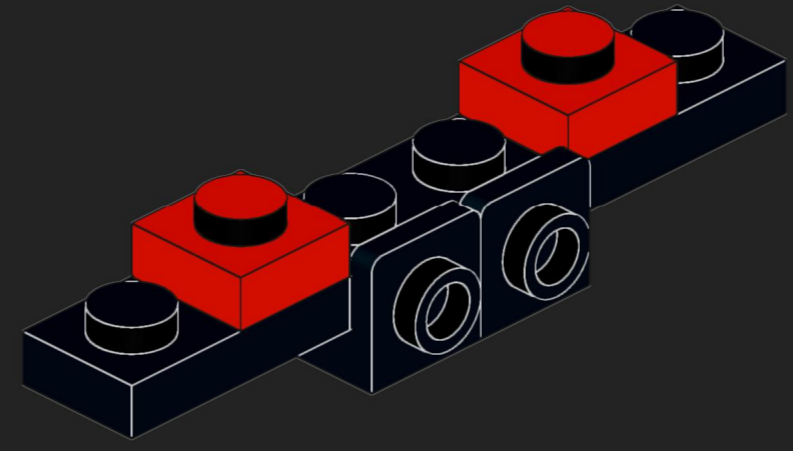
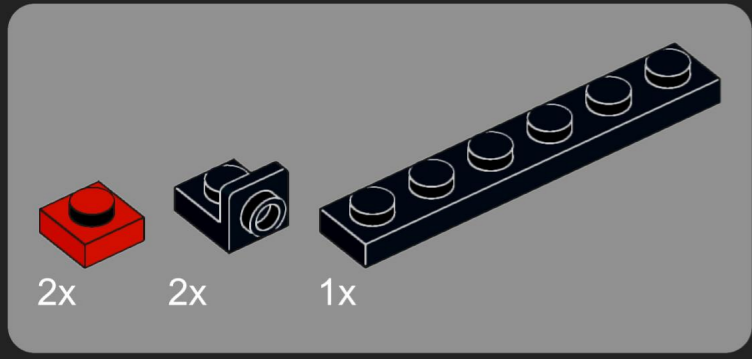




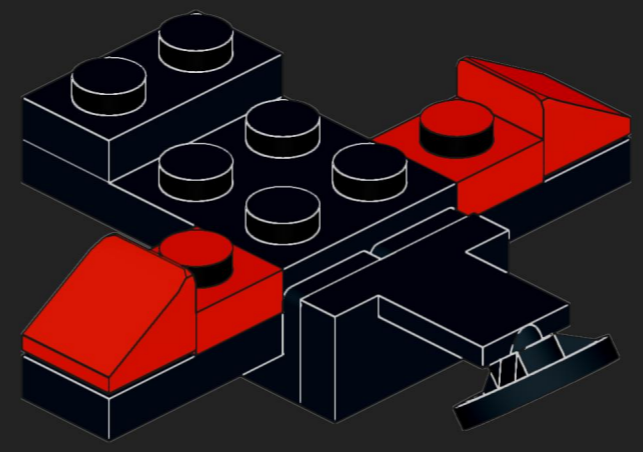
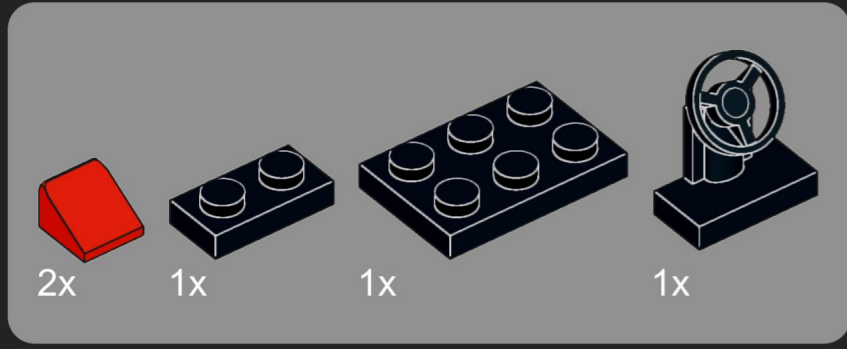




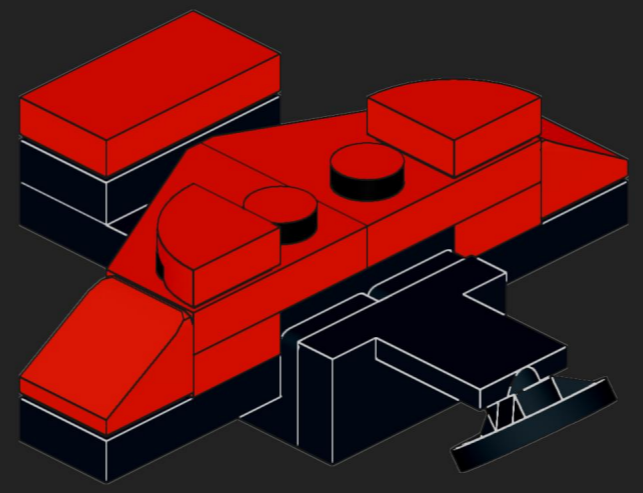
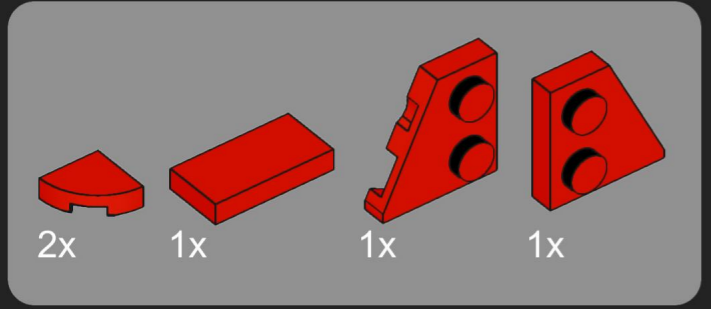
17

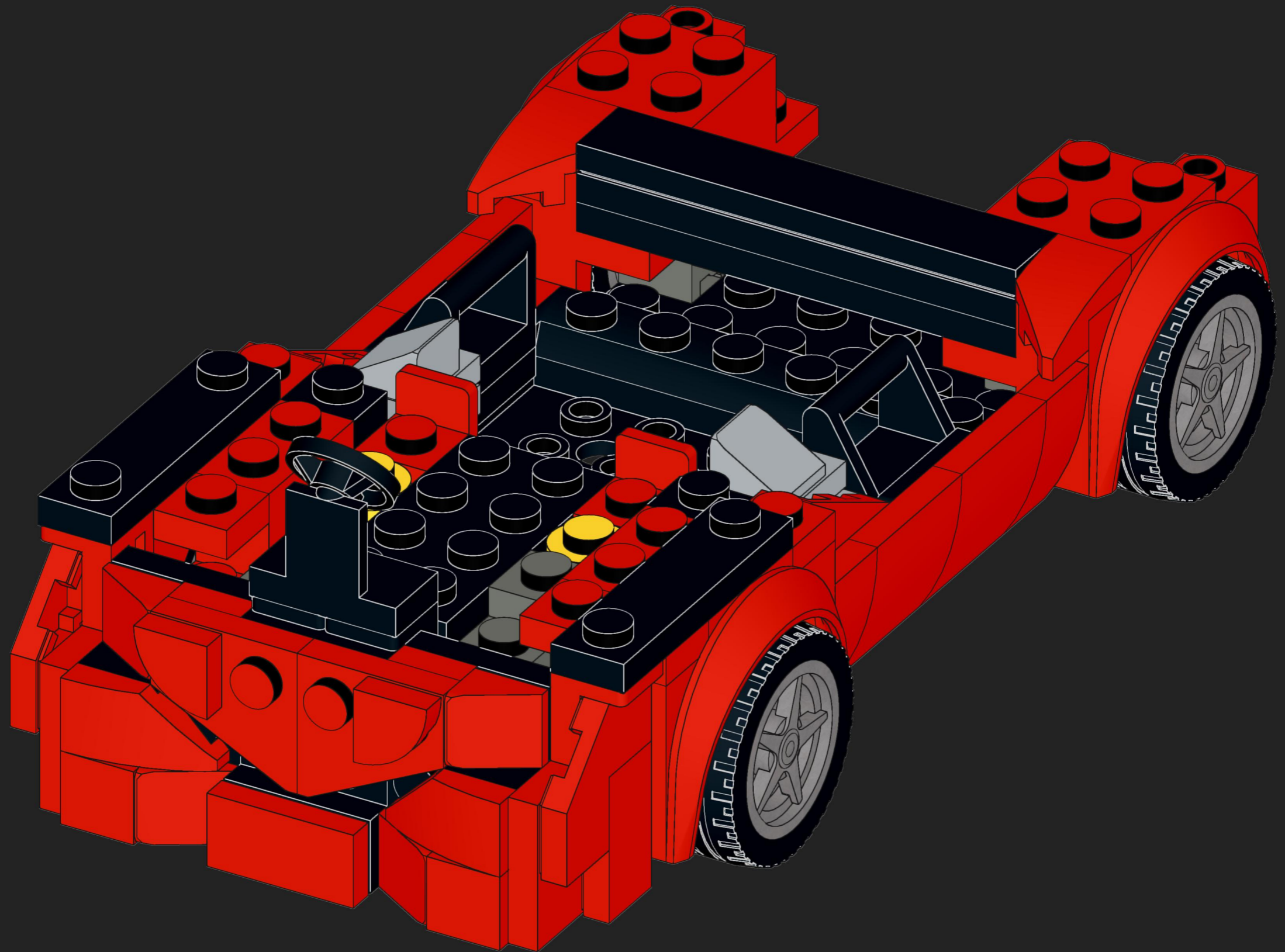


18

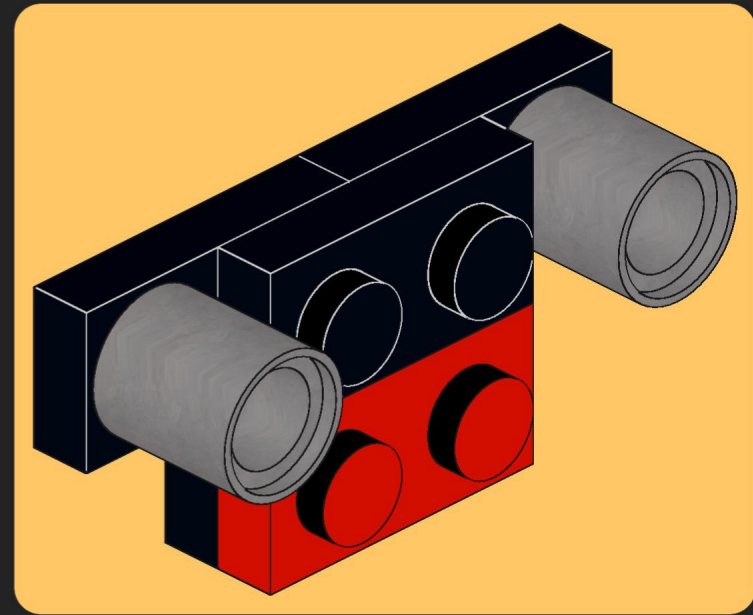
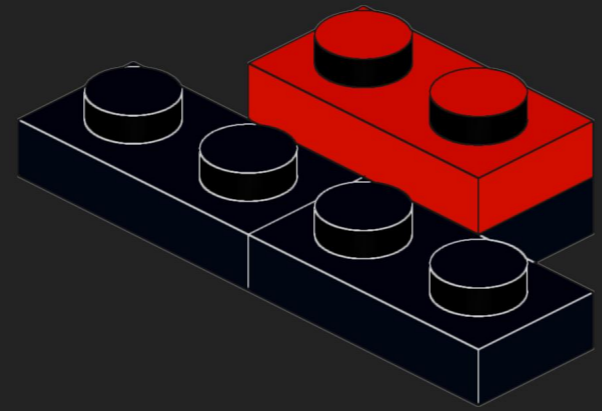
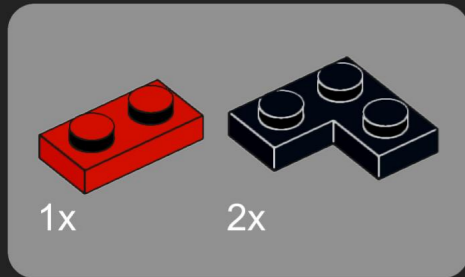


19

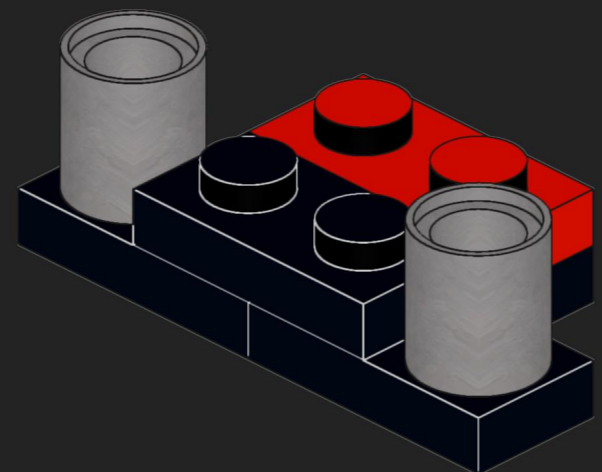
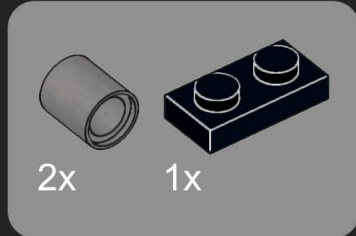


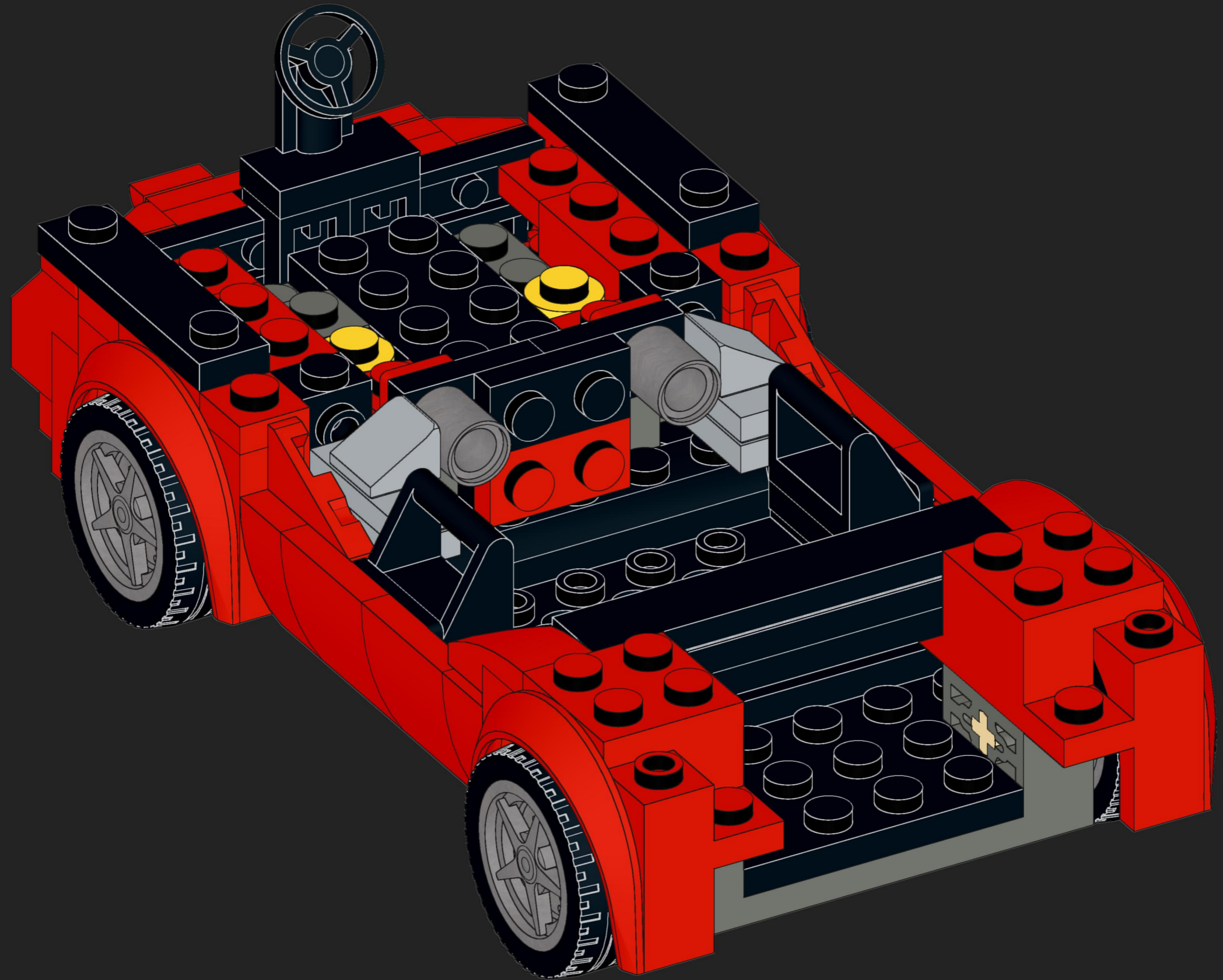


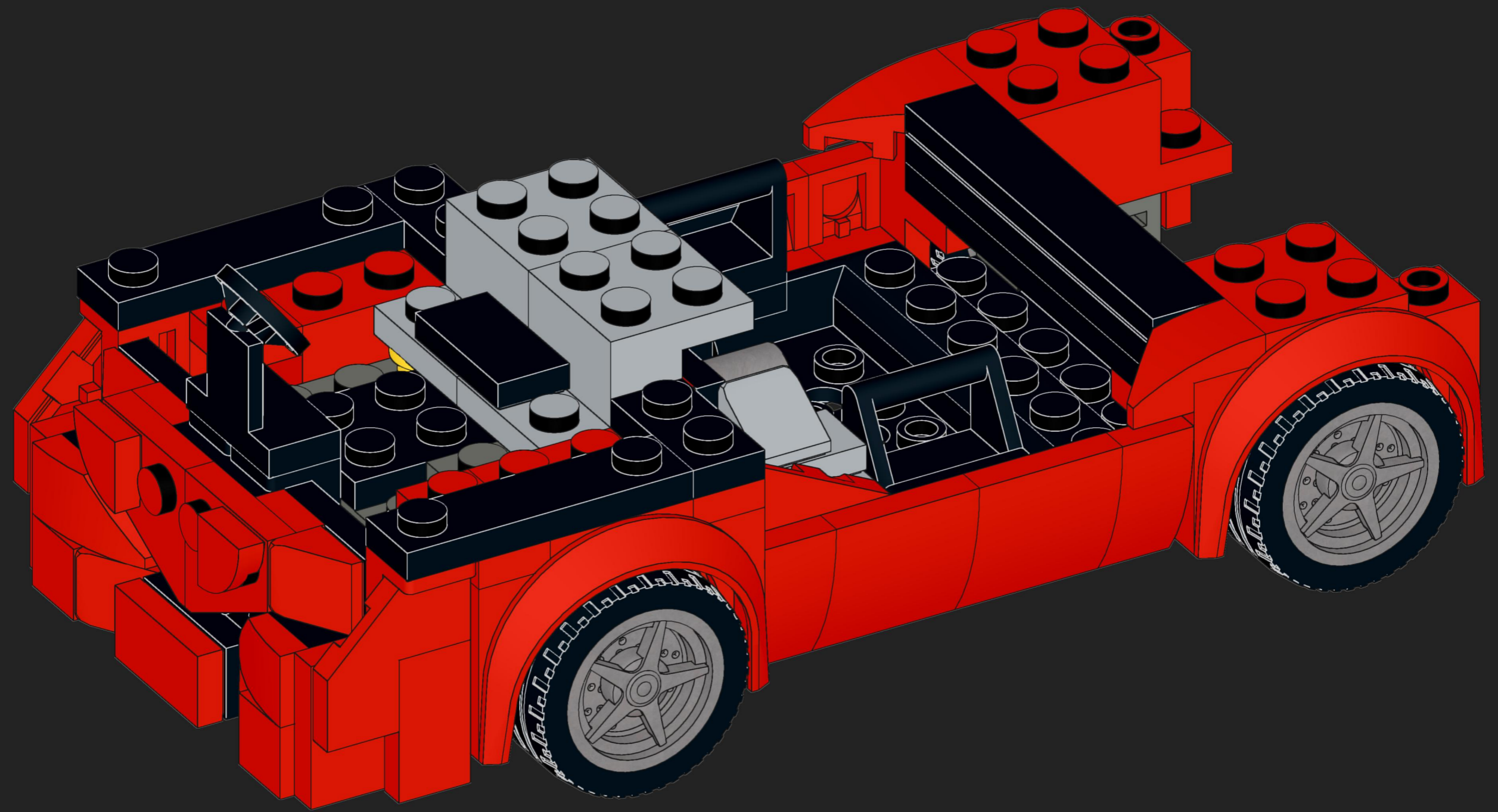
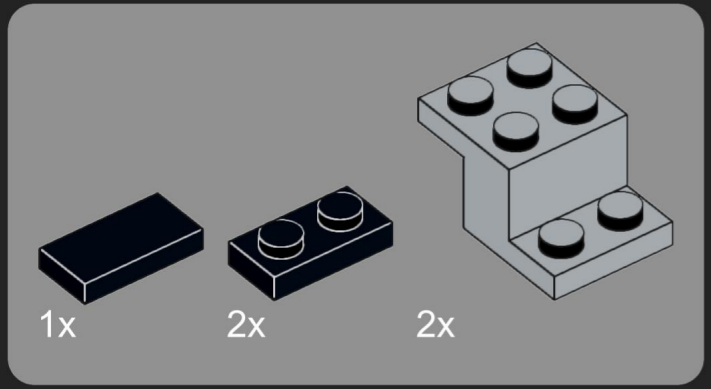
21

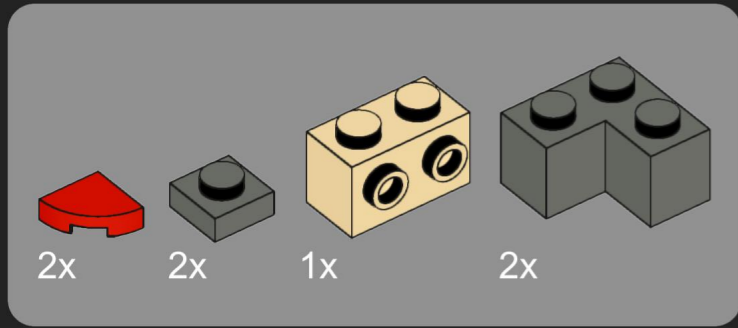


22



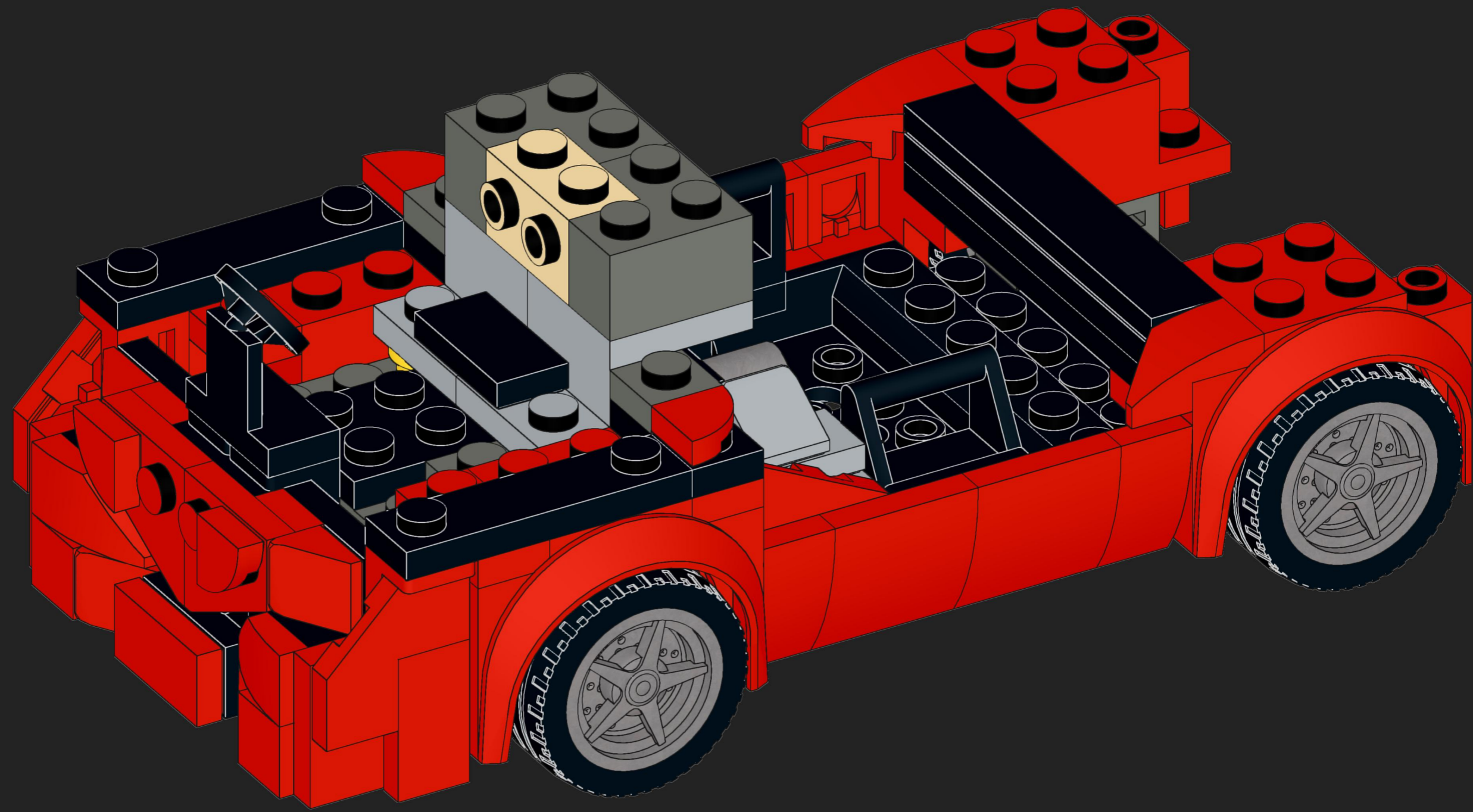


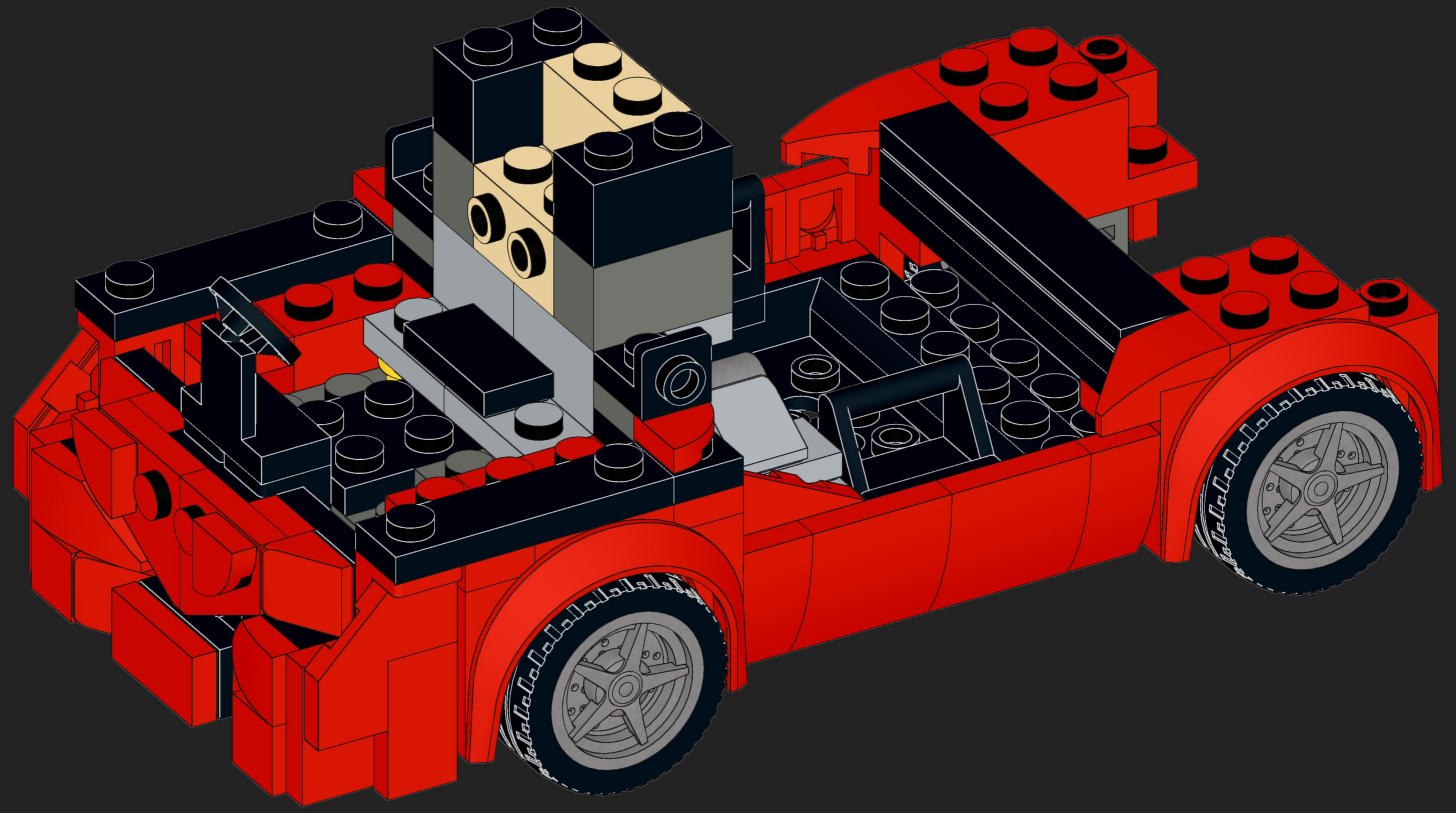
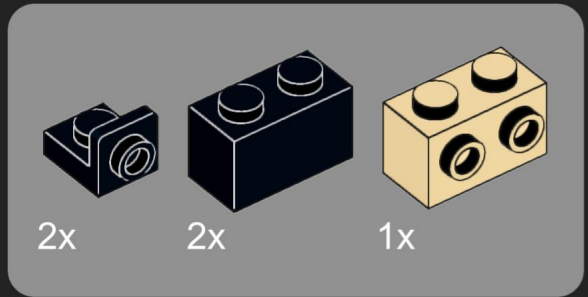


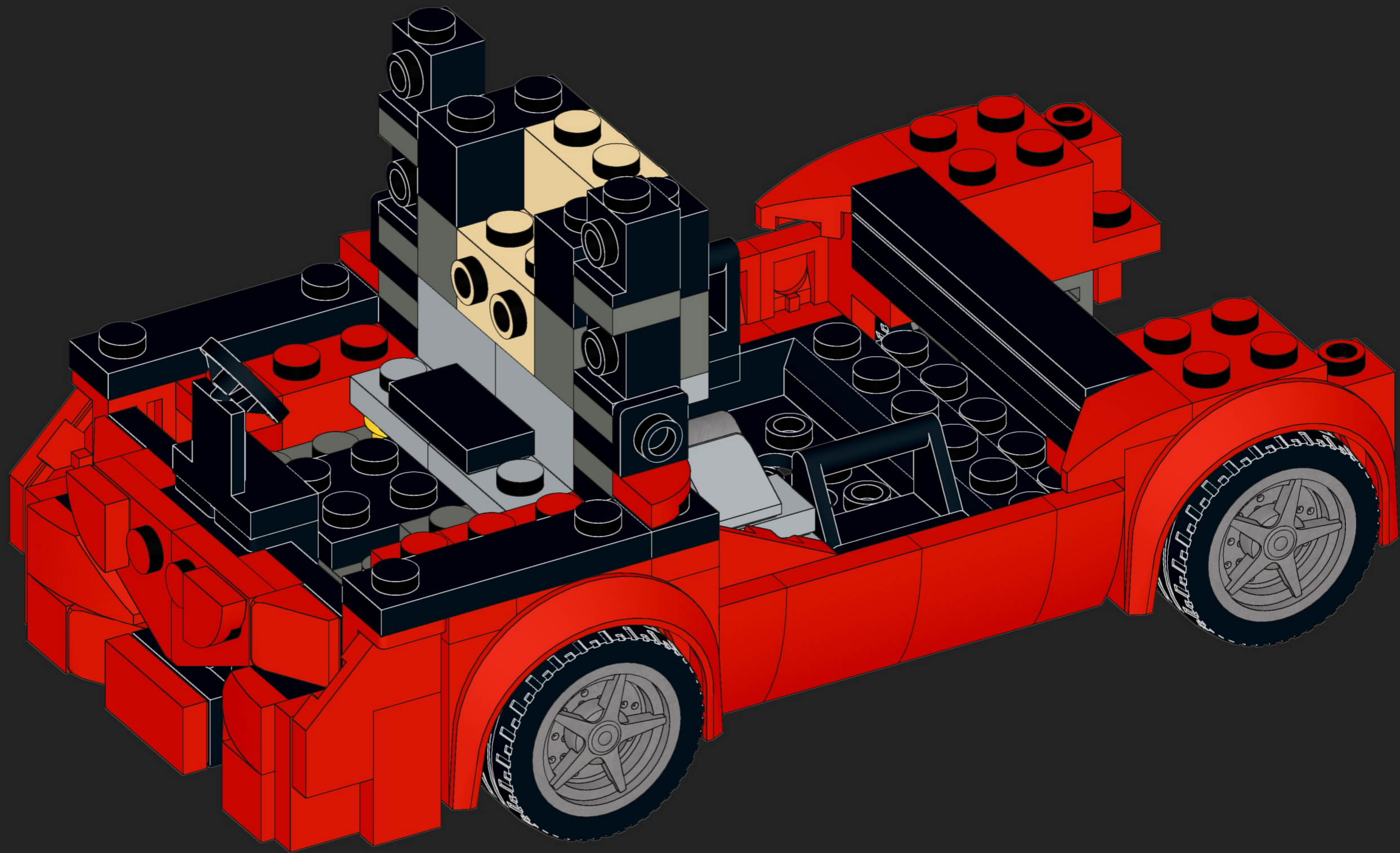
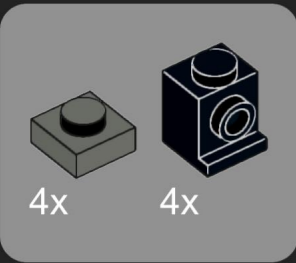


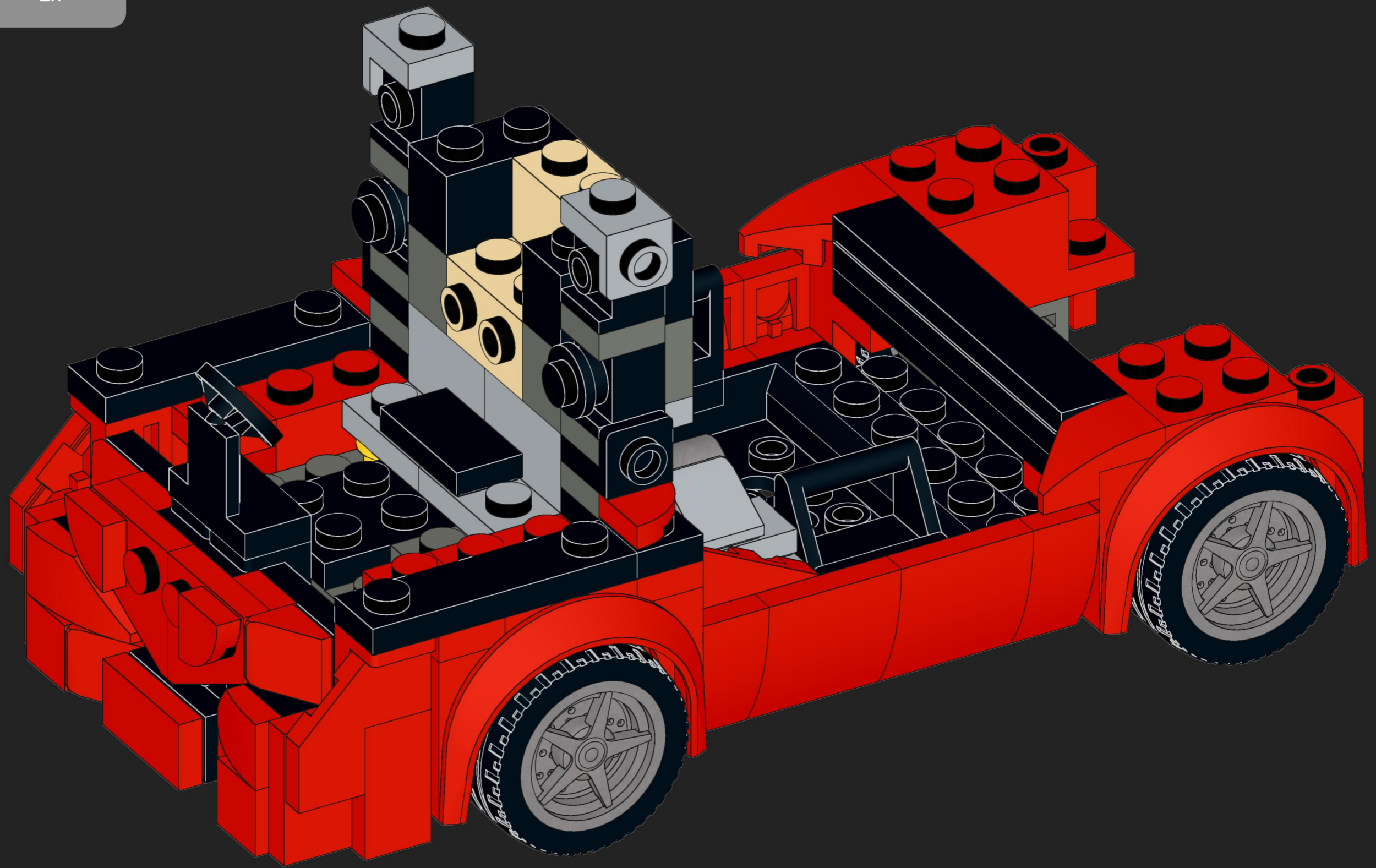
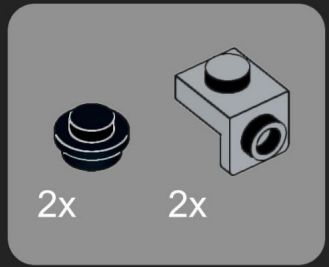
2x 2x 1x 2x

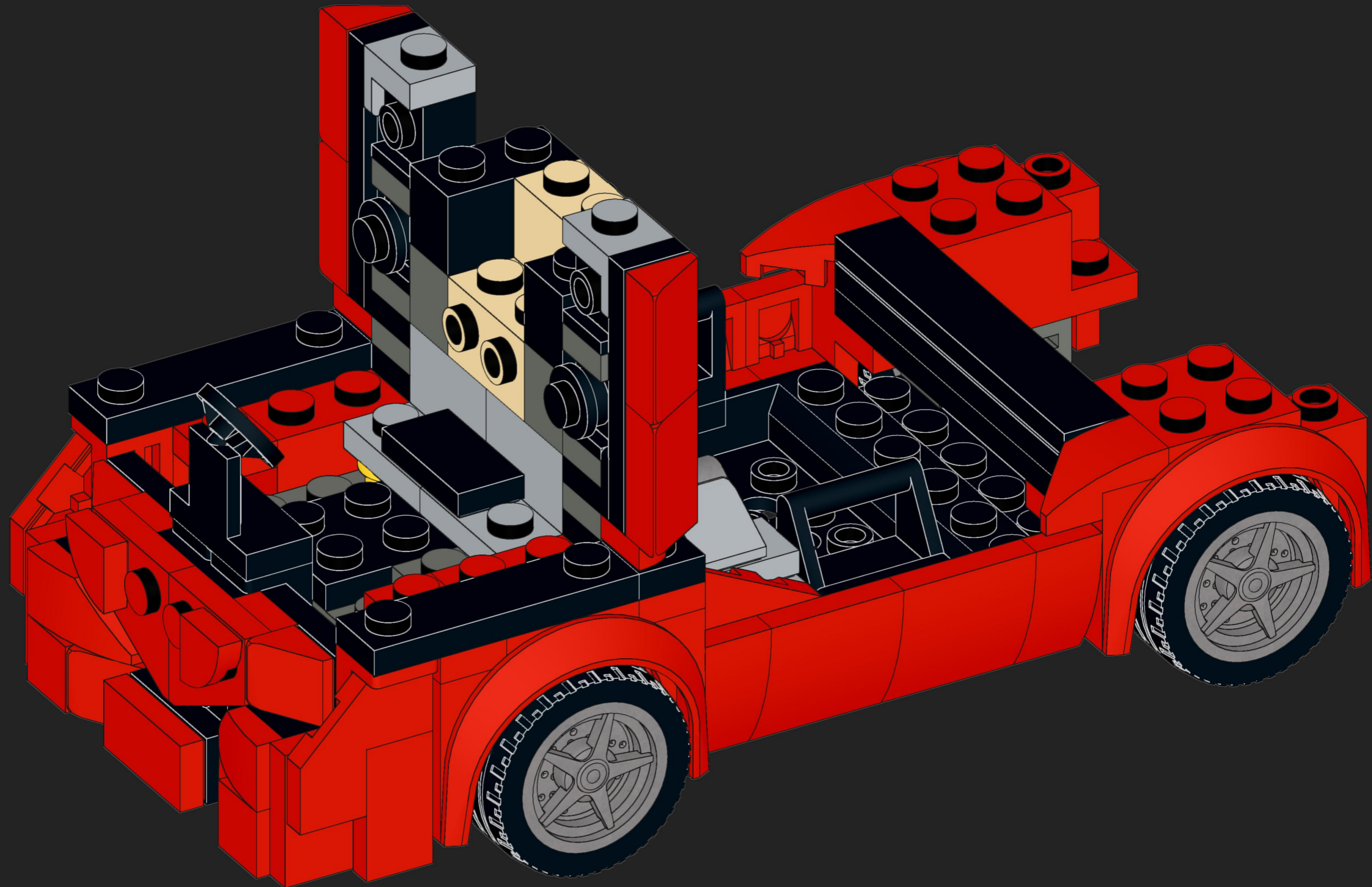
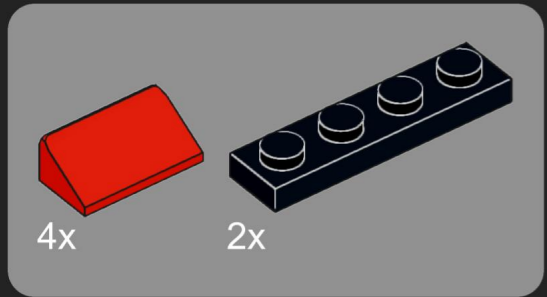
This block contains a parts list for step 25. It features four items: a red 1/2 Technic triangle, a grey 1/2 Technic square, a yellow 1x2 Technic brick with two holes, and a grey 1x2 Technic L-shaped brick. Below each item is its quantity: 2x, 2x, 1x, and 2x respectively.



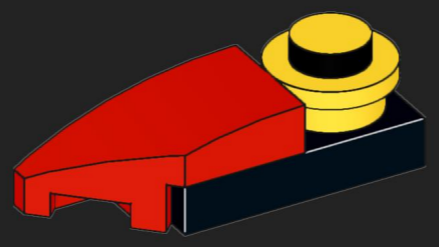
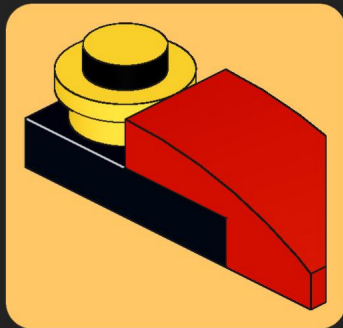
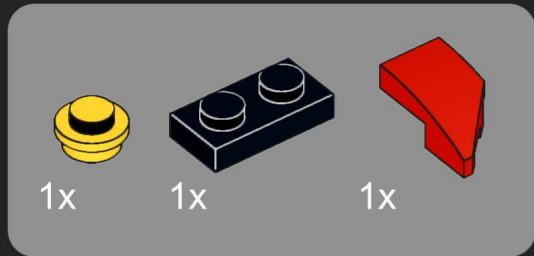




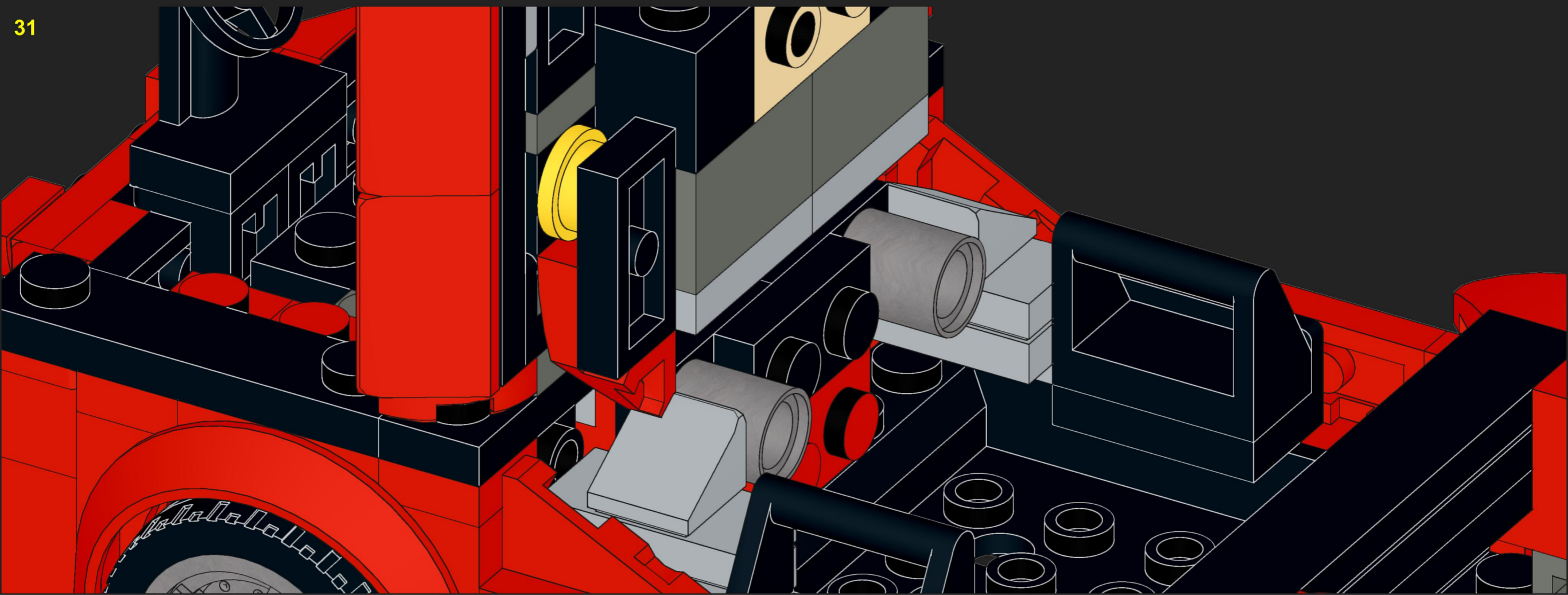




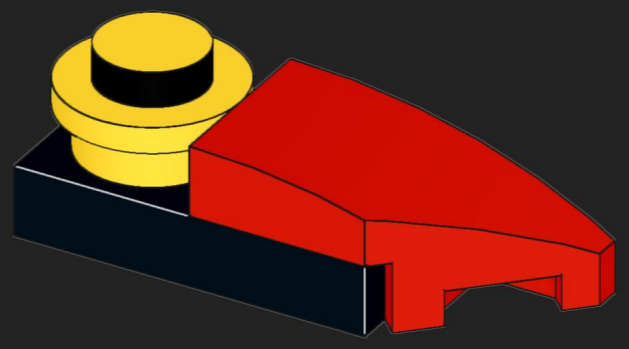
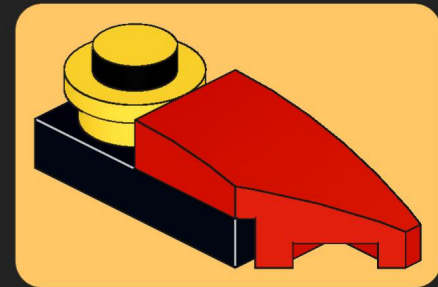
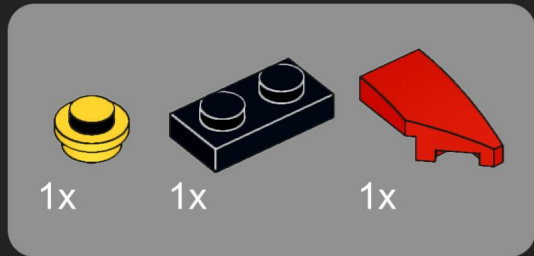
30



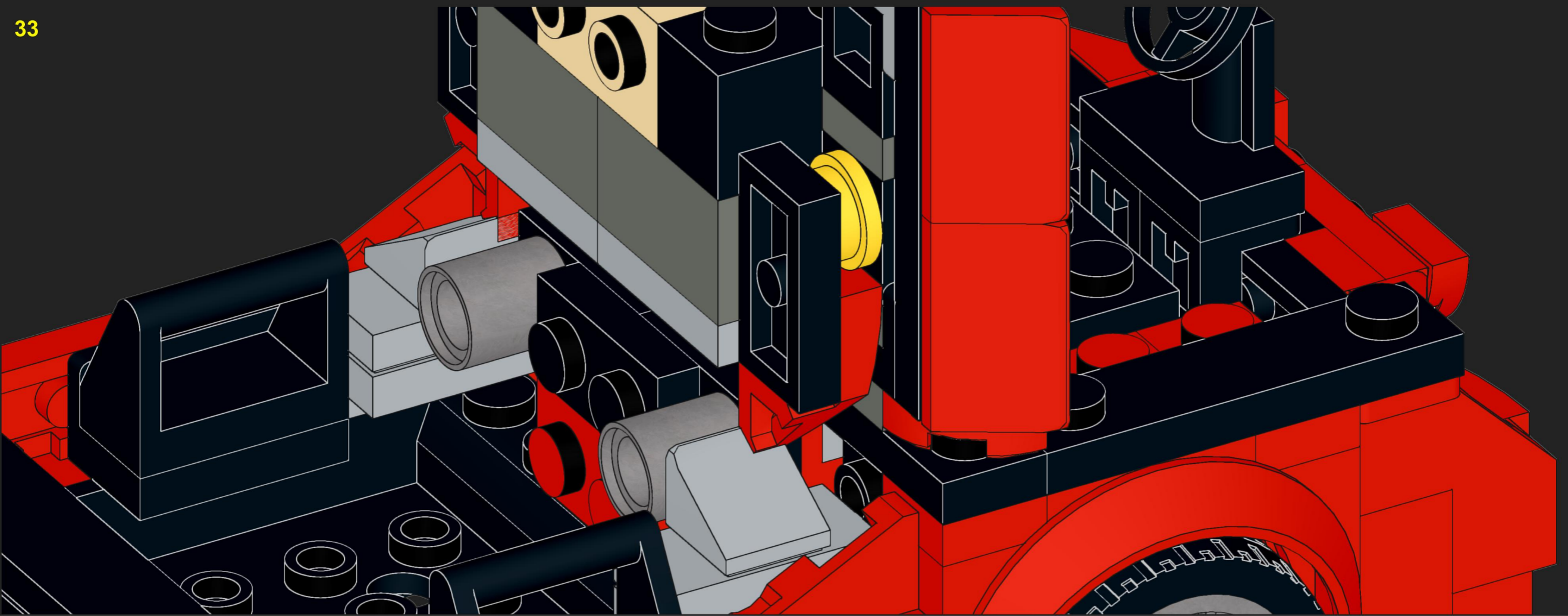
31



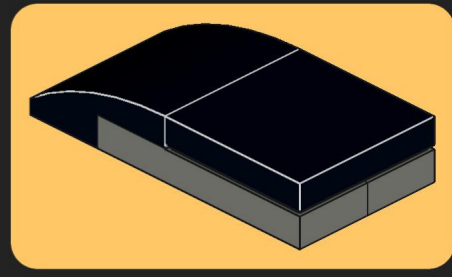
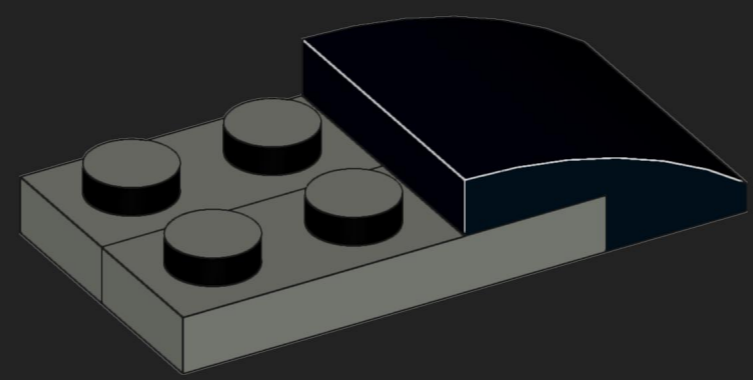
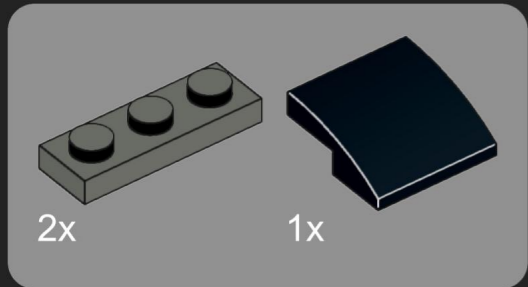
32



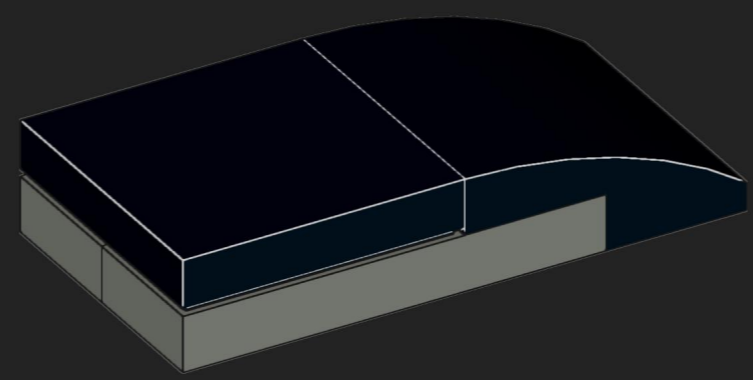
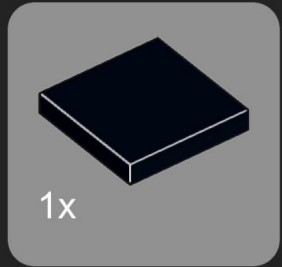
33



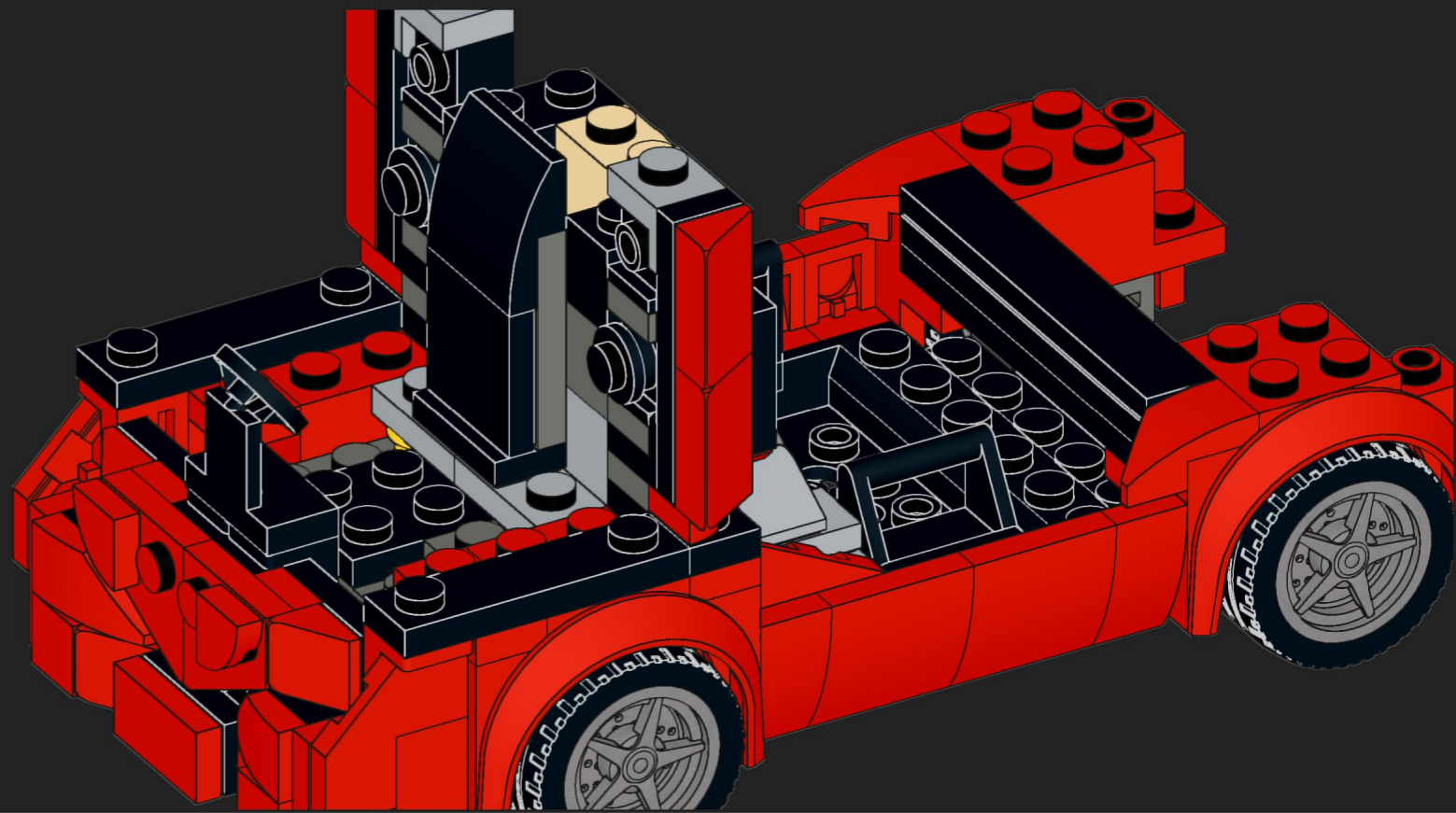
34



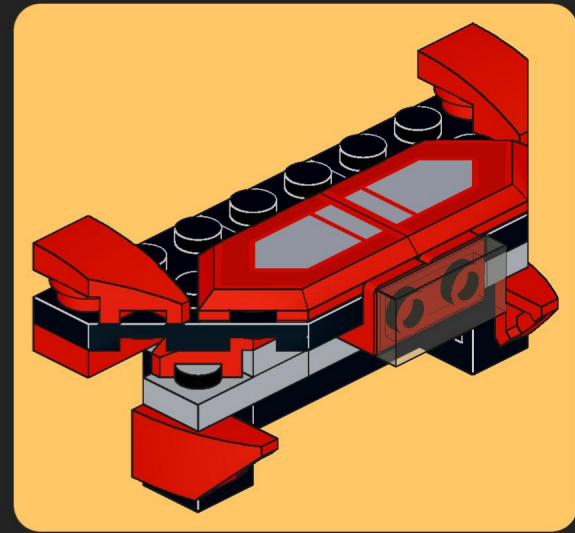
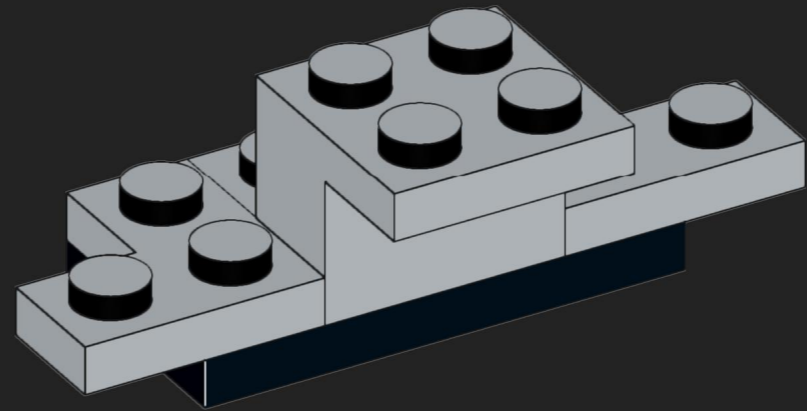
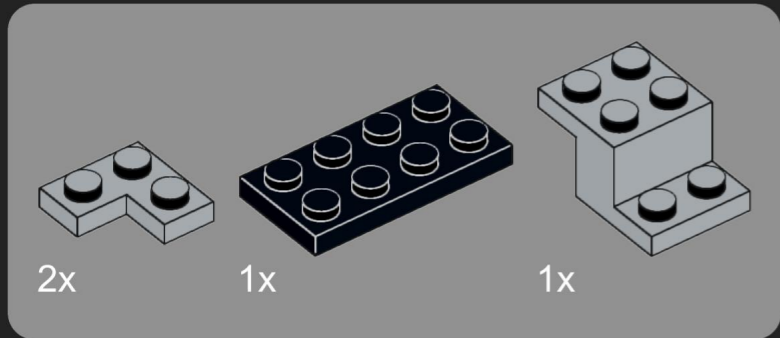
35



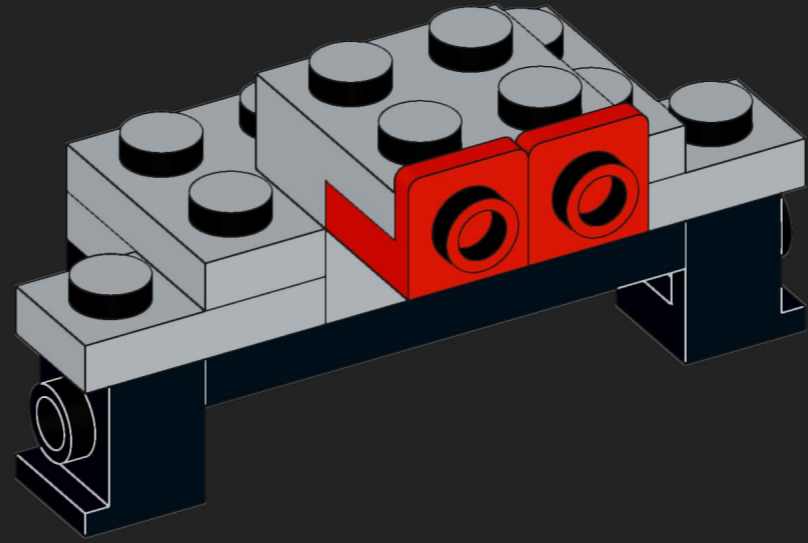
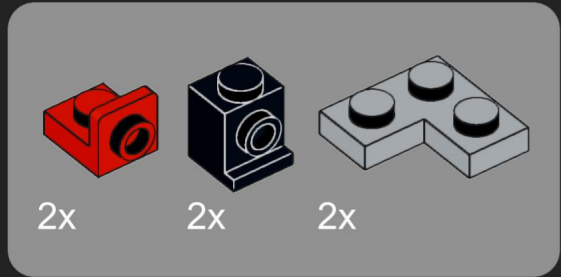
36



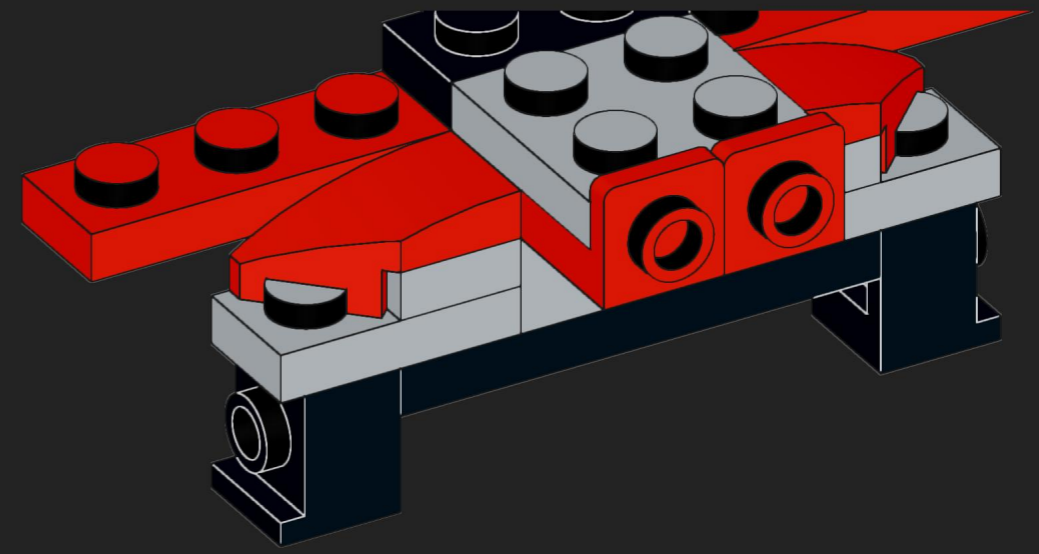
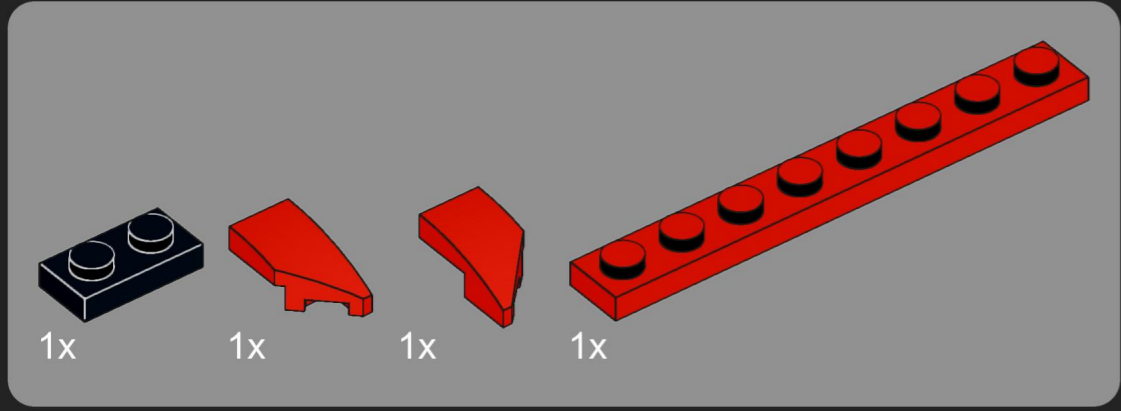
37



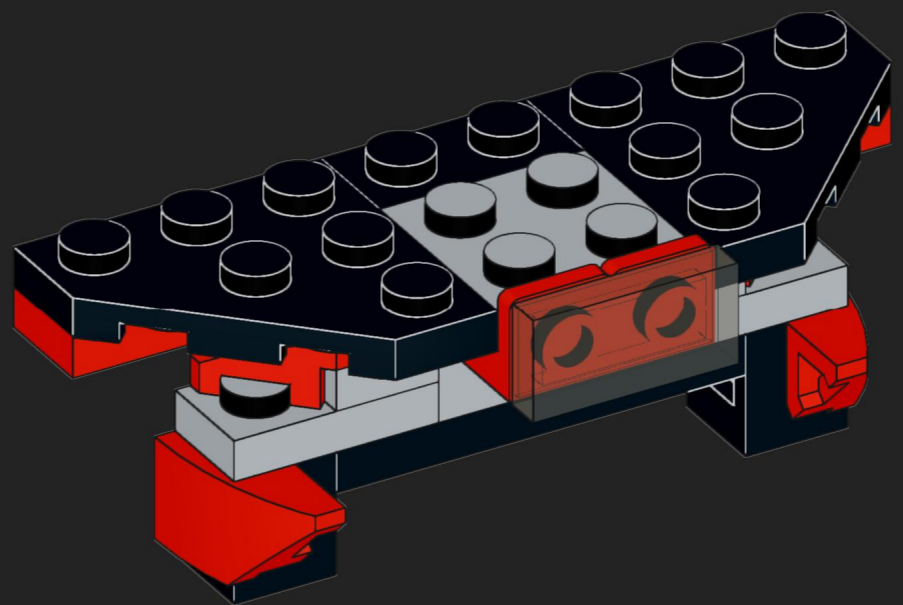
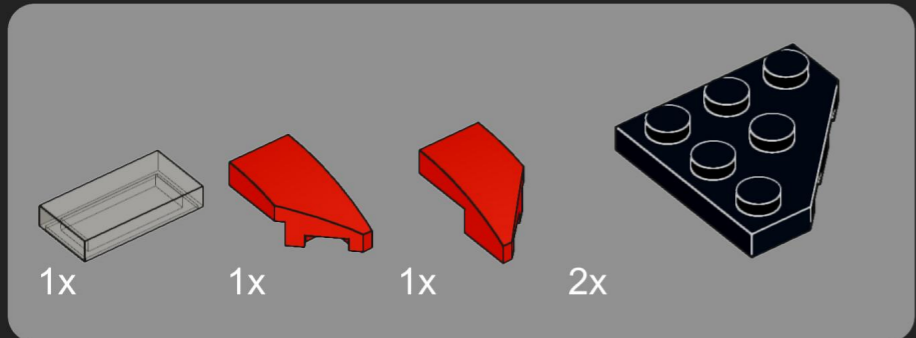
38



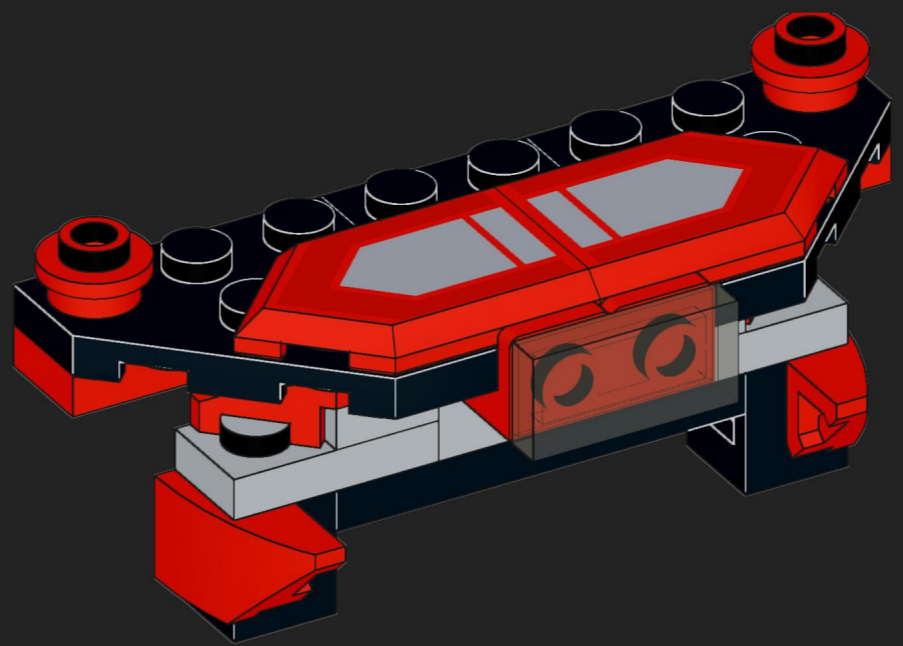
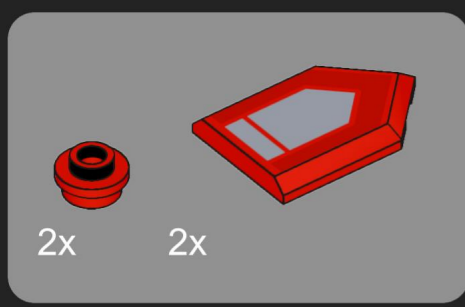
39



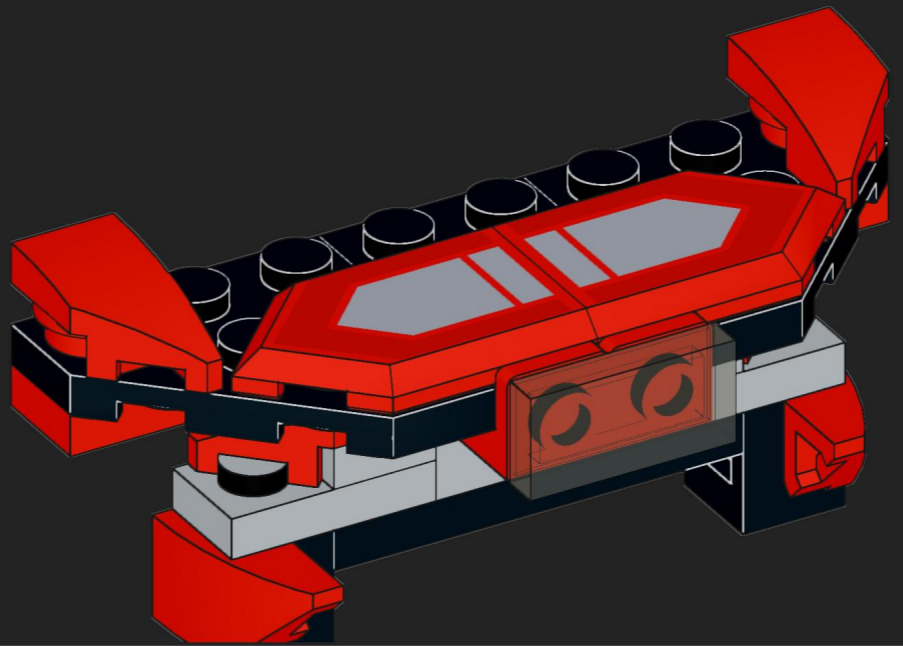
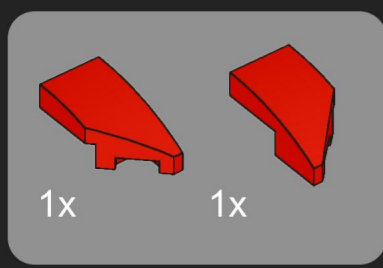
40

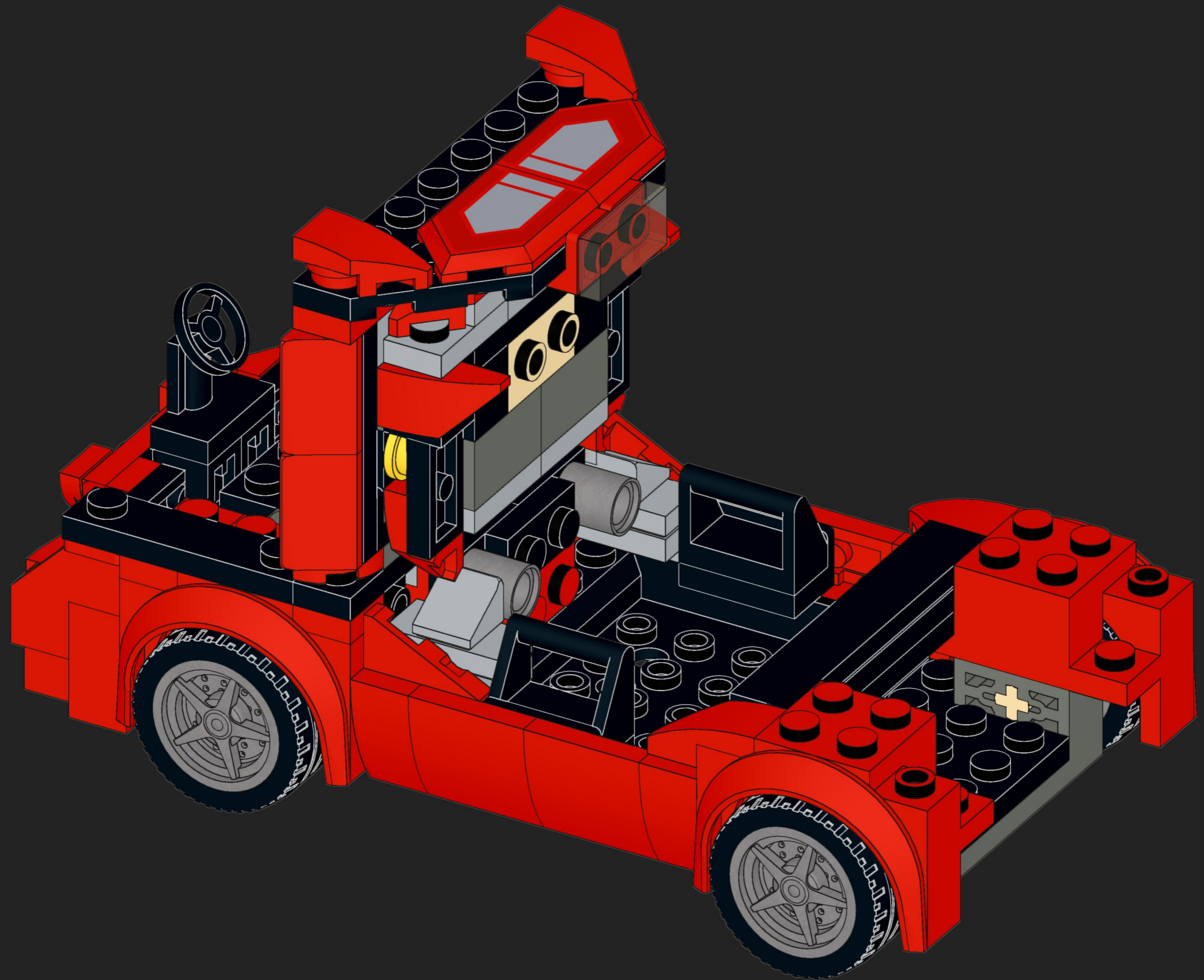


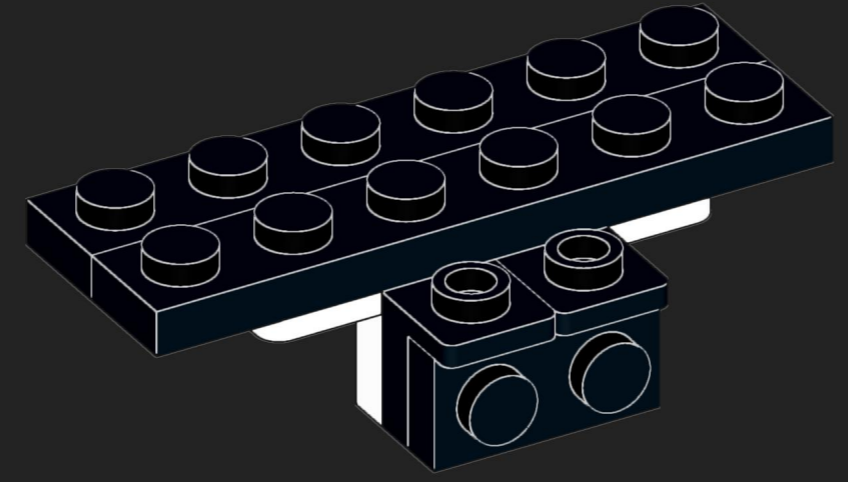
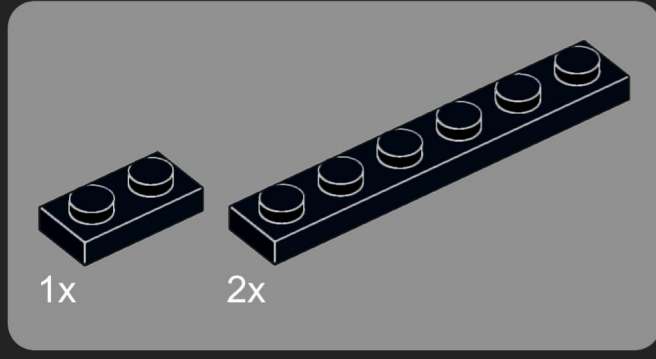
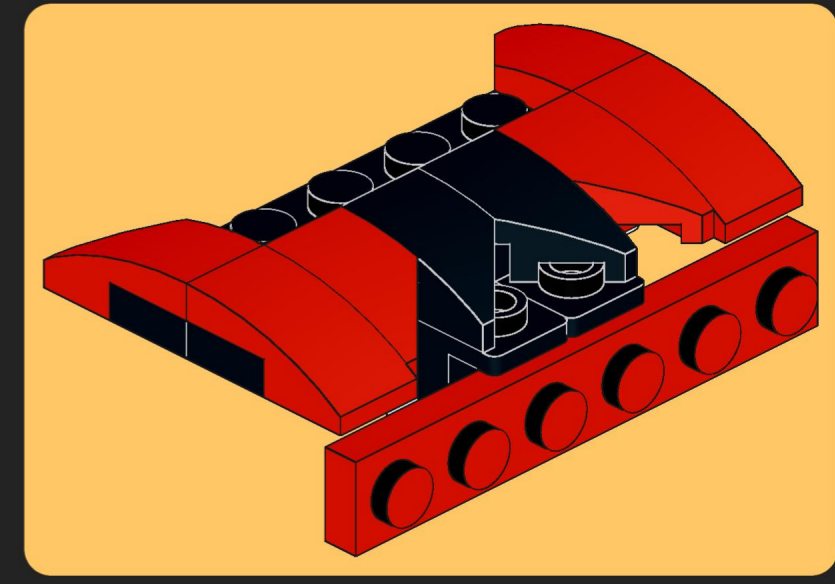
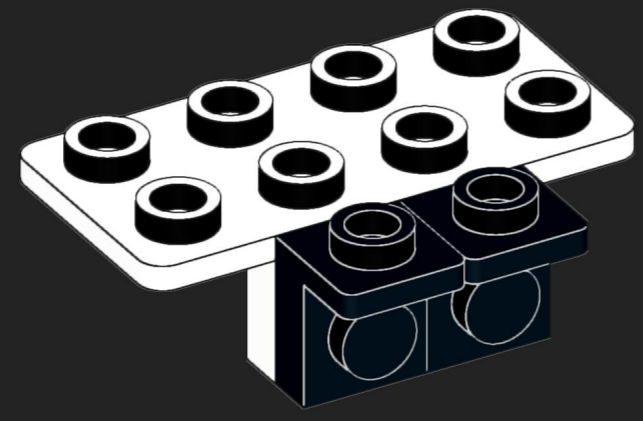
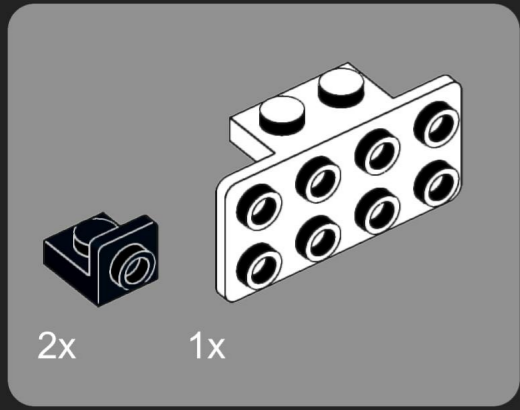
41



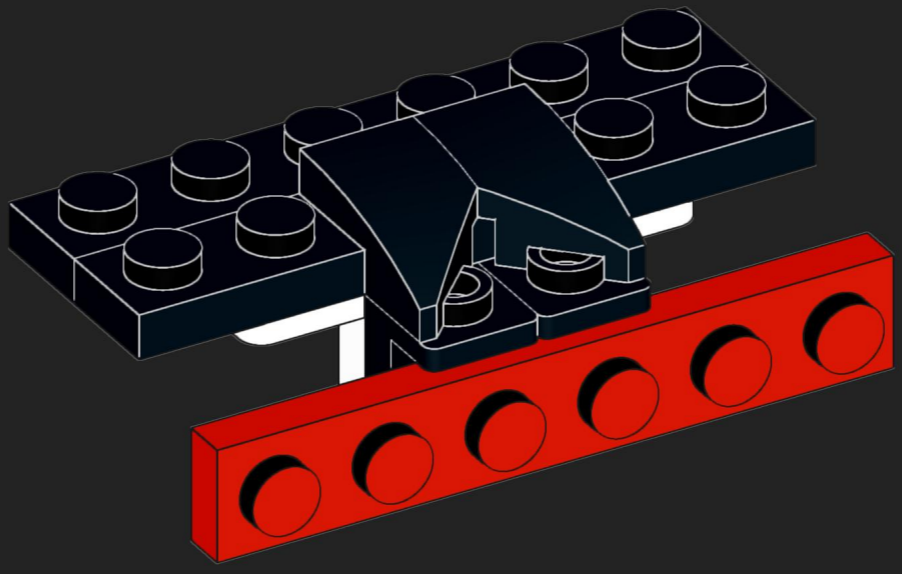
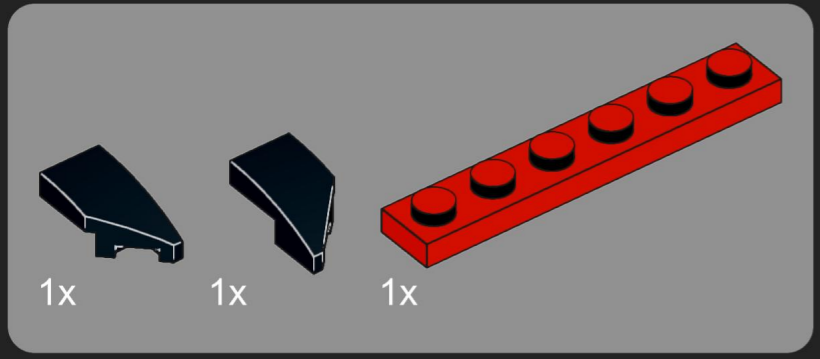
42



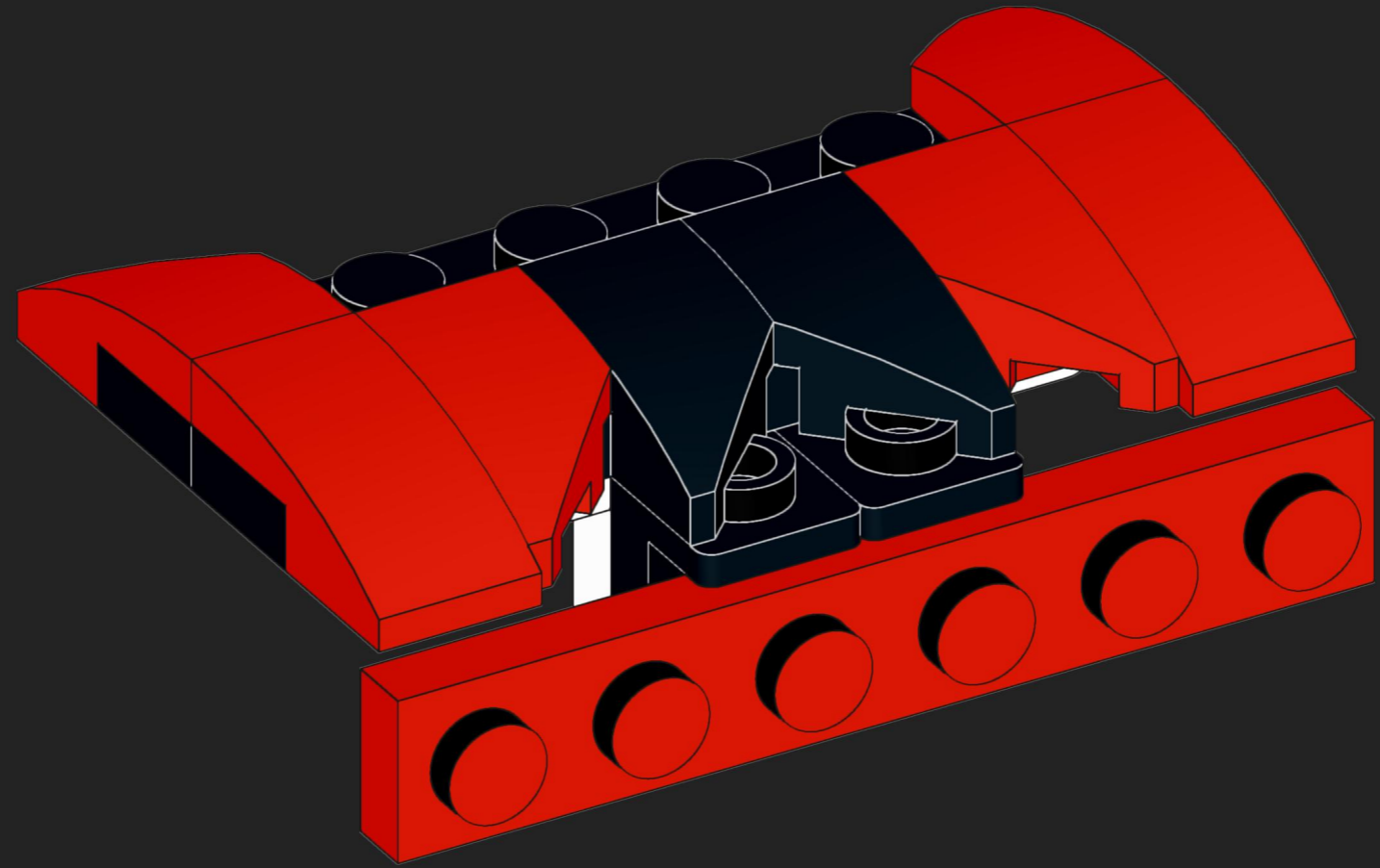
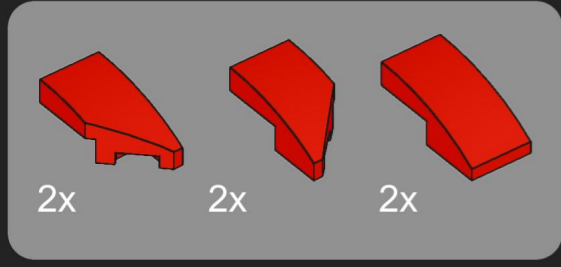


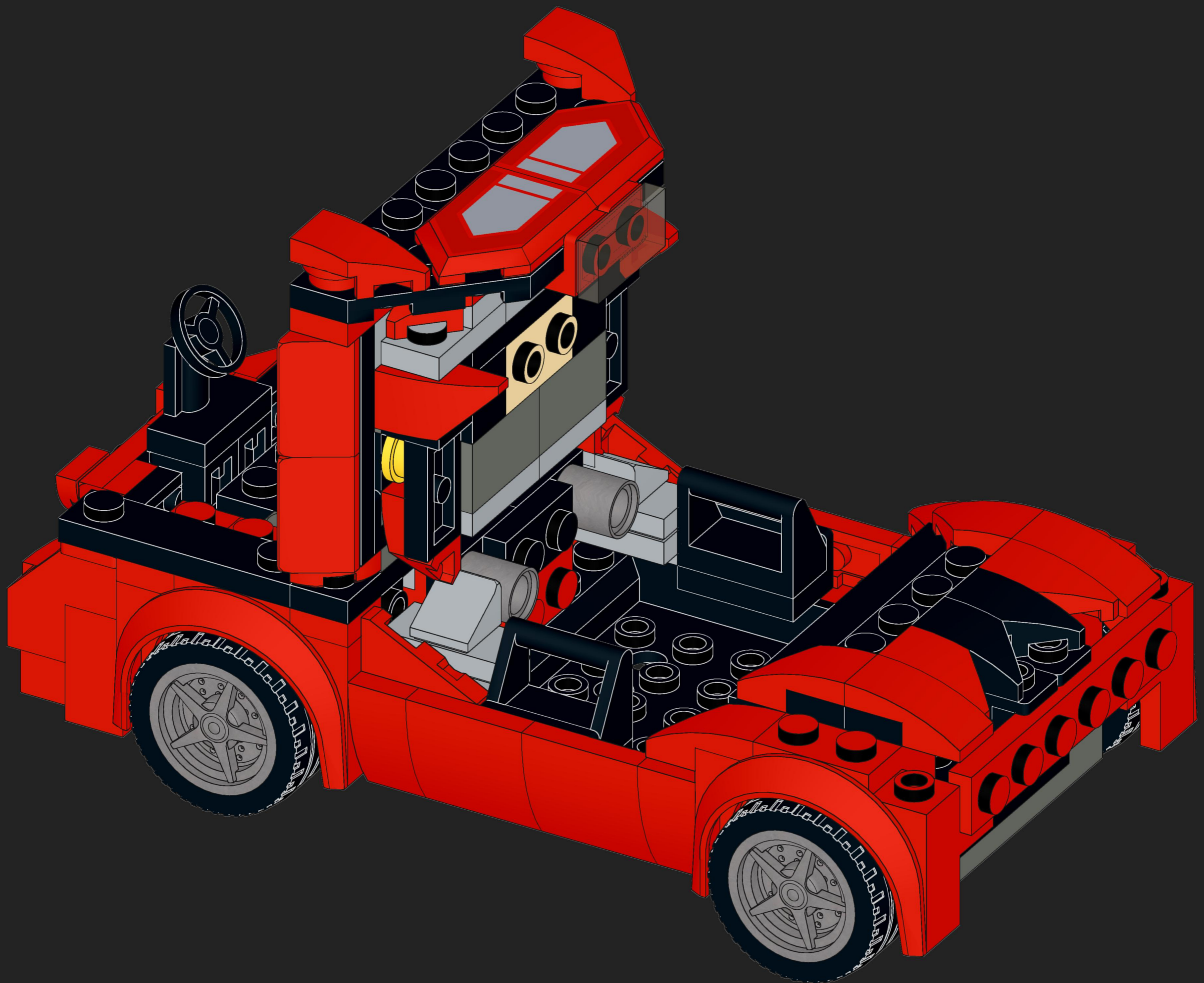


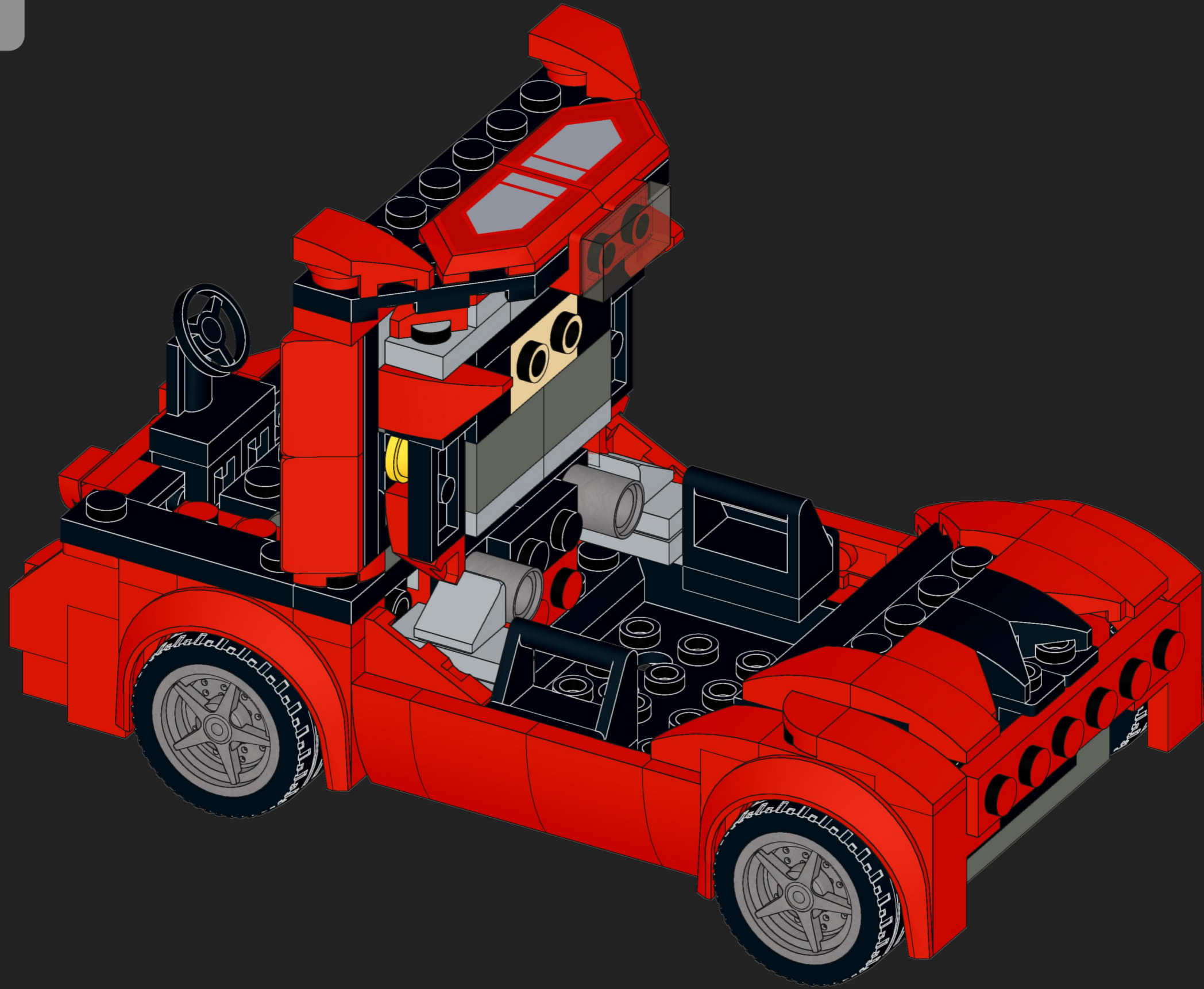
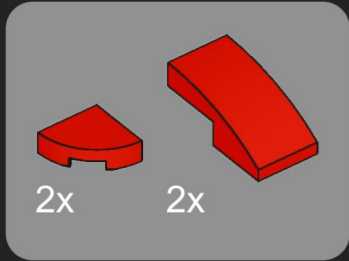
46

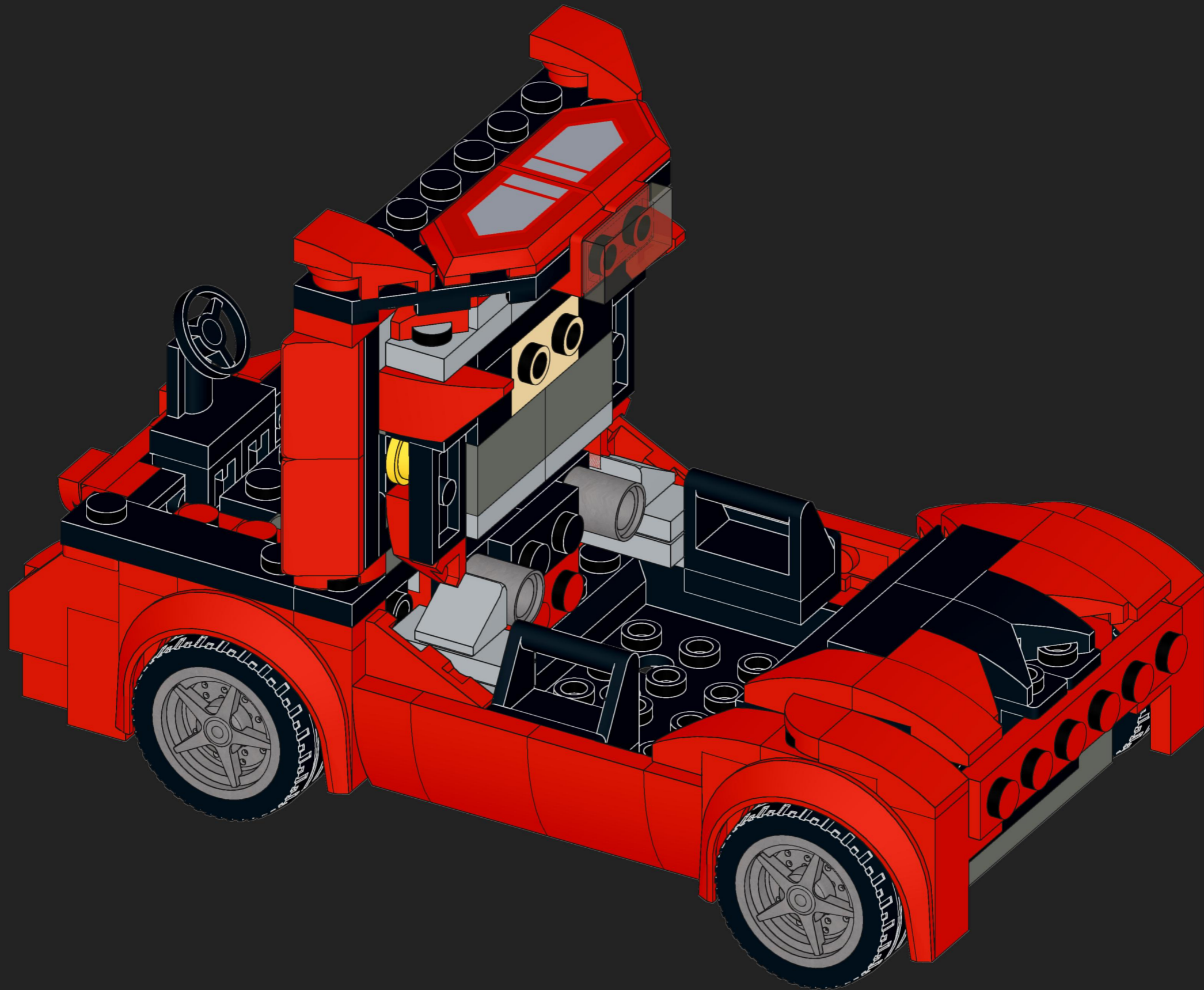


47

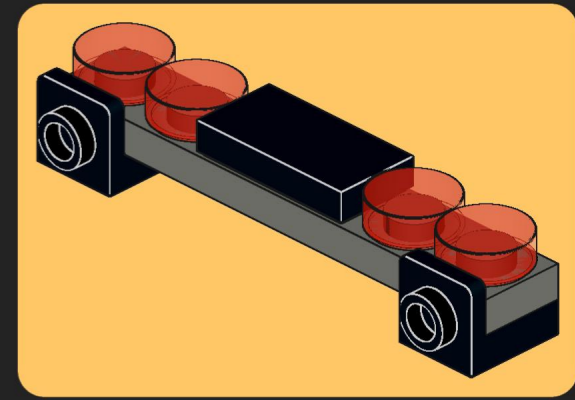
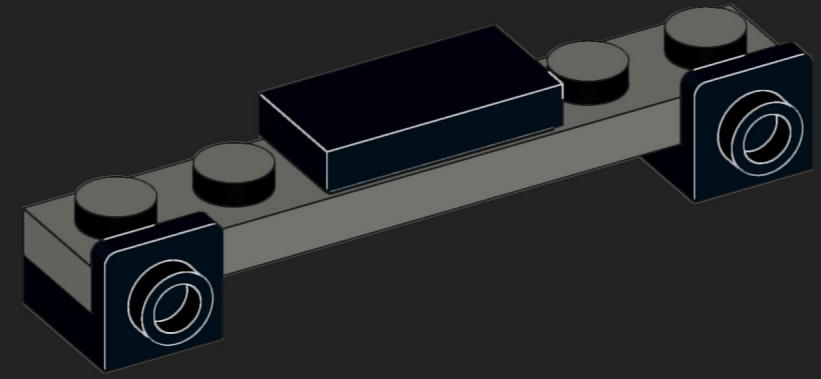
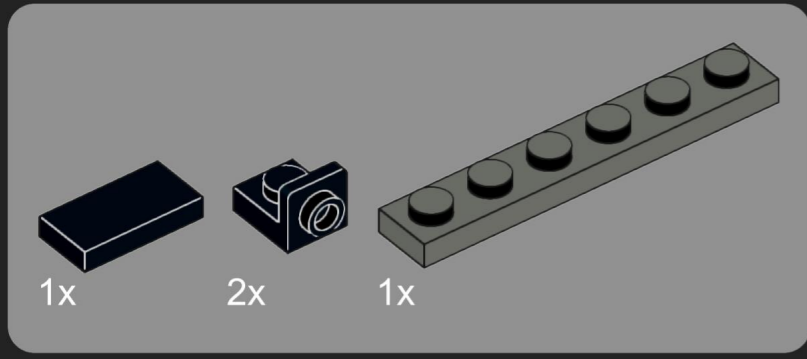




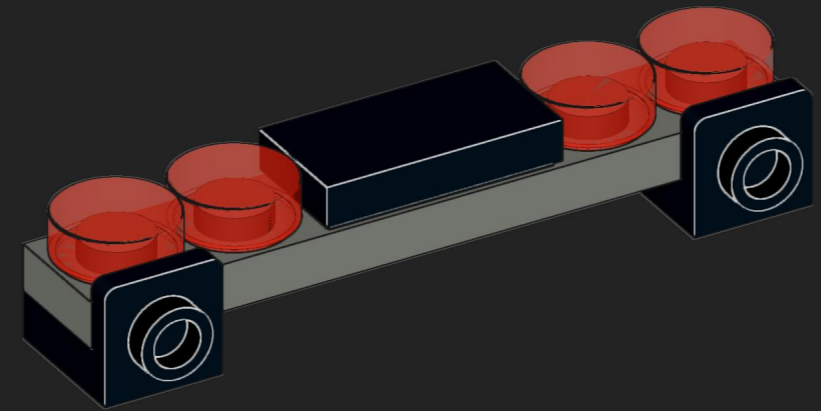




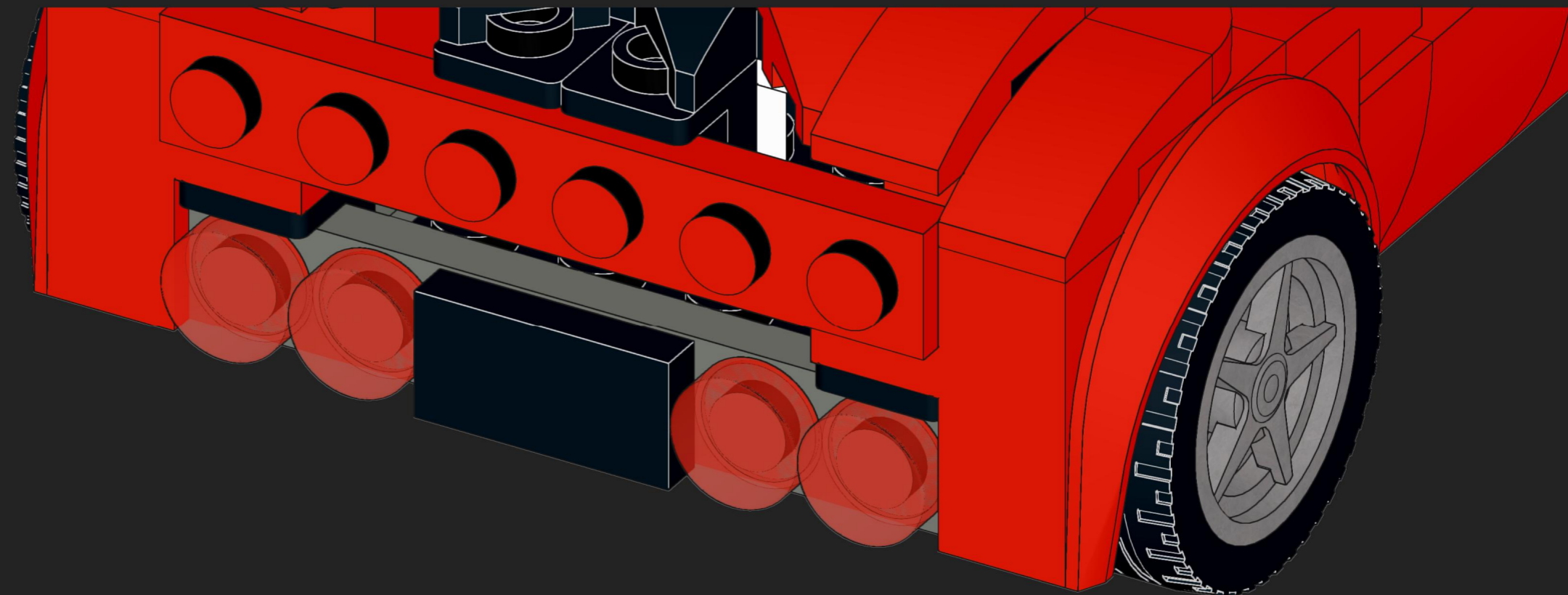
51



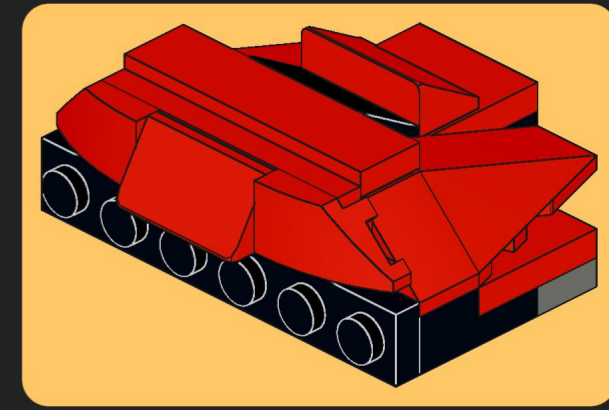
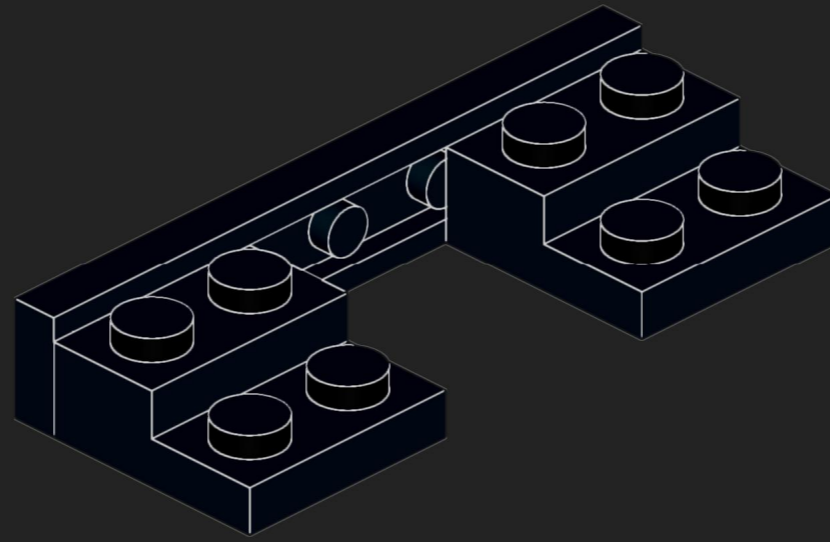
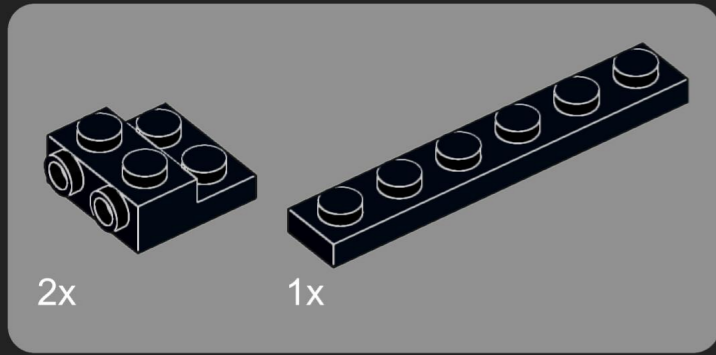
52



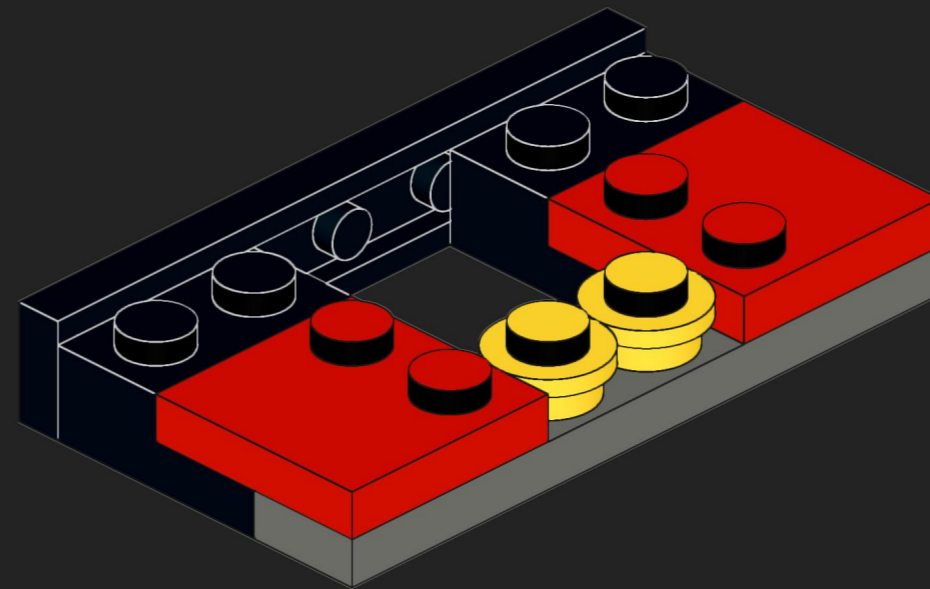
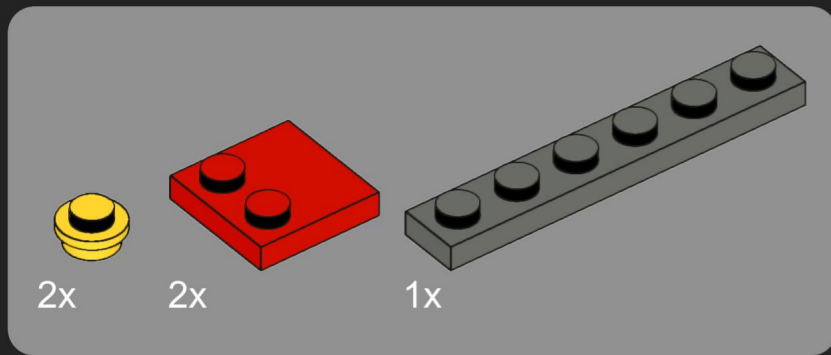
53



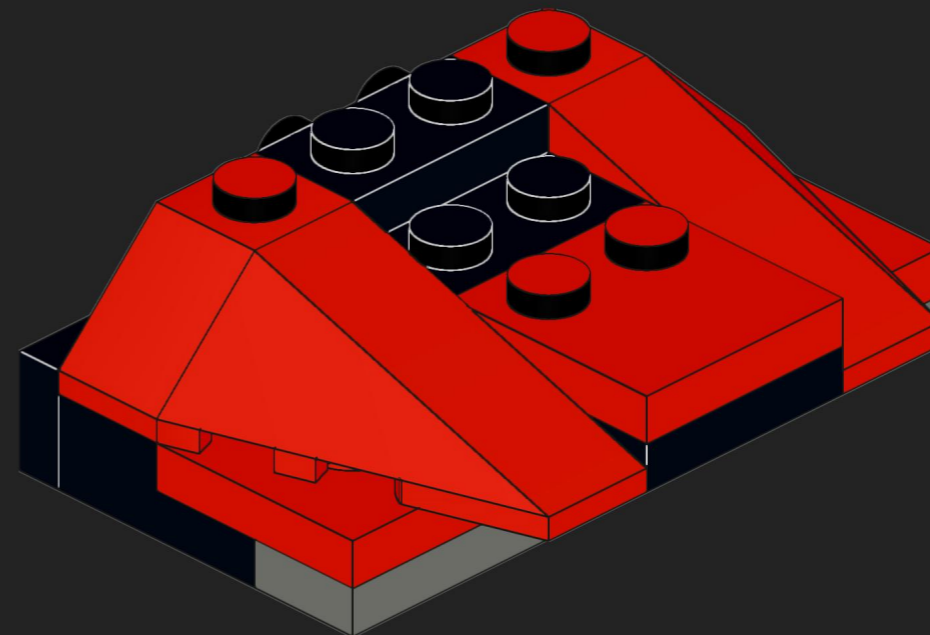
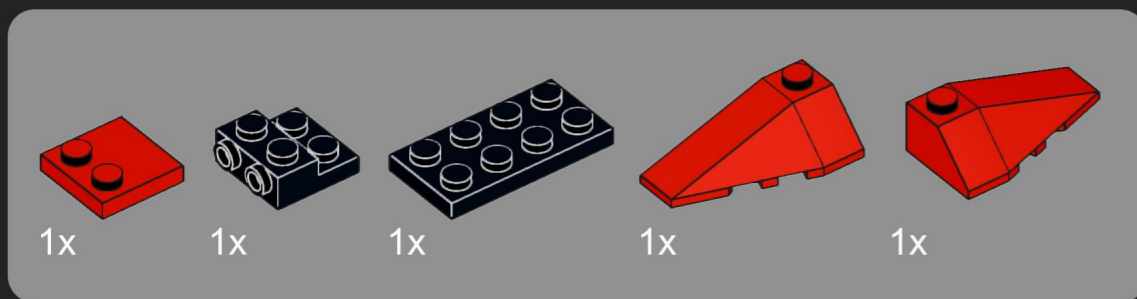
54



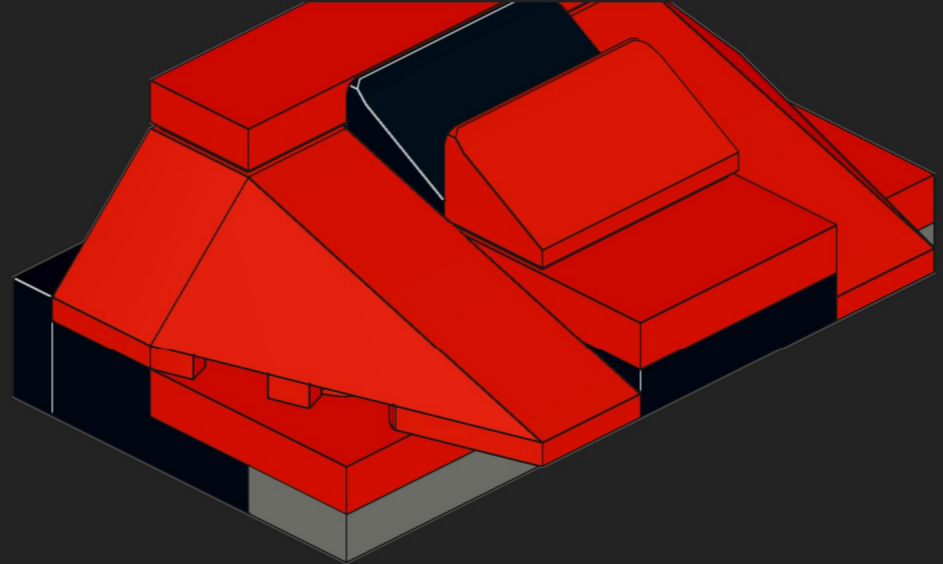
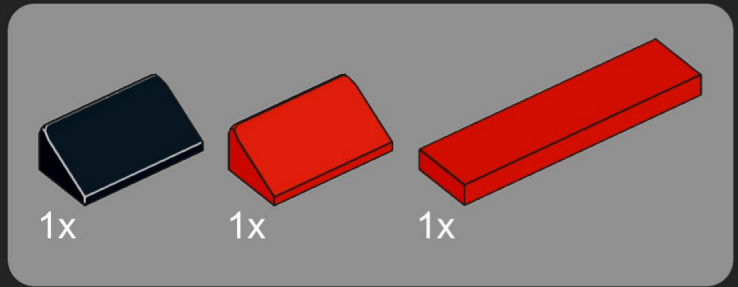
55



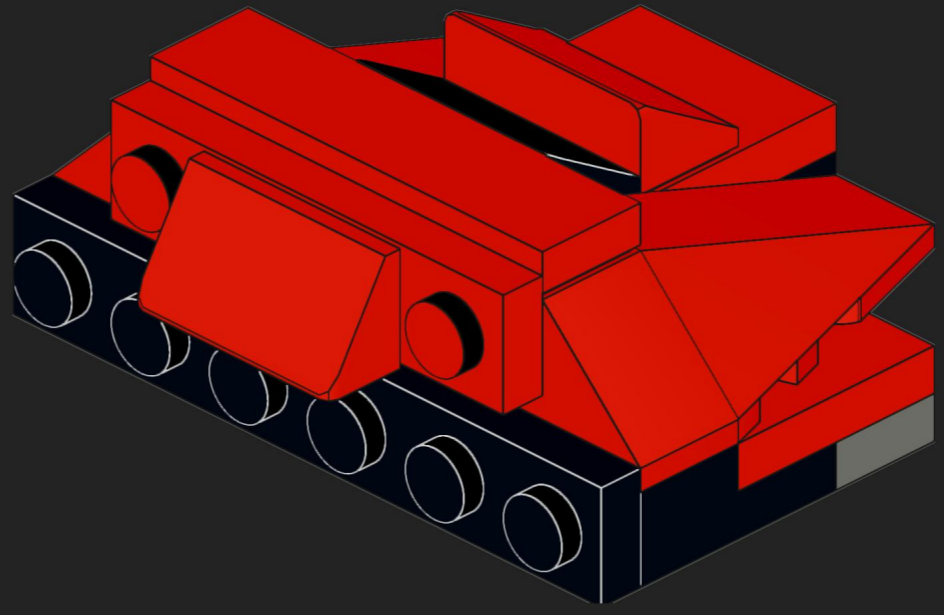
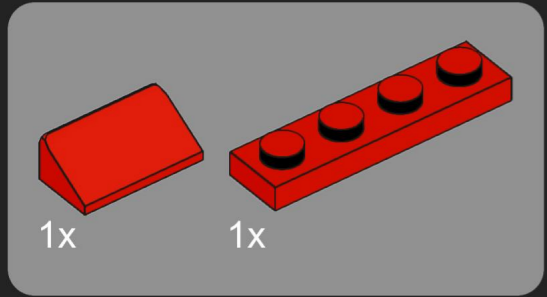
56



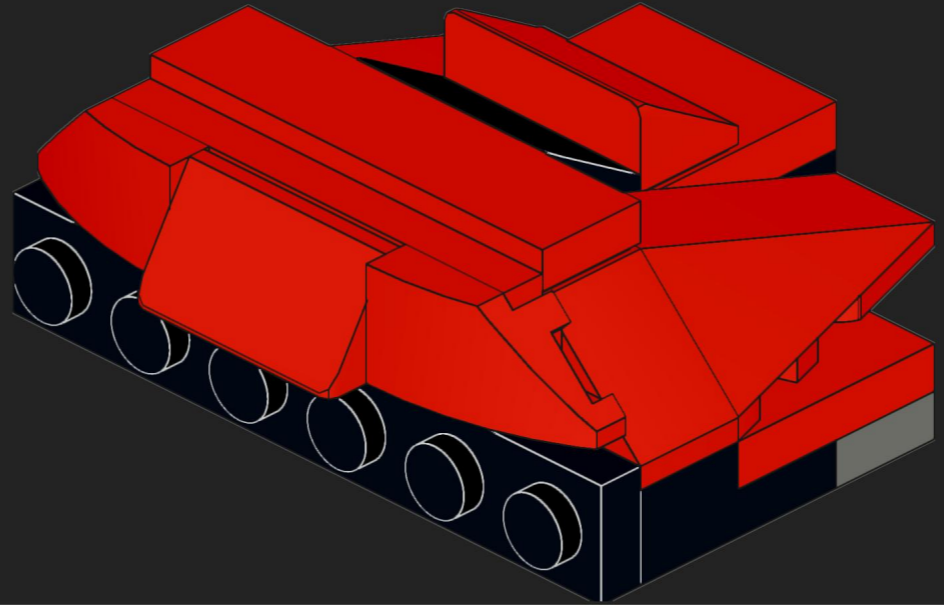
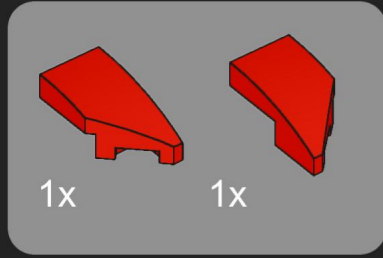
57

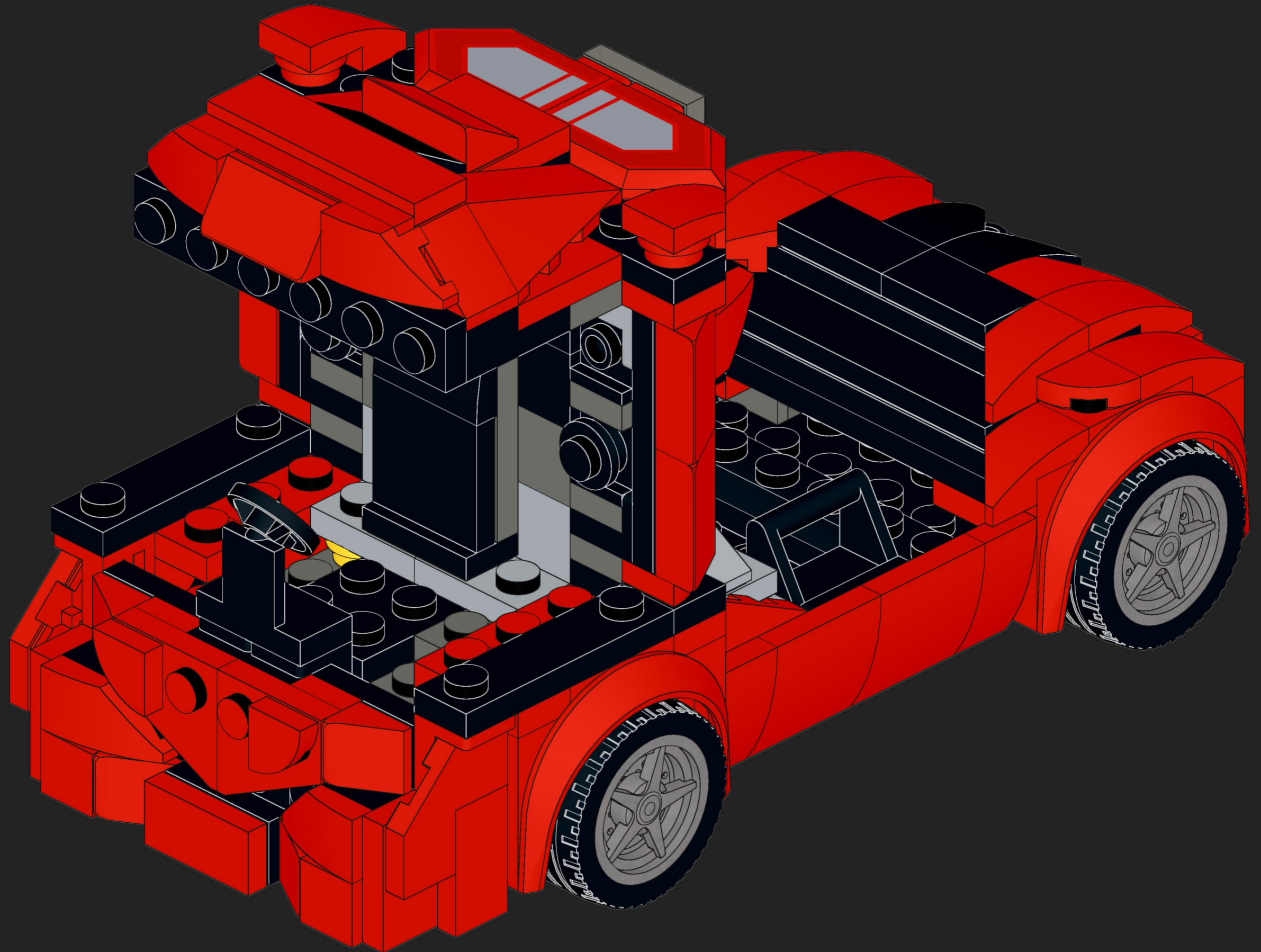


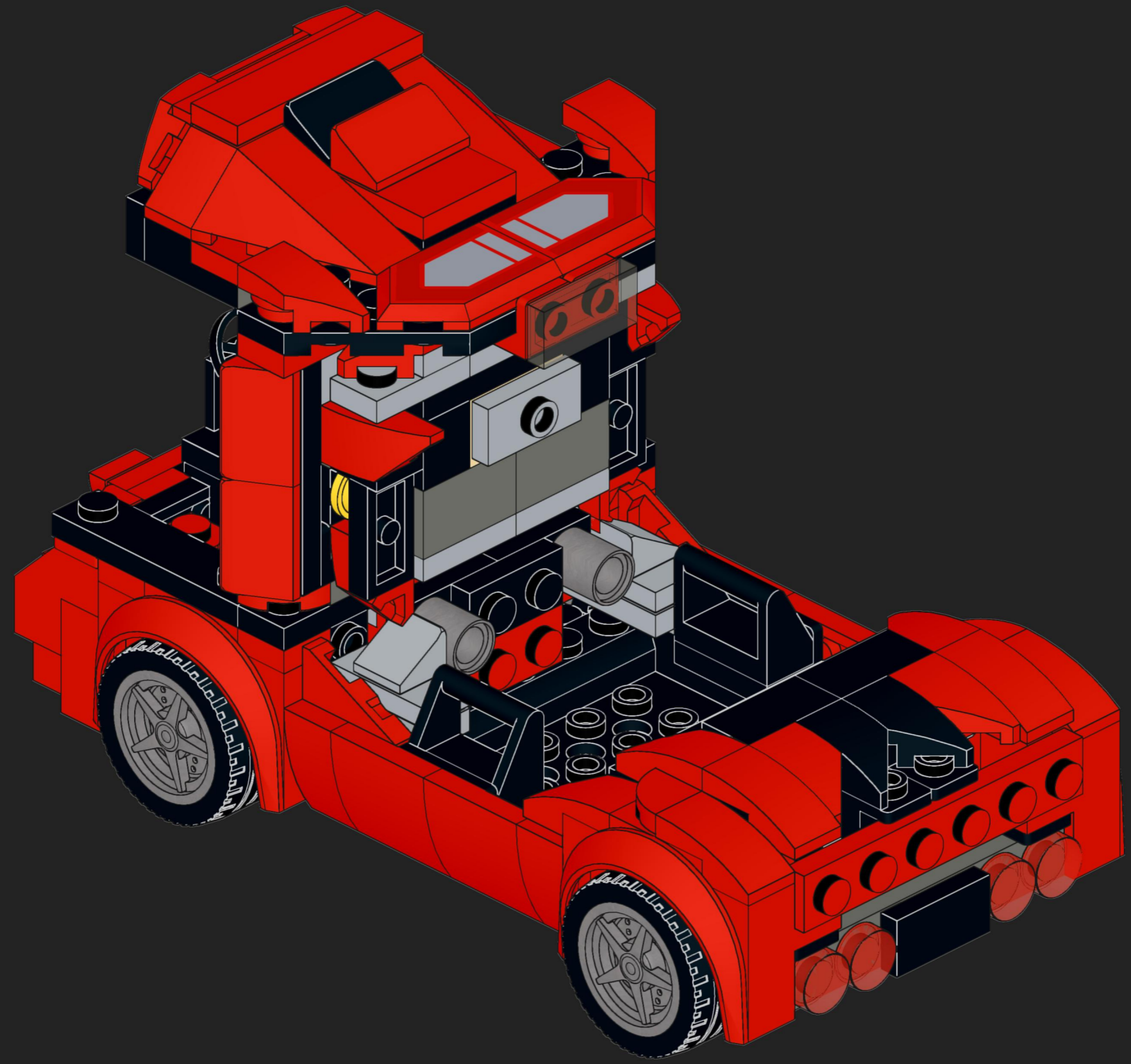
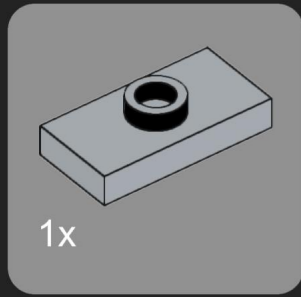
58



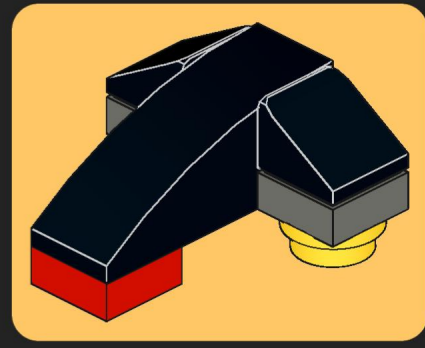
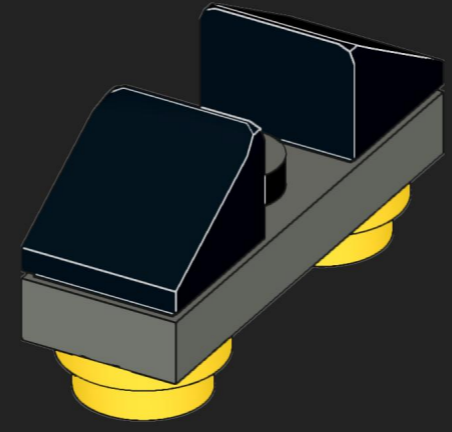
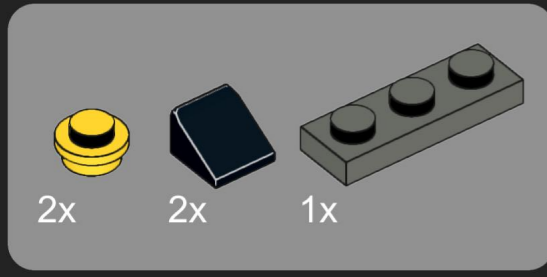
59



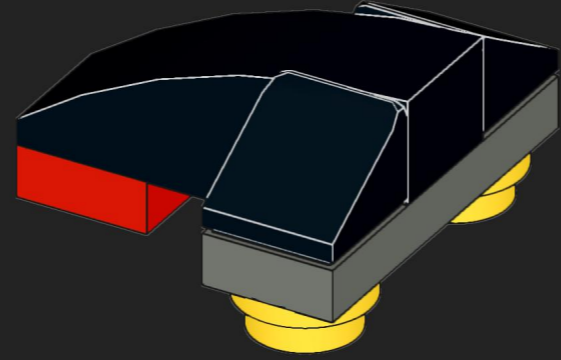
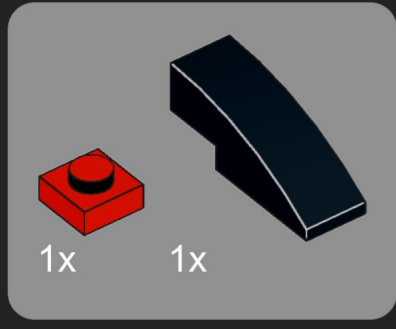




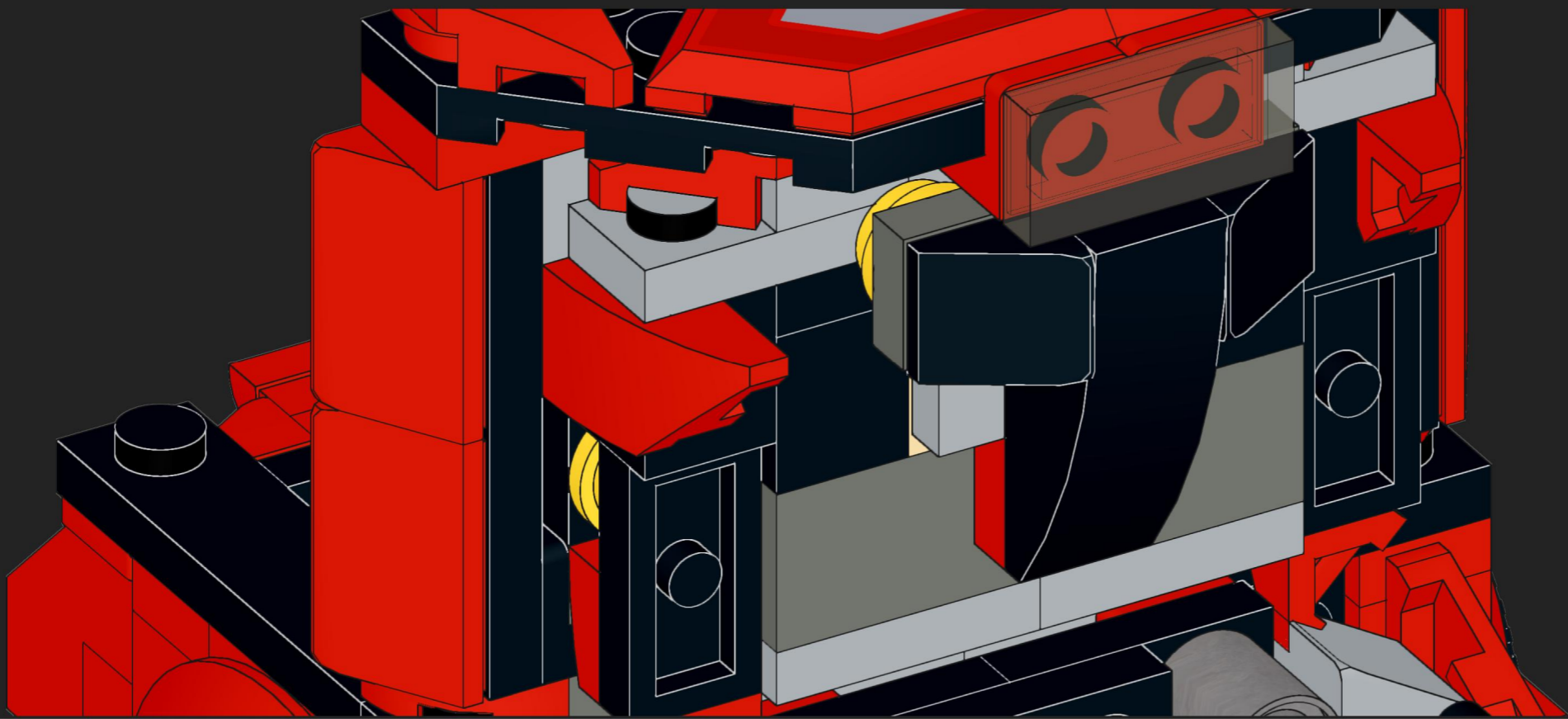
62



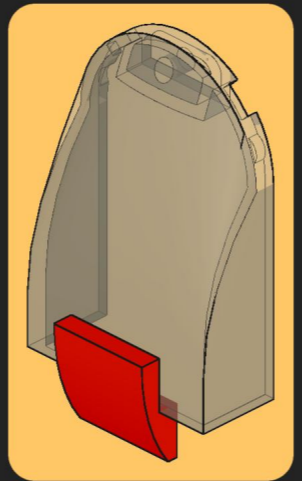
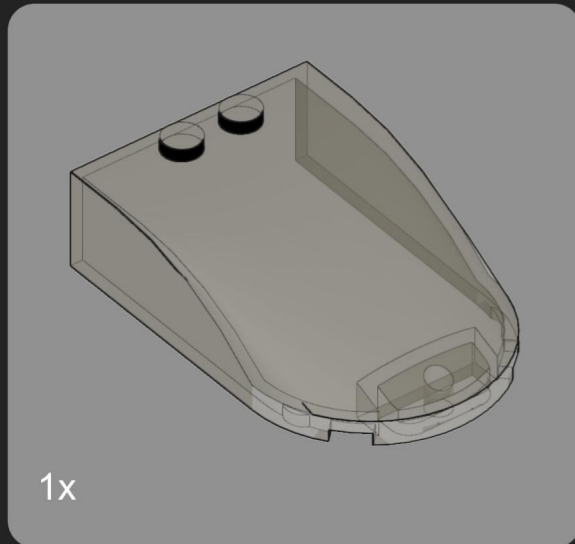
63



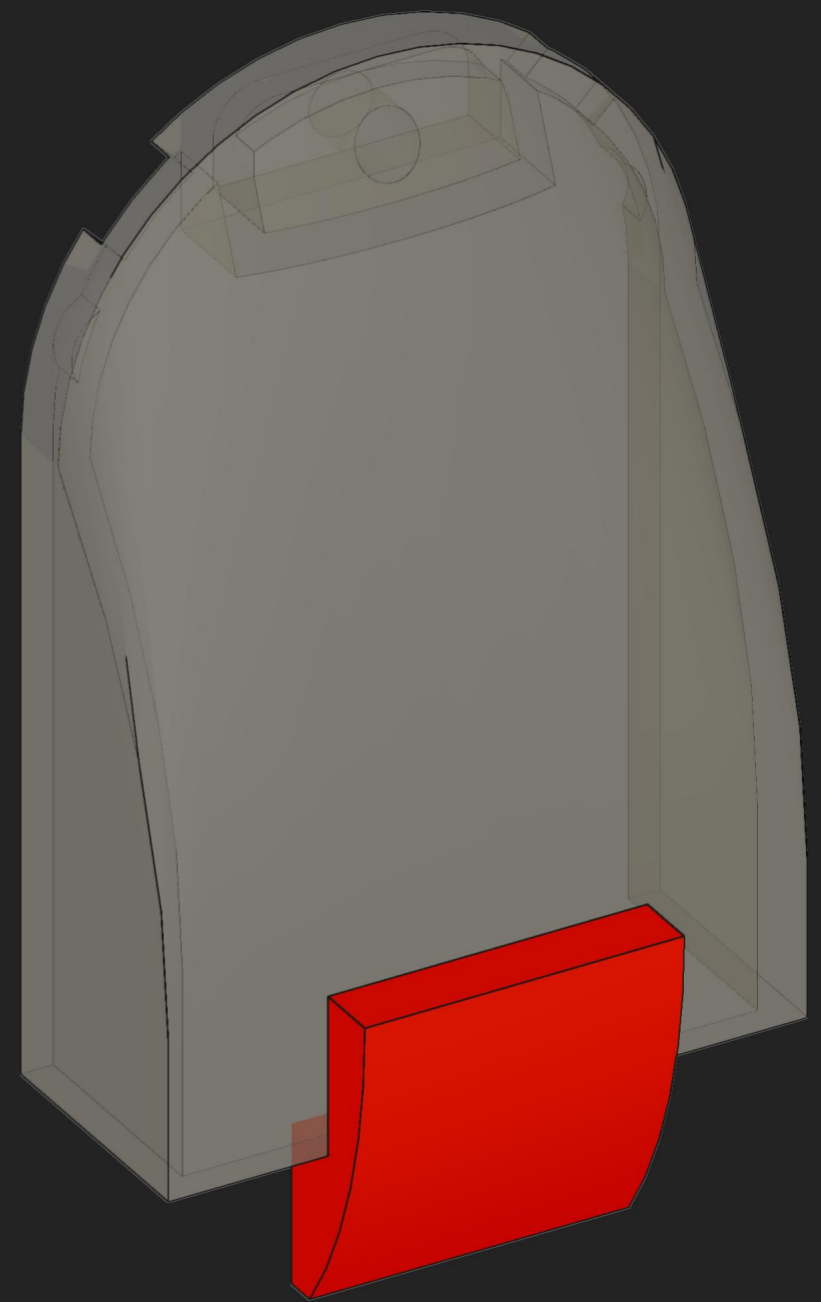
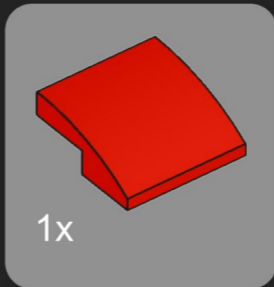
64



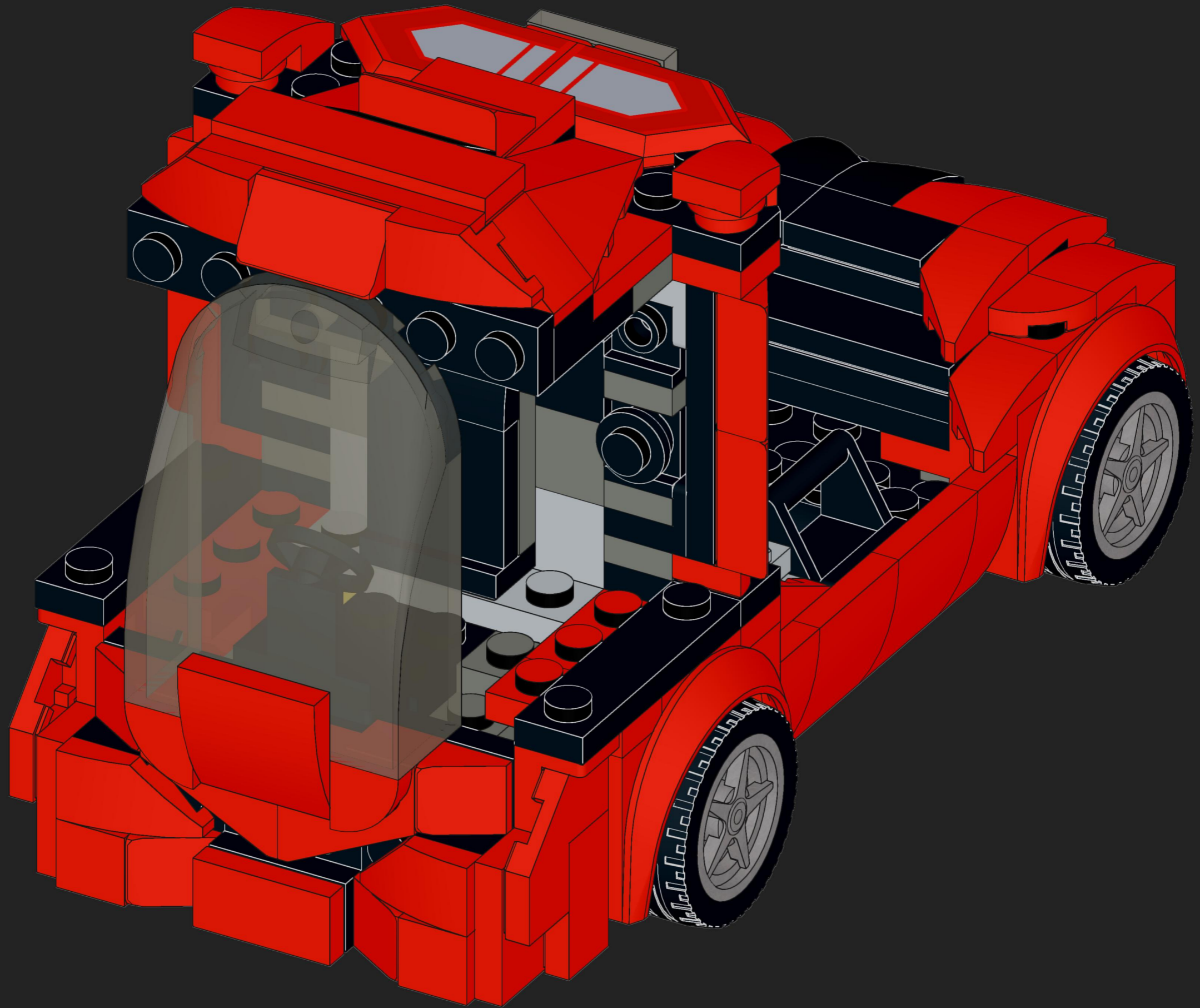
65



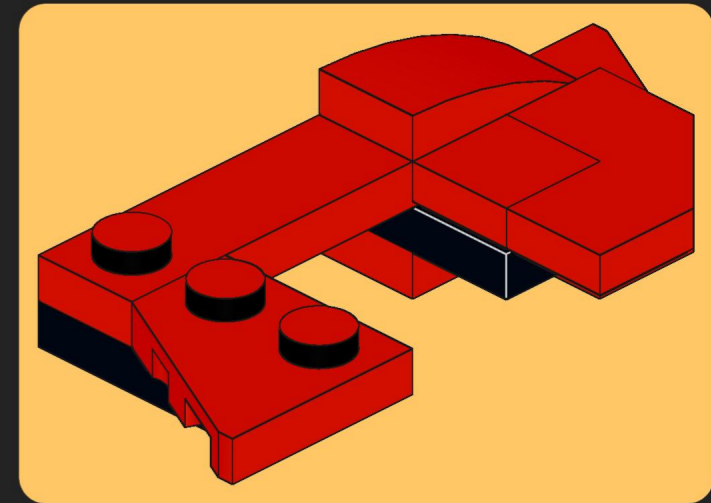
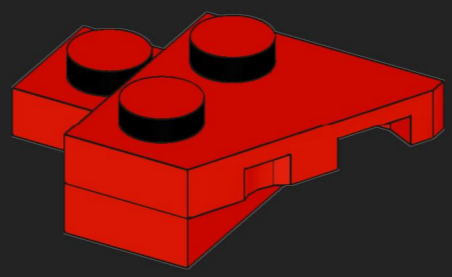
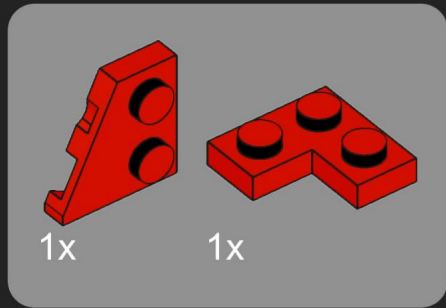
66



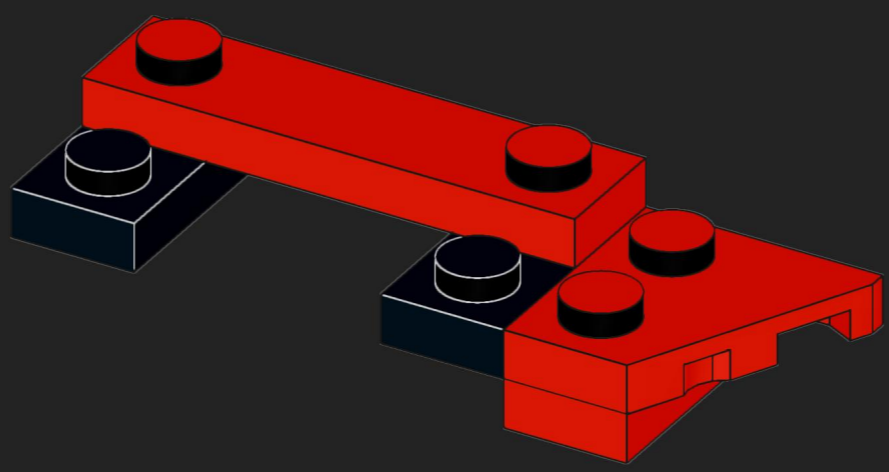
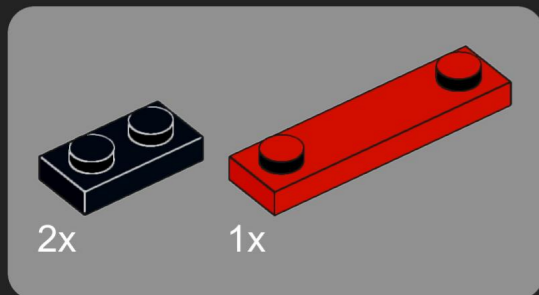
At the time of creating the instructions, the correct windscreen piece wasn't included in the software



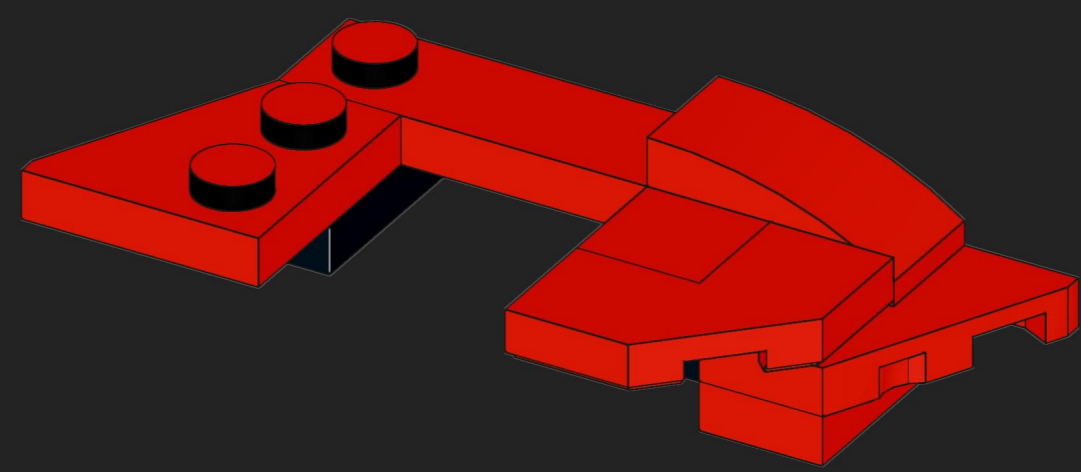
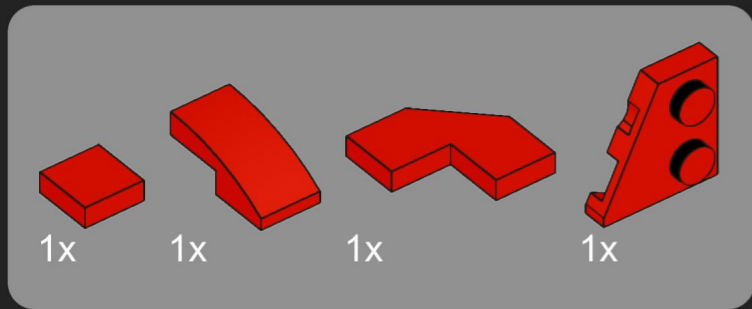
68

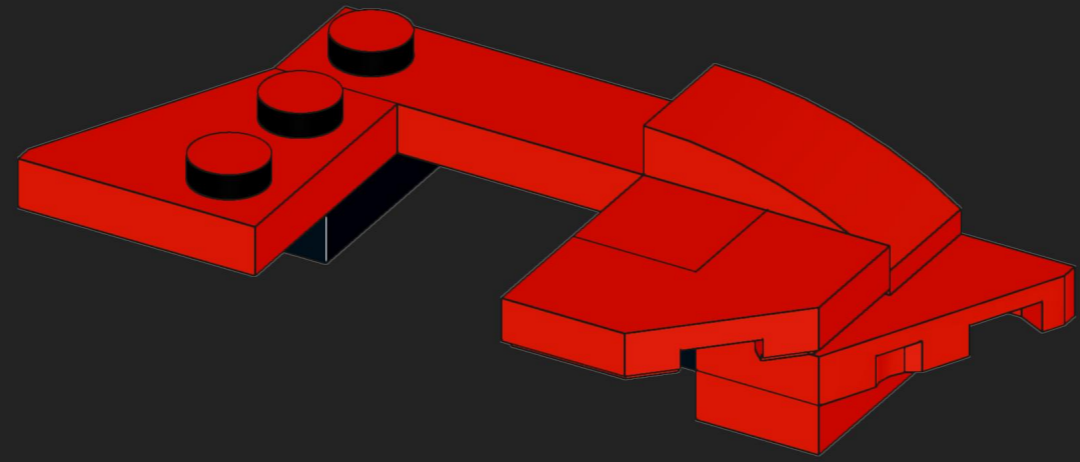
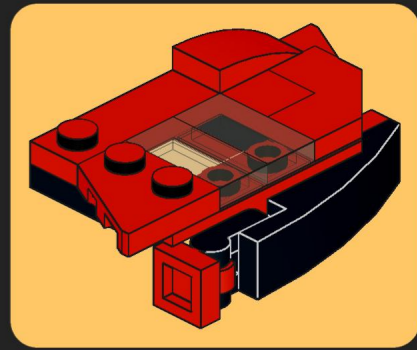


69

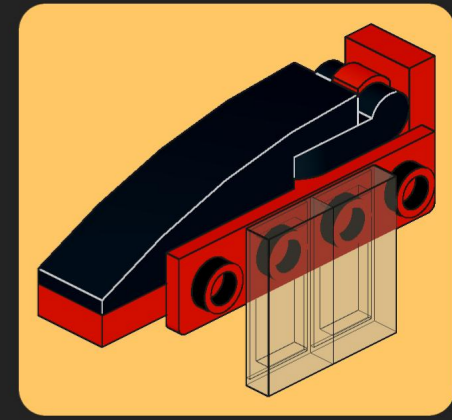
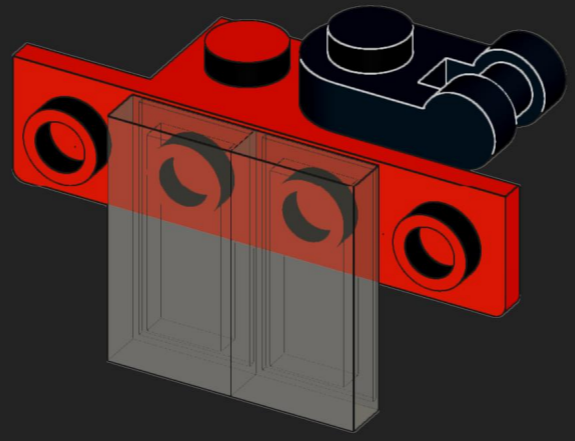
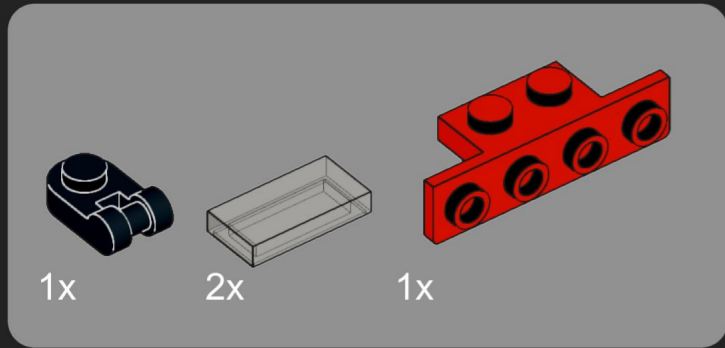


70

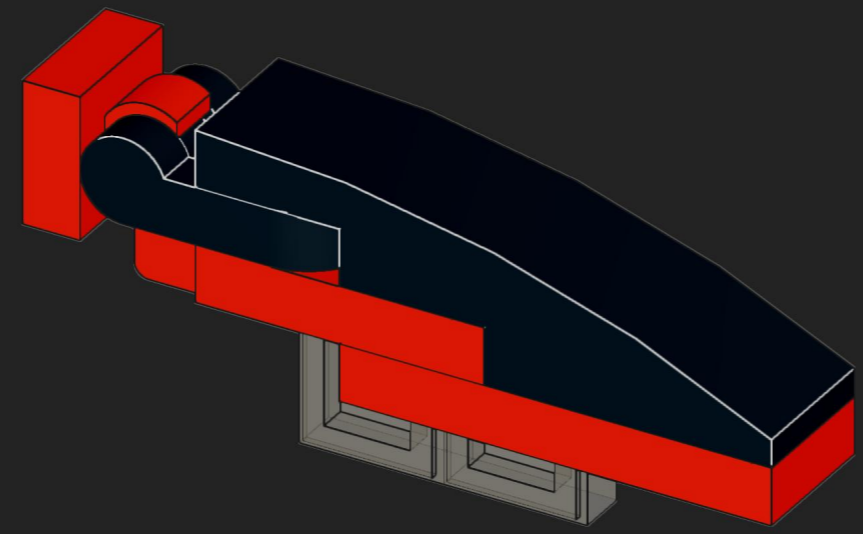
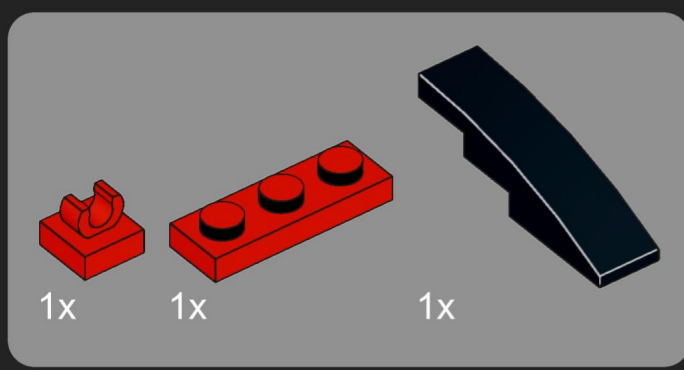




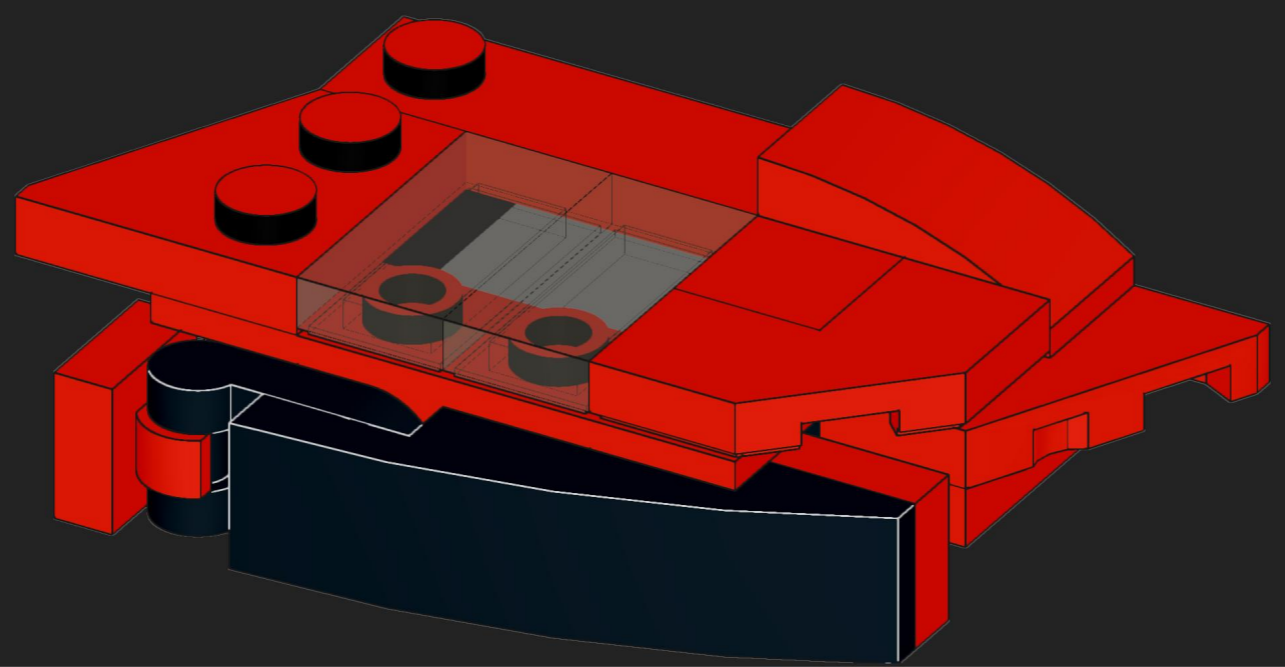
72

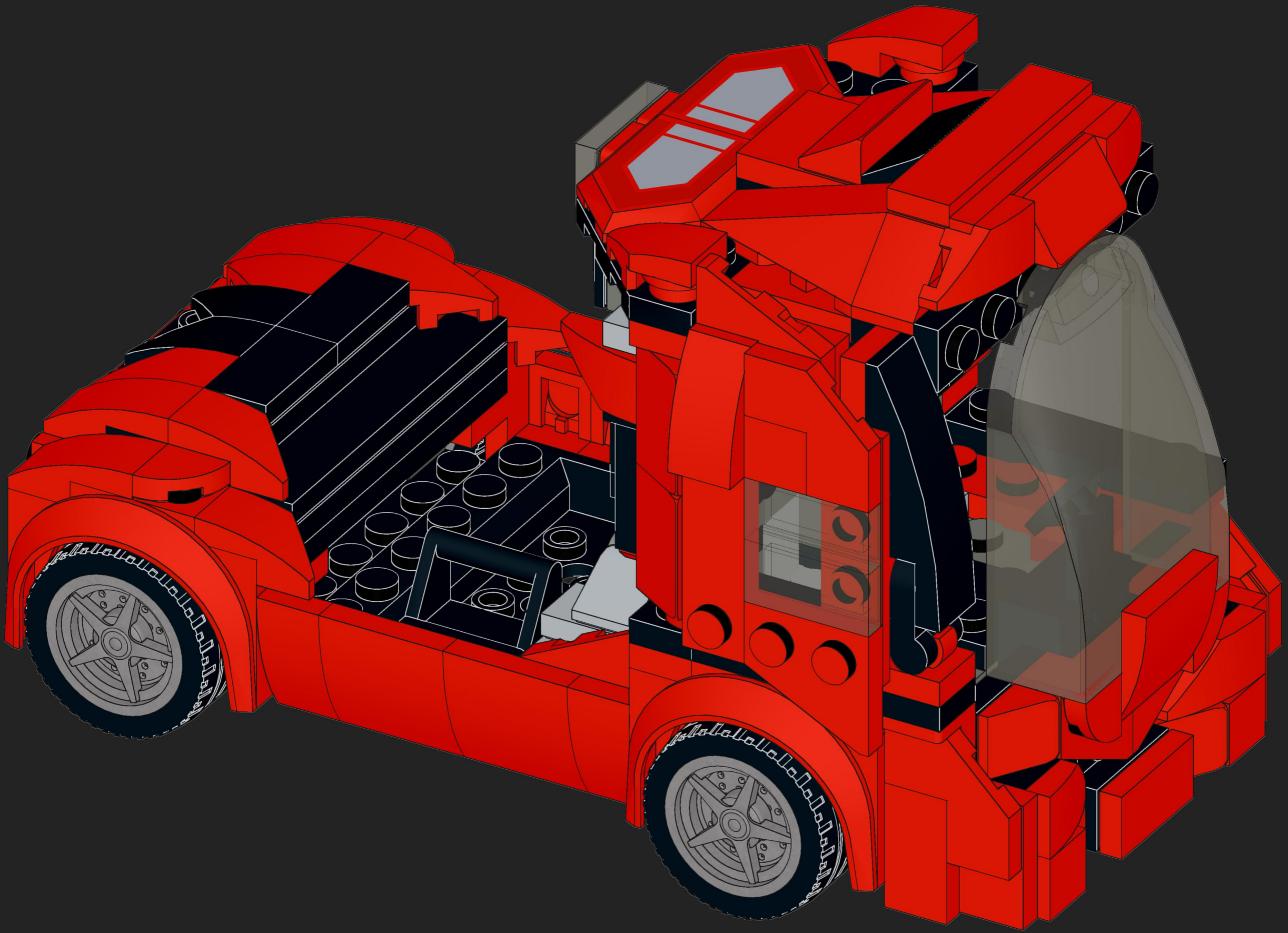


73

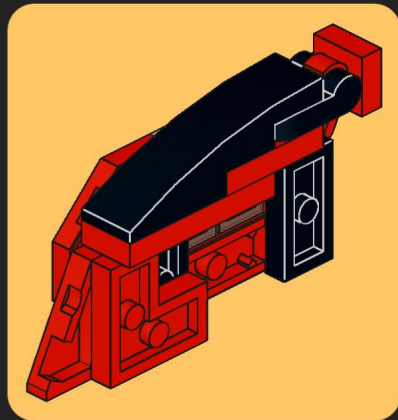
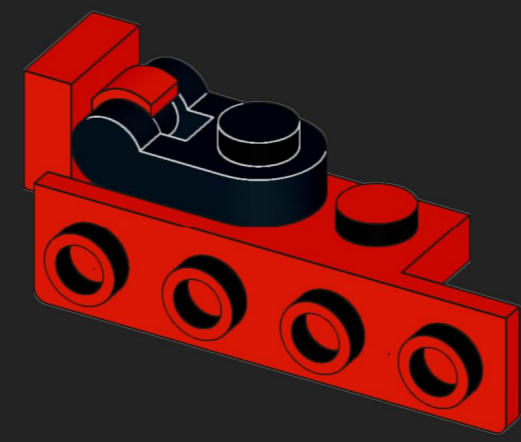
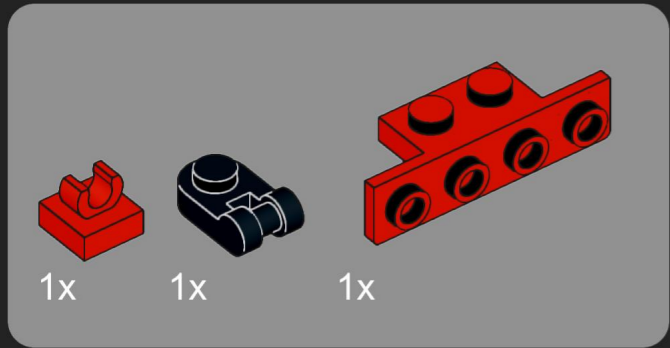


74

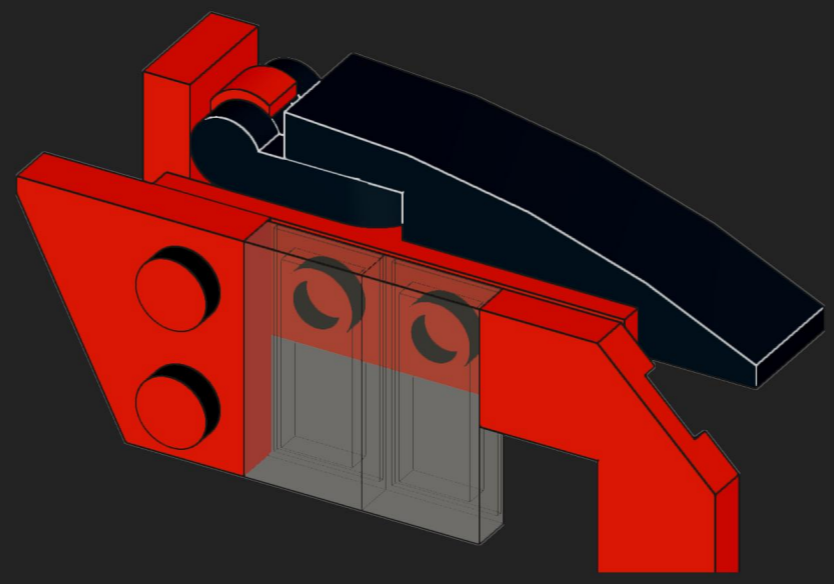
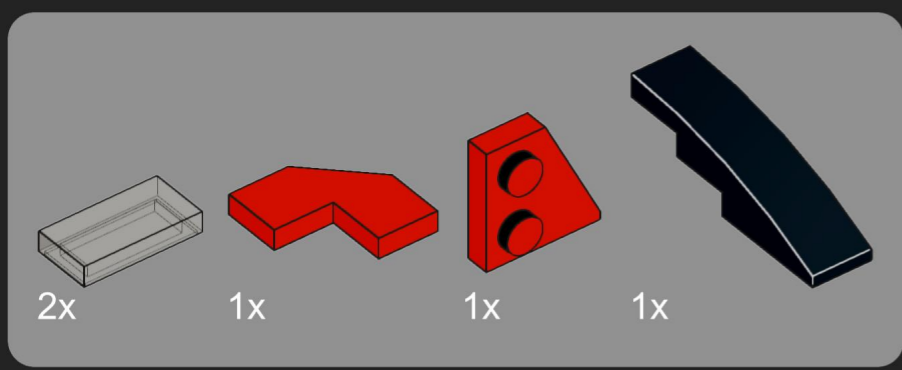




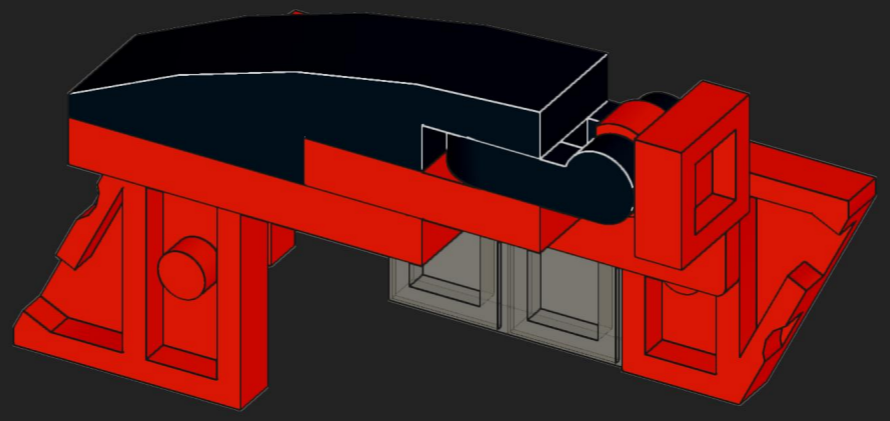
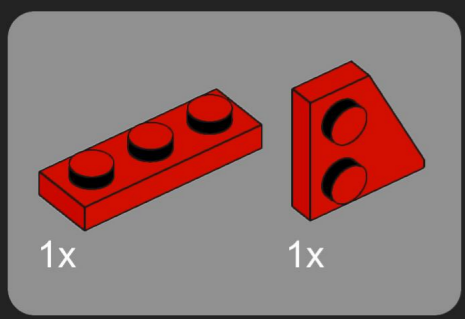
76



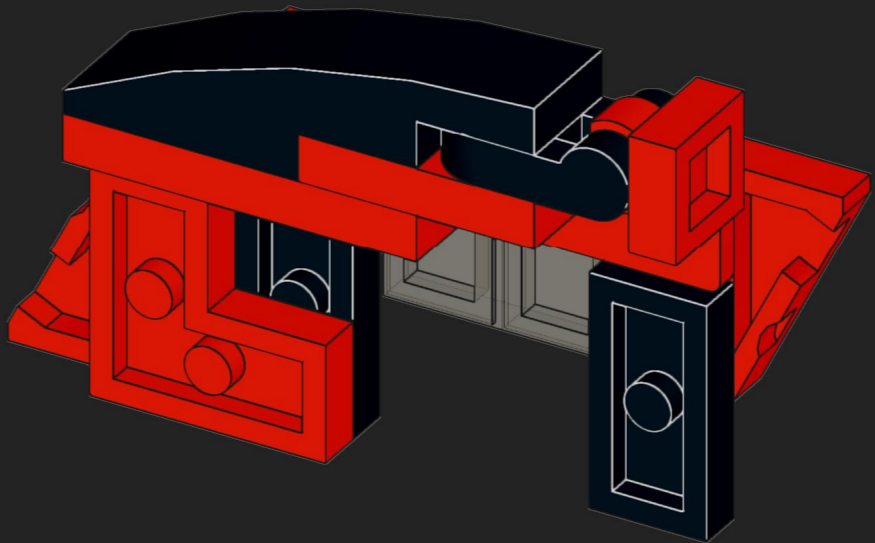
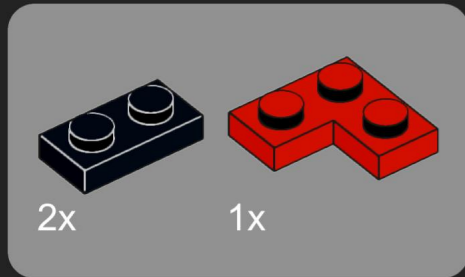
77



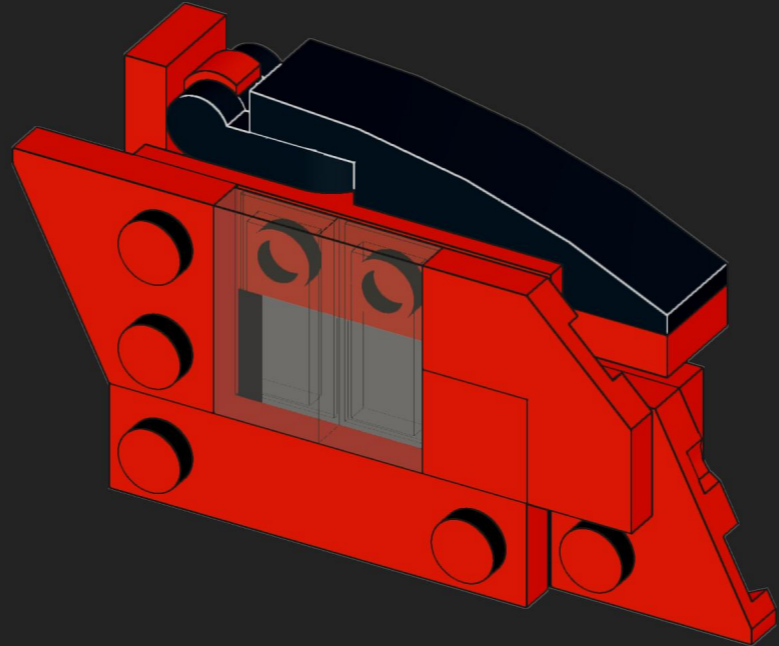
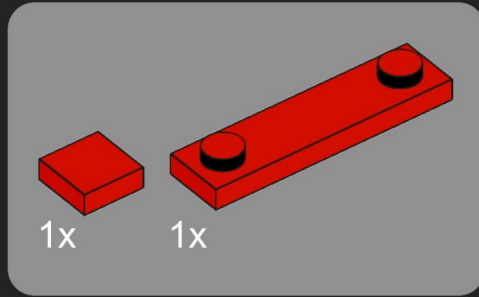
78



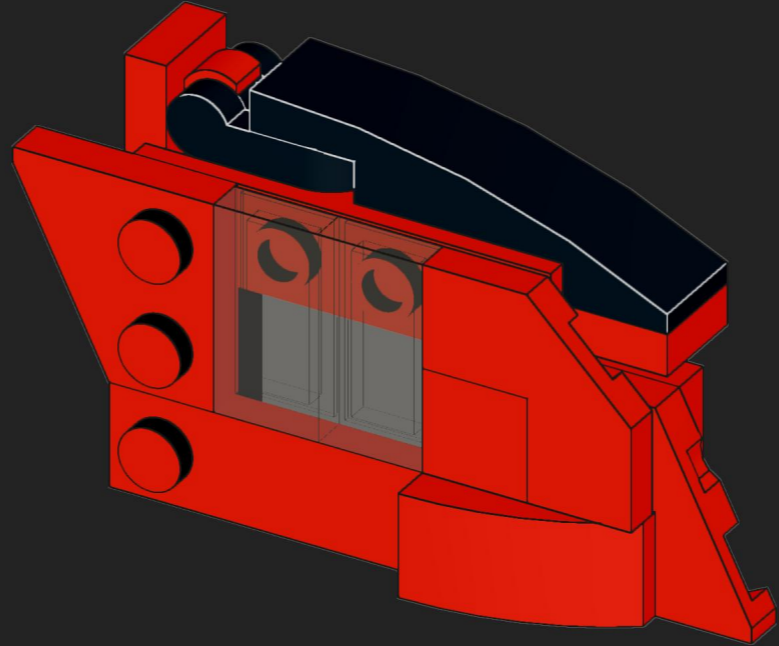
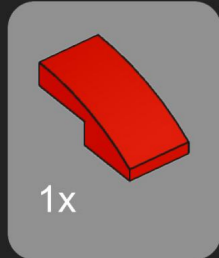
79

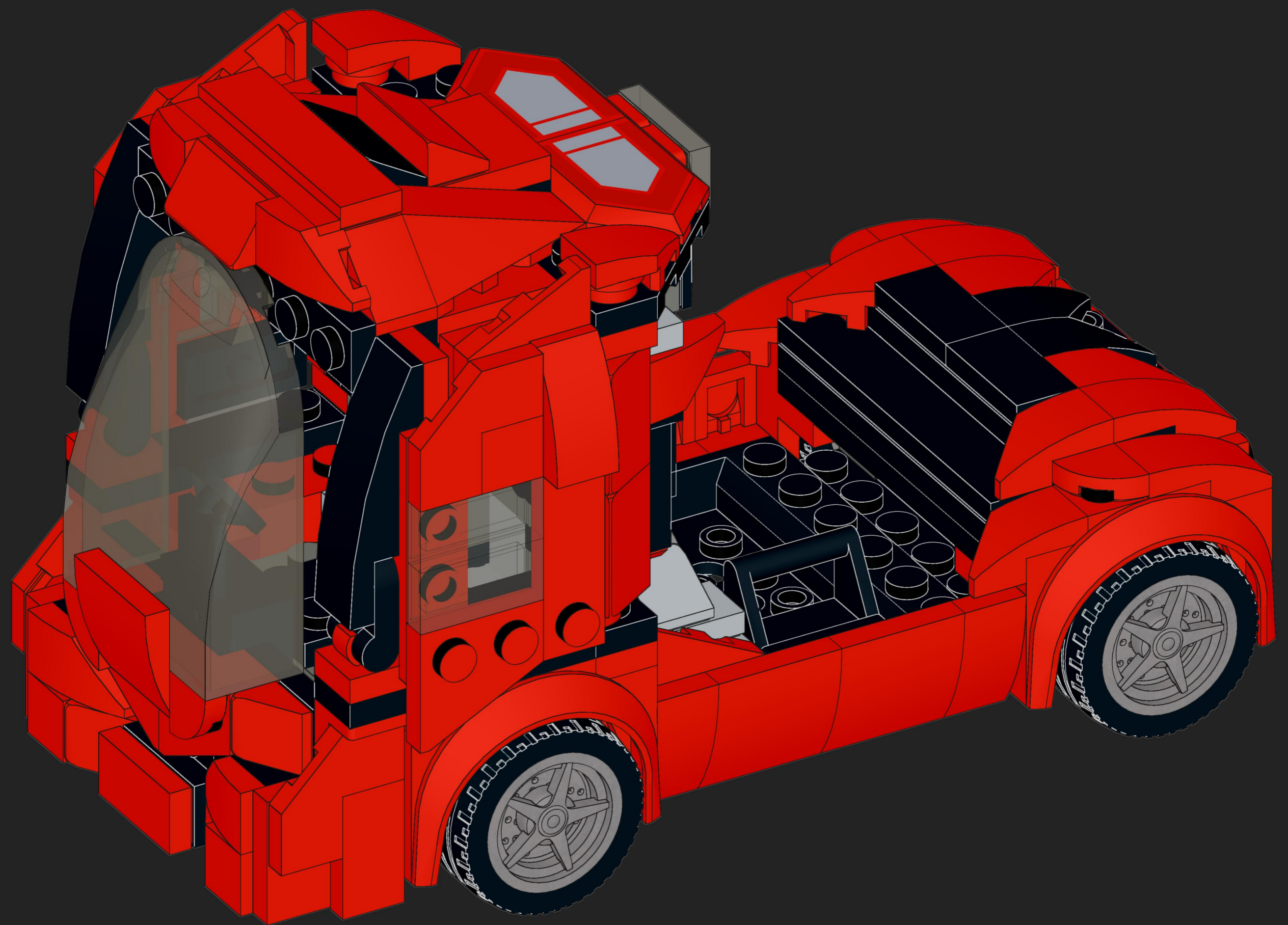


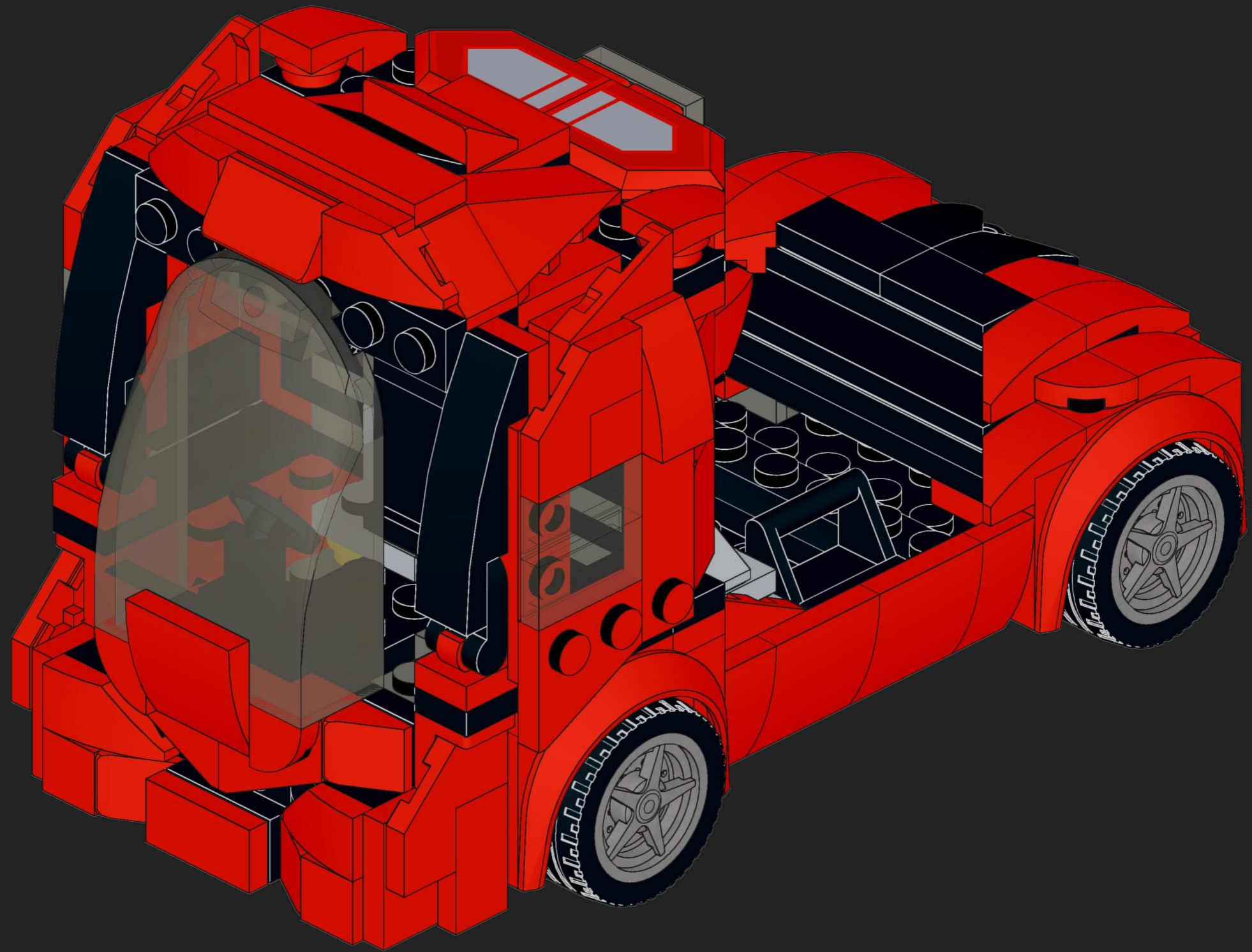
80

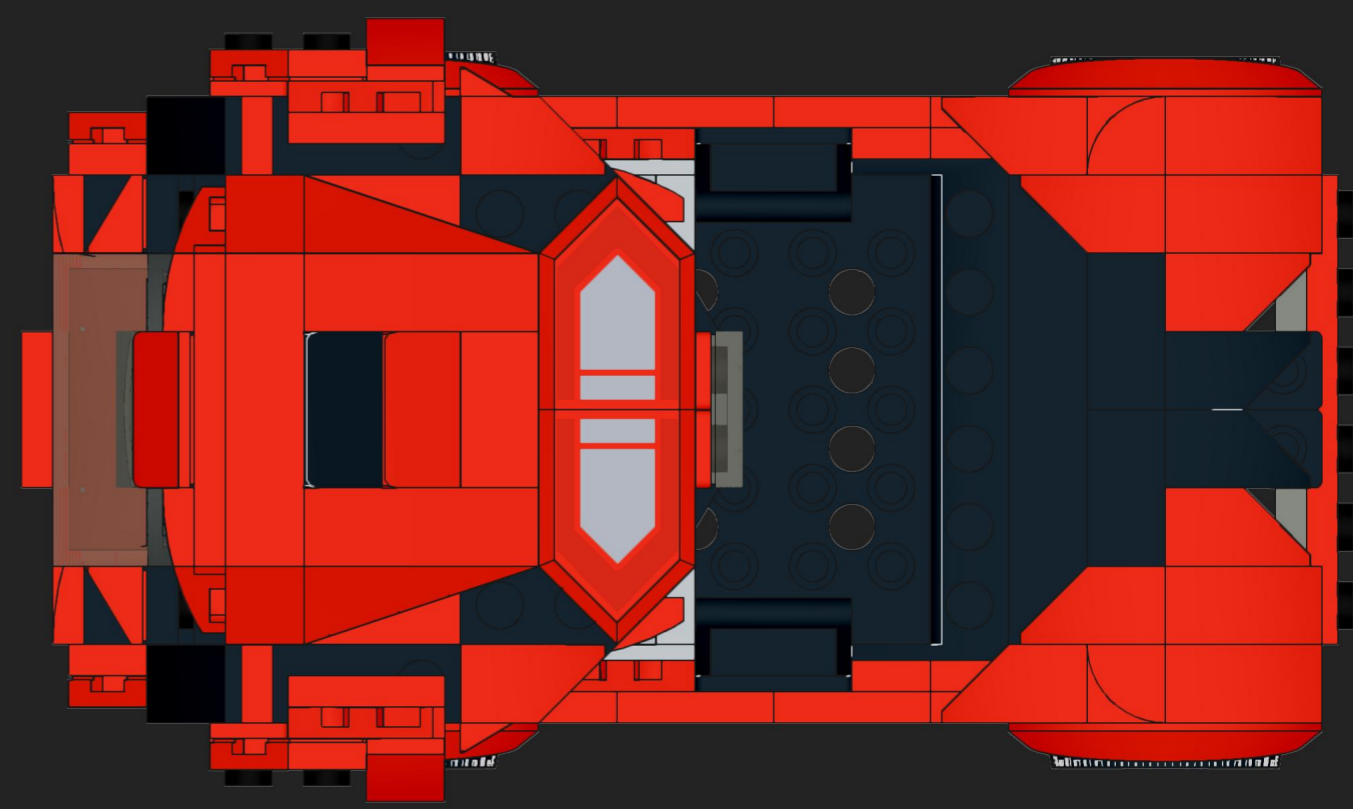
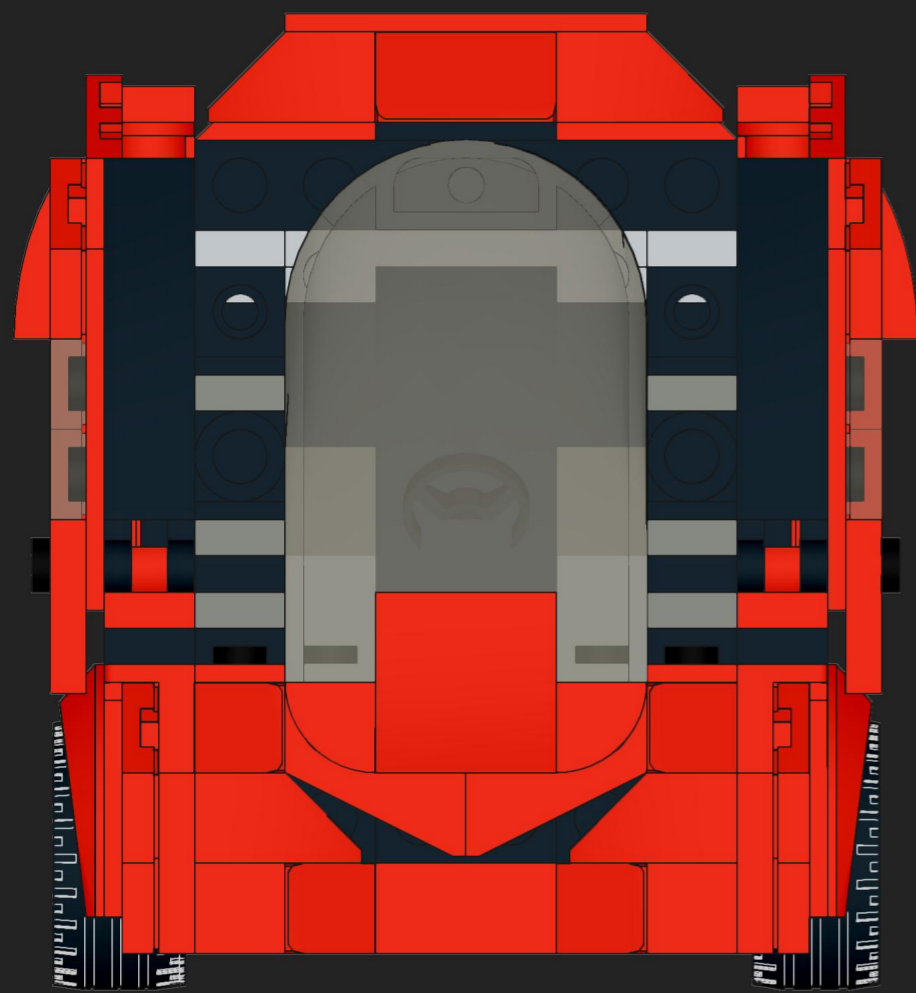
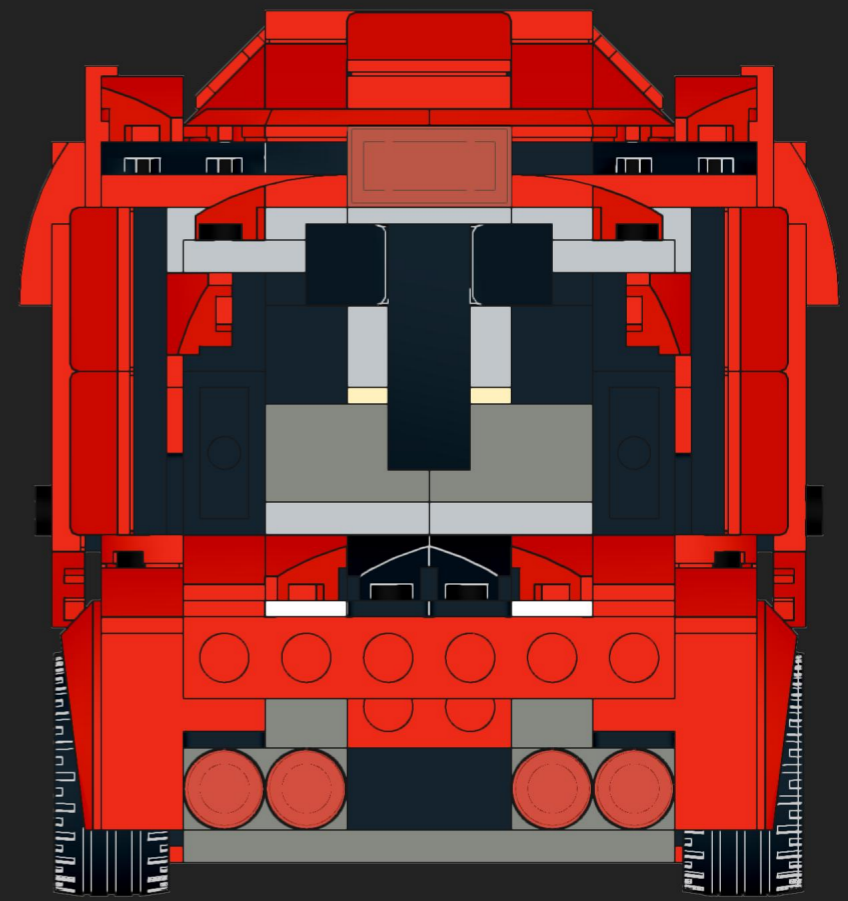
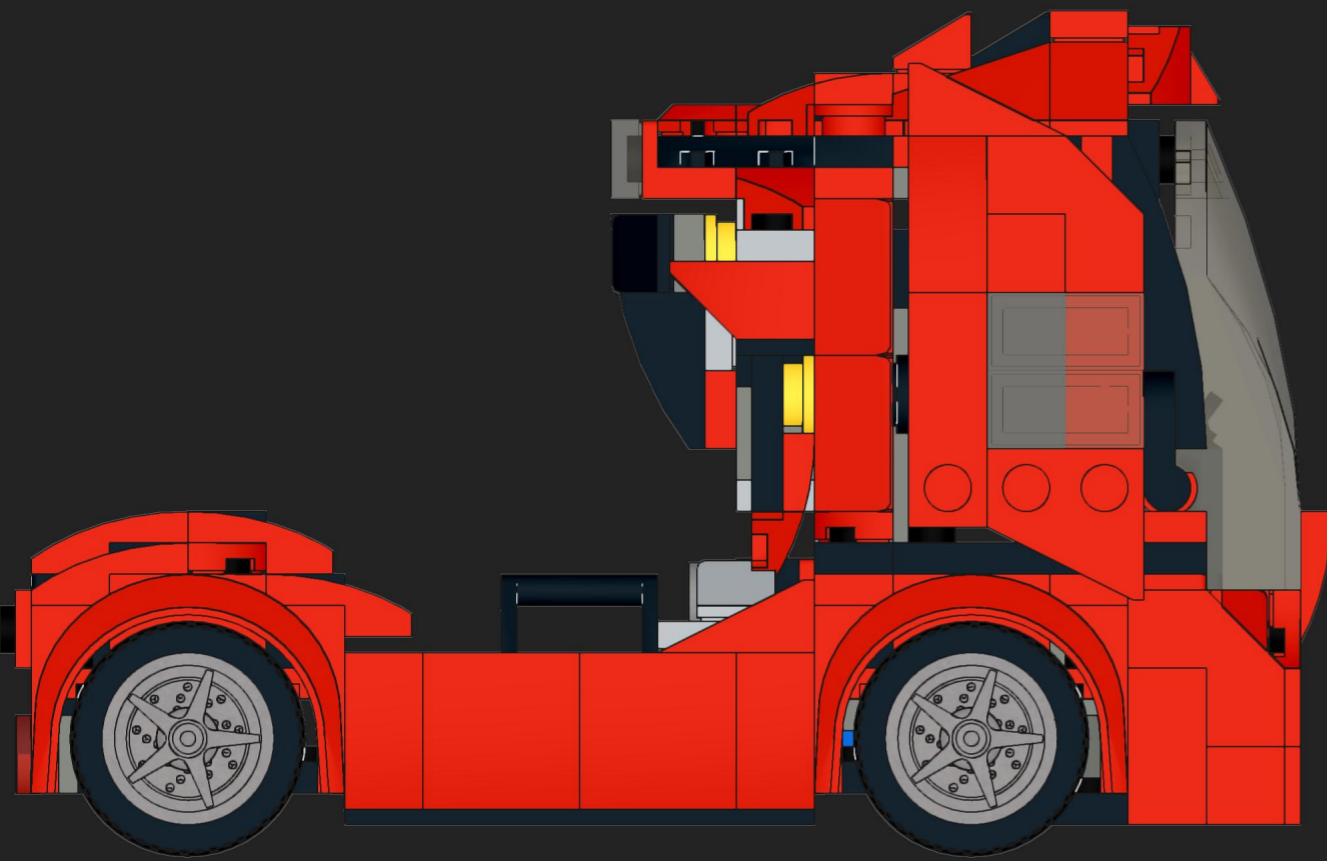


81





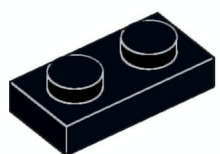








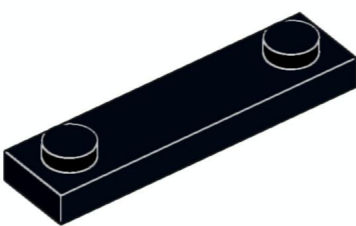
2x
4073, 11



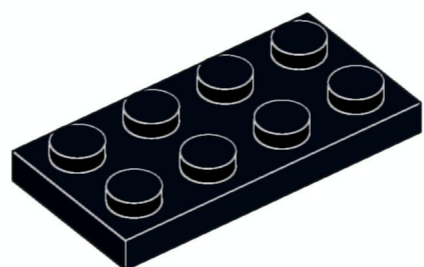
12x
3023, 11



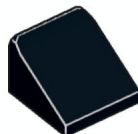
1x
15068, 11



2x
92593, 11



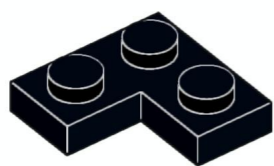
3x
3020, 11



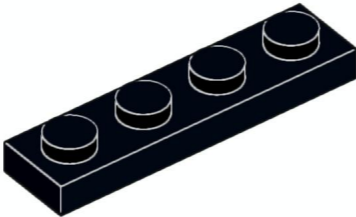
2x
54200, 11



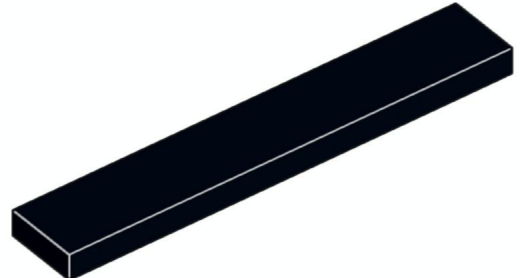
4x
3069b, 11



2x
2420, 11



2x
3710, 11



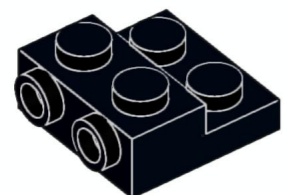
1x
6636, 11



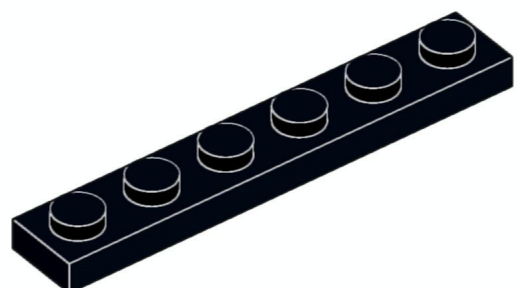
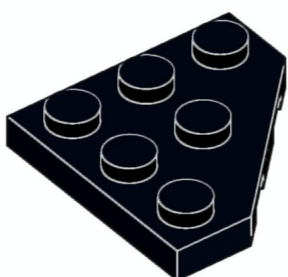
8x
36840, 11



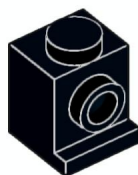
1x
85984, 11



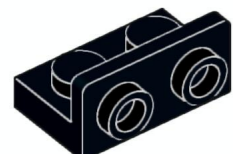
8x
99206, 11



6x
3666, 11



8x
4070, 11



2x
99780, 11

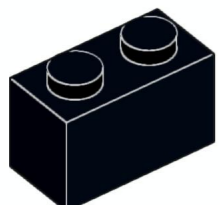


1x
3829c01, 11

2x
2450, 11



2x
26047, 11



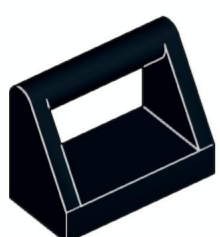
2x
3004, 11



2x
61678, 11



1x
29120, 11



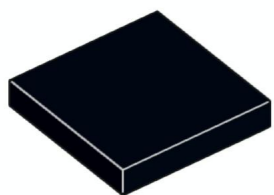
2x
2432, 11



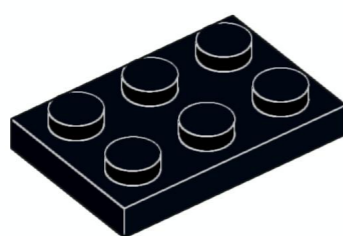
1x
50950, 11



1x
29119, 11



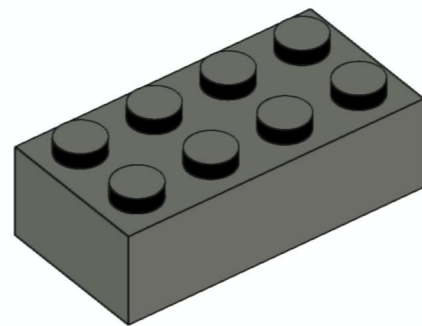
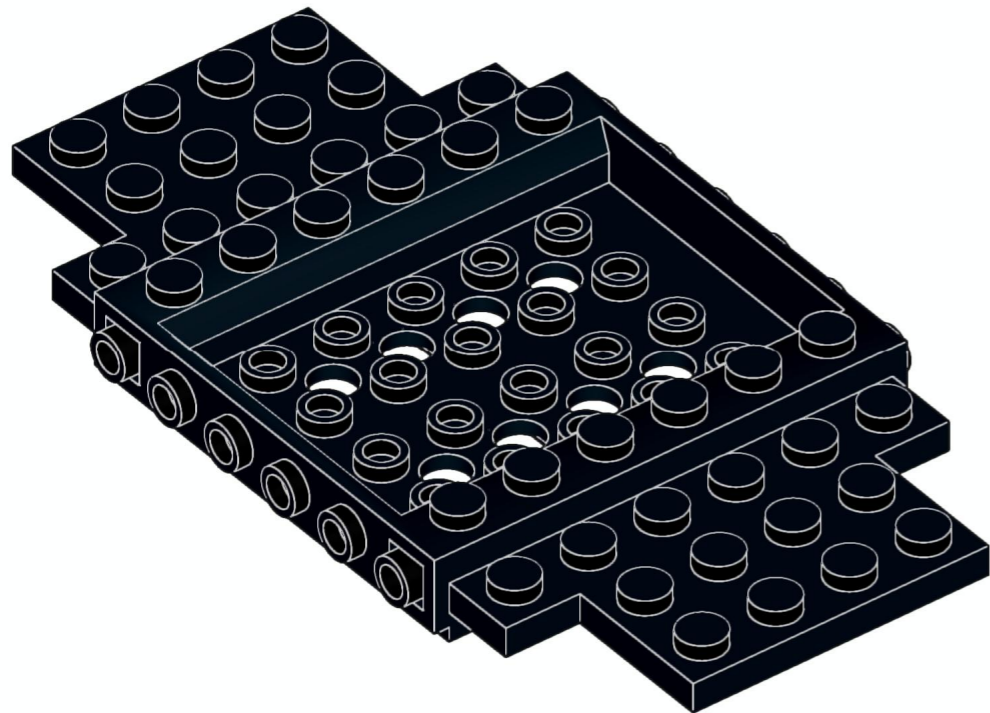
1x
3068b, 11



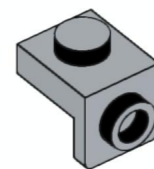
1x
3021, 11



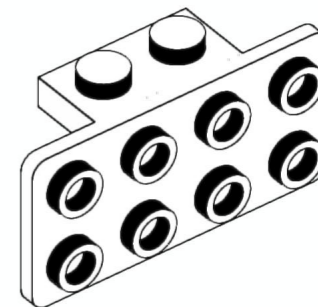
4x
18977, 11



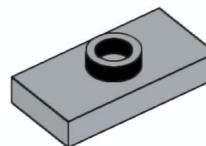
2x
3001, 85



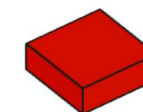
2x
36841, 86



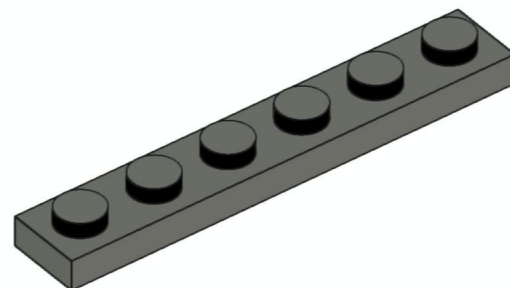
1x
93274, 1



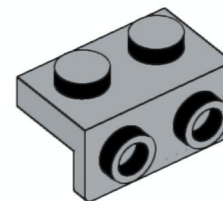
3x
15573, 86



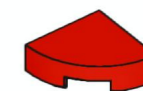
4x
3070b, 5



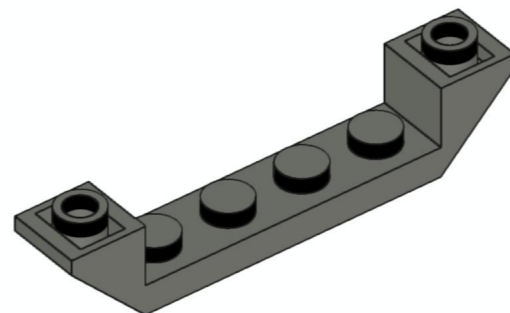
2x
3666, 85



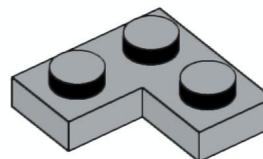
2x
99781, 86



6x
25269, 5



1x
52501, 85

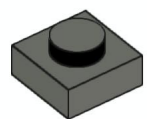


4x
2420, 86

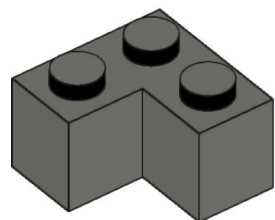


2x
85861, 5

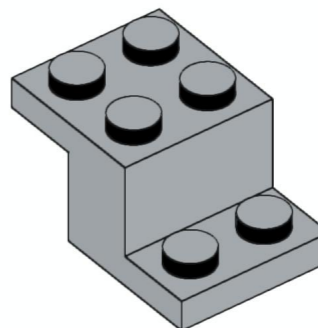
1x
65634, 11



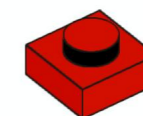
7x
3024, 85



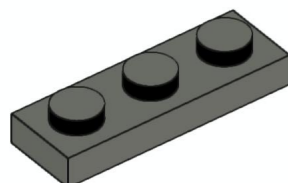
2x
2357, 85



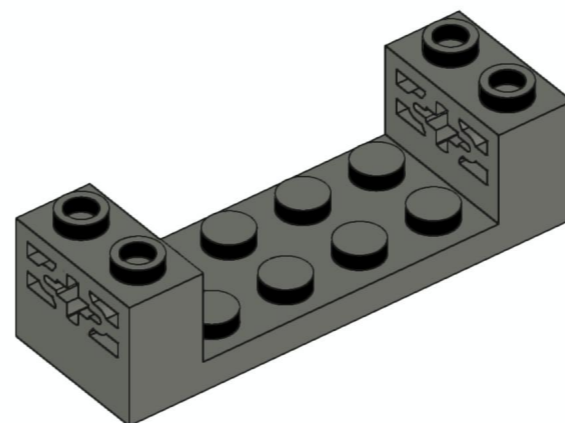
3x
18671, 86



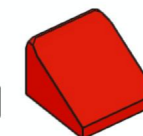
5x
3024, 5



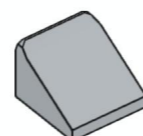
3x
3623, 85



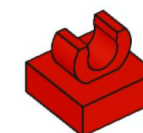
2x
65635, 85



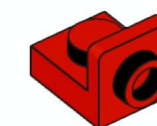
4x
54200, 5



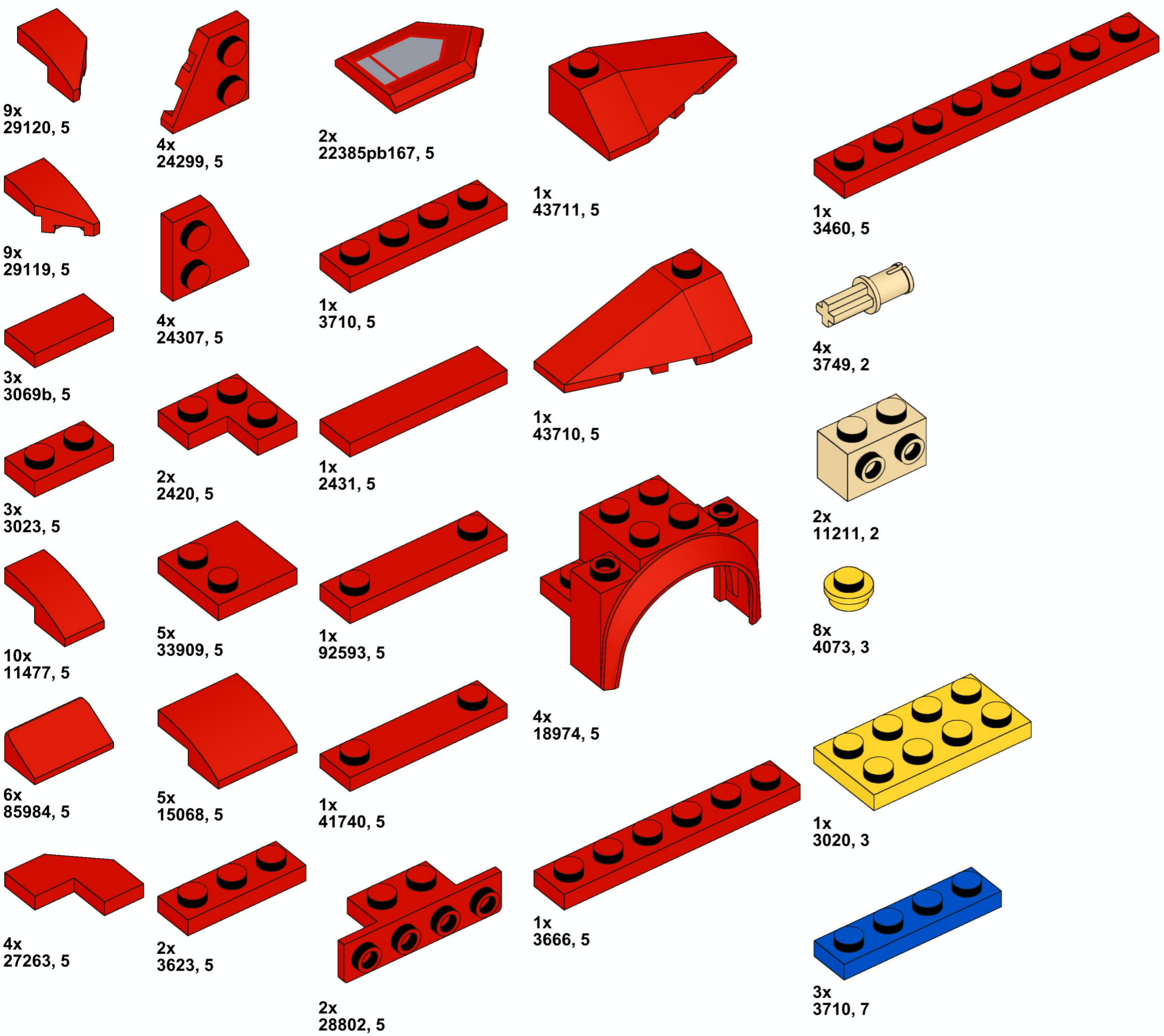
2x
54200, 86



2x
15712, 5



6x
36840, 5



9x
29120, 5

4x
24299, 5

2x
22385pb167, 5

1x
43711, 5

1x
3460, 5

9x
29119, 5

4x
24307, 5

1x
3710, 5

4x
3749, 2

3x
3069b, 5

2x
2420, 5

1x
2431, 5

1x
43710, 5

2x
11211, 2

3x
3023, 5

5x
33909, 5

1x
92593, 5

8x
4073, 3

10x
11477, 5

5x
15068, 5

1x
41740, 5

4x
18974, 5

1x
3020, 3

6x
85984, 5

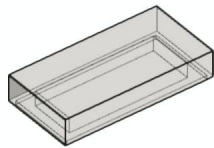
4x
27263, 5

2x
3623, 5

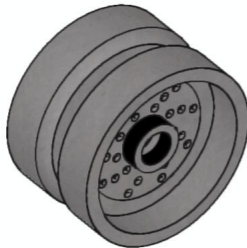
2x
28802, 5

1x
3666, 5

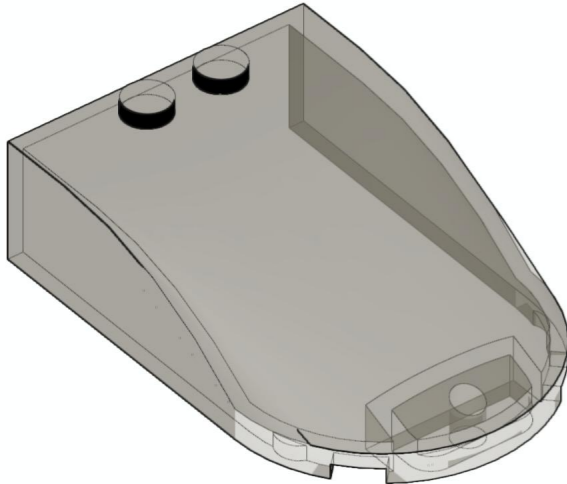
3x
3710, 7



5x
3069b, 13



4x
66727, 95



1x
18973, 13



4x
98138, 17



2x
18654, 95



4x
18978a, 95