







Build instructions by Dorian Bricktron  
[dorianbricktron.com](http://dorianbricktron.com)





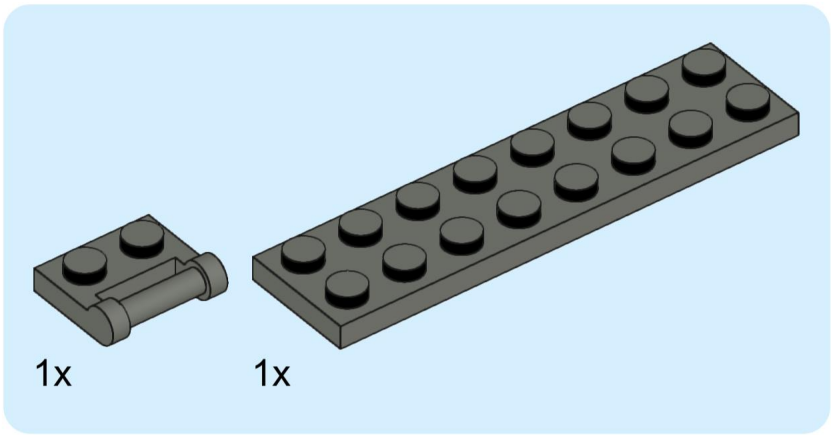
# **CAUTION**

**SPECIFIC DESIGN  
NOT AS STURDY AS A REGULAR SET**

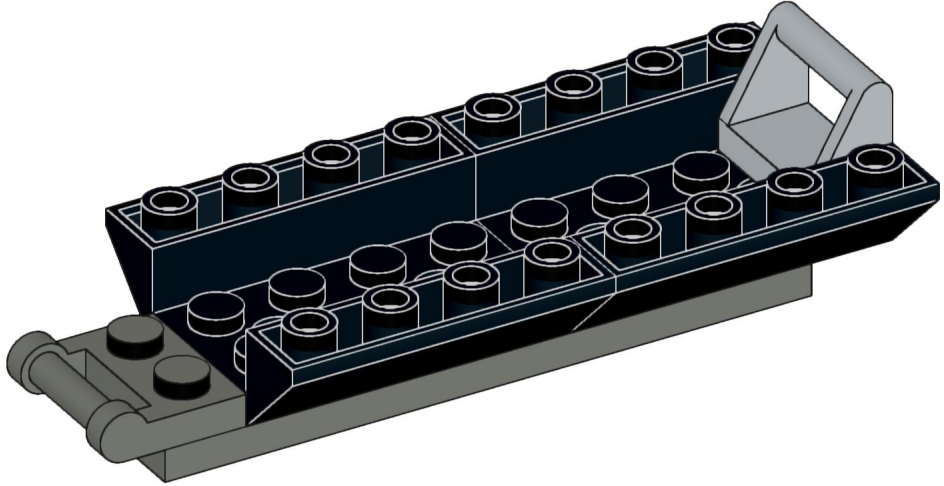
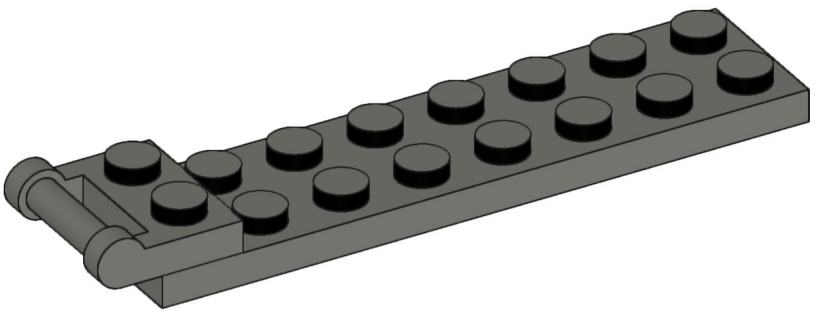
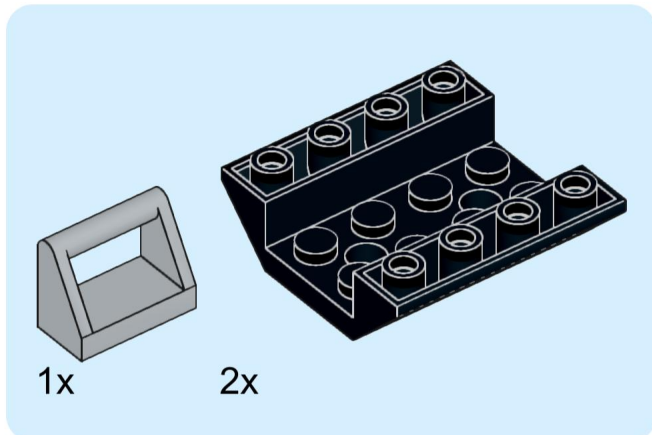
**MIGHT INCLUDE "ILLEGAL BUILDING  
TECHNIQUES" & WEAK CONNECTIONS**

**BENDING OF THE MATERIALS CAN CAUSE  
PERMANENT DAMAGE**

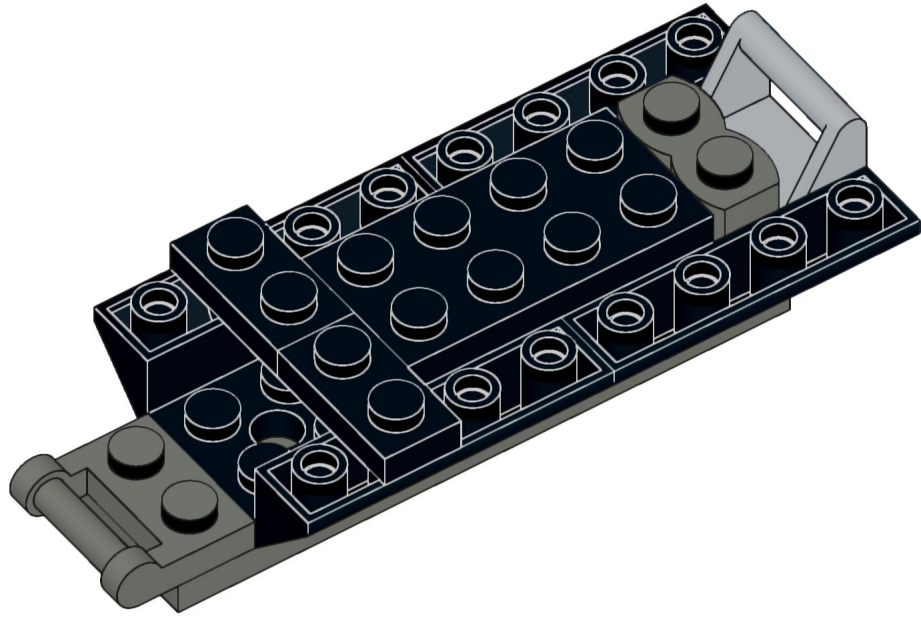
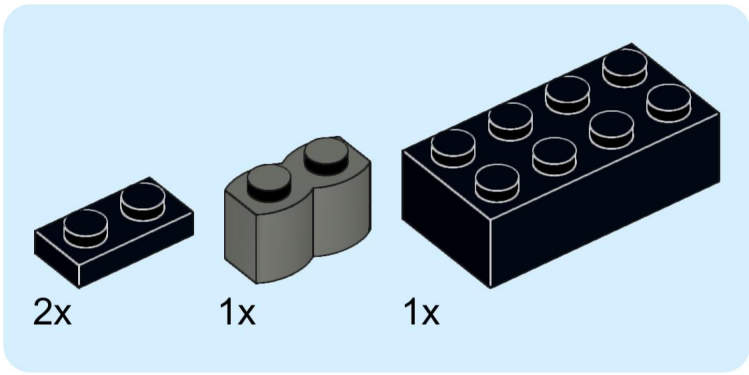
1



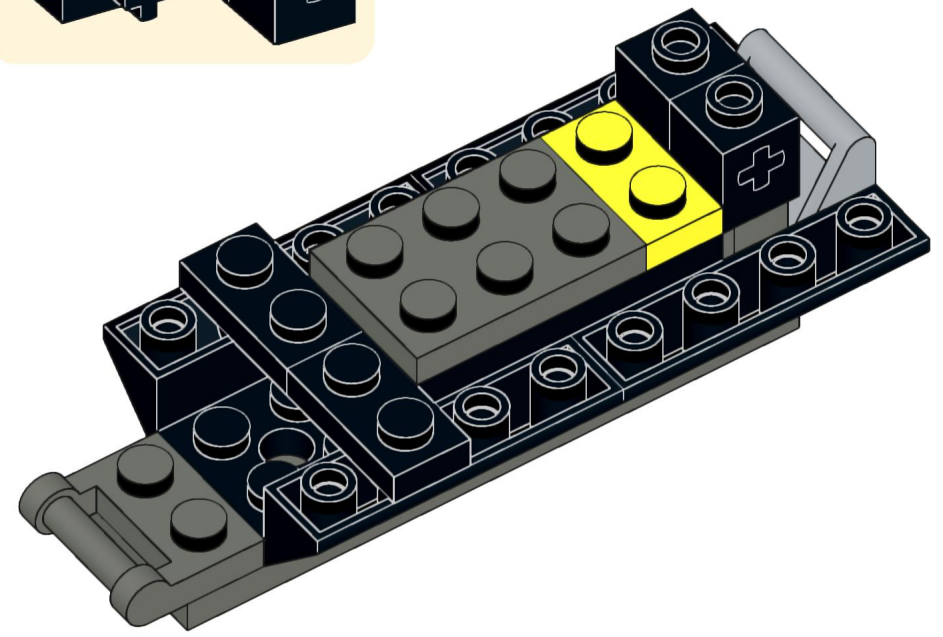
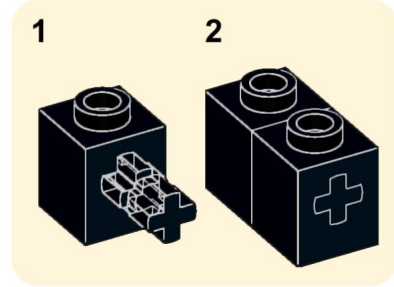
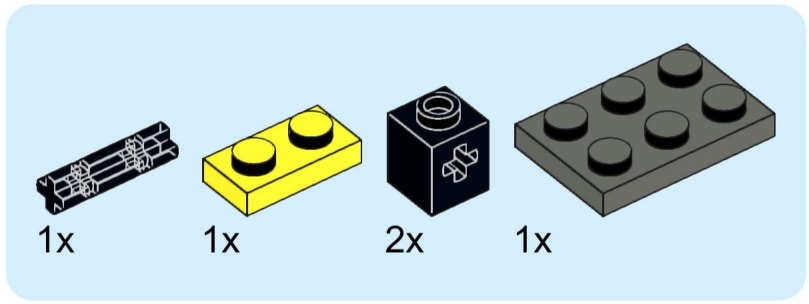
2



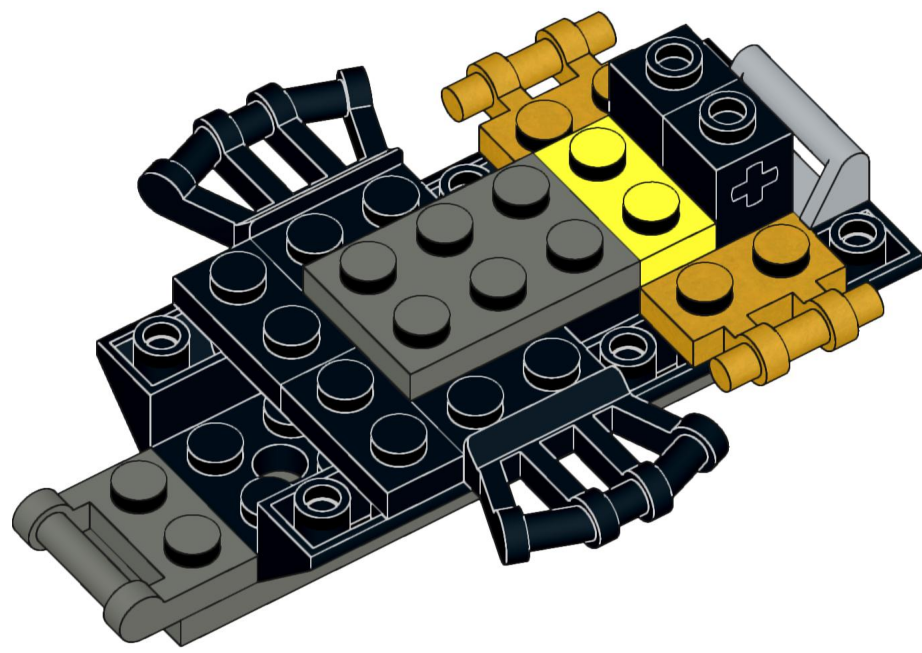
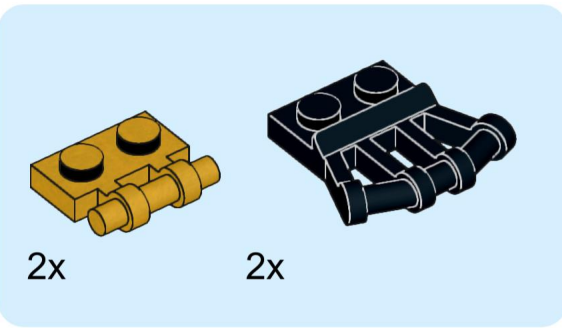
3



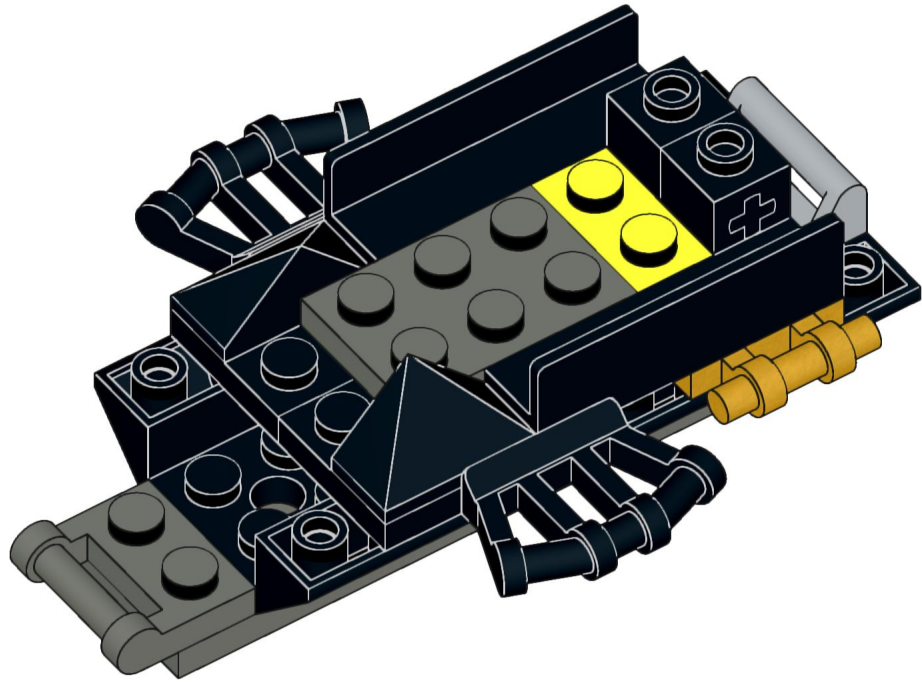
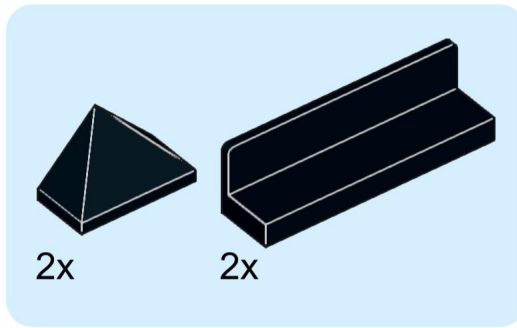
4



5

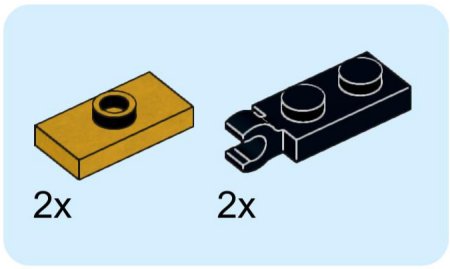


6

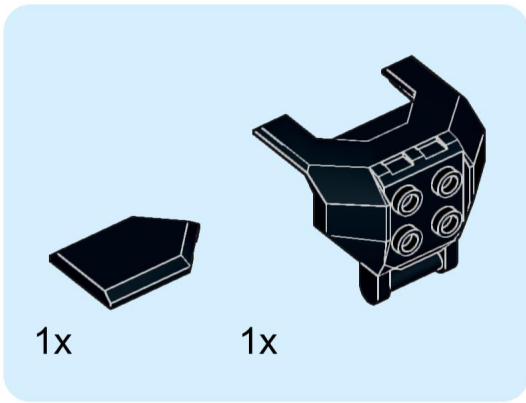




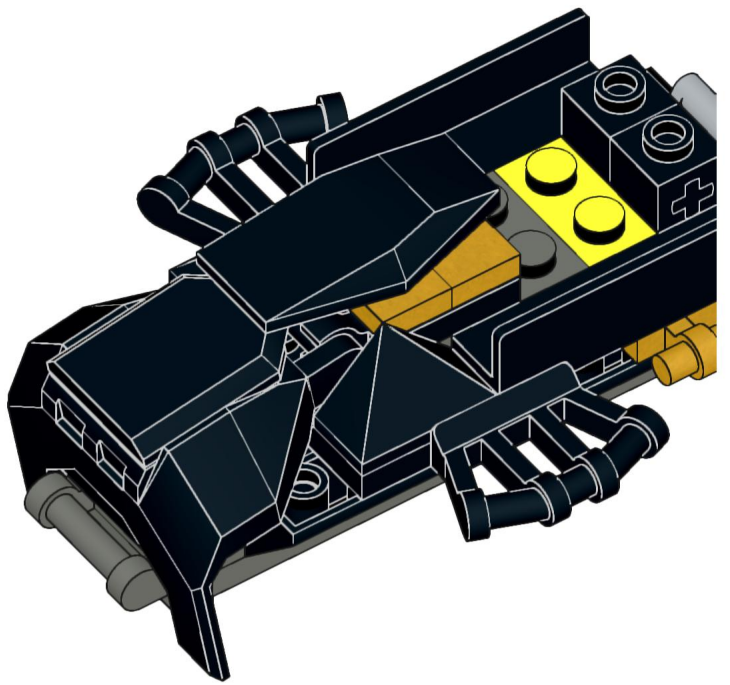
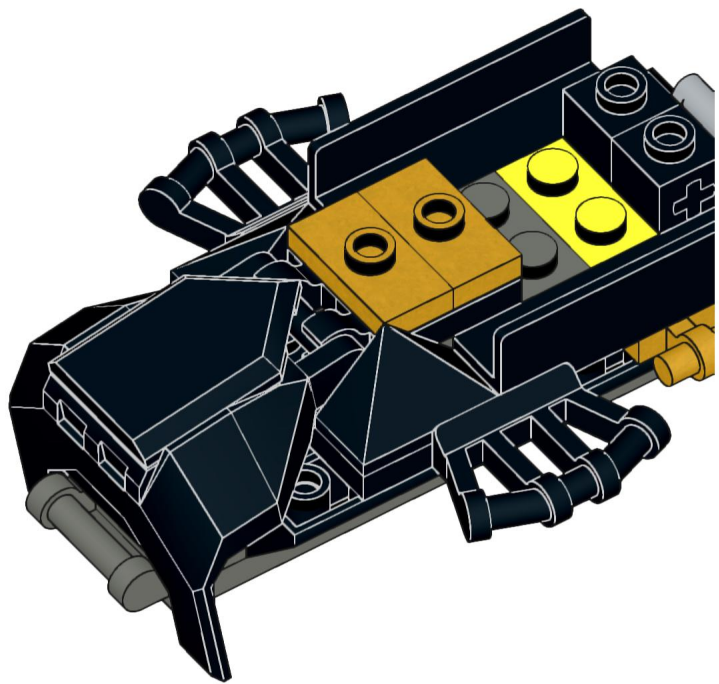
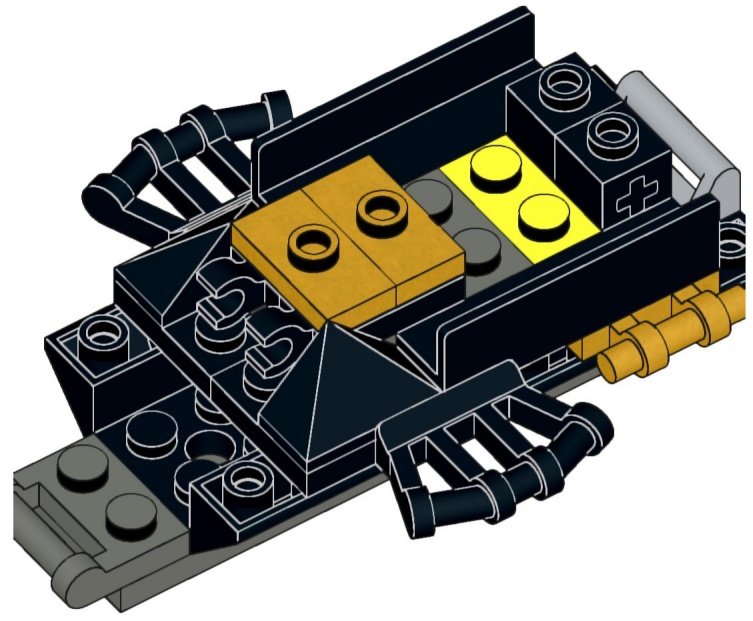
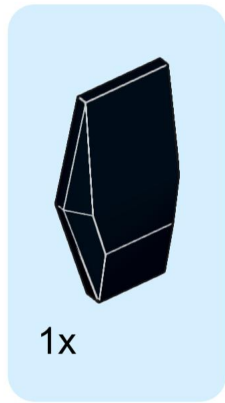
7



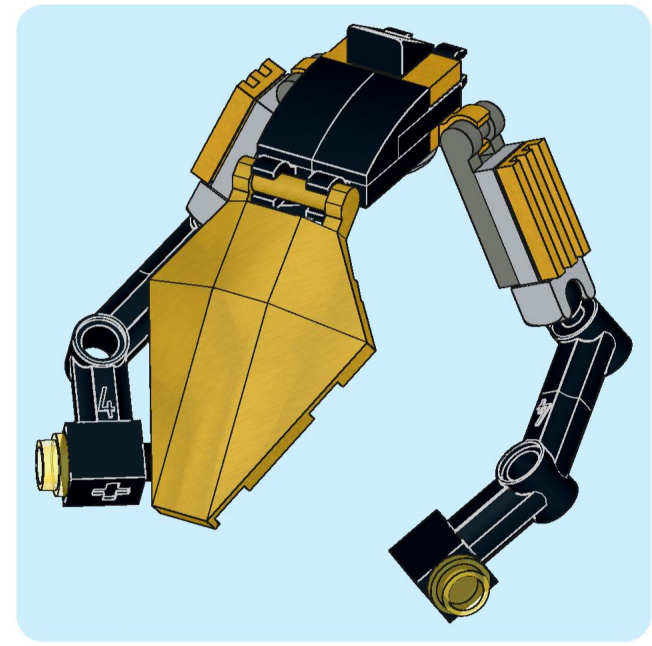
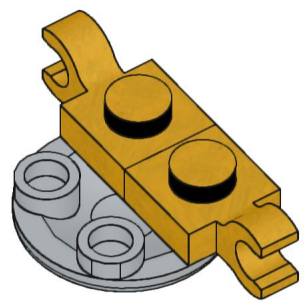
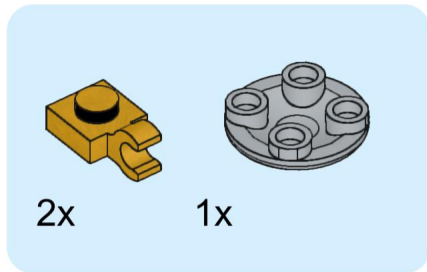
8



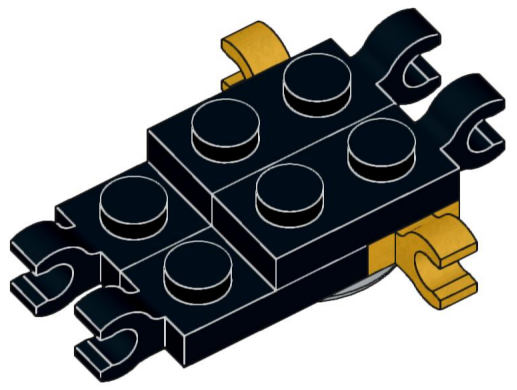
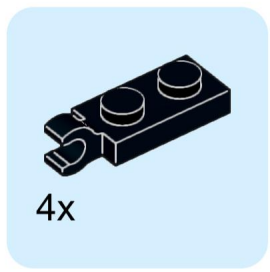
9



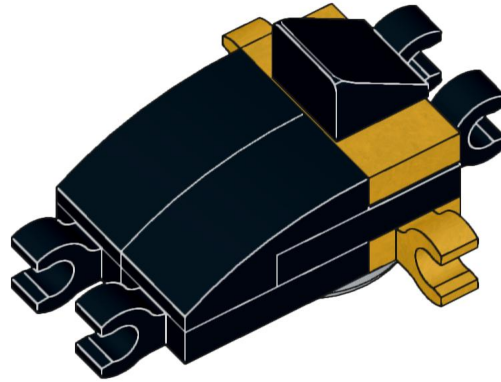
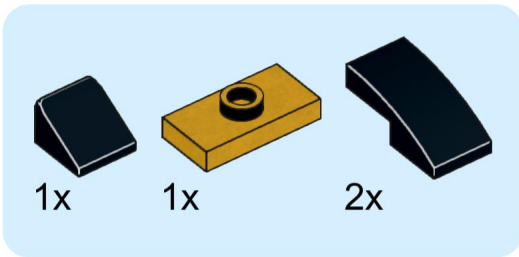
10



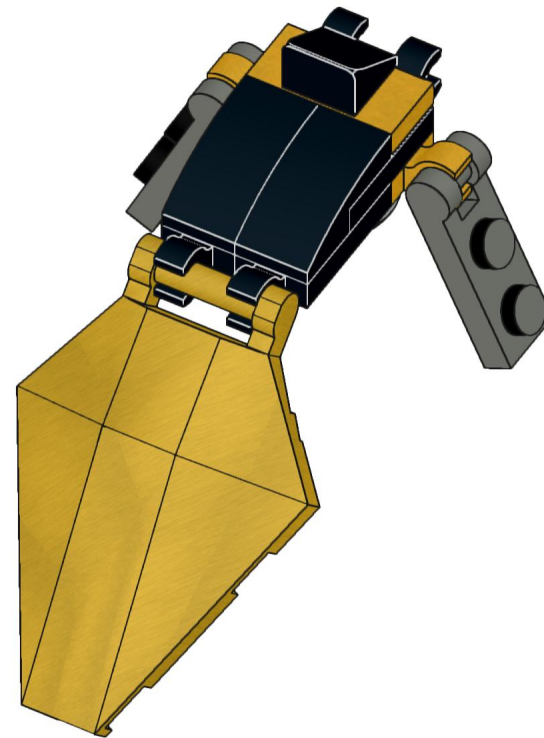
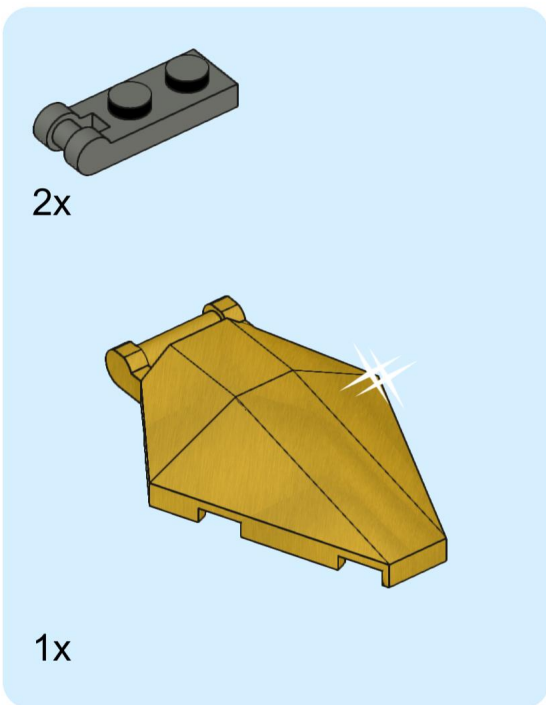
11



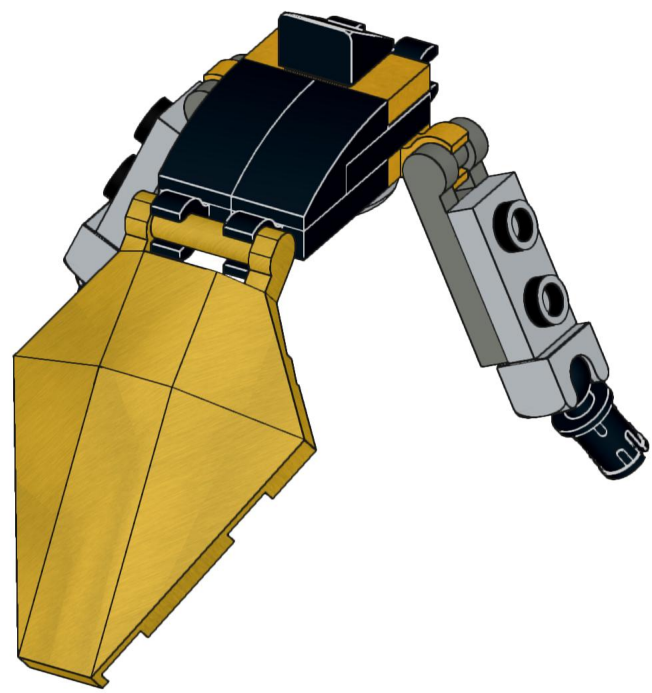
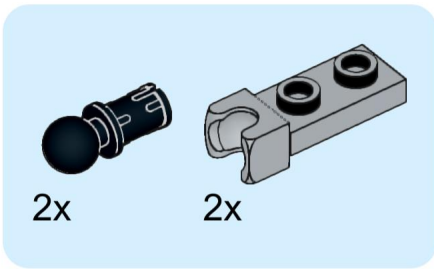
12



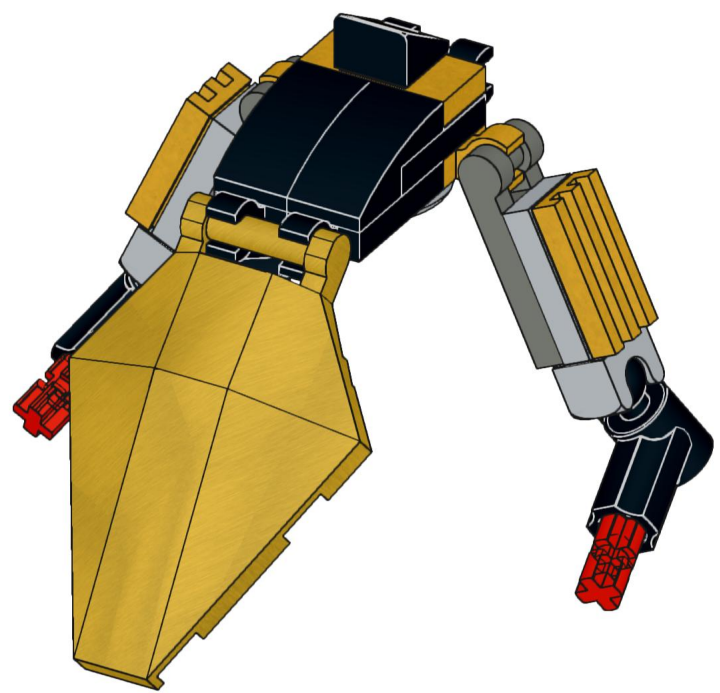
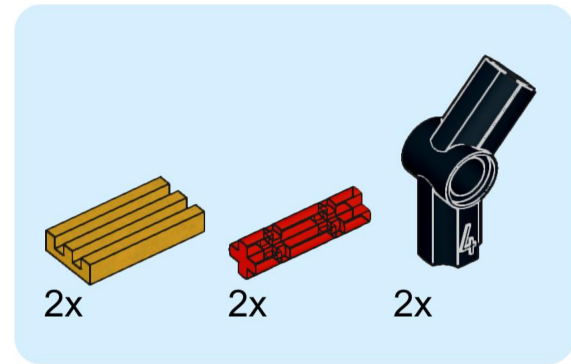
13



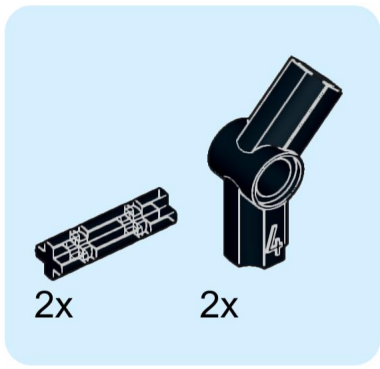
14



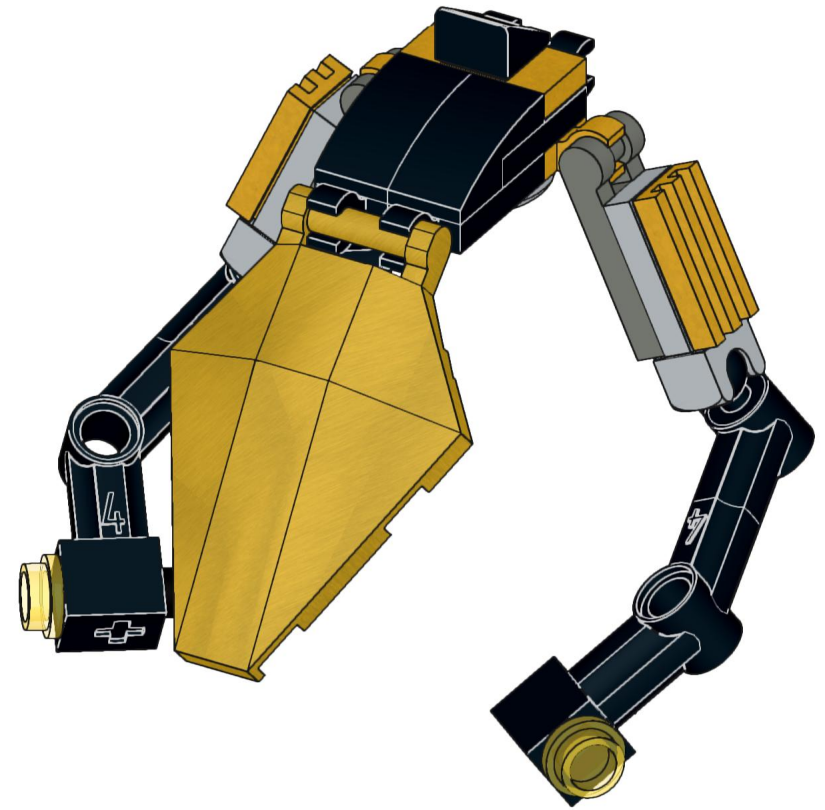
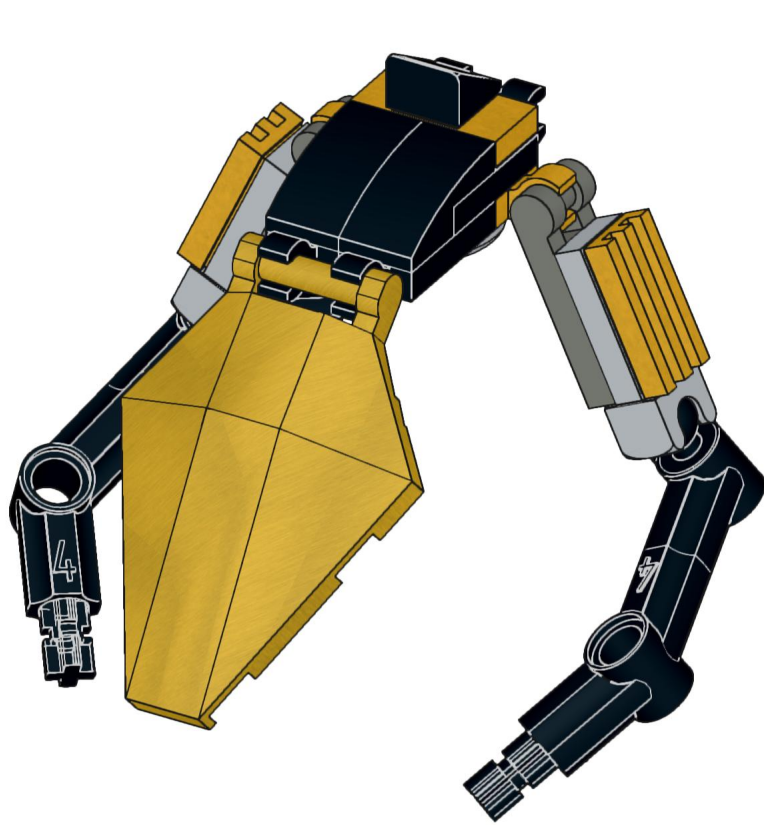
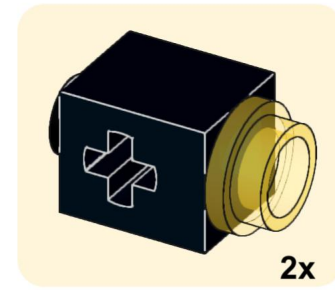
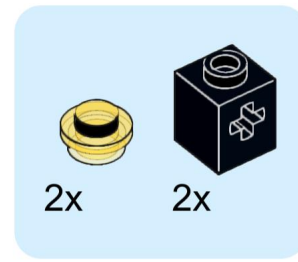
15

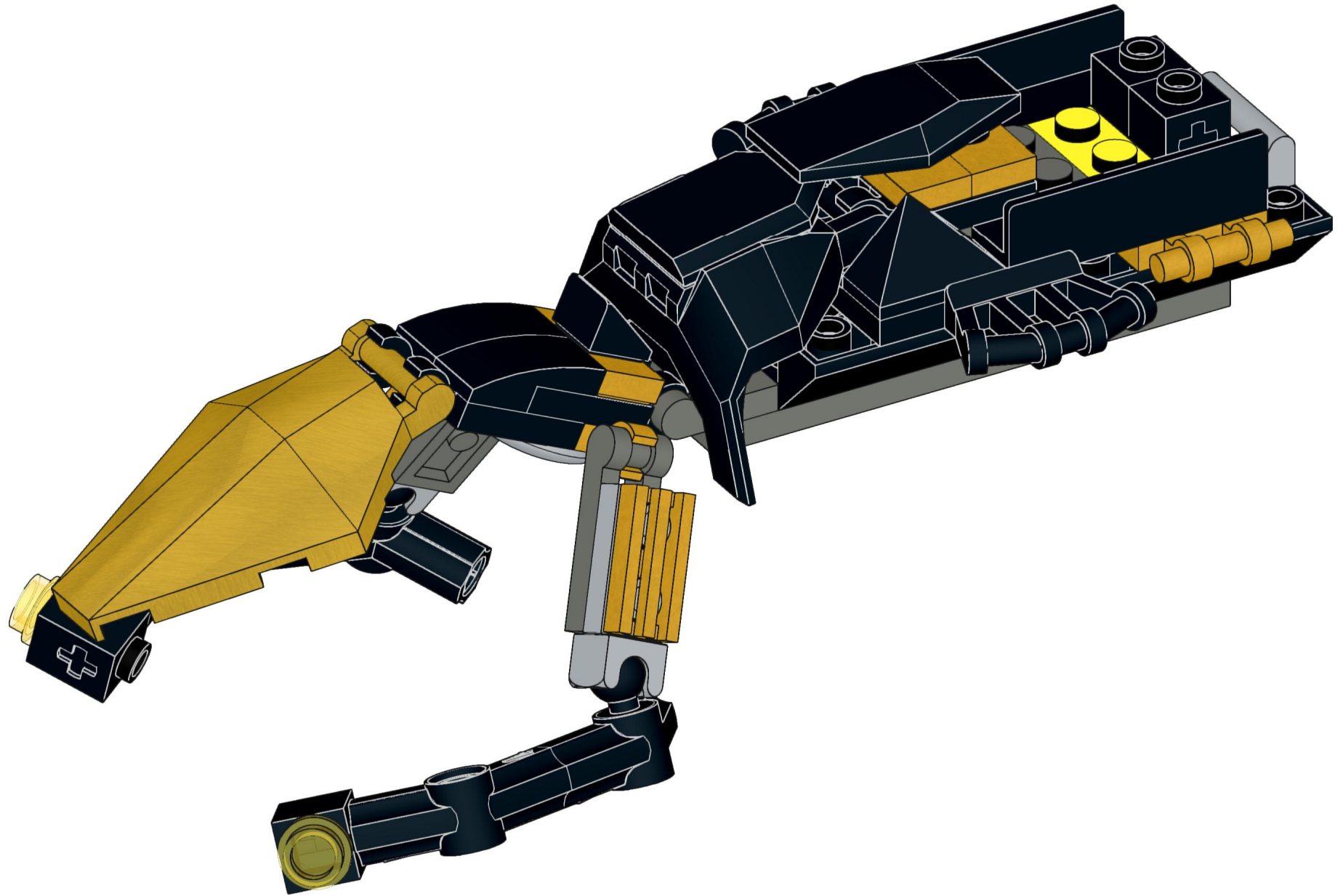


16

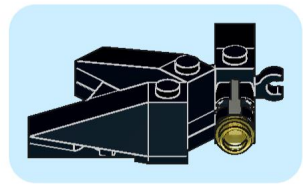
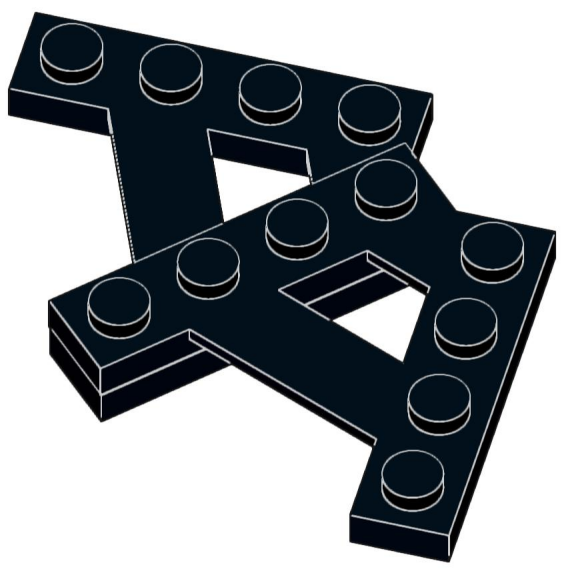
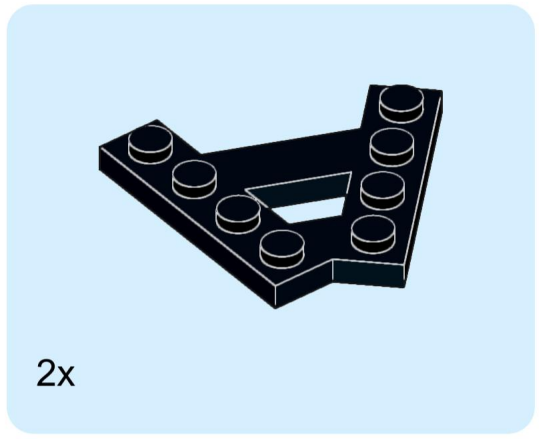


17

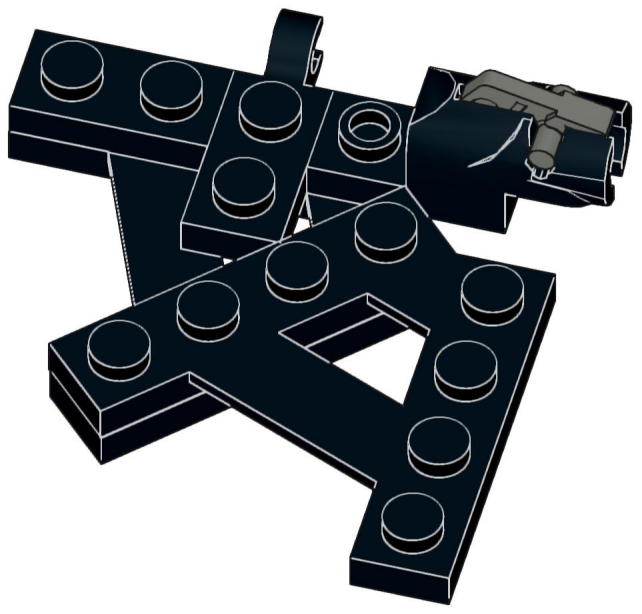
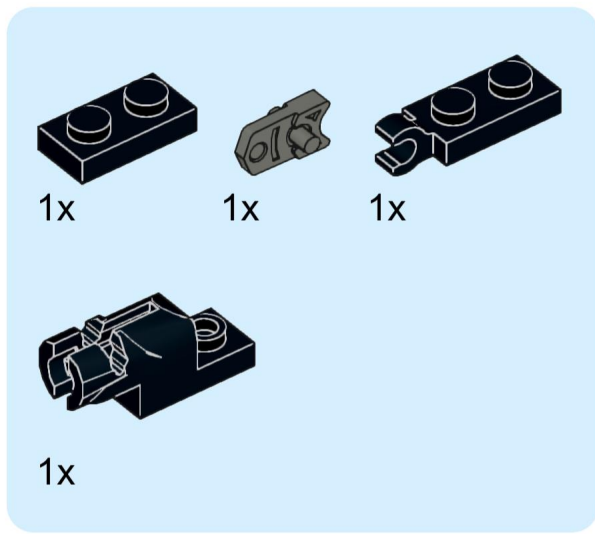




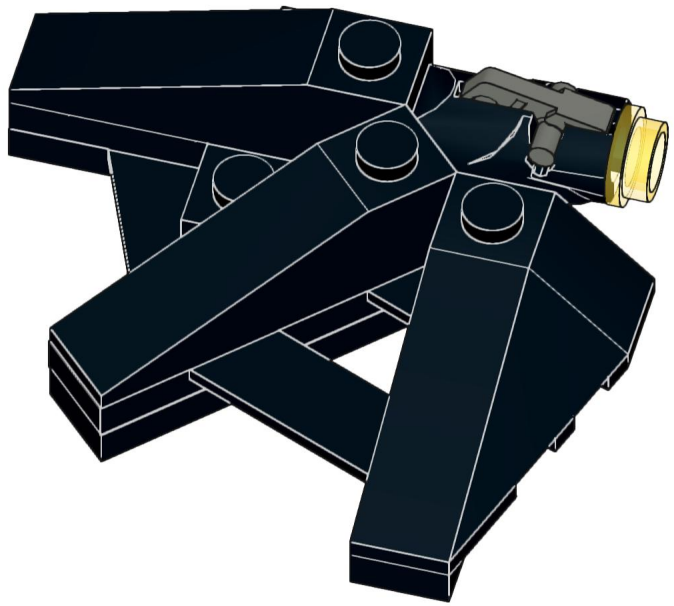
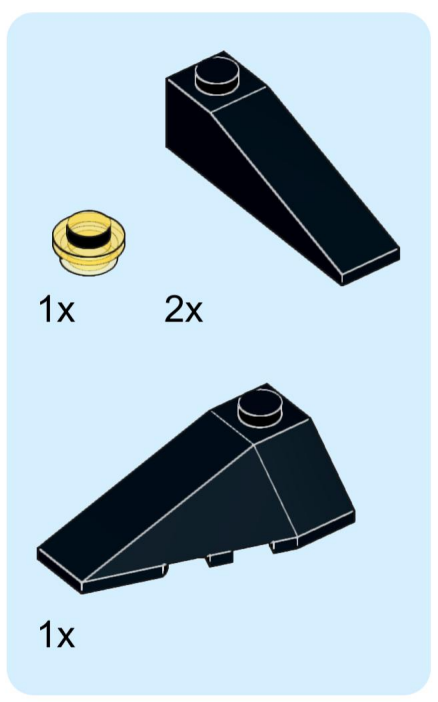
19



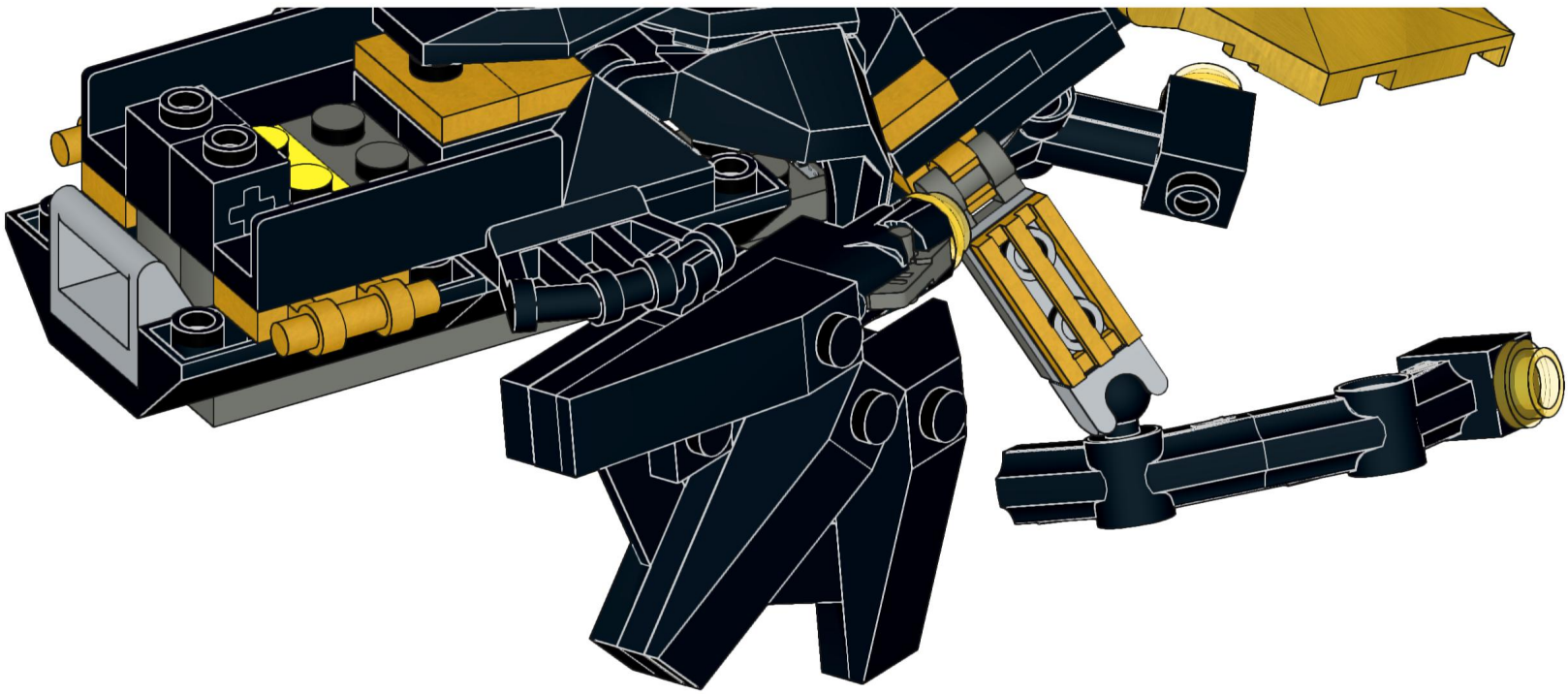
20



21

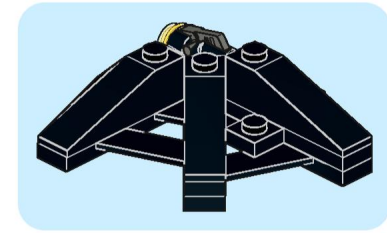
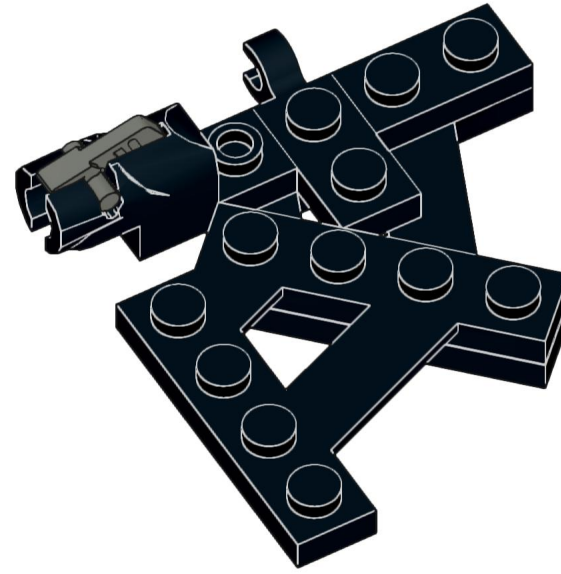
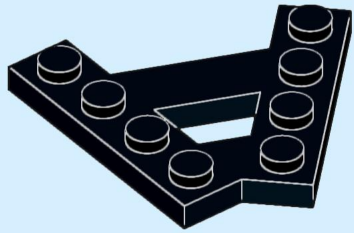
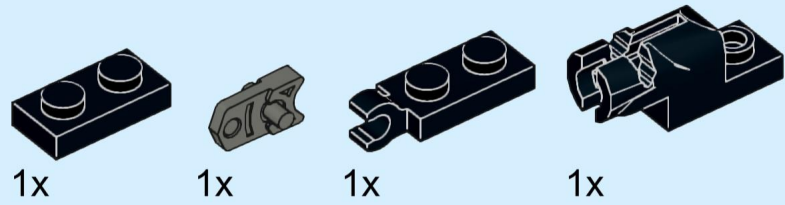


22

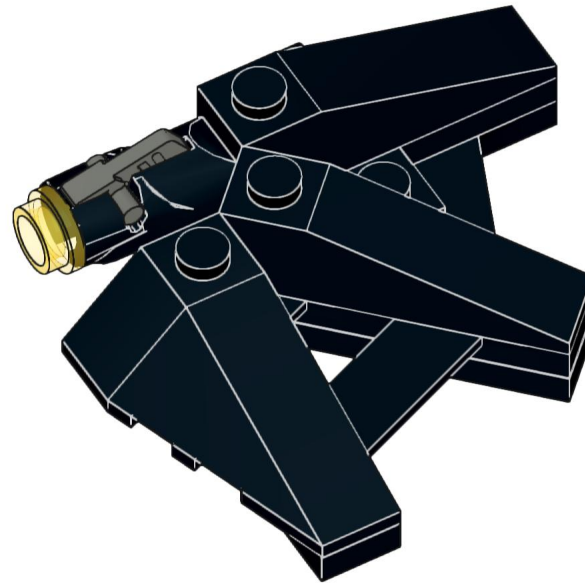
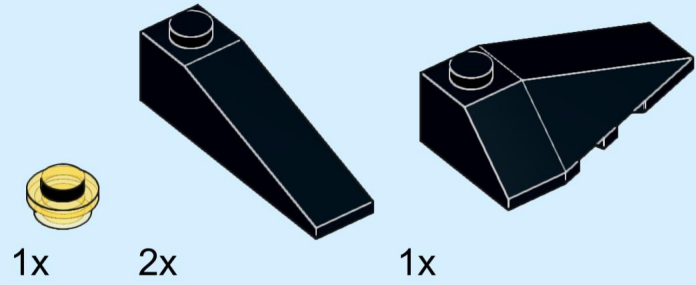


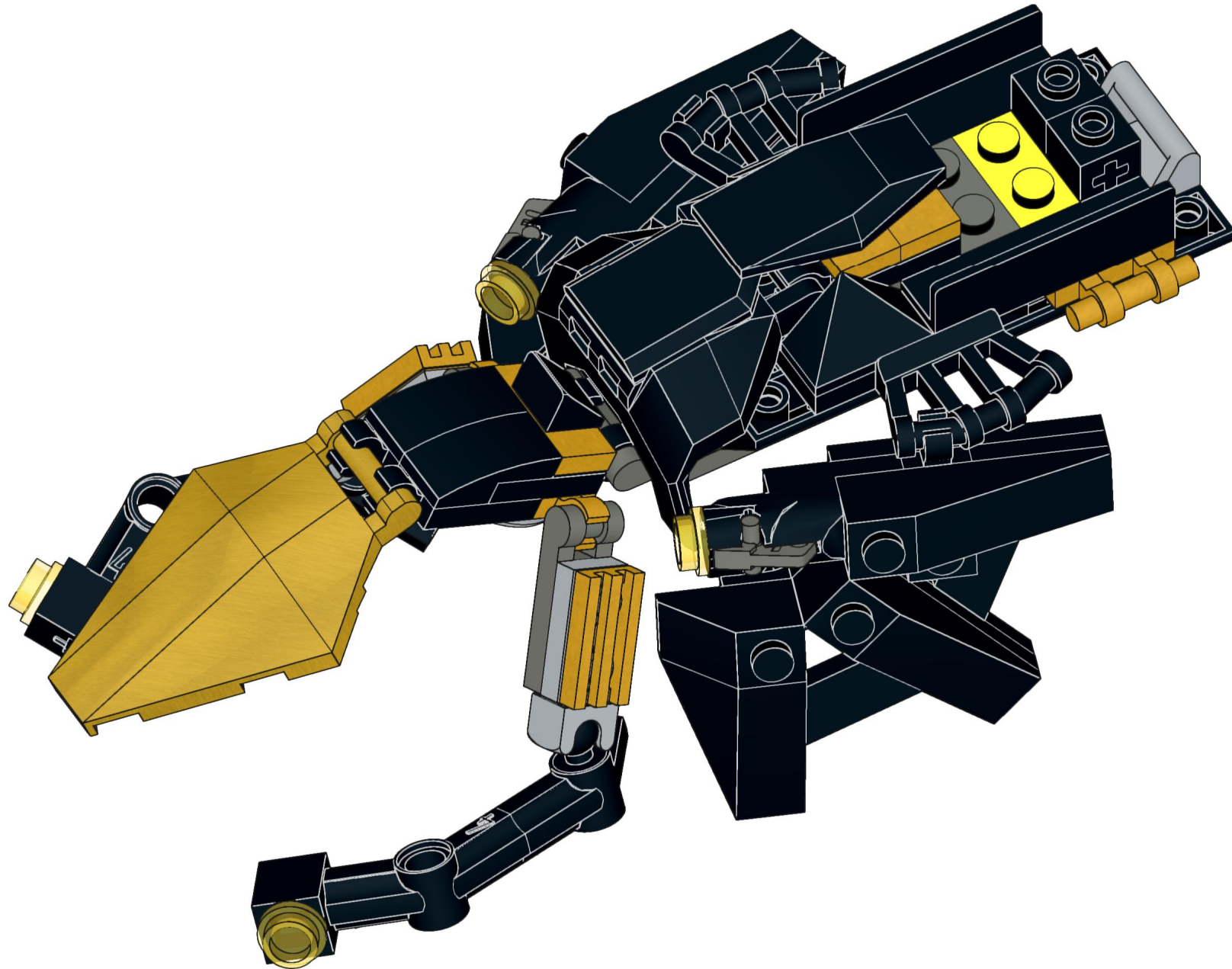


23

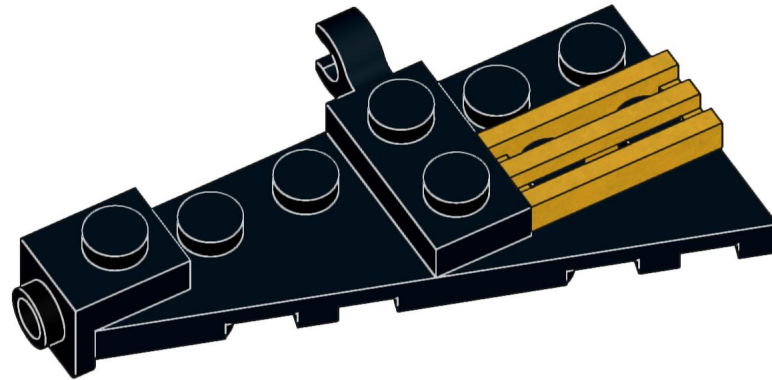
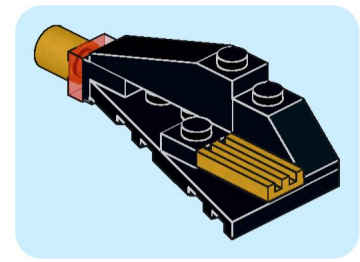
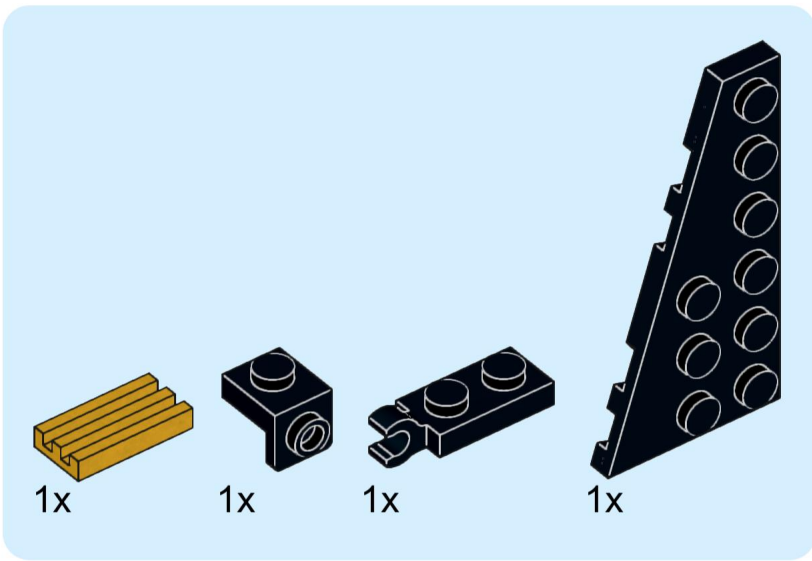


24

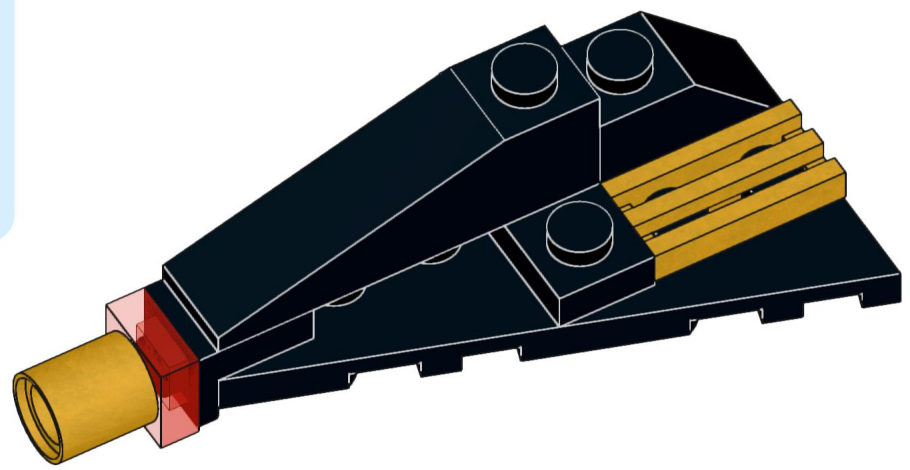
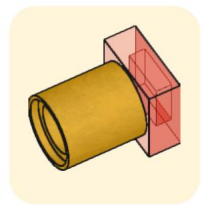
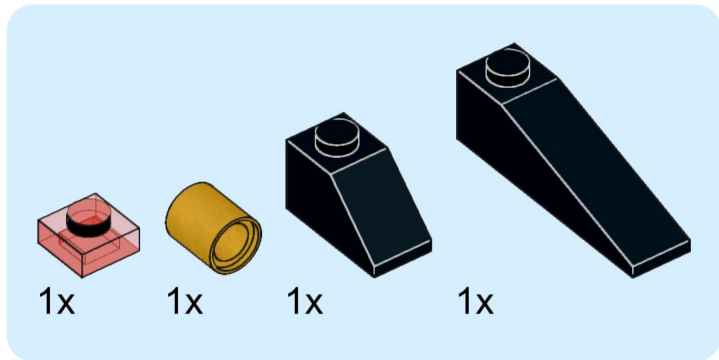




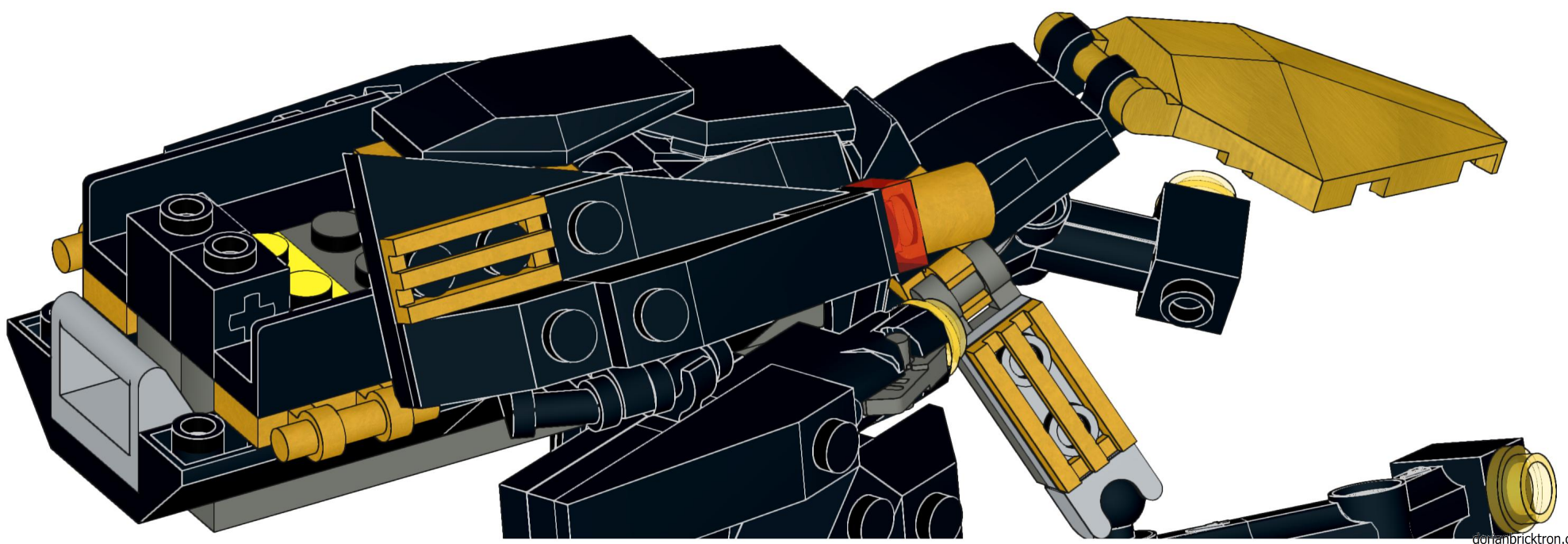
26

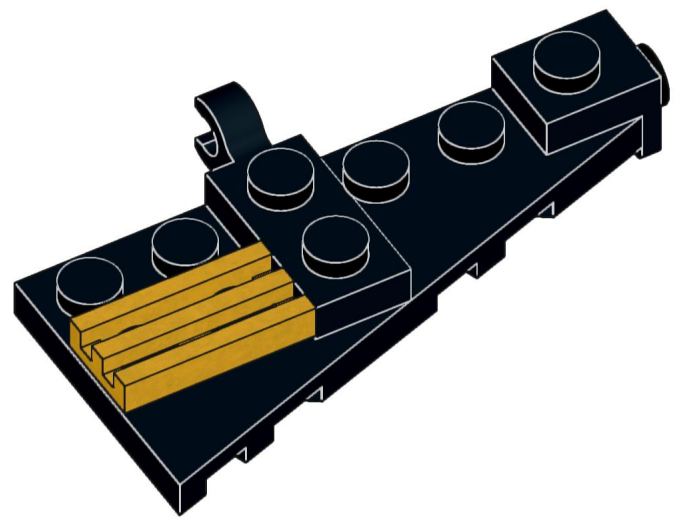
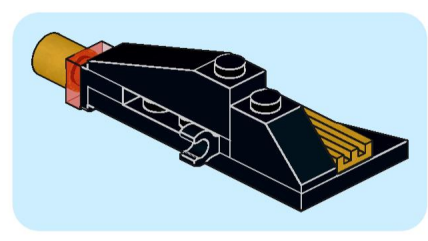
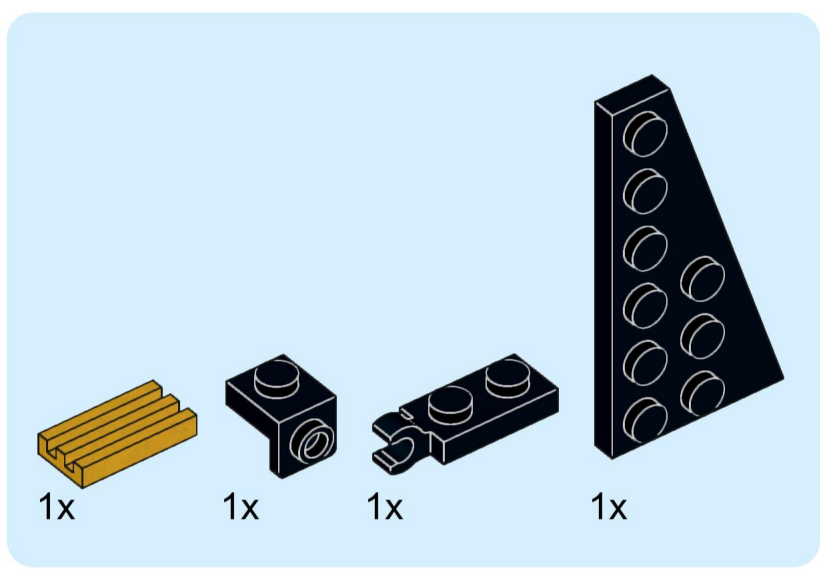


27

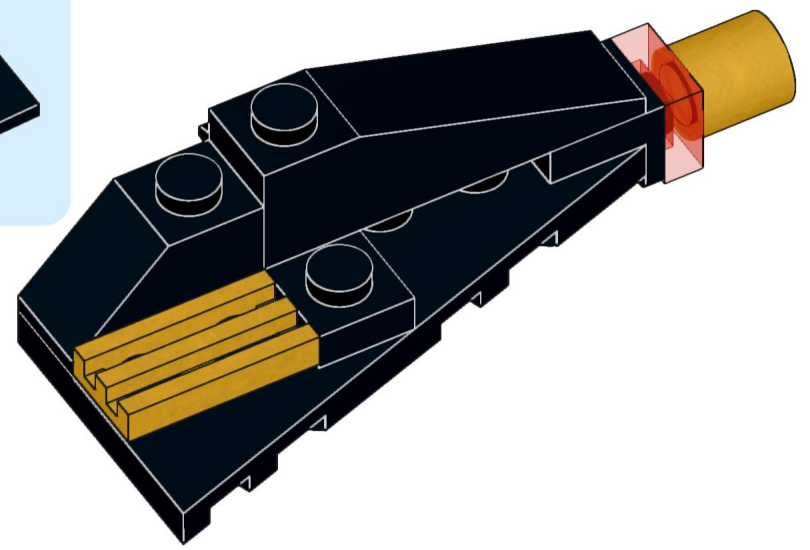
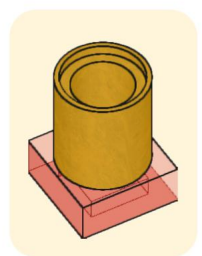
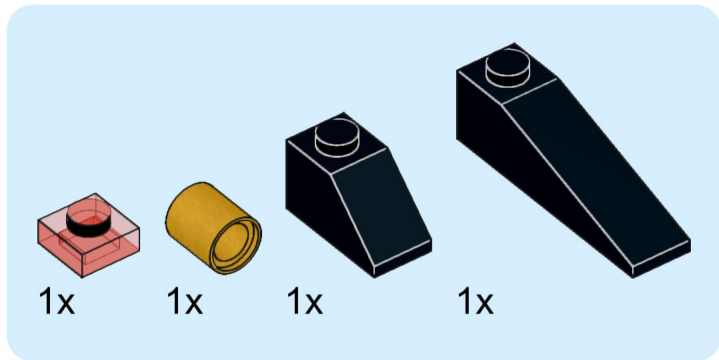


28

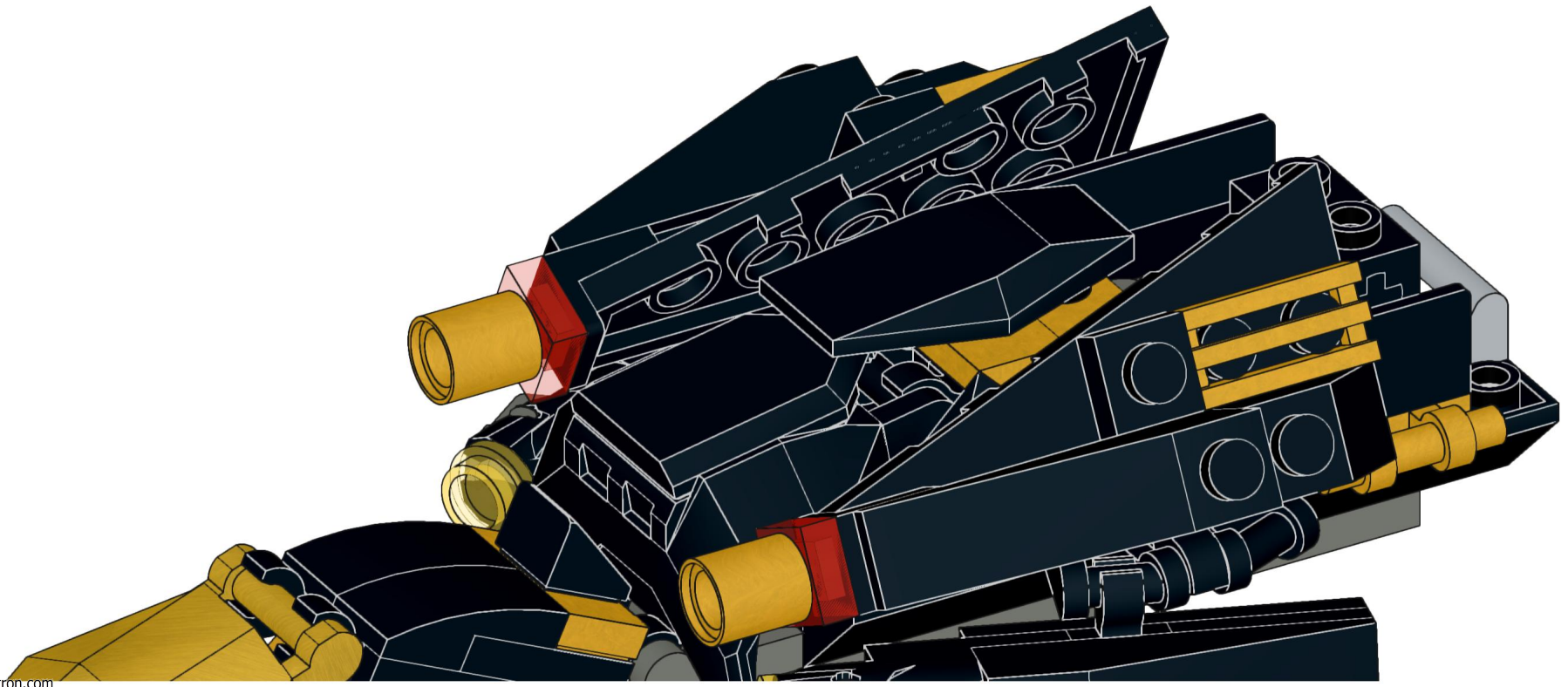




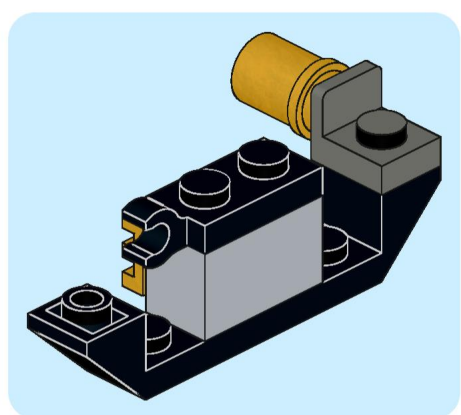
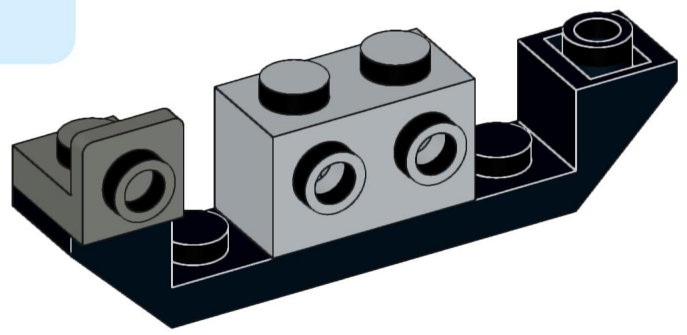
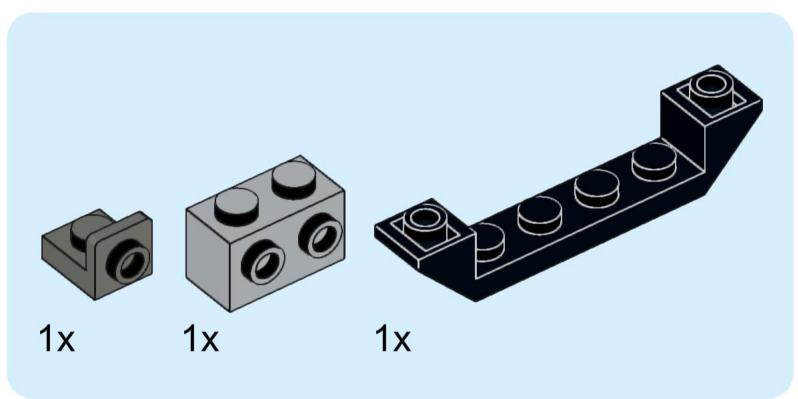
30



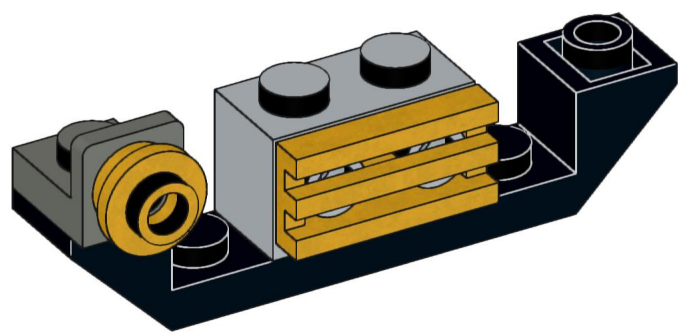
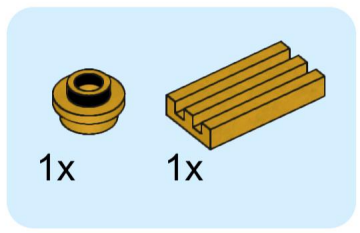
31



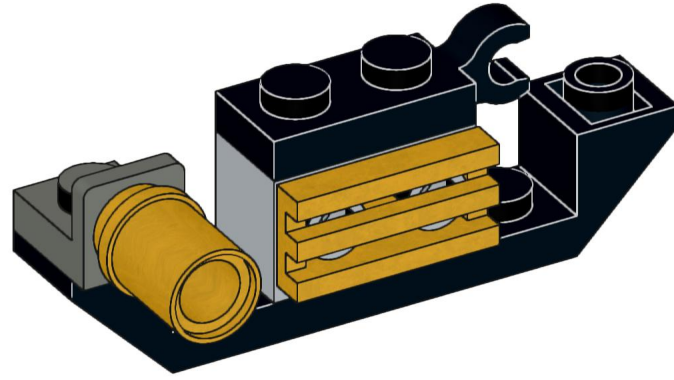
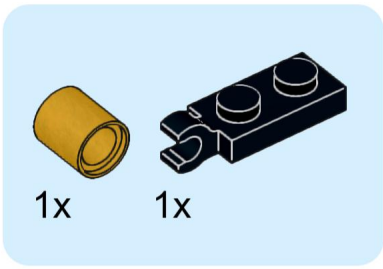
32



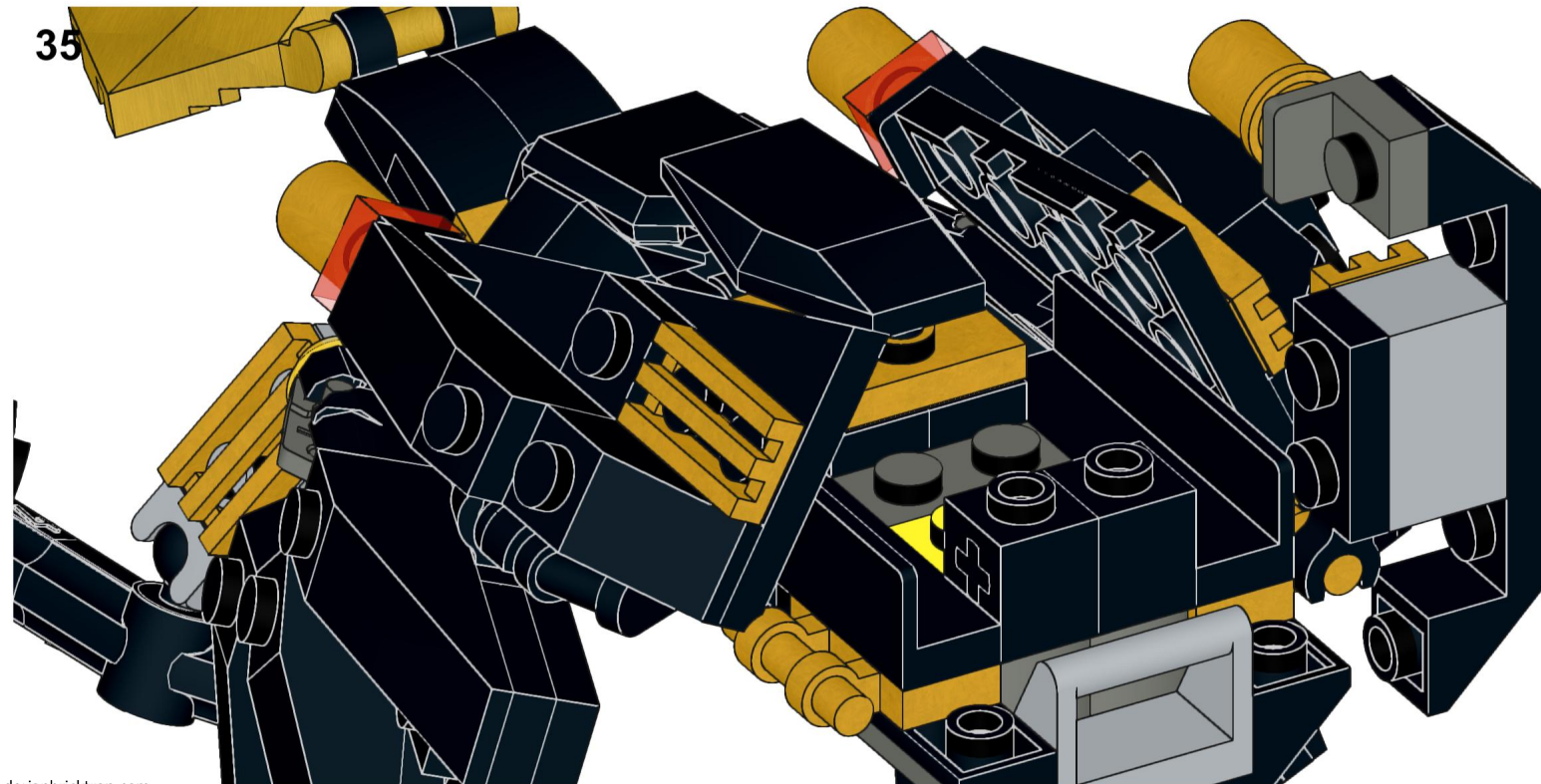
33



34

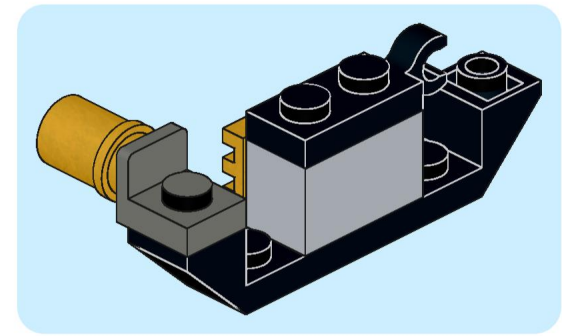
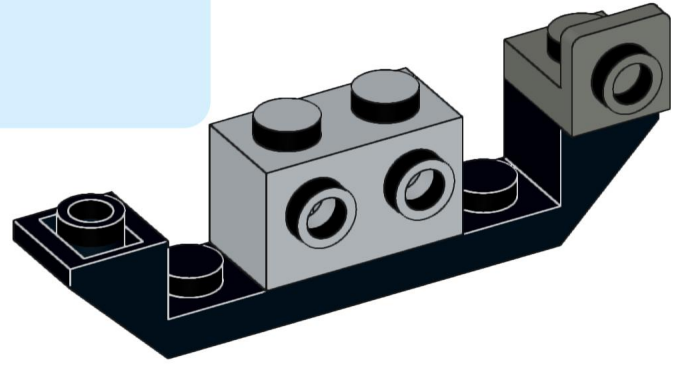
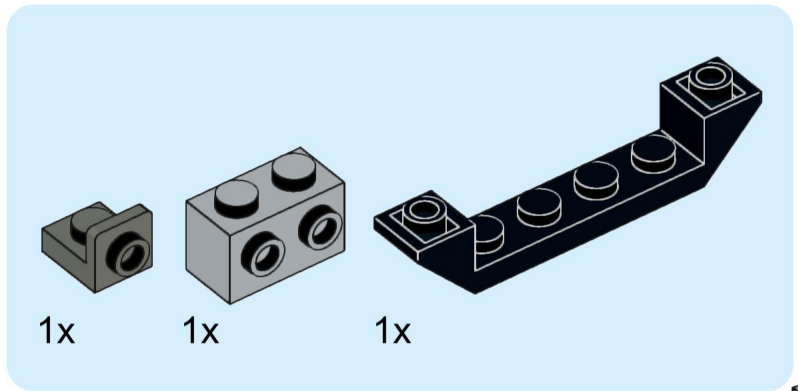


35

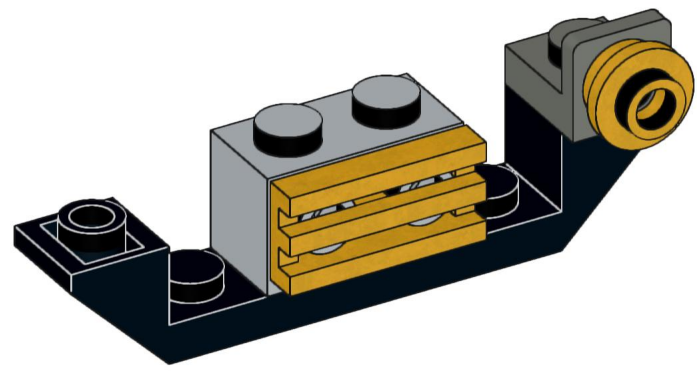
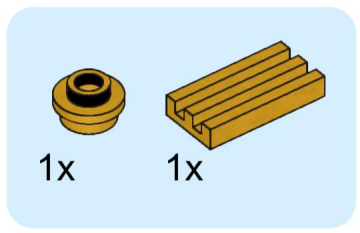




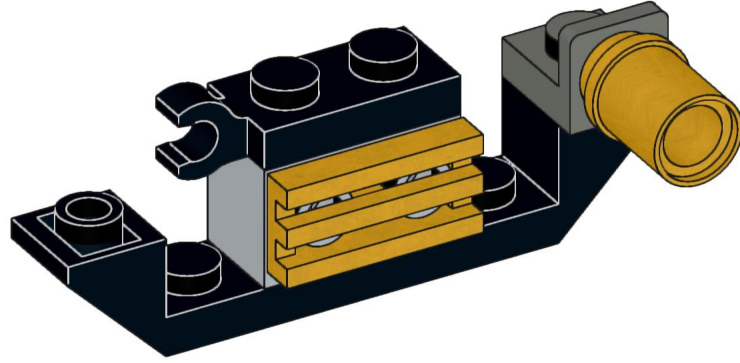
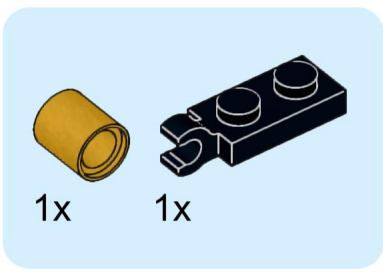
36



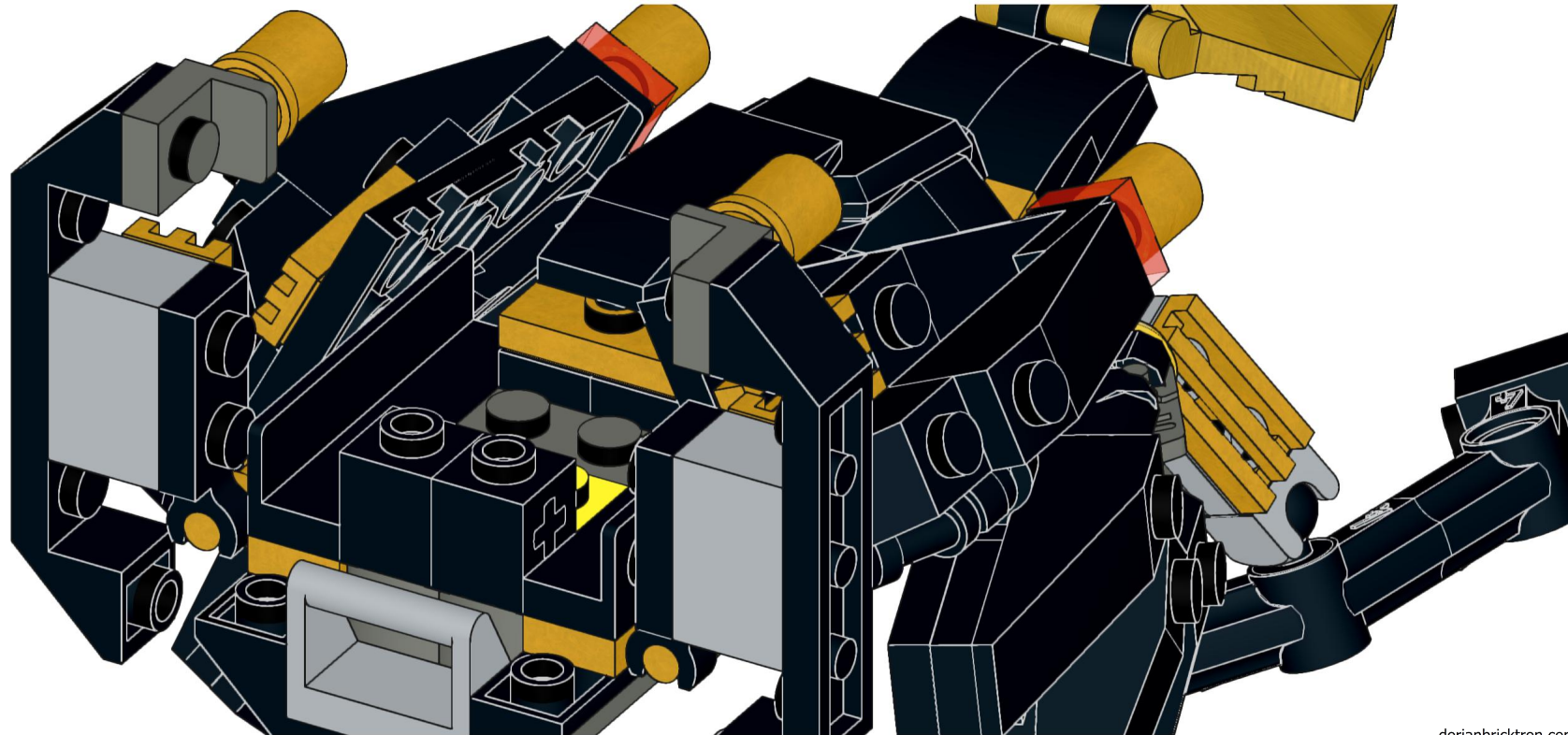
37



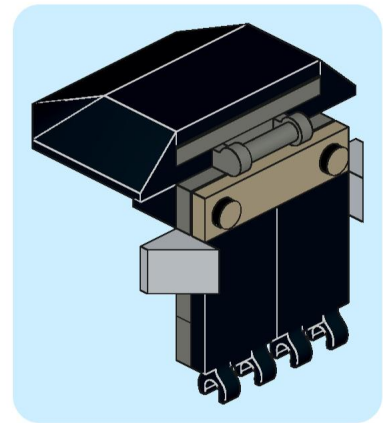
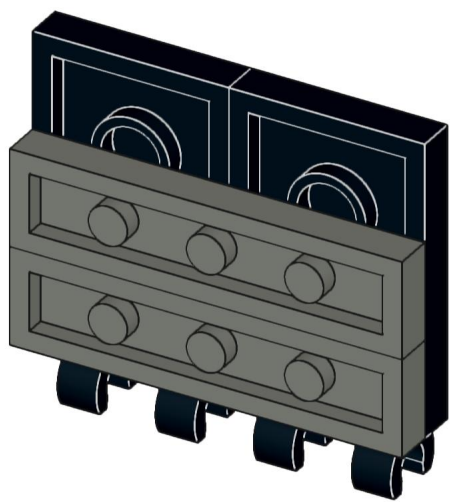
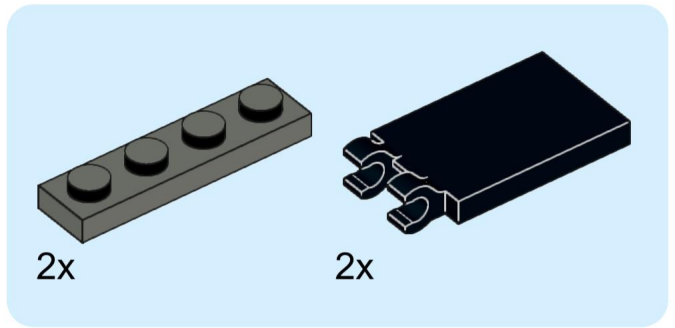
38



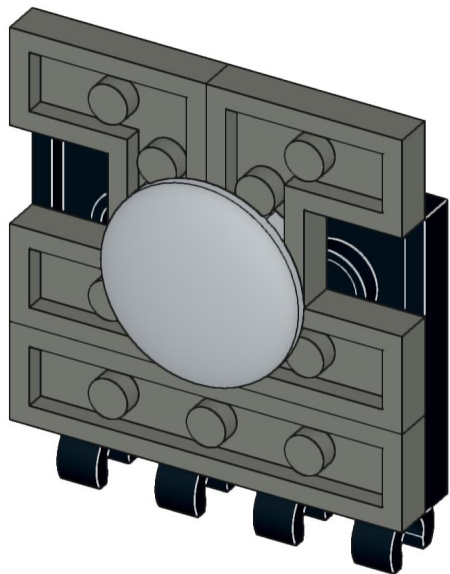
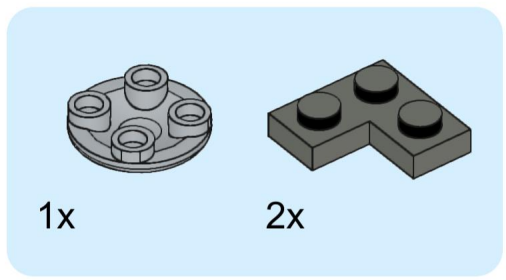
39



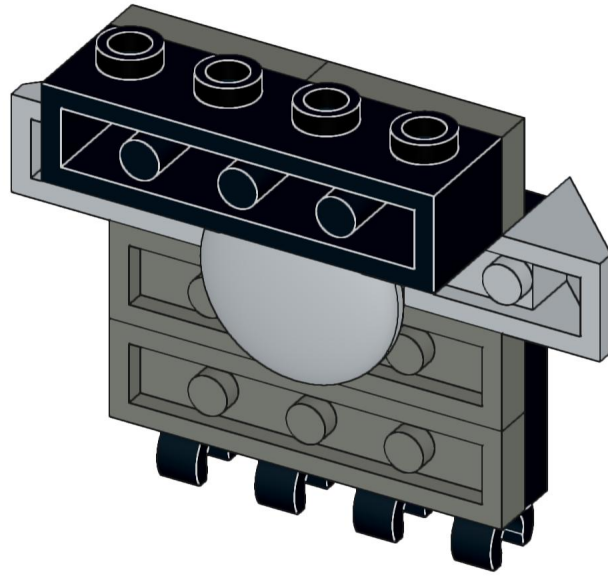
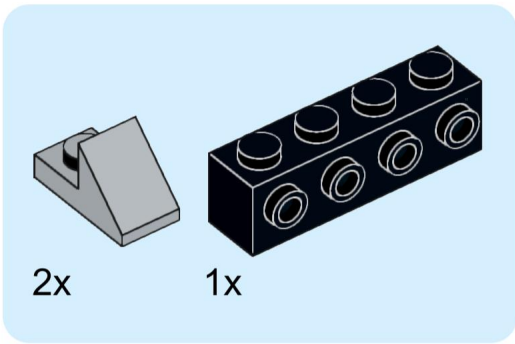
40



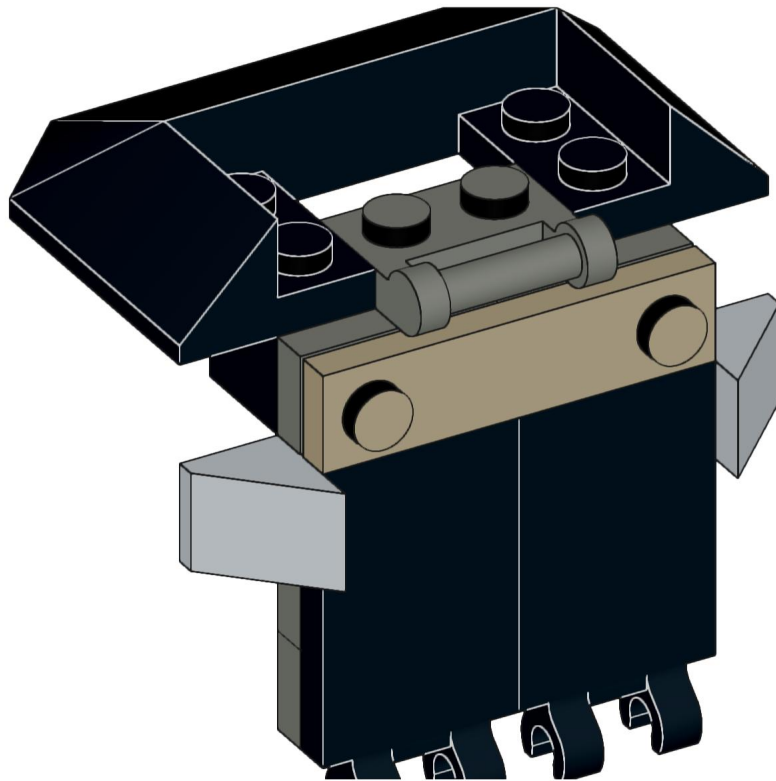
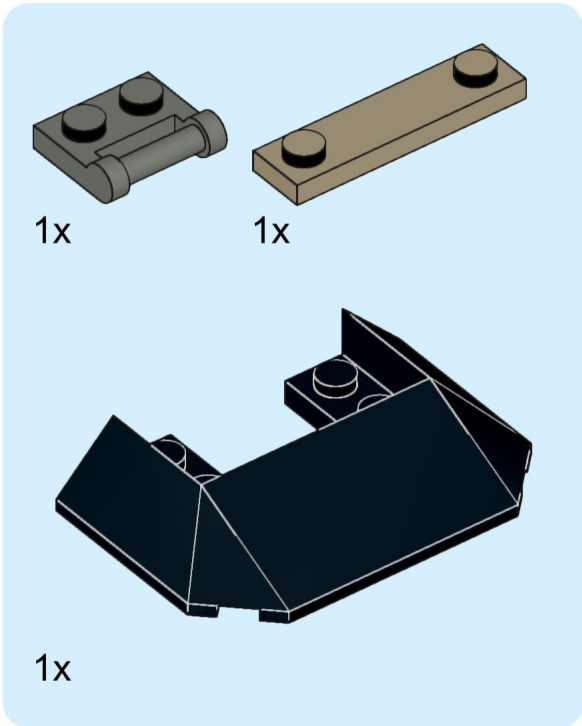
41



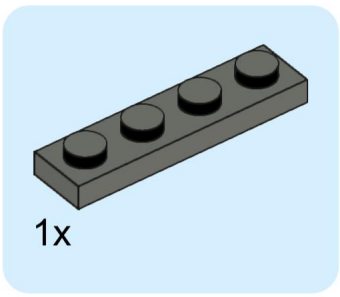
42



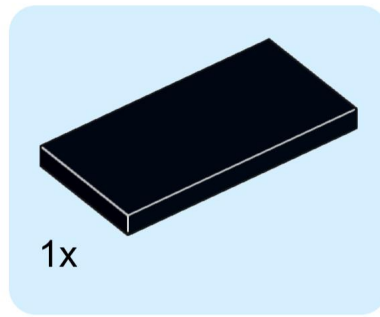
43



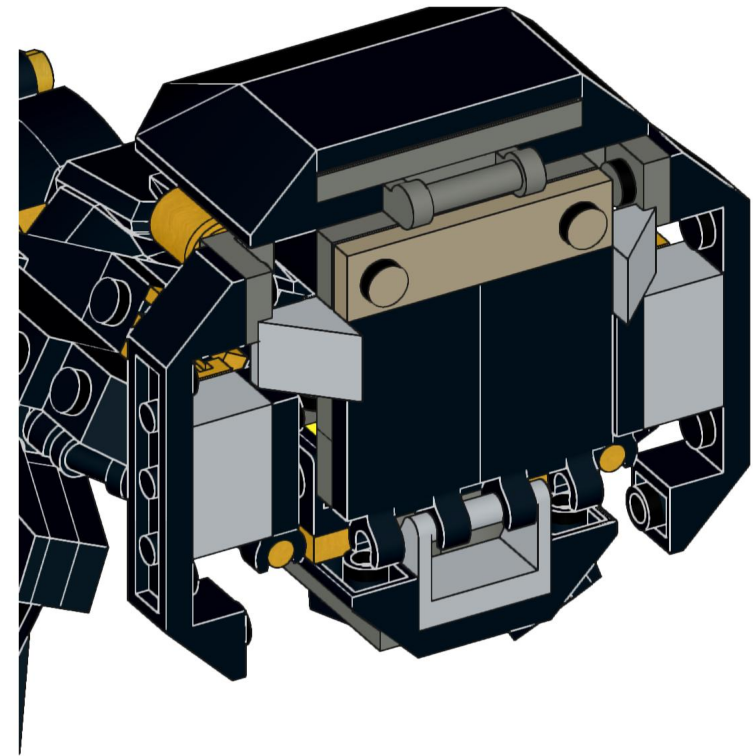
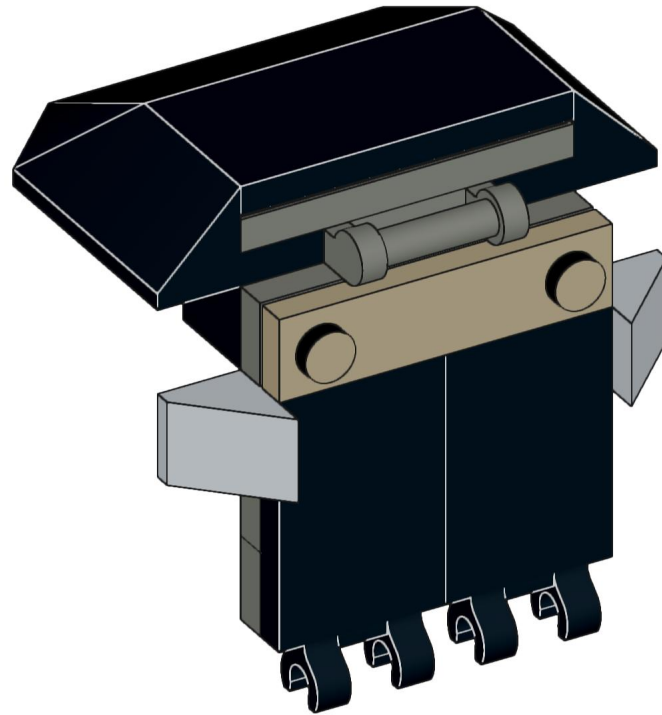
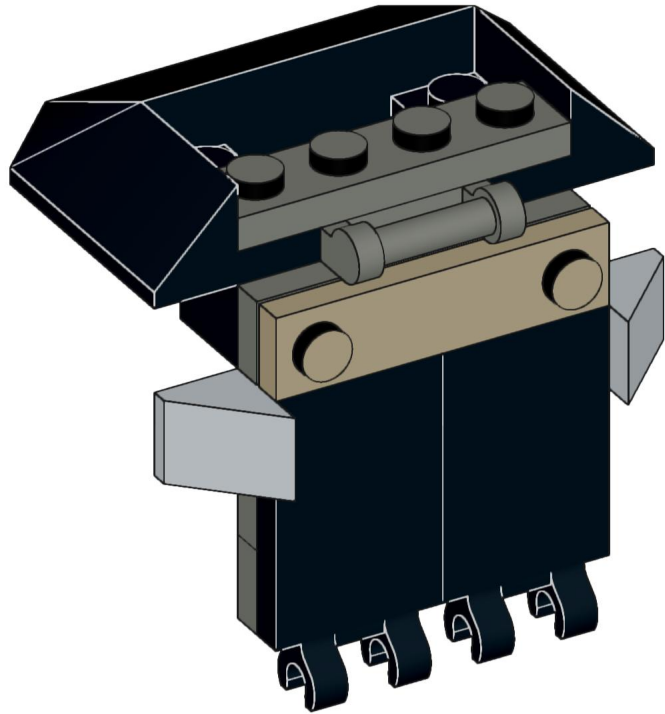
44

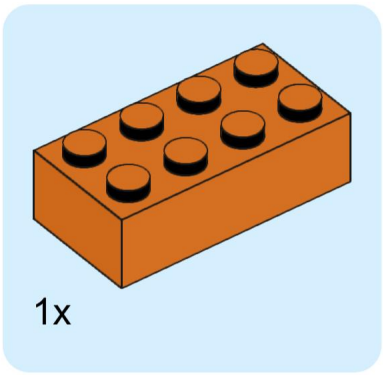


45

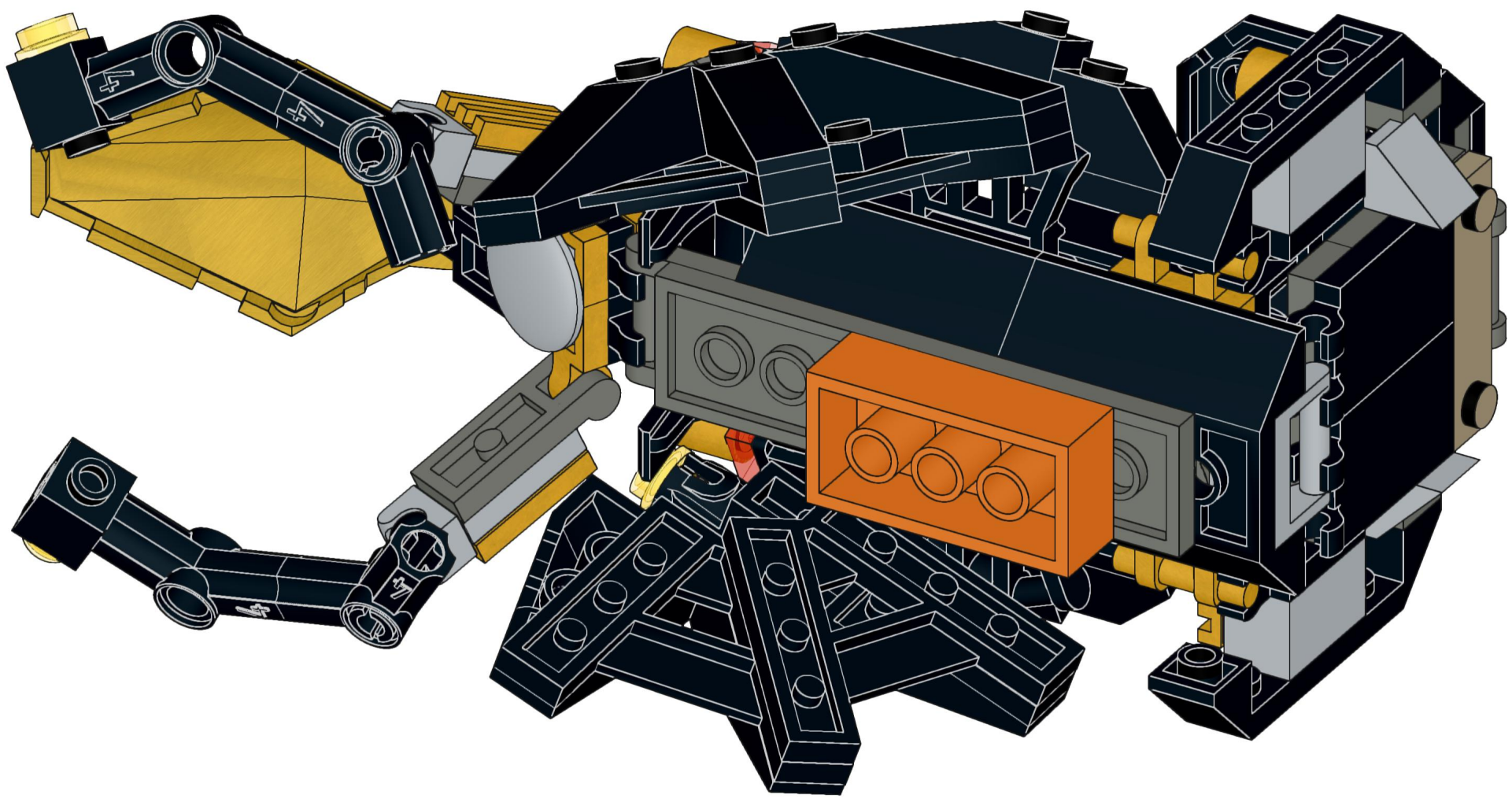


46

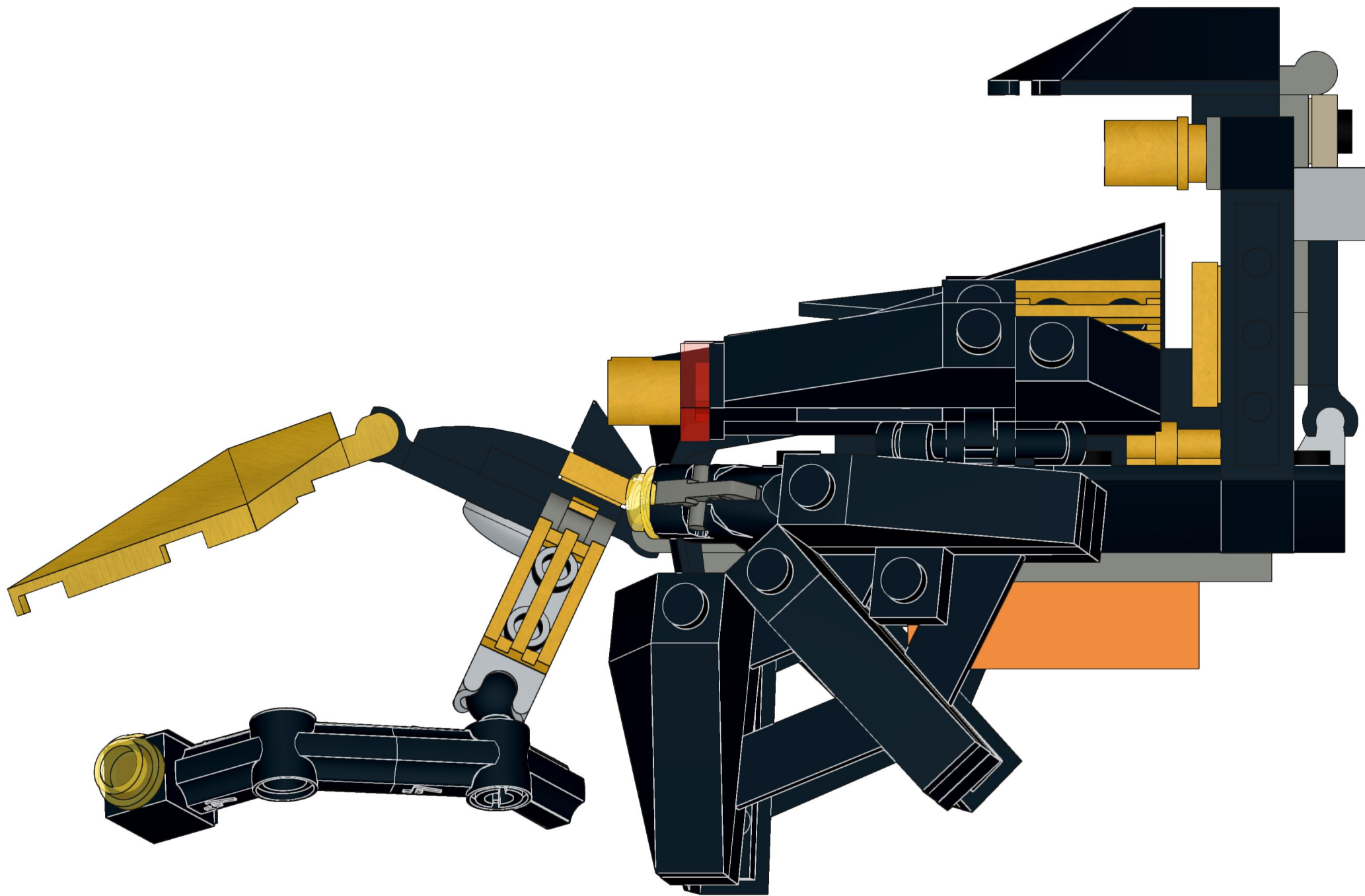




(DINO)

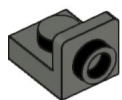




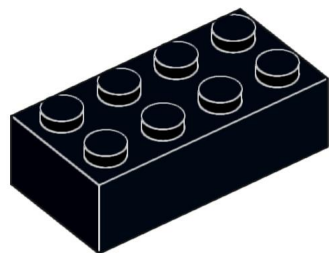




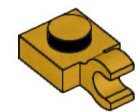
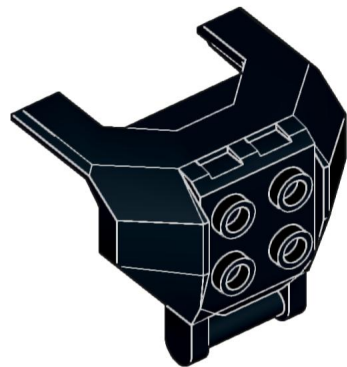




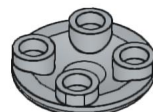
2x  
36840, 85



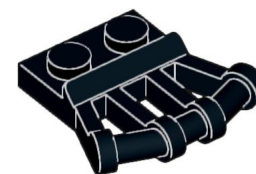
1x  
3001, 11



2x  
61252, 115



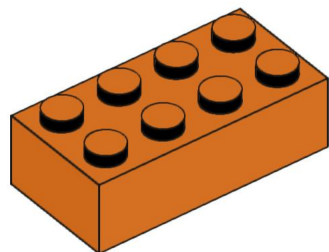
2x  
2654, 86



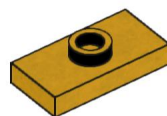
2x  
92692, 11



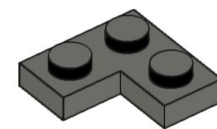
2x  
36841, 11



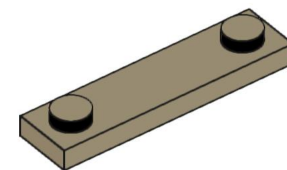
1x  
27167, 11



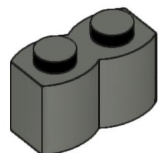
3x  
15573, 115



2x  
2420, 85

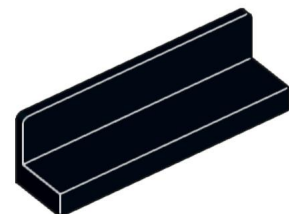


1x  
41740, 69

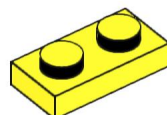


1x  
30136, 85

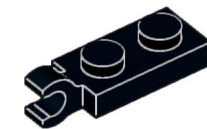
1x  
3001, 150



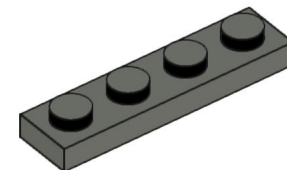
2x  
30413, 11



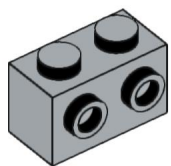
1x  
3023, 103



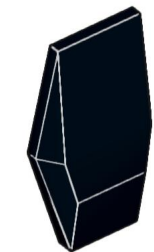
12x  
63868, 11



3x  
3710, 85



2x  
11211, 86



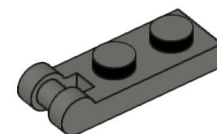
1x  
28220, 11



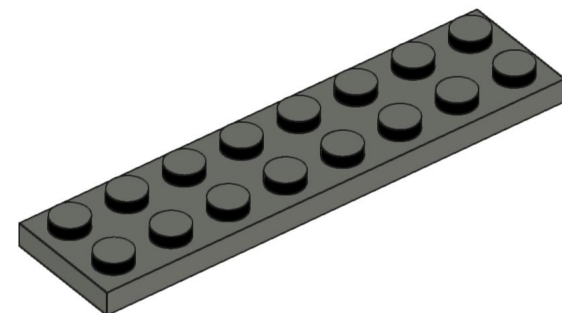
4x  
4073, 19



4x  
3023, 11



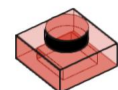
2x  
60478, 85



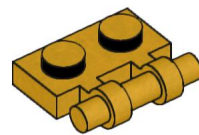
1x  
3034, 85



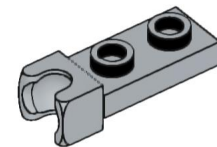
1x  
30414, 11



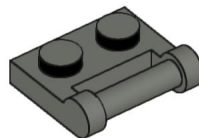
2x  
3024, 17



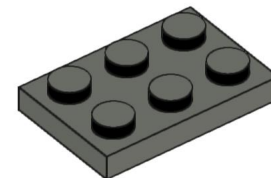
2x  
2540, 115



2x  
14418, 86



2x  
48336, 85



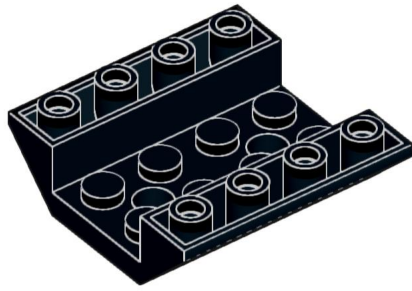
1x  
3021, 85



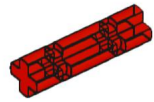
1x  
54200, 11



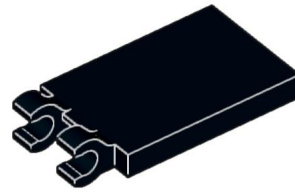
2x  
11477, 11



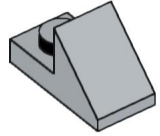
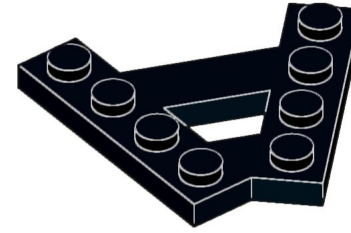
2x  
72454, 11



2x  
32062, 5



2x  
30350b, 11



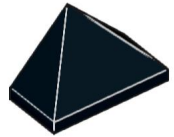
2x  
92946, 86



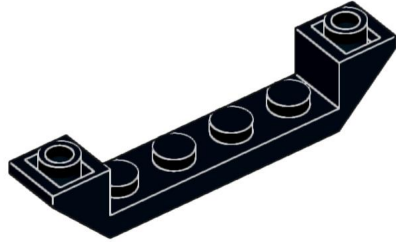
3x  
32062, 11



4x  
15706, 11



2x  
15571, 11

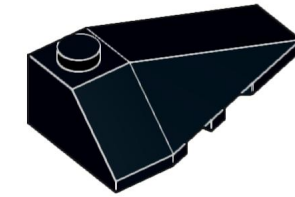


2x  
52501, 11

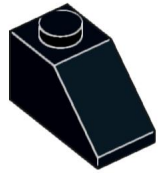


4x  
32192, 11

1x  
87079, 11



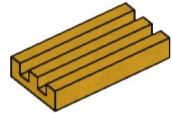
1x  
54384, 11



2x  
3040, 11

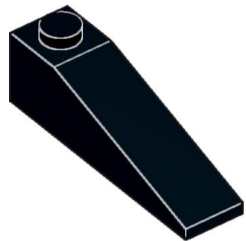


4x  
18654, 115



6x  
2412b, 115

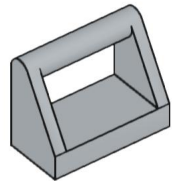
1x  
43711, 11



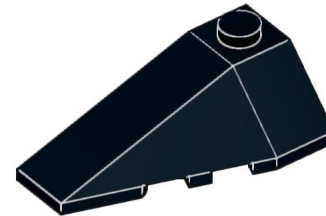
6x  
60477, 11



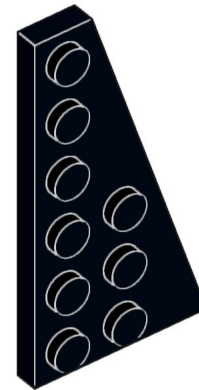
4x  
73230, 11



1x  
2432, 86



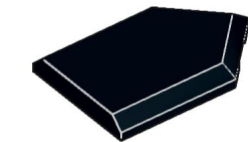
1x  
43710, 11



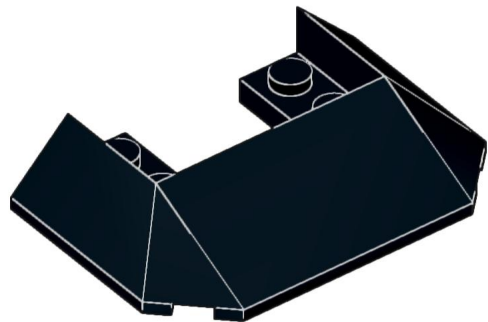
1x  
54383, 11



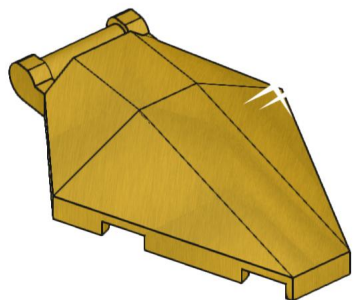
2x  
6628a, 11



1x  
22385, 11



1x  
13269, 11



1x  
27262, 65



2x  
15392, 85



2x  
15403, 11